

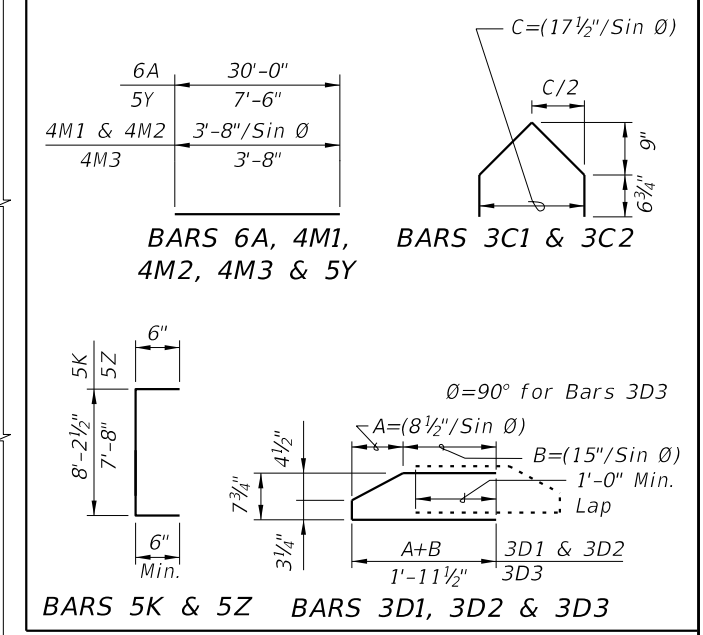
C:\projects\standards\structures\current\ready\4release\2012book_draft\20096-1of2.dgn
 11:50:29 AM
 rd960rh
 12/30/2011

CONVENTIONAL REINFORCING BAR BENDING DETAILS

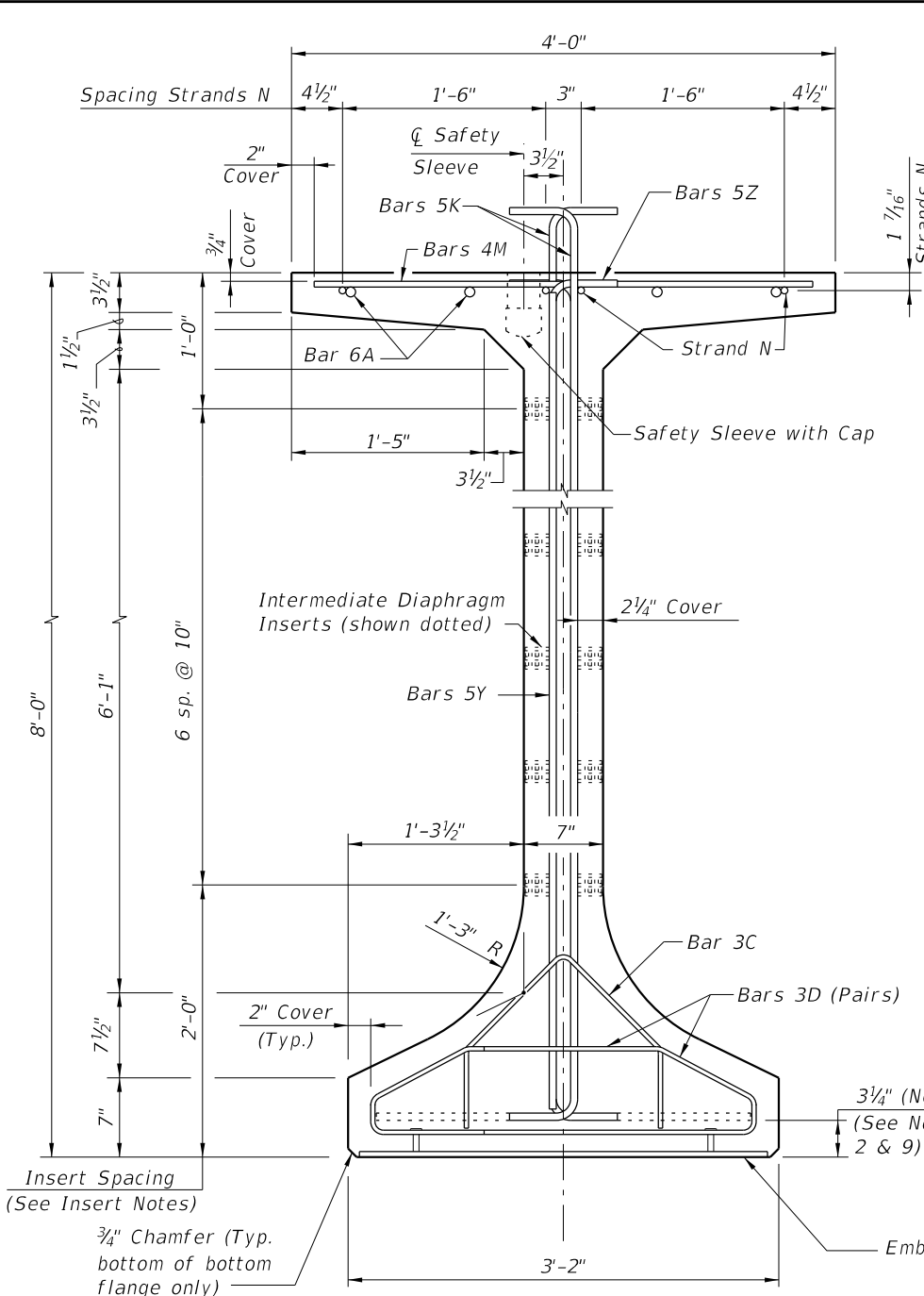
BILL OF REINFORCING STEEL

MARK	NOTE NUMBERS	SIZE	NUMBER REQUIRED	LENGTH (NOTE 1)
A	—	6	8	30'-0"
C1	9, 10 & 11	3	23 (End 1)	Varies
C2	9, 10 & 11	3	23 (End 2)	Varies
D1	9, 10, 11 & 14	3	46 (End 1)	Varies
D2	9, 10, 11 & 14	3	46 (End 2)	Varies
D3	9 & 14	3	See Table	4'-3"
K	2, 9, 11 & 13	5	See Table	9'-2"
M1	9 & 10	4	21 (End 1)	Varies
M2	9 & 10	4	21 (End 2)	Varies
M3	9	4	See Table	3'-8"
N	3 & 4	1/2" Ø Strand	4	Dim. L
Y	9 & 11	5	16	7'-6"
Z	2, 9, 11 & 13	5	12	8'-8"

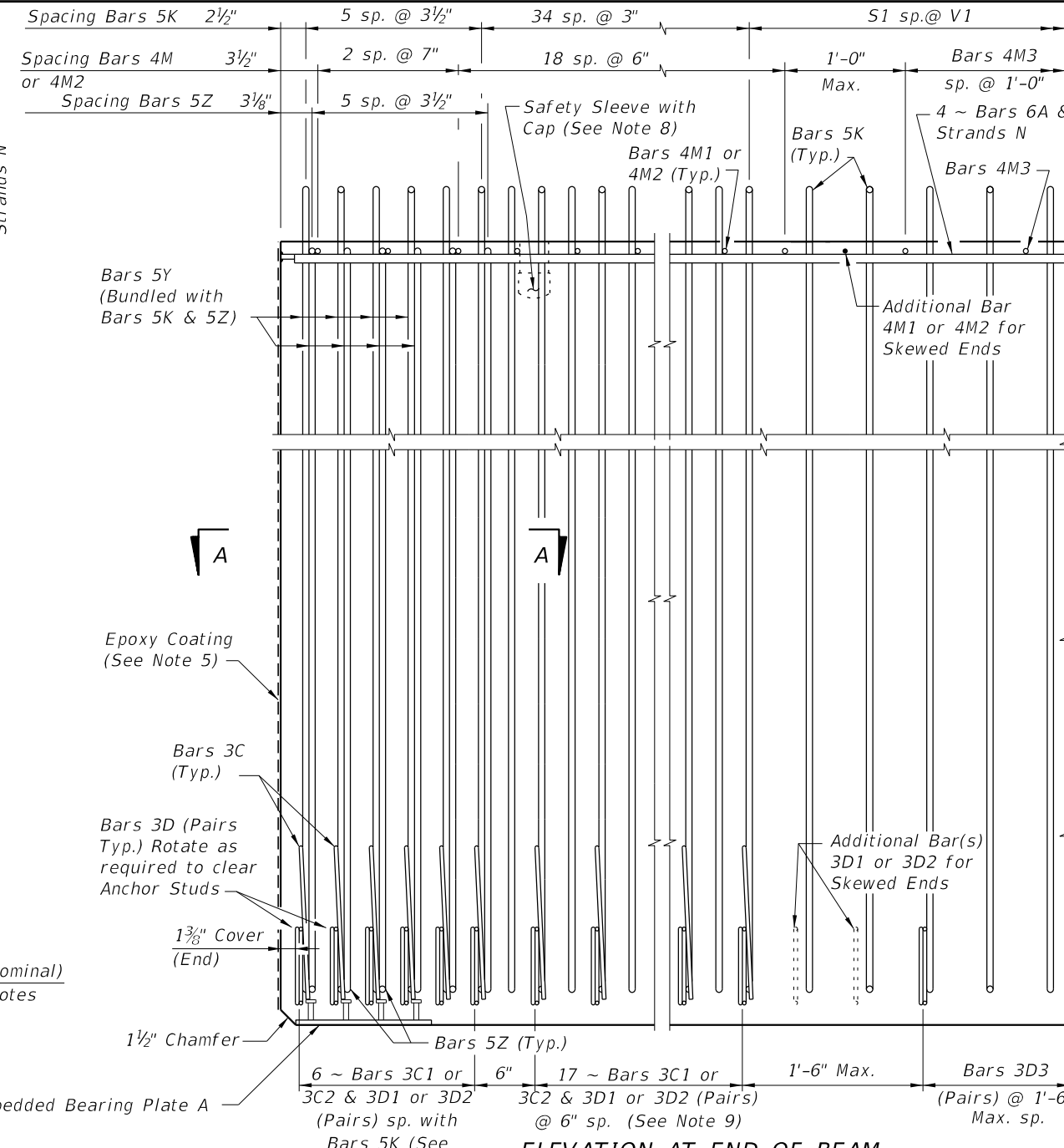
BENDING DIAGRAMS (See Note 1)



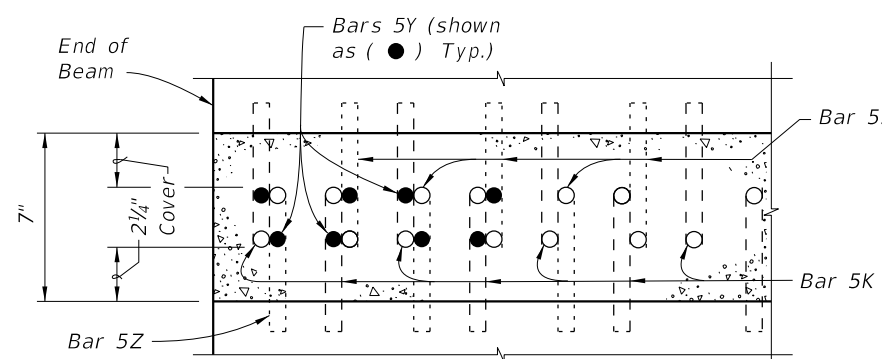
NOTES:
 A. Work this Index with Index No. 20010 - Typical Florida-I Beam Details and Notes and the Florida-I Beam - Table of Beam Variables in Structures Plans.
 B. For referenced notes, see Index No. 20010.
 C. For Dimensions A, B, C, D, L, R & V1 and number of spaces S1 thru S4, see Florida-I Beam - Table of Beam Variables in Structures Plans.



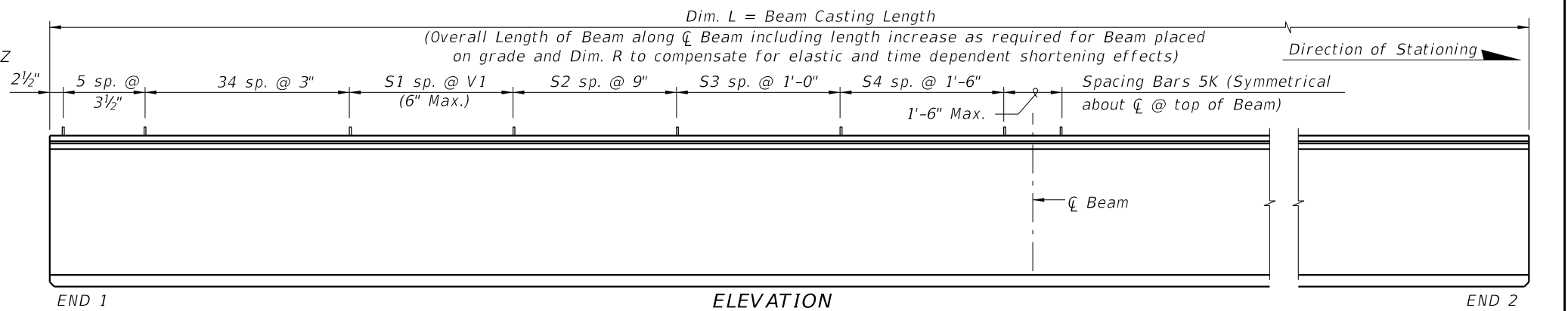
END VIEW



**ELEVATION AT END OF BEAM
(Flanges Not Shown For Clarity)
(End 1 Shown, End 2 Similar)**



**SECTION A-A FOR CONVENTIONAL REINFORCING
(Showing Bars 5K, 5Y & 5Z Only)**

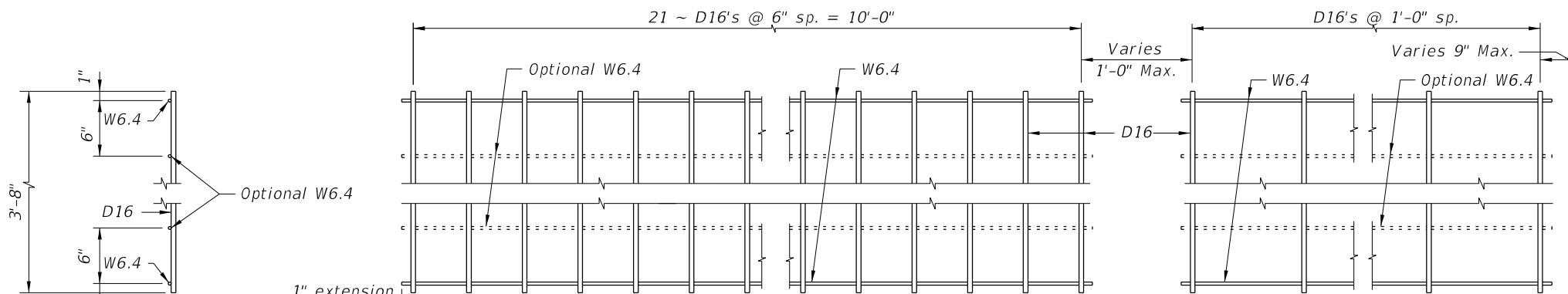


END 1

ELEVATION

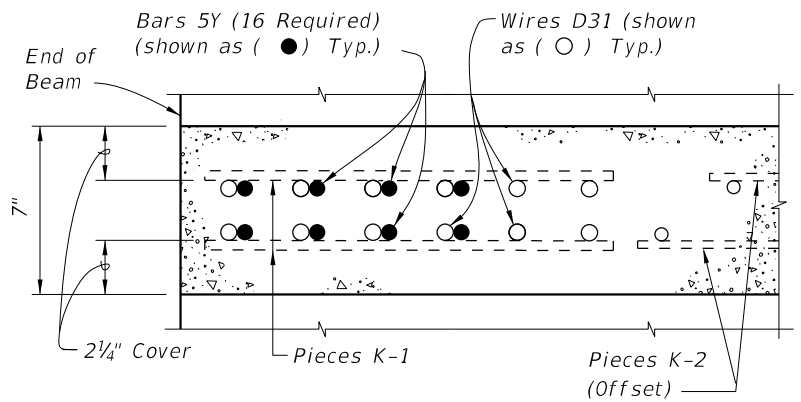
END 2

ALTERNATE REINFORCING STEEL (WELDED WIRE REINFORCEMENT) DETAILS

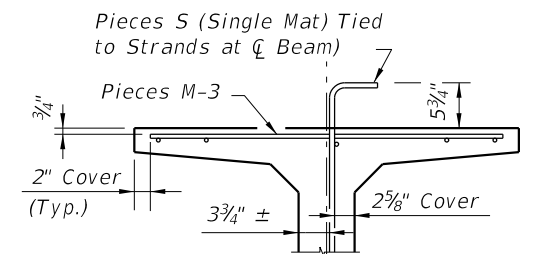


PLAN VIEW
PIECE M-1
(2 Required)

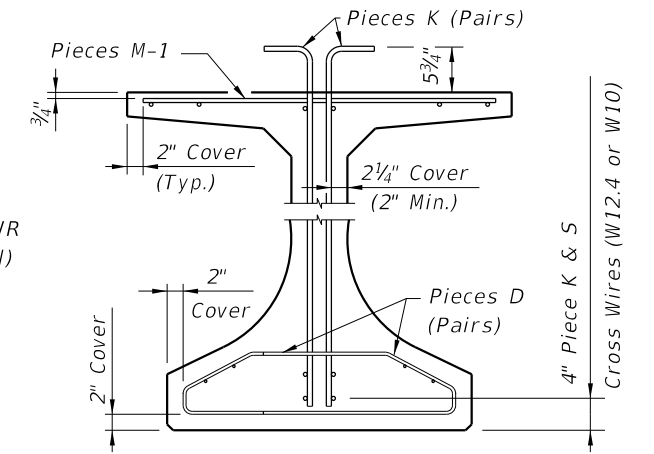
PLAN VIEW
PIECE M-3
(2 Required)



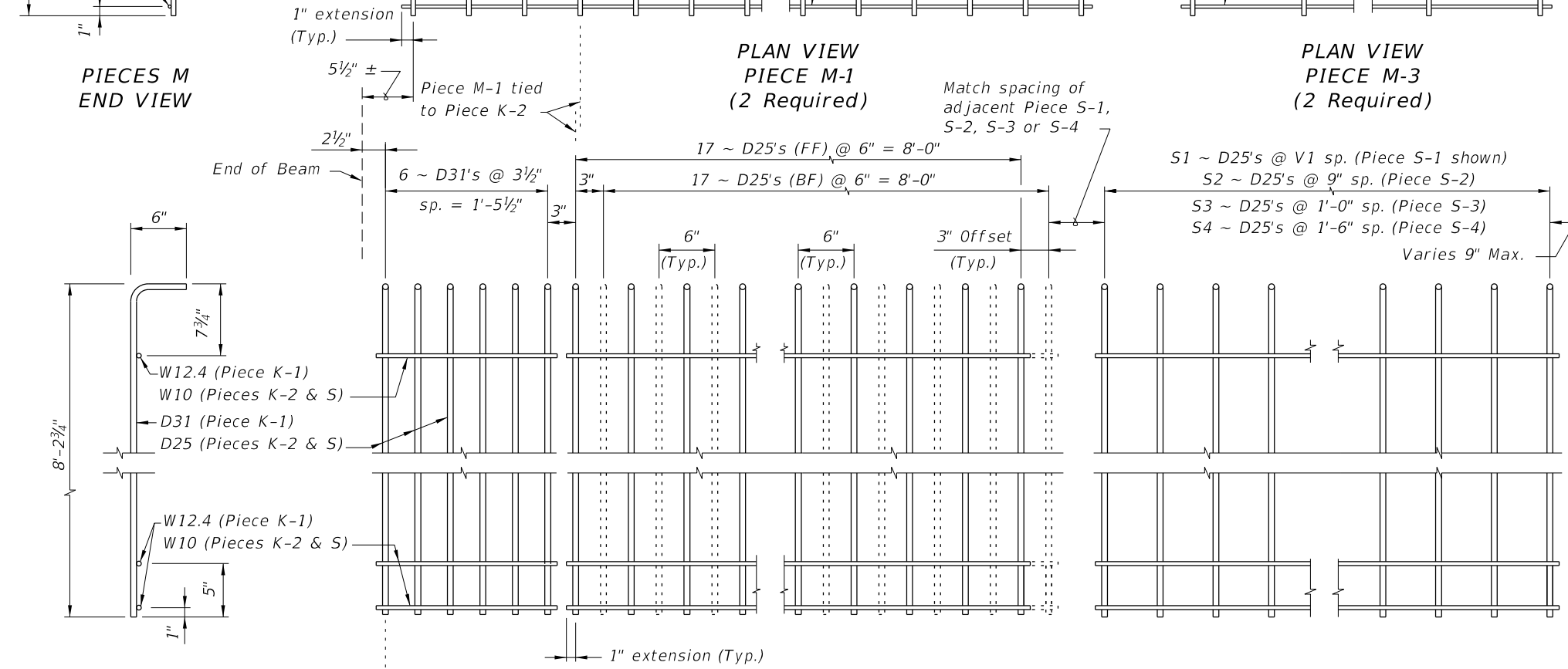
SECTION A-A
FOR WELDED WIRE REINFORCEMENT



PARTIAL SECTION AT CENTER BEAM



PARTIAL BEAM END VIEW
(Conventional Reinforcing Bars A, C, Y and Strands N not Shown for Clarity)



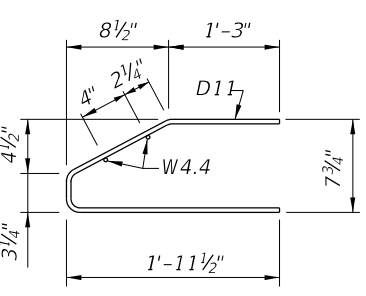
PIECE K-1
(Aligned EF)
(4 Required ~ 2 Pairs)

PIECE K-2
(FF Shown Solid, BF Shown Dashed)
(4 Required)

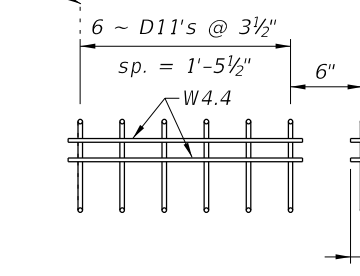
PIECE S-1, S-2, S-3 or S-4
(2 Required ~ Each Piece)



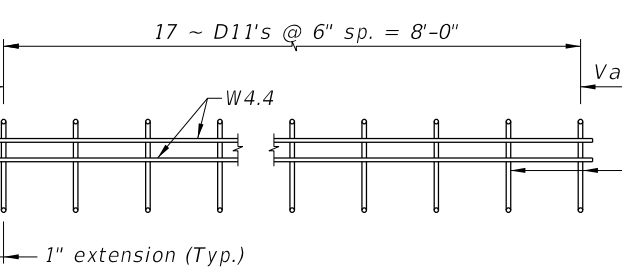
PIECES K & S
END VIEW



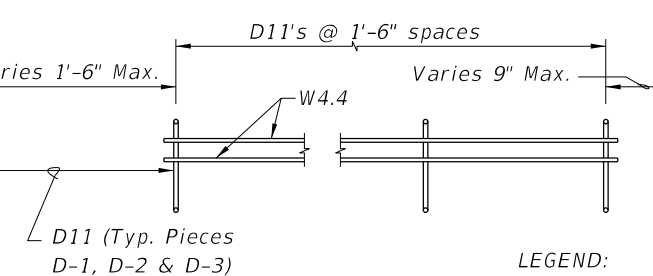
PIECES D
END VIEW



PIECE D-1
(4 Required ~ 2 Pairs)



PIECE D-2
(4 Required ~ 2 Pairs)



PIECE D-3
(4 Required ~ 2 Pairs)

LEGEND:
EF = Each Face
FF = Front Face
BF = Back Face

- NOTES:
- See Sheet 1 for placement details & Table of Beam Variables in Structures Plans for variables S1, S2, S3, S4 & V1.
 - Place Conventional Reinforcing Bars 6A & 3C as shown on Sheet 1. Place additional Bars 5Y as shown in Section A-A for Welded Wire Reinforcement. Bars 5Z will not be used with the WWR Option.
 - Pieces may be fabricated in multiple length sections.
 - For beams with skewed end conditions, Pieces D-1, D-2 & M-1 shall not be used; Conventional Reinforcing Bars D1, D2, C1, C2, M1 & M2 shall be used. See Index No. 20010 Skew Details and Note 9 for placement details. Shift Pieces K & Bars 5Y to accommodate skewed end conditions and align with Bars C and D.

12/30/2011 11:50:30 AM r0960rh C:\projects\standards\structures\current\yeady\4release\2012book_draft\20096-2of2.dgn

LAST REVISION 07/01/10	DESCRIPTION:		FDOT DESIGN STANDARDS FY 2012/2013	FLORIDA-I 96 BEAM - STANDARD DETAILS	INDEX NO. 20096	SHEET NO. 2
REVISION						