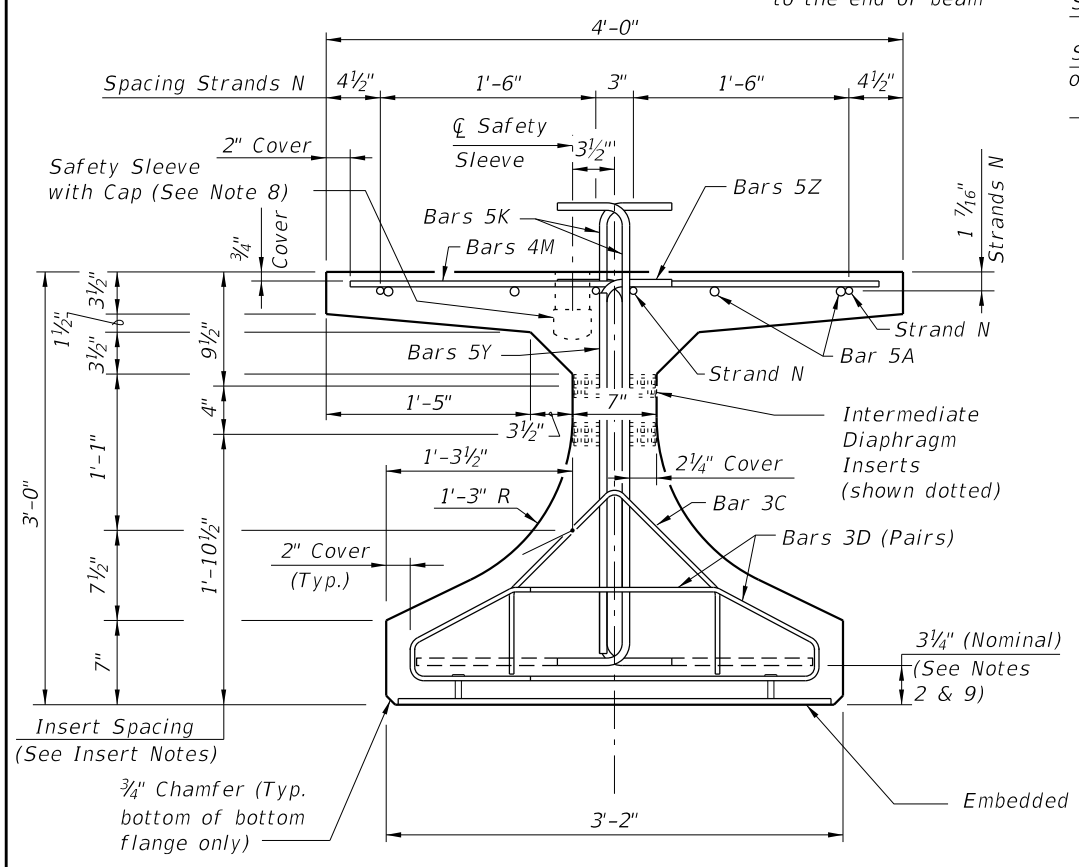
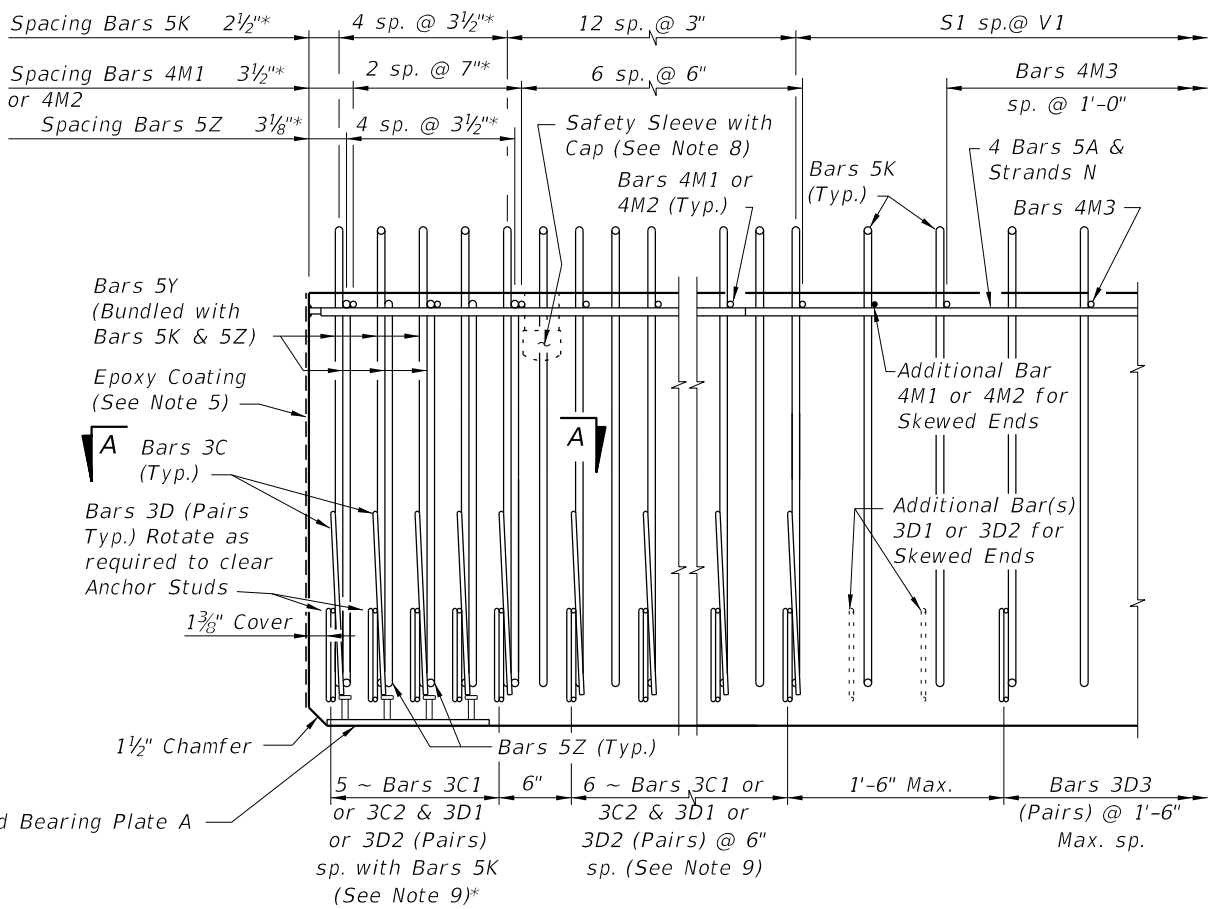


* These dimensions are measured perpendicular to the end of beam



END VIEW



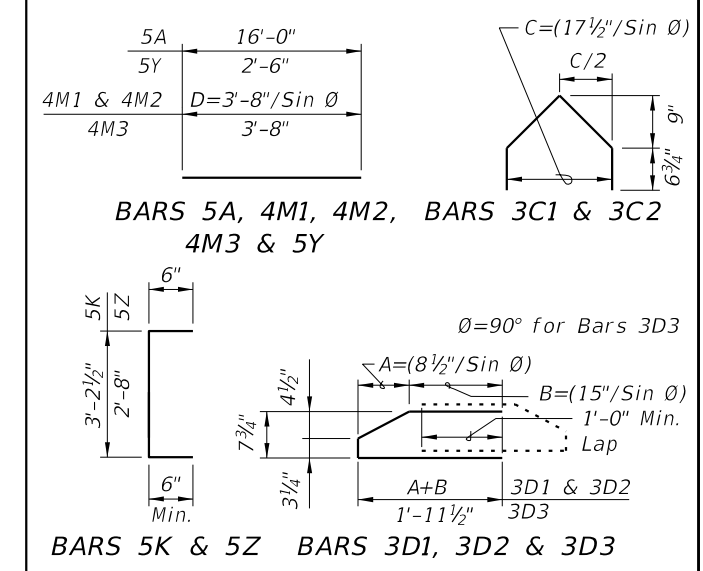
ELEVATION AT END OF BEAM
(Flanges Not Shown For Clarity)
(End 1 Shown, End 2 Similar)

CONVENTIONAL REINFORCING
BAR BENDING DETAILS

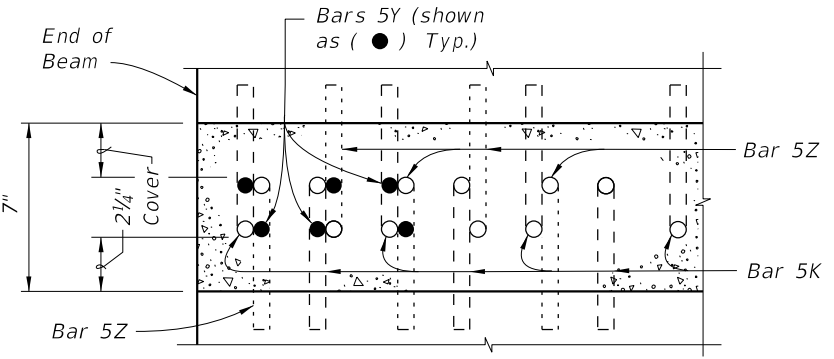
BILL OF REINFORCING STEEL

| MARK | NOTE NUMBERS | SIZE | NUMBER REQUIRED | LENGTH (NOTE 1) |
|------|----------------|---------------|-----------------|-----------------|
| A | — | 5 | 8 | 16'-0" |
| C1 | 9, 10 & 11 | 3 | 11 (End 1) | Varies |
| C2 | 9, 10 & 11 | 3 | 11 (End 2) | Varies |
| D1 | 9, 10, 11 & 14 | 3 | 22 (End 1) | Varies |
| D2 | 9, 10, 11 & 14 | 3 | 22 (End 2) | Varies |
| D3 | 9 & 14 | 3 | See Table | 4'-3" |
| K | 2, 9, 11 & 13 | 5 | See Table | 4'-2" |
| M1 | 9 & 10 | 4 | 9 (End 1) | Varies |
| M2 | 9 & 10 | 4 | 9 (End 2) | Varies |
| M3 | 9 | 4 | See Table | 3'-8" |
| N | 3 & 4 | 3/8" Ø Strand | 4 | Dim. L |
| Y | 9 & 11 | 5 | 12 | 2'-6" |
| Z | 2, 9, 11 & 13 | 5 | 10 | 3'-8" |

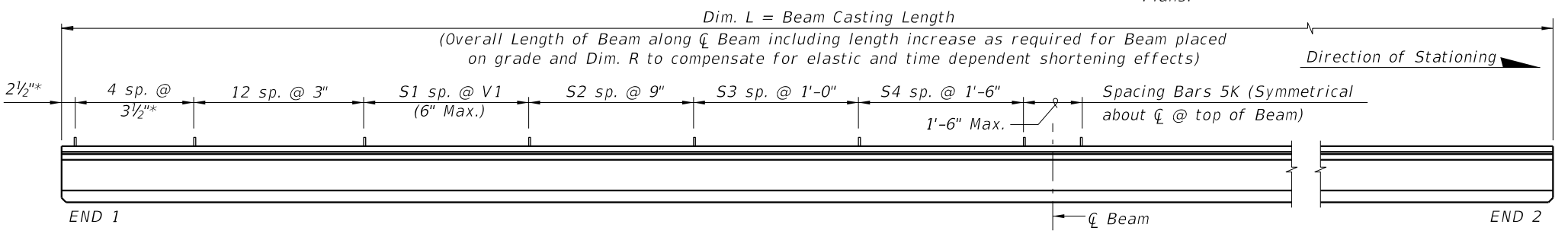
BENDING DIAGRAMS (See Note 1)



- NOTES:
- A. Work this Index with Index No. 20010 - Typical Florida-I Beam Details and Notes and the Florida-I Beam - Table of Beam Variables in Structures Plans.
 - B. For referenced notes, see Index No. 20010.
 - C. For Dimensions A, B, C, D, L, R & V1 and number of spaces S1 thru S4, see Florida-I Beam - Table of Beam Variables in Structures Plans.



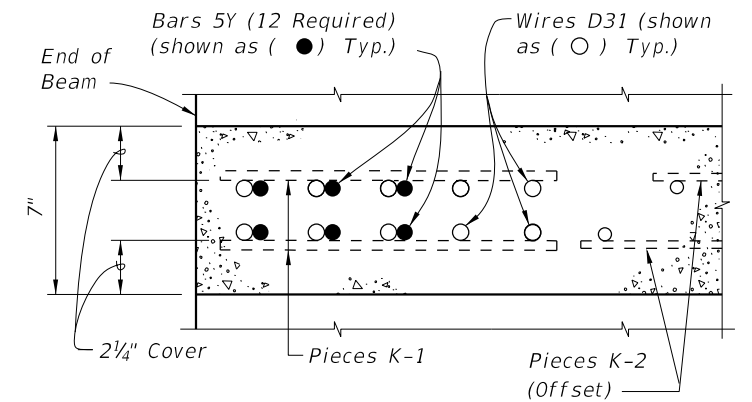
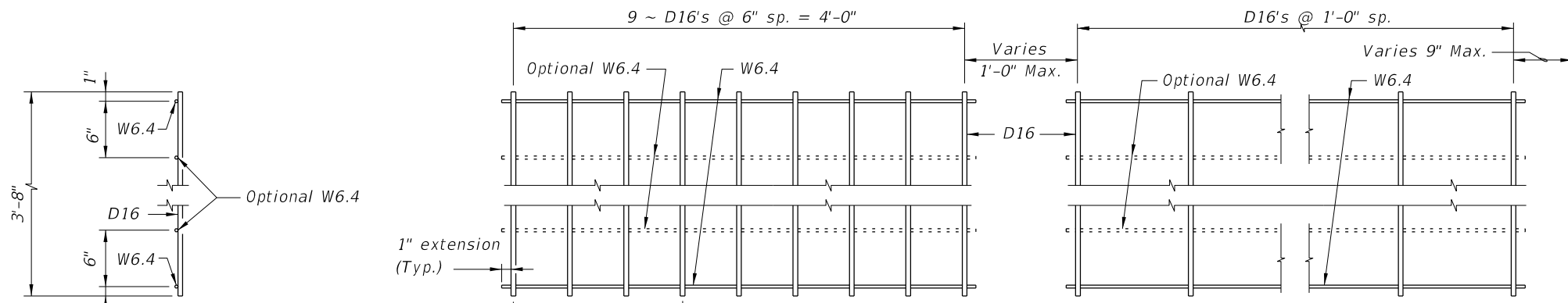
SECTION A-A FOR CONVENTIONAL REINFORCING
(Showing Bars 5K, 5Y & 5Z Only)



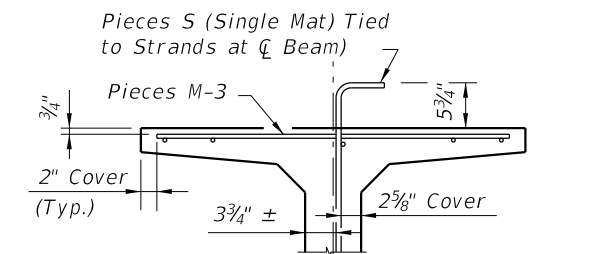
ELEVATION

12/30/2011 11:50:18 AM rd960rh C:\projects\standards\structures\current\ready\4release\2012book_draft\20036-1of2.dgn

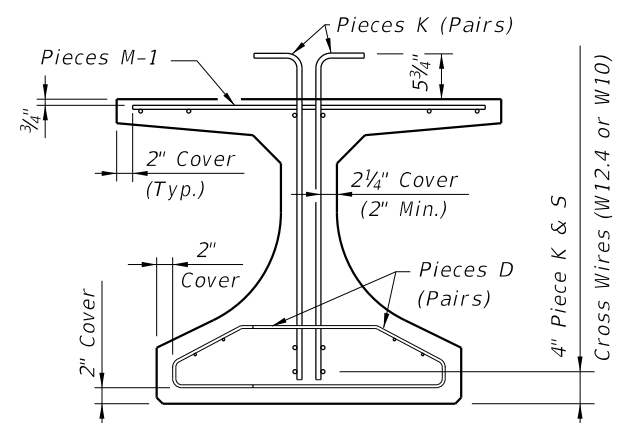
ALTERNATE REINFORCING STEEL (WELDED WIRE REINFORCEMENT) DETAILS



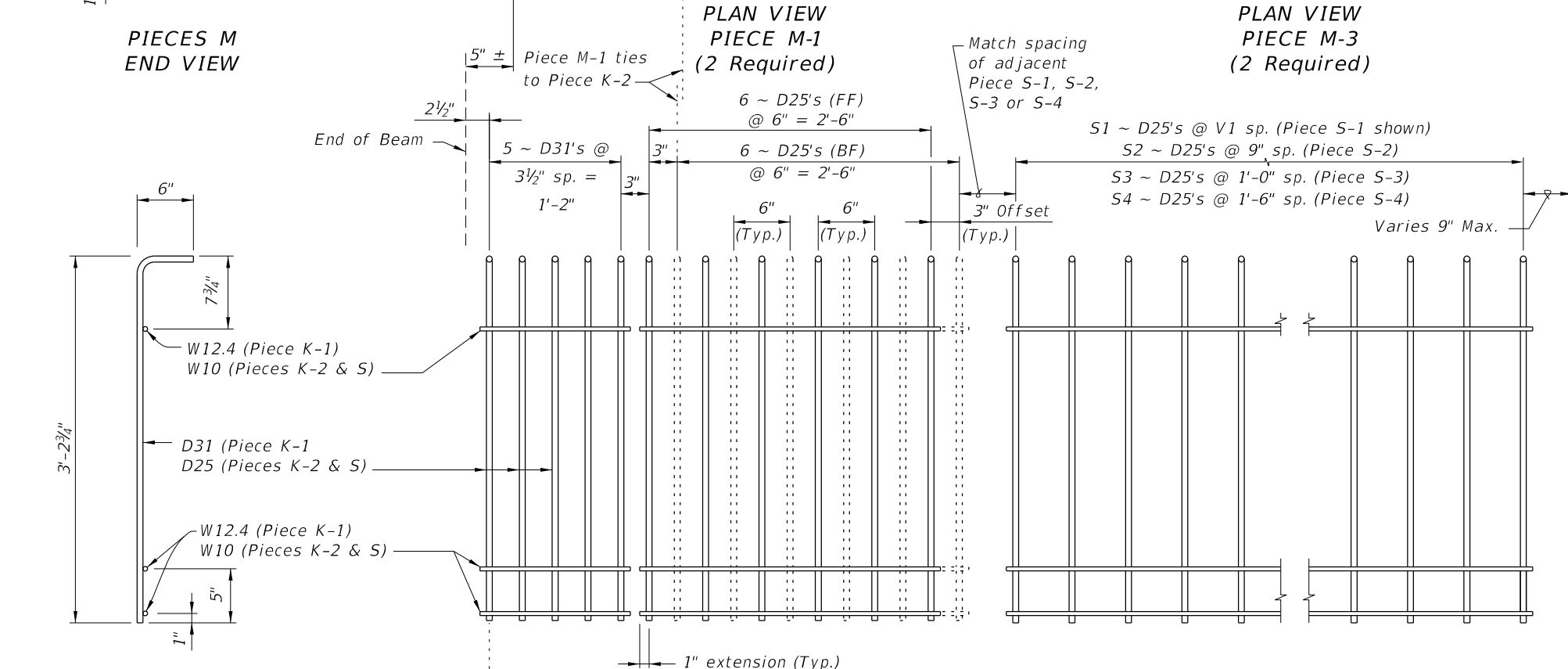
SECTION A-A FOR WELDED WIRE REINFORCEMENT



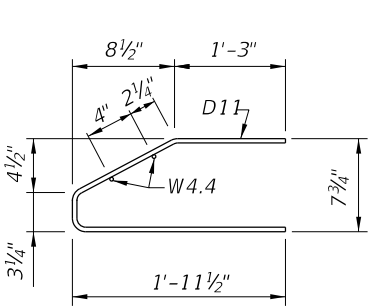
PARTIAL SECTION AT CENTER BEAM



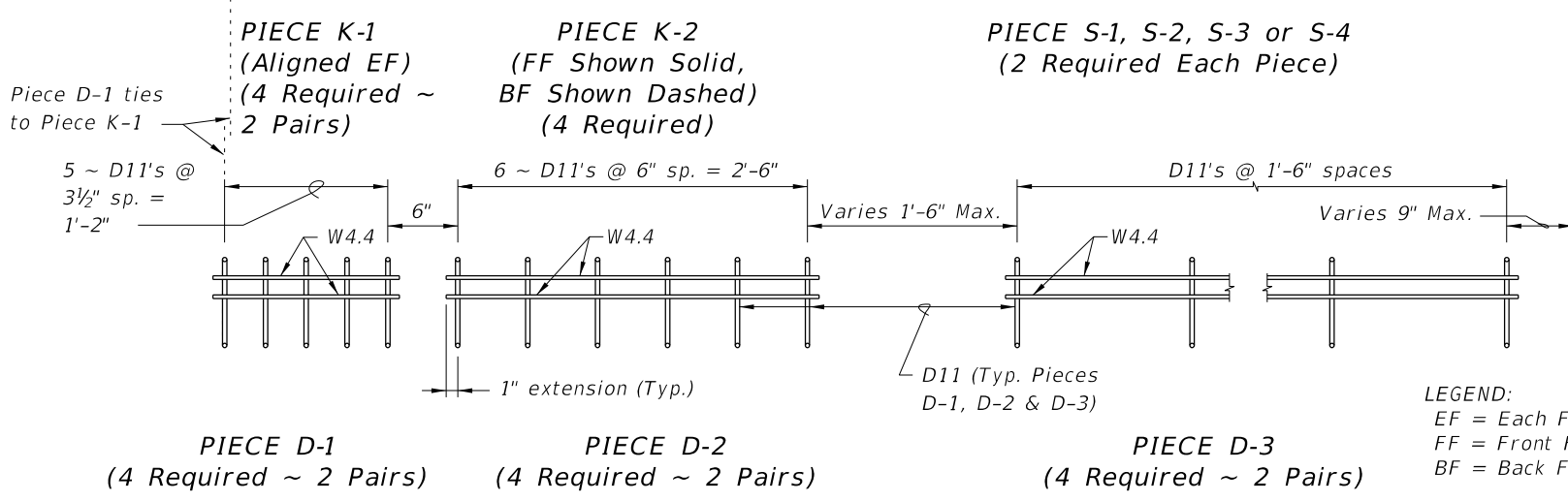
PARTIAL BEAM END VIEW (Conventional Reinforcing Bars A, C, Y and Strands not Shown for Clarity)



PIECES K & S END VIEW



PIECES D END VIEW



PIECE D-1 (4 Required ~ 2 Pairs) PIECE D-2 (4 Required ~ 2 Pairs) PIECE D-3 (4 Required ~ 2 Pairs)

LEGEND:
EF = Each Face
FF = Front Face
BF = Back Face

- NOTES:
- See Sheet 1 for placement details & Table of Beam Variables in Structures Plans for variables S1, S2, S3, S4 & V1.
 - Place Conventional Reinforcement Bars 5A & 3C as shown on Sheet 1. Place additional Bars 5Y as shown in Section A-A for Welded Wire Reinforcement. Bars 5Z will not be used with the WWR Option.
 - Pieces may be fabricated in multiple length sections.
 - For beams with skewed end conditions, Pieces D-1, D-2 & M-1 shall not be used; Conventional Reinforcement Bars D1, D2, C1, C2, M1 & M2 shall be used. See Index No. 20010 Skew Details and Note 9 for placement details. Shift Pieces K & Bars 5Y to accommodate skewed end conditions and align with Bars C and D.

C:\projects\standards\structures\current\ready\4release\2012book_draft\20036-2of2.dgn 11:50:18 AM r0960rh 12/30/2011

| | | | | | | |
|---------------------------|--------------|--|---------------------------------------|--------------------------------------|--------------------|----------------|
| LAST REVISION 07/01/10 | DESCRIPTION: | | FDOT DESIGN STANDARDS FY 2012/2013 | FLORIDA-I 36 BEAM - STANDARD DETAILS | INDEX NO. 20036 | SHEET NO. 2 |
| REVISION | | | | | | |