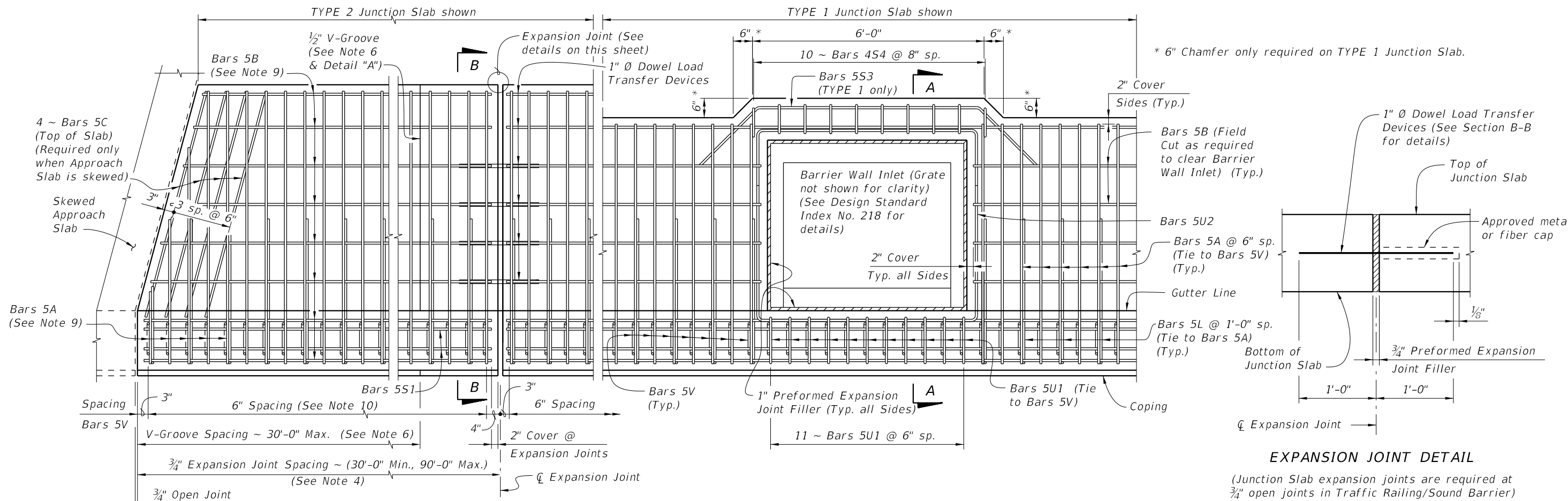
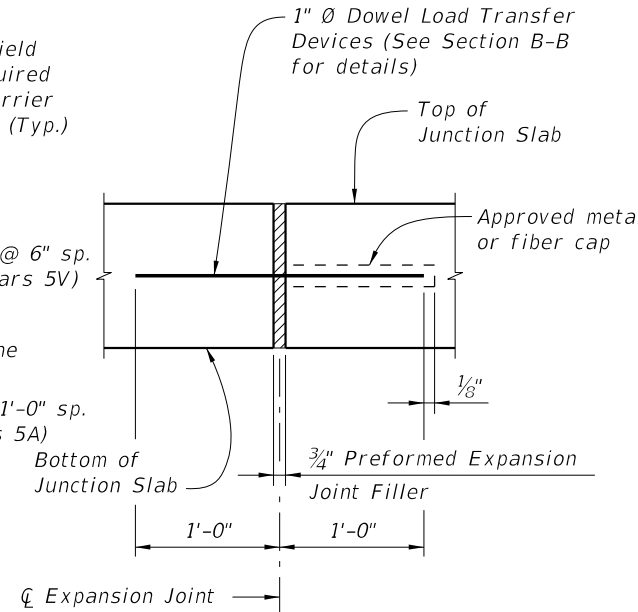


C:\projects\standards\structures\current\ready\release\2012book\_draft\05212-1of2.dgn  
 rd960rh  
 11:47:24 AM  
 12/30/2011



**PLAN**  
**JUNCTION SLAB ADJACENT TO SKEWED APPROACH SLAB AND WITH BARRIER WALL INLET**

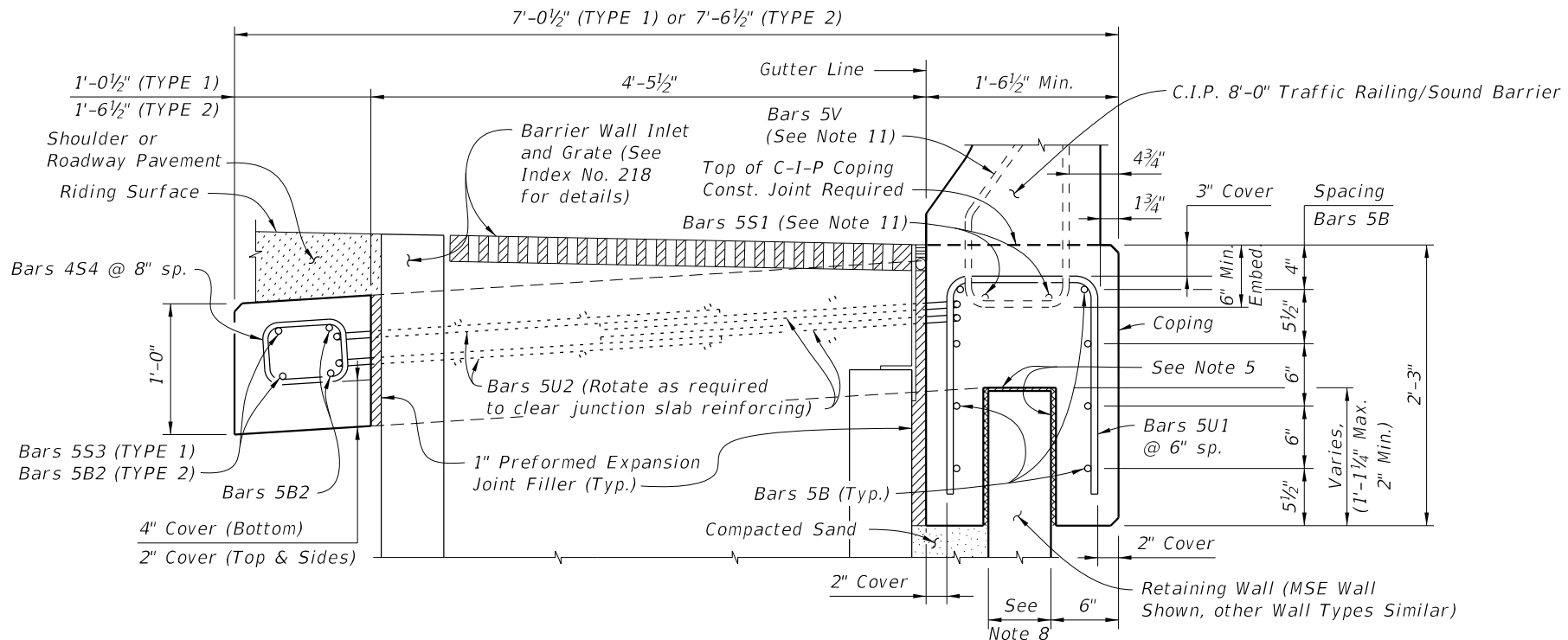


**EXPANSION JOINT DETAIL**  
 (Junction Slab expansion joints are required at 3/4" open joints in Traffic Railing/Sound Barrier)

**NOTES**

- CONSTRUCTION REQUIREMENTS:** Construct the Junction Slab level transversely and expansion joints plumb; do not construct the junction slab perpendicular to the roadway surface. Slip forming is not permitted.
- CONCRETE:** Use Class II concrete for slightly aggressive environments. Use Class IV concrete for moderately or extremely aggressive environments. Concrete will be in accordance with Specification Section 346.
- REINFORCING STEEL:** Provide Grade 60 reinforcing steel in accordance with Specification Section 931. Dowel Load Transfer Devices will be ASTM A 36 smooth round bar and hot-dip galvanized in accordance with Specification Section 962. Install Dowel Load Transfer Devices in accordance with Specification Section 350.
- EXPANSION JOINTS:** Construct 3/4" Expansion Joints plumb and perpendicular or radial to Gutter Line. Provide at 90'-0" maximum intervals as shown.
- Provide two layers of 30 Lb. Roofing Felt on top and Expanded Polystyrene (1/2" thick) on sides.
- V-GROOVES:** Construct 1/2" V-Grooves plumb and provide at 30'-0" maximum intervals as shown. Space V-Grooves equally between 3/4" Expansion Joints and/or Begin or End Junction Slab. V-Groove locations are to coincide with V-Groove locations in the Railing/Sound Barrier.
- FILL REQUIREMENTS:** Shoulder or Roadway Pavement or Fill is required on top of the junction slab for its entire length on the traffic side of the Railing/Sound Barrier. See Section B-B for details.
- Actual location & width vary depending on type of Retaining Wall used.
- Field cut Bars 5A and 5B as required to maintain minimum cover for skewed Approach Slab.
- Spacing shown is along the Gutter Line.
- See Index No. 5210 for Bars 5V and 5S1. See Plans for Junction Slab width (TYPE).
- Work this Index with the following:  
Index No. 5210 - Traffic Railing/Sound Barrier (8'-0").

**CROSS REFERENCE:**  
 For Section B-B and Detail "A", see Sheet 2.



**SECTION A-A**  
**SECTION THRU JUNCTION SLAB, BARRIER WALL INLET AND RETAINING WALL**  
 (TYPE 1 Junction Slab Shown, TYPE 2 Similar)

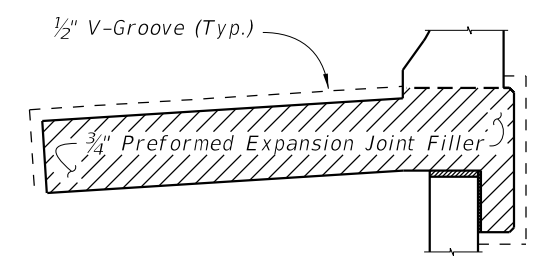
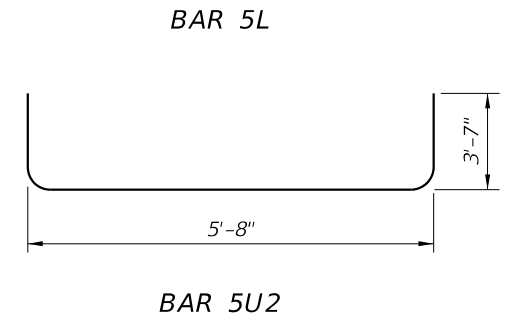
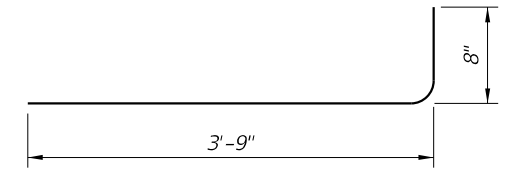
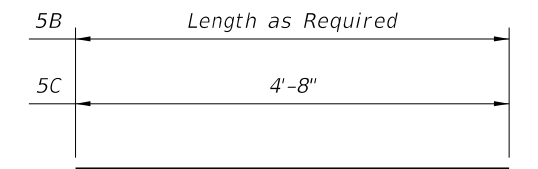
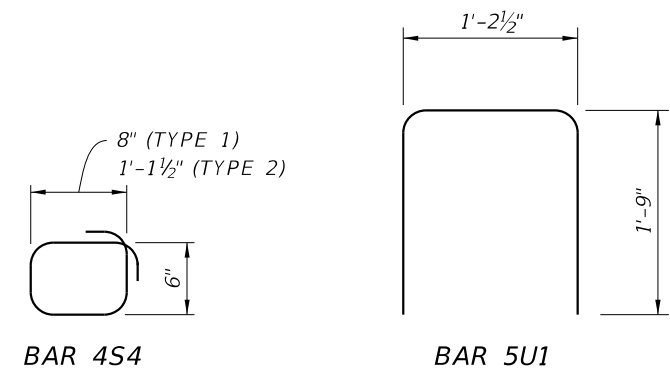
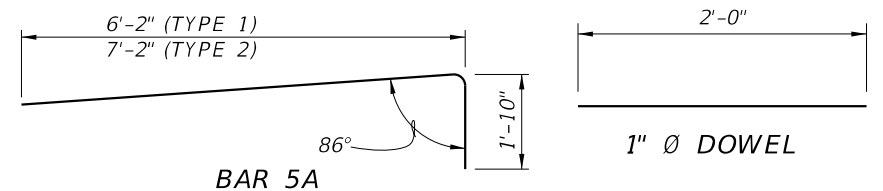
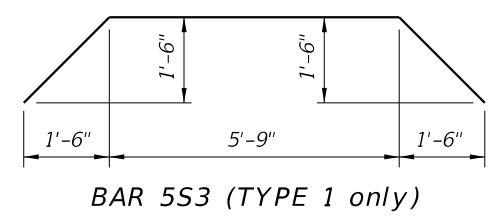
<b>LAST REVISION</b>	<b>DESCRIPTION:</b>		<b>FDOT DESIGN STANDARDS</b>	<b>TRAFFIC RAILING/SOUND BARRIER (8'-0")</b>	<b>INDEX NO.</b>	<b>SHEET NO.</b>
01/01/12			FY 2012/2013	JUNCTION SLAB	5212	1

**REINFORCING STEEL BENDING DIAGRAMS**

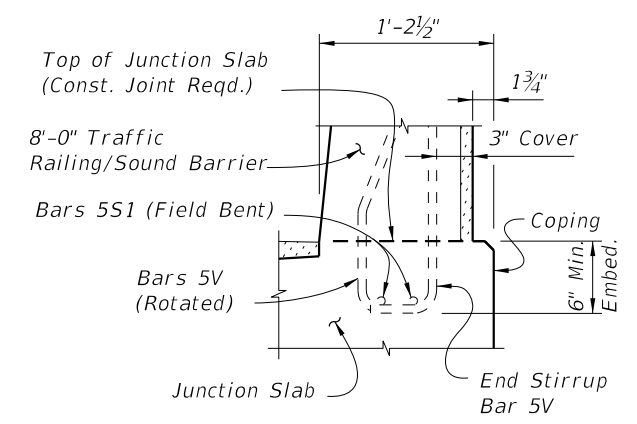
BILL OF REINFORCING STEEL			
MARK	SIZE	LENGTH	
		TYPE 1	TYPE 2
A	5	8'-0"	9'-0"
B	5	AS REQ'D.	AS REQ'D.
C	5	4'-8"	5'-8"
L	5	4'-5"	4'-5"
S3	5	10'-0"	N/A
S4	4	3'-1"	4'-0"
U1	5	4'-9"	4'-9"
U2	5	12'-10"	12'-10"
DOWEL	1" Ø Smooth Bar	2'-0"	2'-0"

**REINFORCING STEEL NOTES:**

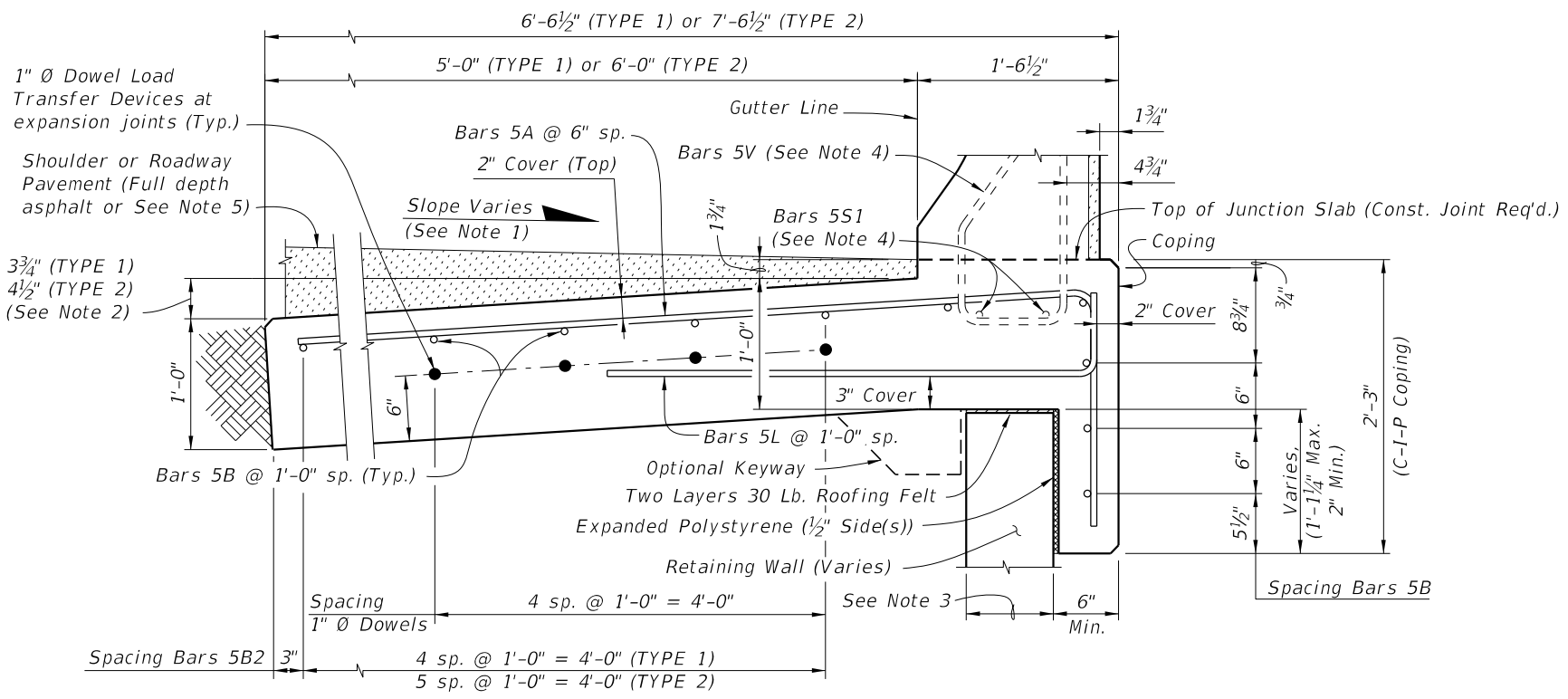
1. All bar dimensions in the bending diagrams are out to out.
2. All reinforcing steel at the open joints will have a 2" minimum cover.
3. Lap splices for Bars 5B will be a minimum of 2'-0".
4. The Contractor may use Welded Wire Reinforcement when approved by the Engineer. Welded Wire Reinforcement will conform to ASTM A 497.



(Showing Locations of 1/2" V-Grooves and 3/4" Preformed Expansion Joint Filler)



NOTE: See Index No. 5210, Detail "A" for details.



ESTIMATED JUNCTION SLAB QUANTITIES			
ITEM	UNIT	QUANTITY	
		TYPE 1	TYPE 2
Concrete (Junction Slab)	CY/FT	0.268	0.305
Reinforcing Steel (Typical)	LB/FT	30.91	34.04
Additional Reinf. @ Expansion Joint	LB	21.36	21.36

- NOTES:**
1. Match Cross Slope of Travel Lane or Shoulder.
  2. The 3 3/4" & 4 1/2" dimensions correspond to a maximum superelevation of 6.25%. For superelevations exceeding 6.25%, increase this dimension as required to match roadway superelevation.
  3. Actual width varies depending on type of Retaining Wall used.
  4. See Index No. 5210 for Bars 5V and 5S1.
  5. For Rigid Pavement (Concrete), Junction Slab may be thickened to match finished grade.

**CROSS REFERENCE:**  
For location of Section B-B, see Sheet 1.

C:\projects\standards\structures\current\ready\4release\2012book\_draft\05212-2of2.dgn 11:47:25 AM 12/30/2011