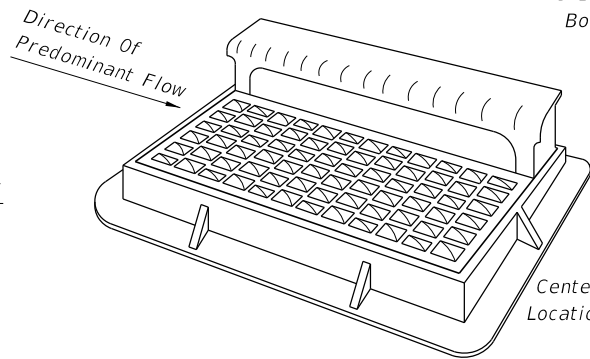


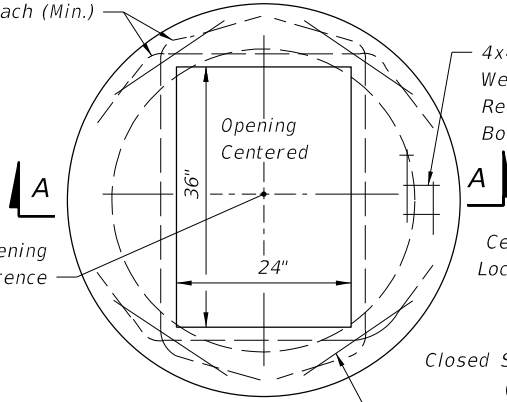
TOP VIEW

Face Of Curb
Direction Of Predominant Flow



#5 Bars Top #6 Bars Bottom 12" Returns, Each (Min.)

Center of Opening Location Reference



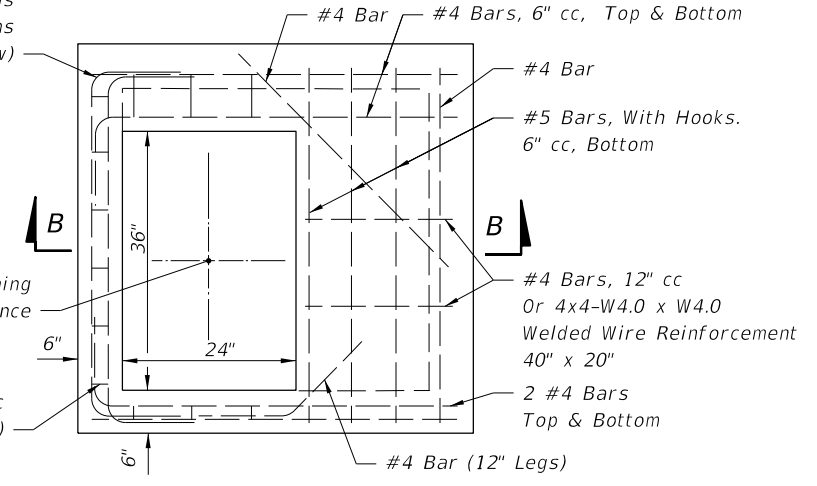
TOP VIEW

#4 Bars Continuous Or 12" Returns (Same Below)

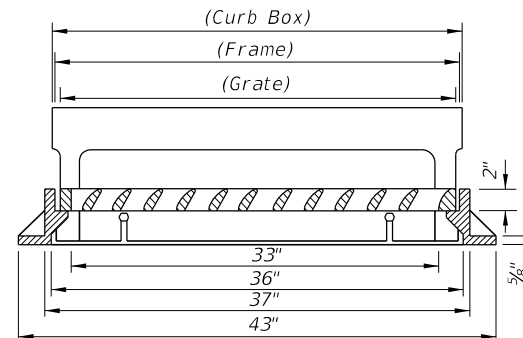
4x4-W4.0xW4.0 Welded Wire Reinforcement, Bottom

Closed Stirrups 8" cc (Three Sides)

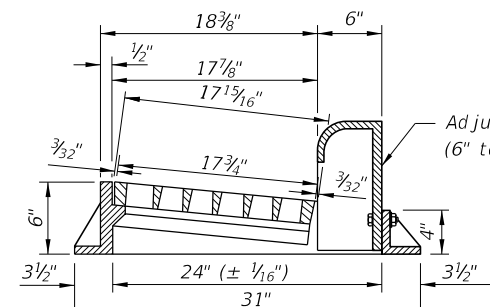
#5 Bar Top & Bottom, L=18"



TOP VIEW

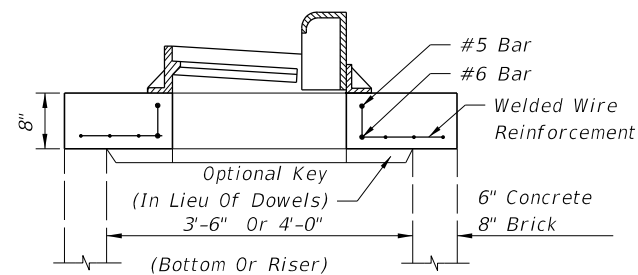


LONGITUDINAL SECTION

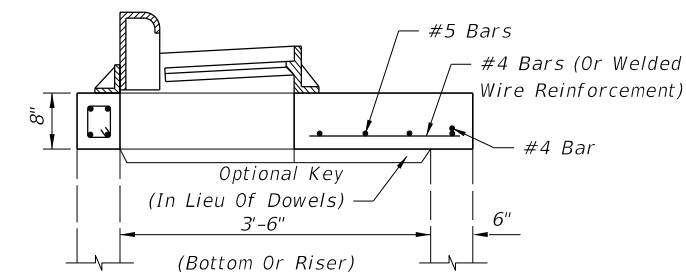


TRANSVERSE SECTION

FRAME AND GRATE

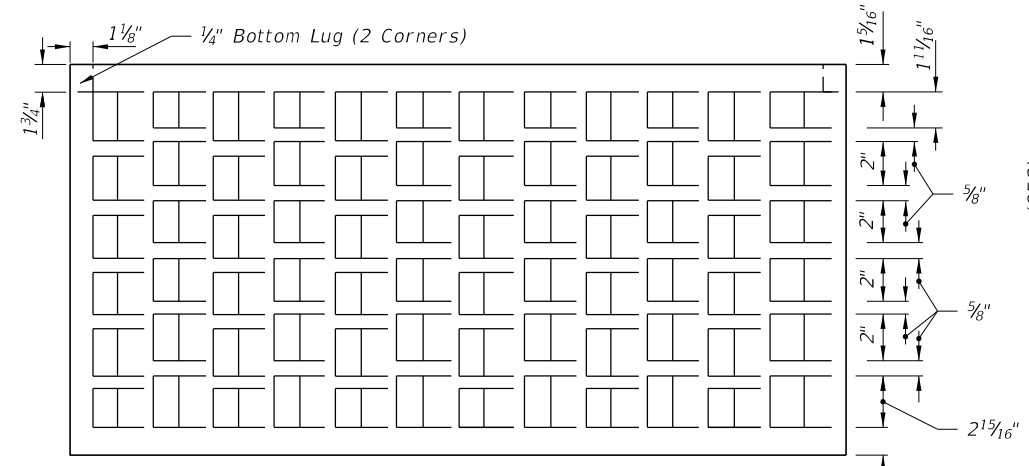


SECTION AA (SEE NOTE 6 BELOW)



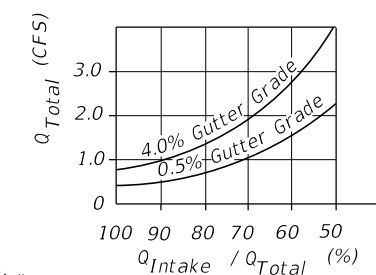
SECTION BB (SEE NOTE 6 BELOW)

TOP SLABS

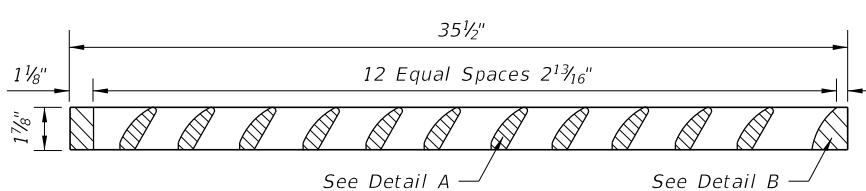


TOP VIEW

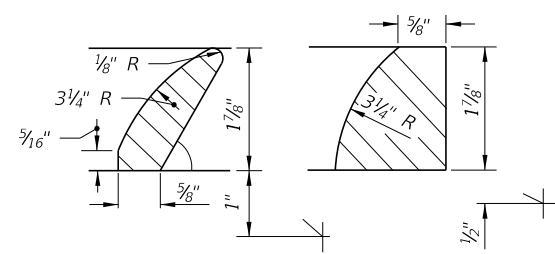
Approximate Debris Free Capacity (0.02 Pavement Cross Slope)



EFFICIENCY CURVE



SECTION



DETAIL A

DETAIL B

GRATE DETAIL

GENERAL NOTES

1. This inlet is primarily intended for locations with light to moderate flows where right of way does not permit the use of throated Curb Inlets Types 1 through 6. The typical application is on curb returns to city streets. The inlet grate is suitable for pedestrian and bicycle traffic.
2. This inlet to be located outside of curb ramp area in vertical faced curbs such as Curb and Gutter Type F. Grate shall be oriented with vanes directed toward Predominant flow.
3. For structure bottoms see Index No. 200. For supplemental details see Index No. 201.
4. All steel in slab tops shall have 1 1/4" minimum cover unless otherwise shown. Tops shall be either cast-in-place or precast concrete.
5. For Alternate B applications, top slab openings shall be placed such that 2 edges of inlet frame will be located directly above bottom wall or riser wall.
6. When used on a structure with dimensions larger than those detailed above and not applied, the top slab shall be constructed using Index No. 200 with the slab opening adjusted to 24"x36". The "Special Top Slab" on Index No. 200 is not permitted.
7. Frame may be adjusted with one to six courses of brick.
8. Cast iron frame grate and hood to be U.S. Foundry 5130-6016, Neenah Foundry R-3067-L, or approved equal. Inlet and grate detail shown is Neenah R-3067-L. Vaned grates with approximately equal openings will be permitted that satisfy AASHTO HS-20 loading. Grates shall be reversible, right or left.

C:\projects\standards\roadway\0200-s\00214-01.dgn 11:39:12 AM r0960/h 12/30/2011

LAST REVISION	DESCRIPTION:		FDOT DESIGN STANDARDS FY 2012/2013	CURB INLET TOP TYPE 9	INDEX NO. 214	SHEET NO. 1
07/01/05						