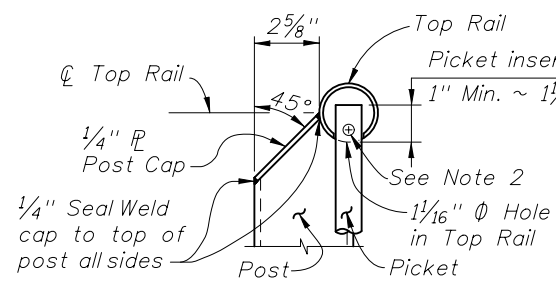
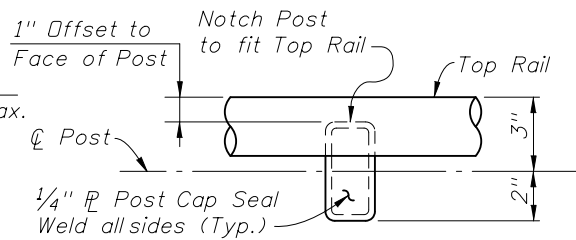


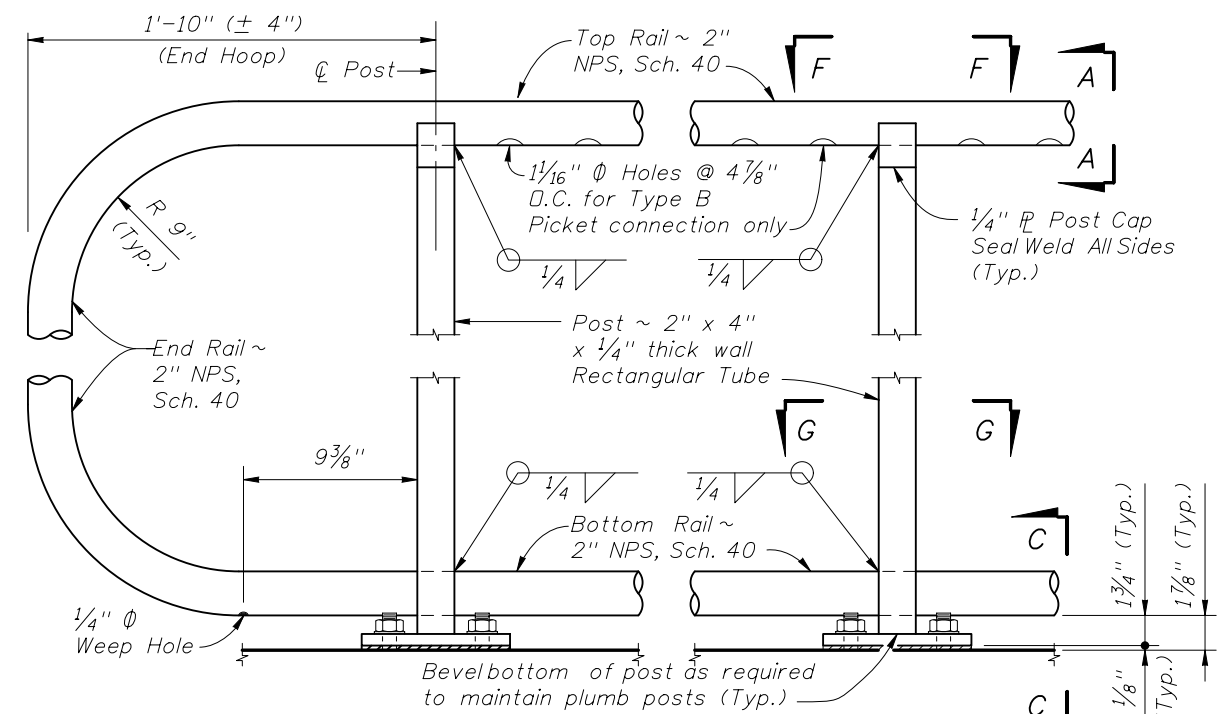
TYPE A (WELDED)



TYPE B (NONWELDED)

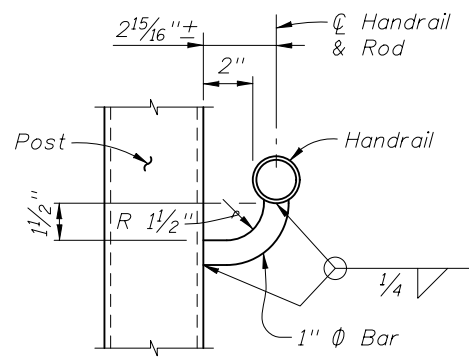


VIEW F-F
TOP RAIL CONNECTION
(Base Plate Not Shown for Clarity)

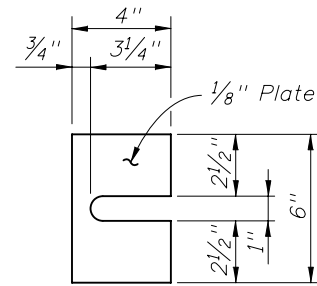


DETAIL "C" - RAIL CONNECTIONS
(Showing Outside Face of Structure and Railing, Pickets and Handrail Not Shown for Clarity)

SECTION A-A
(Top of Picket Connection)



SECTION B-B
(Handrail Connection)



SHIM PLATE
DETAIL

Notes:

1. Type B connection is required for use with Index No. 861 on bridges, except End Hoops may use Type A connections. Optional for other installations and for connection to bottom rail.
2. Provide #10 x 1/2" Pan Head Stainless Steel (316 or 18-8 Alloy) Screw in the last picket at each expansion or field splice joint to secure the end of the top rail.

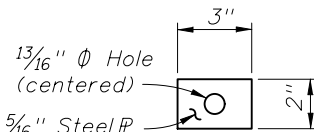
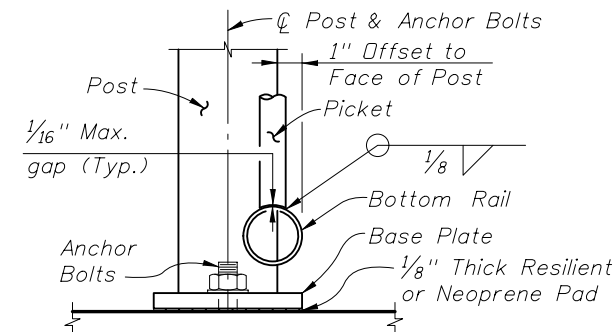
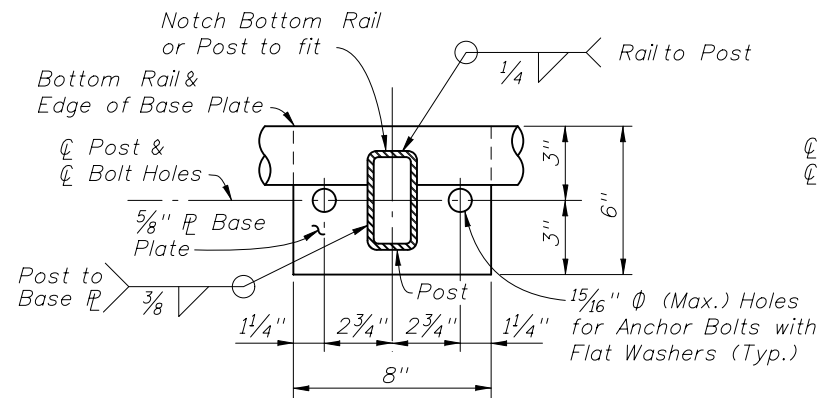


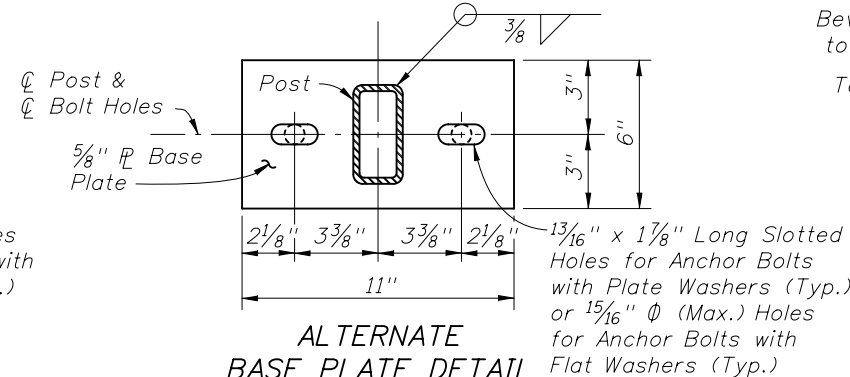
PLATE WASHER
DETAIL



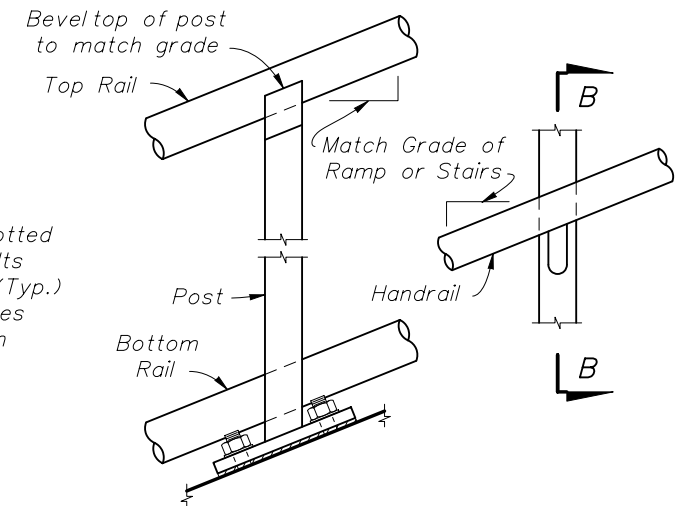
SECTION C-C
(Bottom of Picket connection)



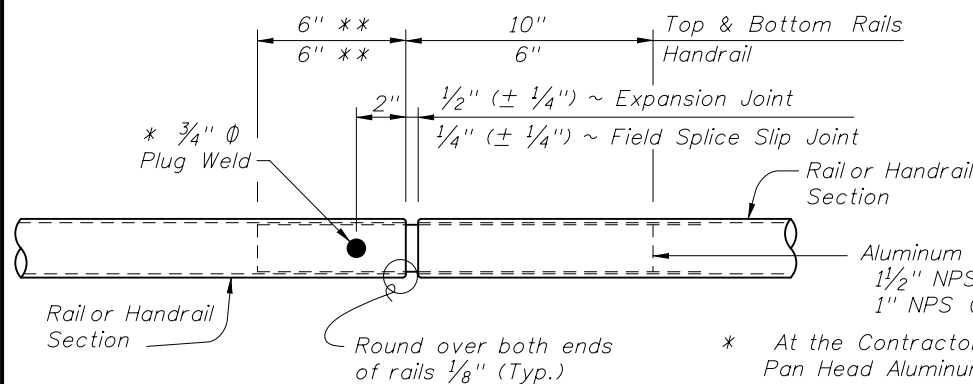
SECTION G-G
BASE PLATE & BOTTOM RAIL CONNECTION



ALTERNATE
BASE PLATE DETAIL
(Recommended for Top of Step Cheekwalls)

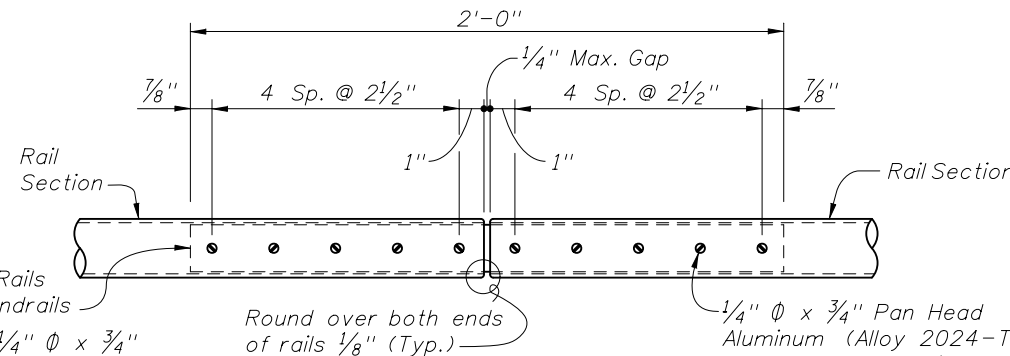


DETAIL "B" - RAIL AND HANDRAIL
(Showing Sloped Condition for Stairs or Ramp)

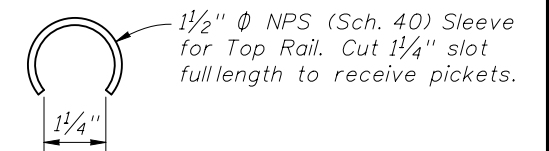


DETAIL "D" - EXPANSION JOINT
(FIELD SPLICE SLIP JOINT SIMILAR)

- * At the Contractor's option 2 ~ 1/4" Ø x 3/4" Pan Head Aluminum (Alloy 2024-T4 or 7075-T73) or Stainless Steel (Type 316 or 18-8 Alloy) Set Screws at 2" spacing may be substituted for the 3/4" Ø plug weld. Set screws must be set flush against the outside face of rails and underside of handrails.
- ** Embedded length may be 4" for plug welded connection.



DETAIL "E" - CONTINUITY
FIELD SPLICE

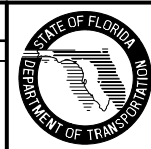


SLEEVE MODIFICATION FOR
TOP RAIL TYPE B CONNECTION

CROSS REFERENCE:
For locations of Details "C", "D" and "E", see Sheet 2 of 5.

REVISIONS

DATE	BY	DESCRIPTION	DATE	BY	DESCRIPTION
01/01/10	SJN	Added (± 4") tolerance to End Hoop length in Detail "C".			



2010 Interim Design Standard

ALUMINUM PEDESTRIAN/BICYCLE PICKET RAILING

Interim Date	Sheet No.
01/01/10	4 of 5
Index No.	
860	