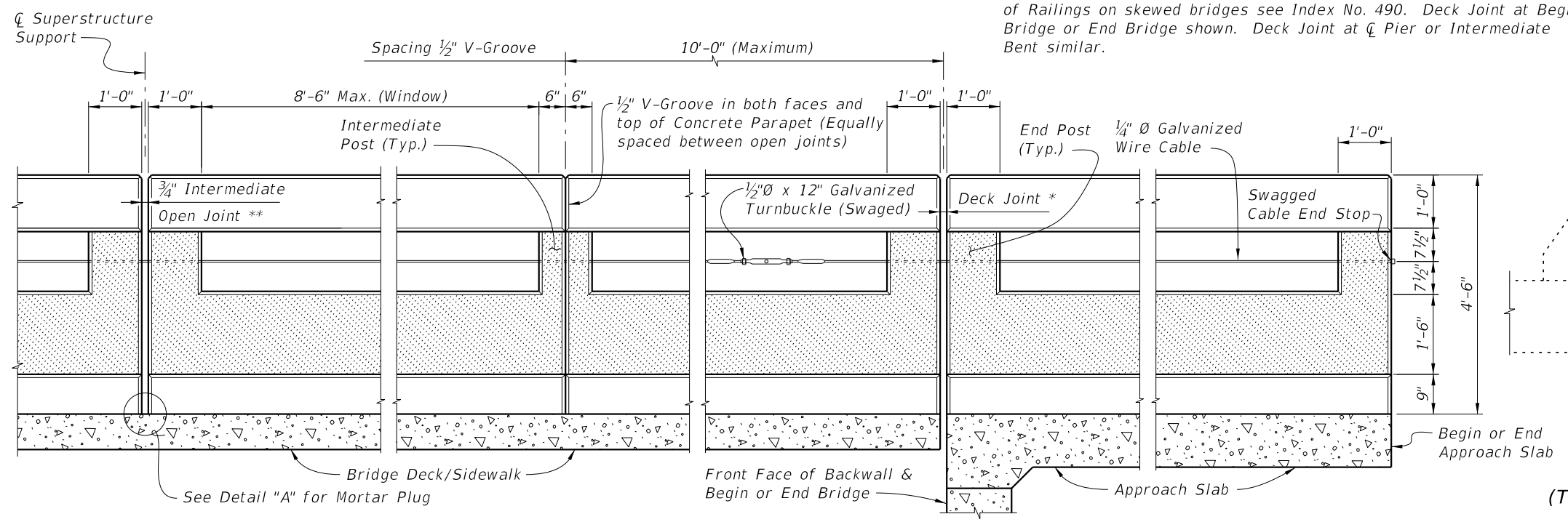
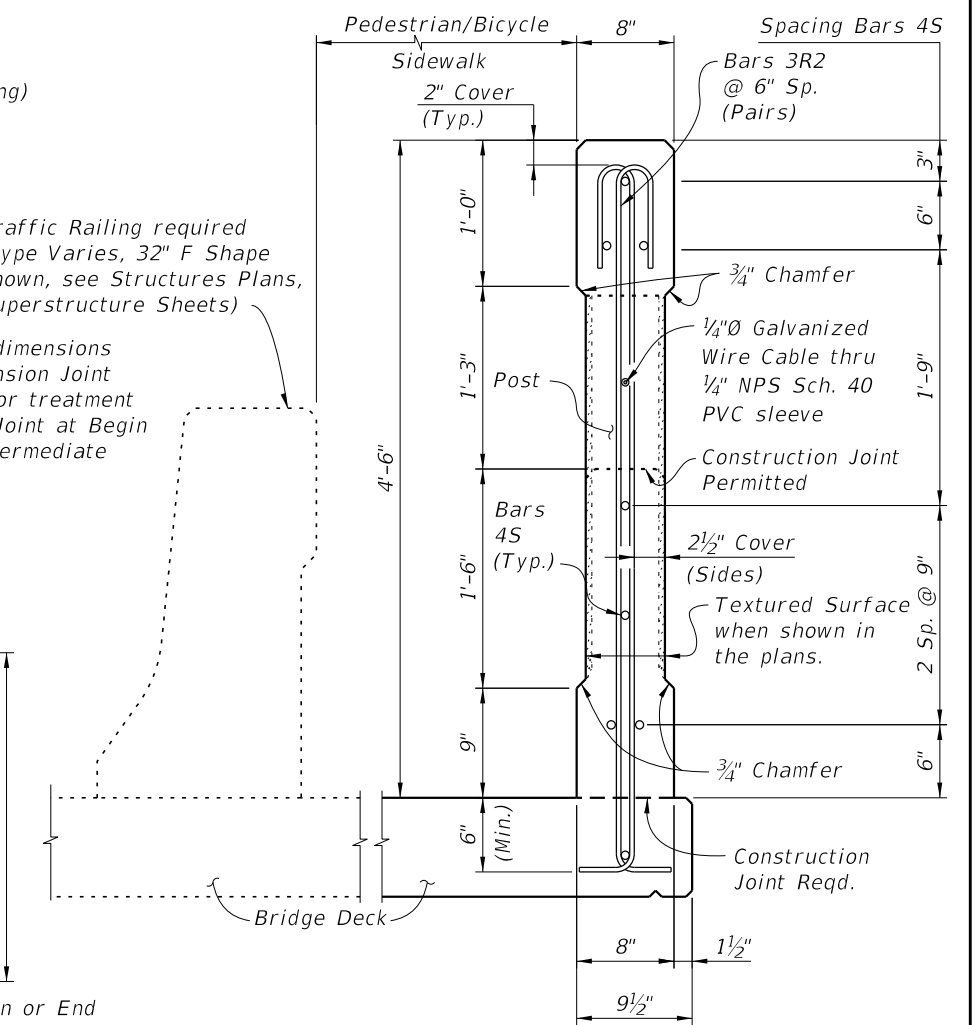


\* See Structures Plans, Superstructure Sheets for actual dimensions and joint orientation. Open Parapet Joints at Deck Expansion Joint locations shall match the dimension of the Deck Joint. For treatment of Railings on skewed bridges see Index No. 490. Deck Joint at Begin Bridge or End Bridge shown. Deck Joint at Center Pier or Intermediate Bent similar.

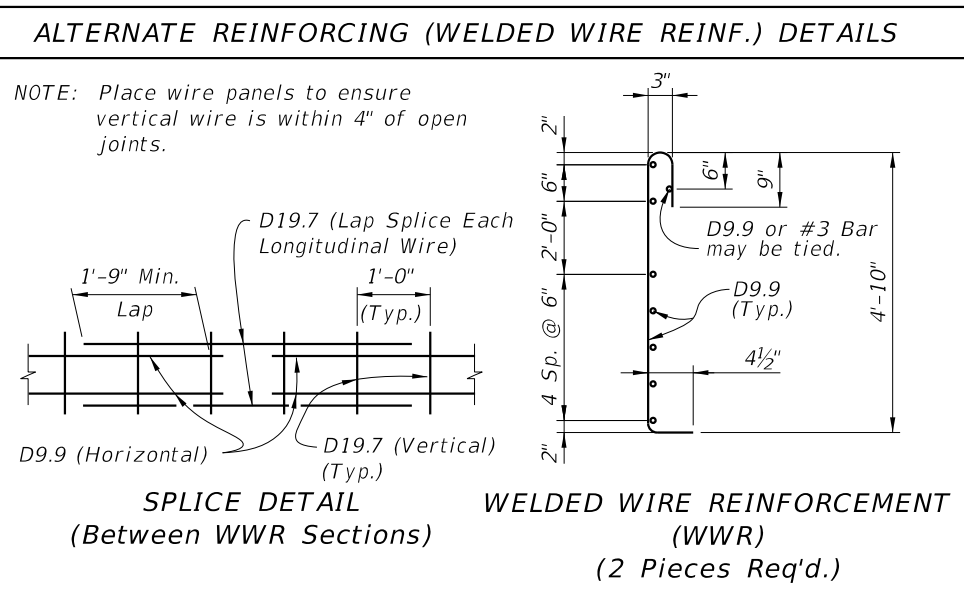
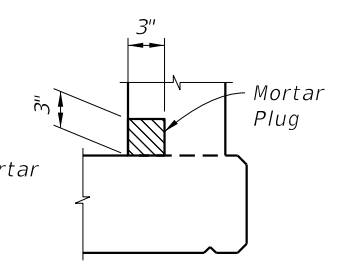
Traffic Railing required (Type Varies, 32" F Shape shown, see Structures Plans, Superstructure Sheets)



\*\* 3/4" Intermediate Open Joints shall be provided at locations coinciding with 3/4" Joints for the Traffic Railing.



**MORTAR PLUG NOTE:**  
At Intermediate Open Joints, the lower 3" portion of the open joint shall be plugged by filling it with mortar in accordance with Section 400 of the Specifications.



**CONVENTIONAL REINFORCING STEEL BENDING DIAGRAMS**

**BILL OF REINFORCING STEEL**

MARK	SIZE	LENGTH
R2	3	6'-2"
S	4	As Req'd.

**ESTIMATED CONCRETE PARAPET QUANTITIES**

ITEM	UNIT	QUANTITY
Concrete	CY/LF	0.077
Reinforcing Steel	LB/LF	14.62

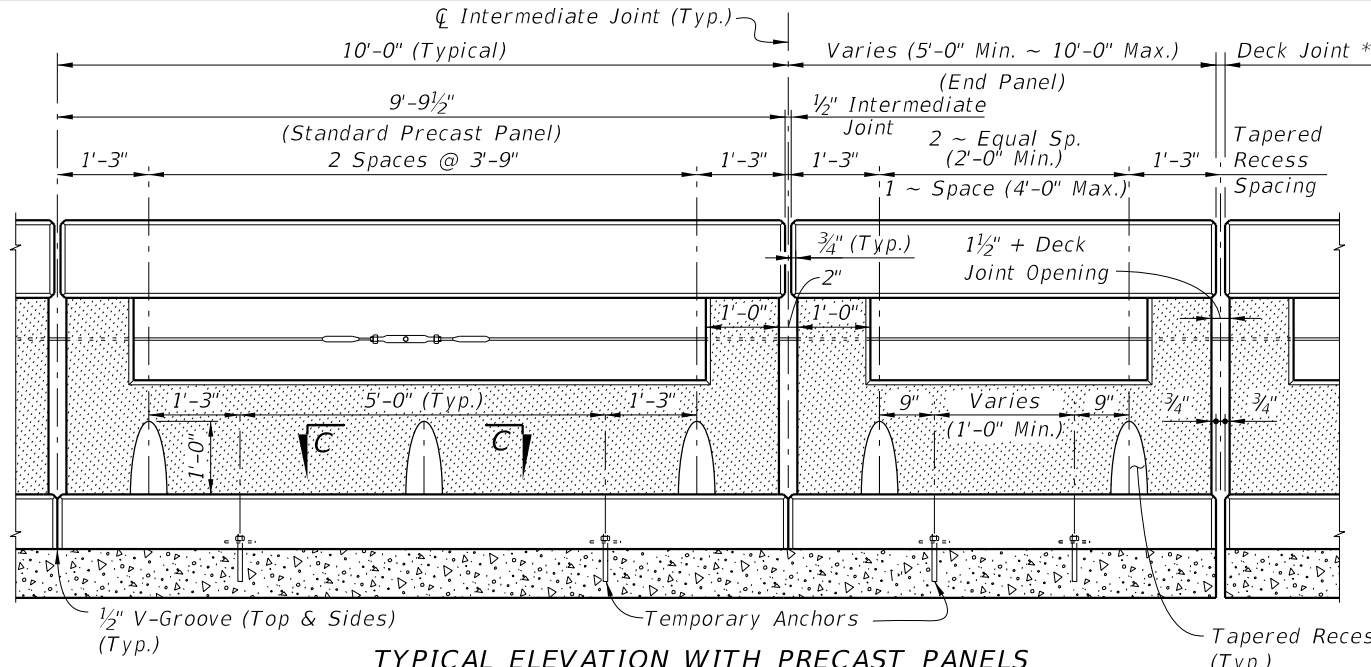
(The above quantities are based on a deck with a 2% cross slope)

**BAR 3R2** **BAR 45**

Labels: 3", 2 1/4" Ø Pin, 4 1/2", 4'-10", As Req'd.

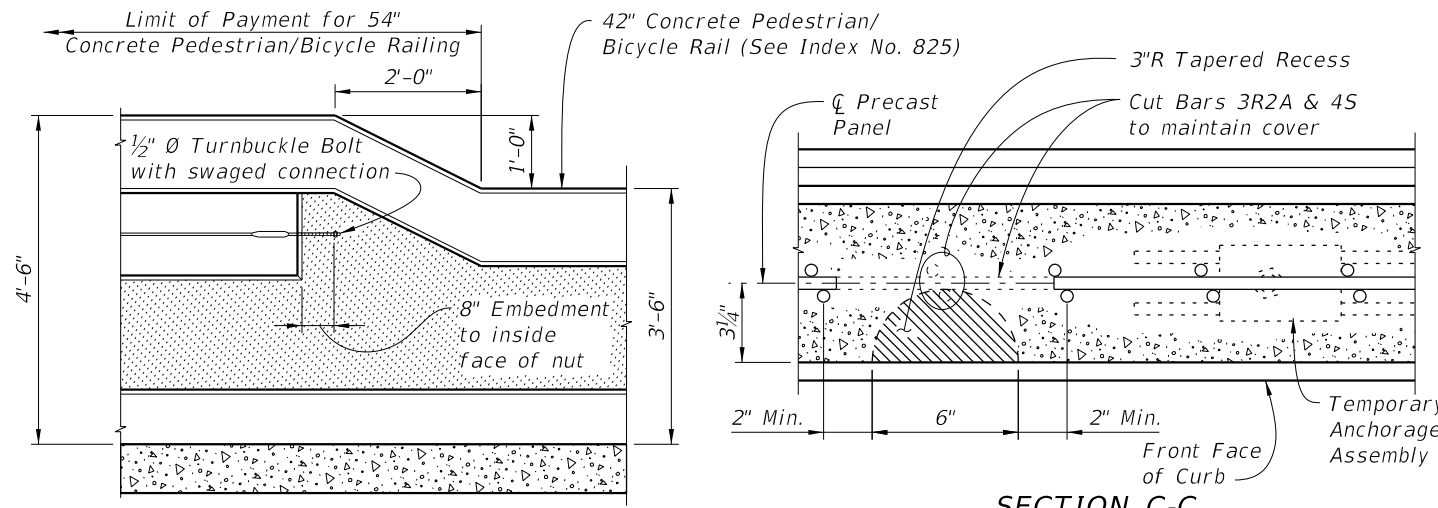
**REVISIONS**

DATE	BY	DESCRIPTION	DATE	BY	DESCRIPTION
07/01/10	SJN	New Design Standard			



\* See Note on Sheet 1

**TYPICAL ELEVATION WITH PRECAST PANELS**  
(Reinforcing Steel not shown for clarity)



**TYPICAL ELEVATION OF TRANSITION TO 42\"/>**

**SECTION C-C**  
**TAPERED RECESS DETAIL**  
(Curb Reinforcing not shown for clarity)

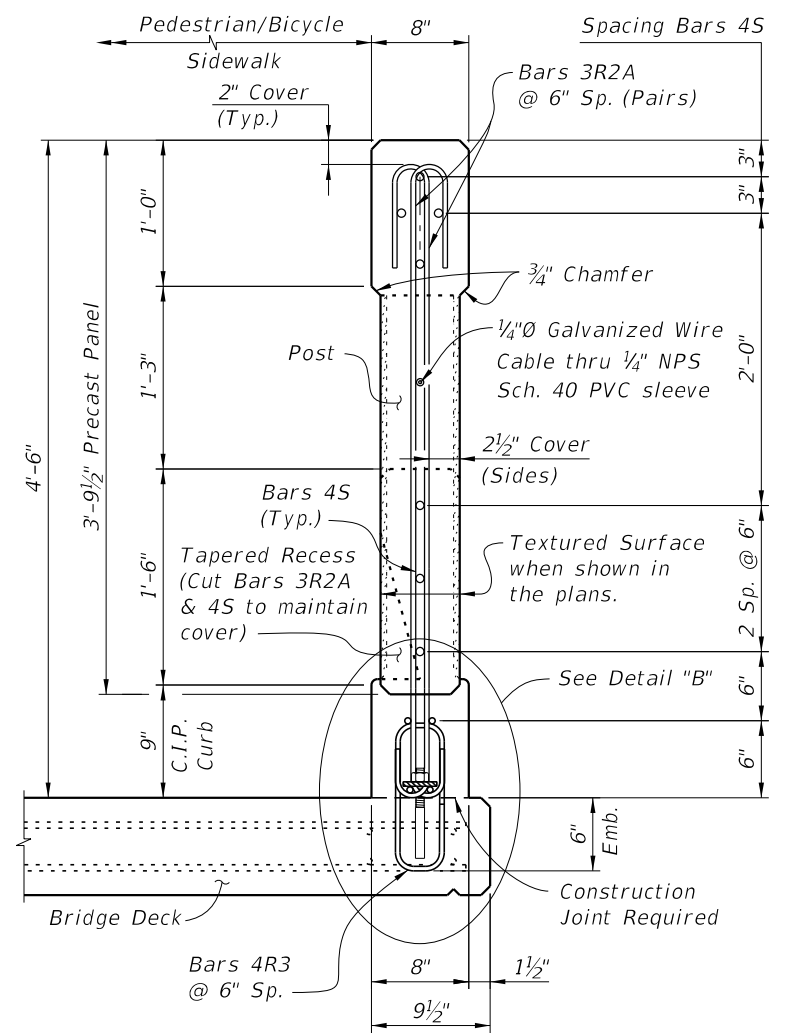
**CONCRETE PARAPET NOTES:**  
 1. Concrete parapet shall be placed vertical and top surface shall be level transversely.  
 2. Payment will be made under 54\"/>

**PRECAST PANEL NOTES:**  
 1. Panel concrete shall be Class III for slightly or moderately aggressive or Class IV for extremely aggressive environments.  
 2. Precast Panel Tolerances:  
 a. Overall Height & Width:  $\pm 1/4$ \"/>

**WIRE CABLE NOTES:**  
 1. Turnbuckles shall be ASTM F1145, Type III (Rigging), Class D  $1/2$ \"/>

**TEMPORARY ANCHORAGE ASSEMBLY NOTES:**  
 1. Anchor plate shall be ASTM A36.  
 2. Anchor Bolts shall be zinc plated with pullout strength of 16,000 lbs. for 5\"/>

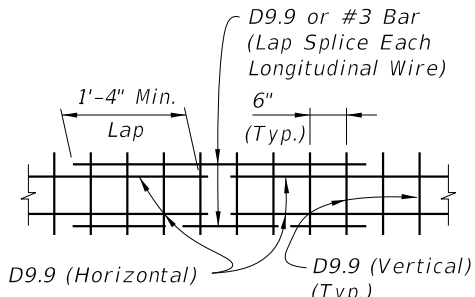
**REINFORCING STEEL NOTES:**  
 1. All bar dimensions in the bending diagrams are out to out.  
 2. The reinforcement for the parapet on a retaining wall shall be the same as detailed above for a 8\"/>



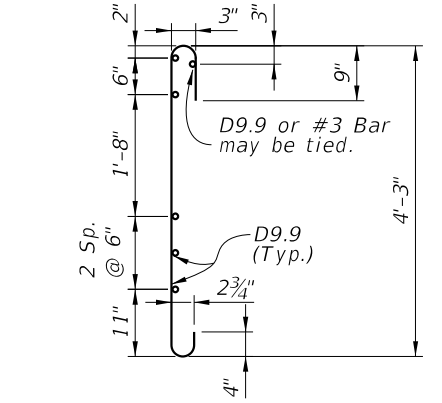
**SECTION A-A**  
(Typical Precast Section Thru Bridge Deck Shown, Section Thru Approach Slab Similar)

**ALTERNATE REINFORCING (WELDED WIRE REINF.) DETAILS**

NOTE: Place wire panels to ensure vertical wire is within 4\"/>



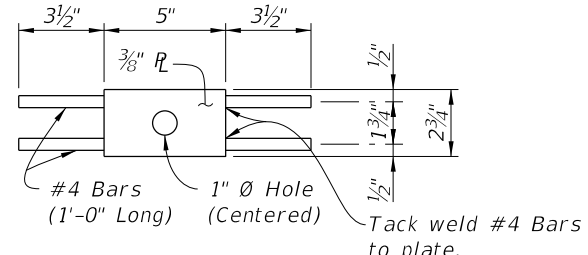
**SPLICE DETAIL**  
(Between WWR Sections)



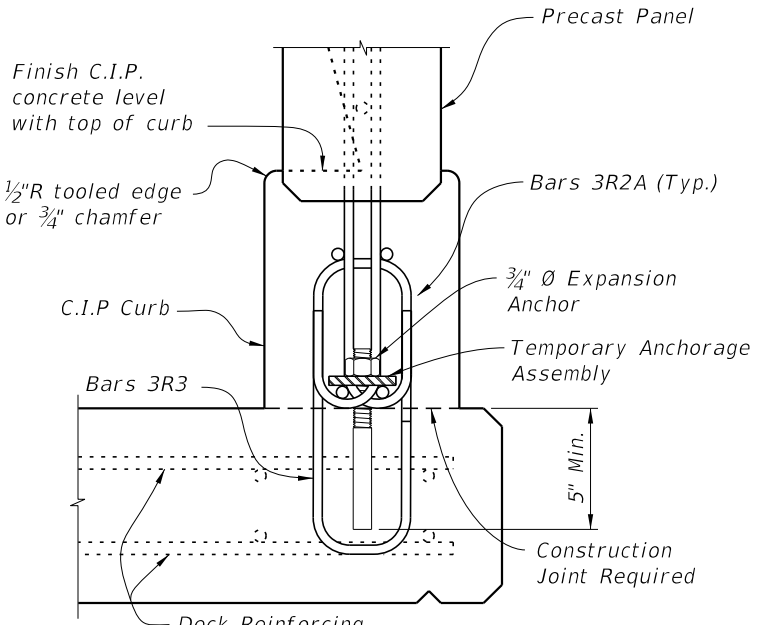
**WELDED WIRE REINFORCEMENT (WWR)**  
(2 Pieces Req'd.)

**CONVENTIONAL REINFORCING STEEL BENDING DIAGRAMS**

BILL OF REINFORCING STEEL		
MARK	SIZE	LENGTH
R2A	3	6'-2"
R3	3	4'-0"
S	4	As Req'd.

**DETAIL B**  
**TEMPORARY ANCHORAGE ASSEMBLY**



**DETAIL B-B**  
**PRECAST PANEL ANCHORAGE**

REVISIONS		
DATE	BY	DESCRIPTION
07/01/10	SJN	New Design Standard

