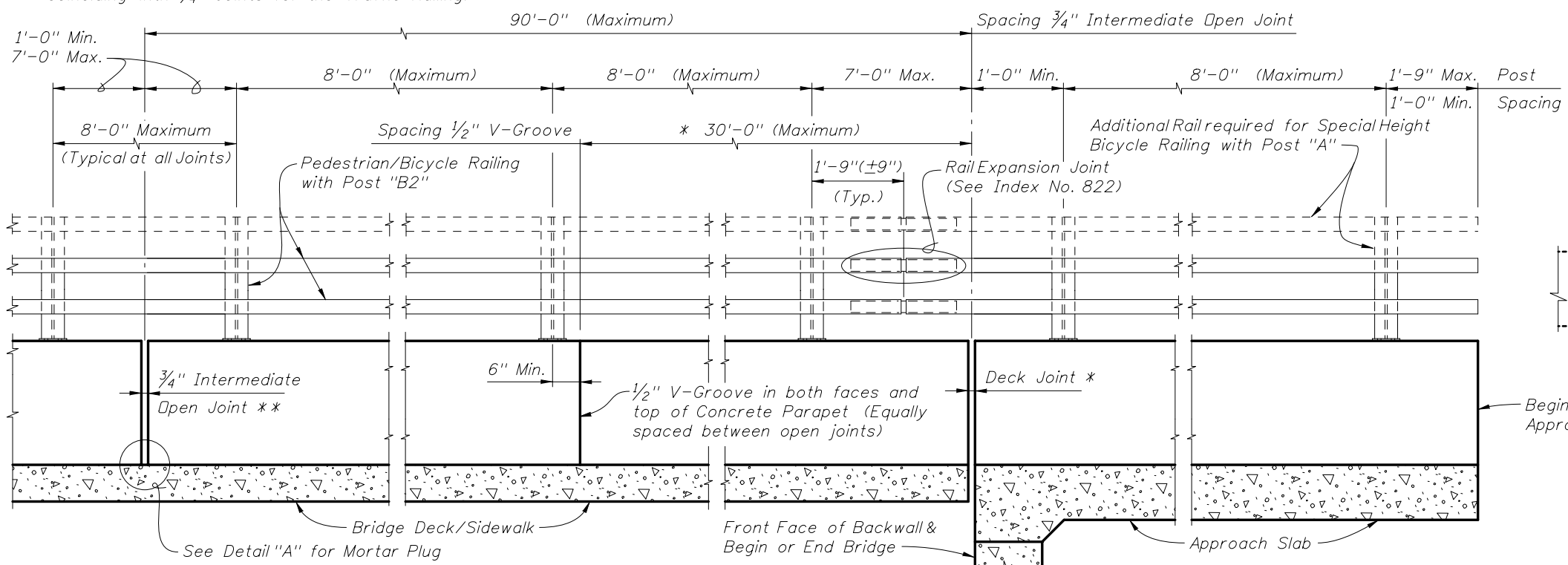


PLAN
(Rails, Posts & Reinforcing Steel not shown for clarity)

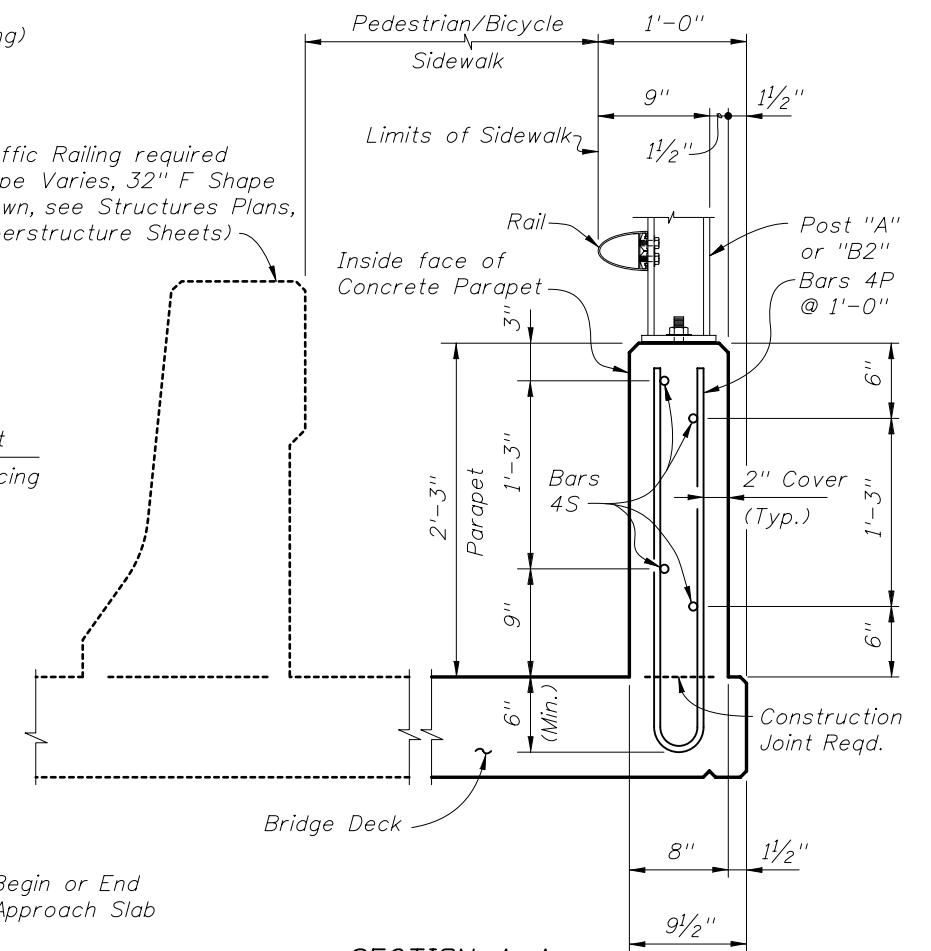
** 3/4" Intermediate Open Joints shall be provided at locations coinciding with 3/4" Joints for the Traffic Railing.



ELEVATION OF INSIDE FACE OF RAILING
(Reinforcing Steel not shown for clarity)
(Aluminum Bullet Railing Shown, For Bridge Fencing see Index Nos. 810, 811 or 812)

* See Structures Plans, Superstructure Sheets for actual dimensions and joint orientation. Open Parapet Joints at Deck Expansion Joint locations shall match the dimension of the Deck Joint. For treatment of Railings on skewed bridges see Index No. 490. Deck Joint at Begin Bridge or End Bridge shown. Deck Joint at Pier or Intermediate Bent similar.

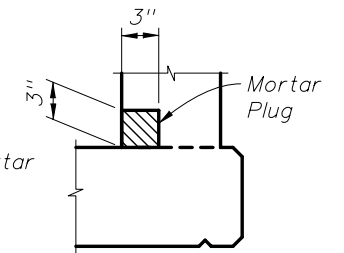
Traffic Railing required (Type Varies, 32" F Shape shown, see Structures Plans, Superstructure Sheets)



SECTION A-A
(Typical Section Thru Bridge Deck Shown, Section Thru Approach Slab Similar)
(Aluminum Bullet Railing Shown, For Bridge Fencing see Index Nos. 810, 811 or 812)

NOTE:

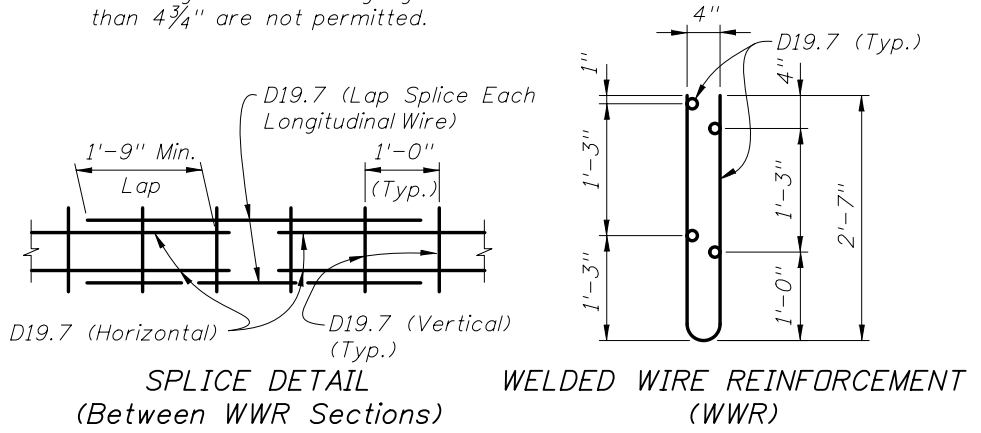
At Intermediate Open Joints, the lower 3" portion of the open joint shall be plugged by filling it with mortar in accordance with Section 400 of the Specifications.



DETAIL "A" - SECTION AT INTERMEDIATE OPEN JOINT

ALTERNATE REINFORCING (WELDED WIRE REINF.) DETAILS

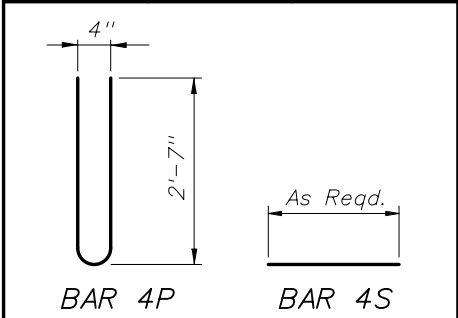
NOTE: Place wire panels to minimize the end overhang. End Overhangs greater than 4 3/4" are not permitted.



CONVENTIONAL REINFORCING STEEL BENDING DIAGRAMS

BILL OF REINFORCING STEEL

MARK	SIZE	LENGTH
P	4	5'-5"
S	4	As Req.



ESTIMATED CONCRETE PARAPET QUANTITIES

ITEM	UNIT	QUANTITY
Concrete	CY/LF	0.056
Reinforcing Steel	LB/LF	6.29

(The above quantities are based on a deck with a 2% cross slope)

REINFORCING STEEL NOTES:

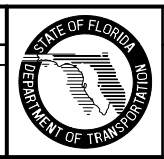
- All bar dimensions in the bending diagrams are out to out.
- The reinforcement for the parapet on a retaining wall shall be the same as detailed above for a 8" deck.
- All reinforcing steel at the open joints shall have a 2" minimum cover.
- Bars 4S may be continuous or spliced at the construction joints. Bar splices for Bars 4S shall be a minimum of 1'-9".
- At the option of the Contractor Welded Wire Reinforcement (WWR) may be used in lieu of all Bars 4P and 4S. Welded Wire Reinforcement shall conform to ASTM A497.

PEDESTRIAN/BICYCLE RAILING NOTES:

- CONCRETE PARAPET:** Concrete parapet shall be placed vertical and top surface shall be level transversely.
- RAIL AND POST DETAILS:** For Rail, Post, Rail Expansion Joint fabrication and installation details and notes see Index No. 822.
- BRIDGE FENCING:** For Bridge Fencing see Index Nos. 810, 811 or 812 in lieu of Posts and Rails on Index No. 822.

REVISIONS

DATE	BY	DESCRIPTION	DATE	BY	DESCRIPTION
01/01/10	SJN	Changed Post offset dimensions to Joints.			



2010 Interim Design Standard

PEDESTRIAN/BICYCLE RAILING

Interim Date	Sheet No.
01/01/10	1 of 1
Index No.	
820	