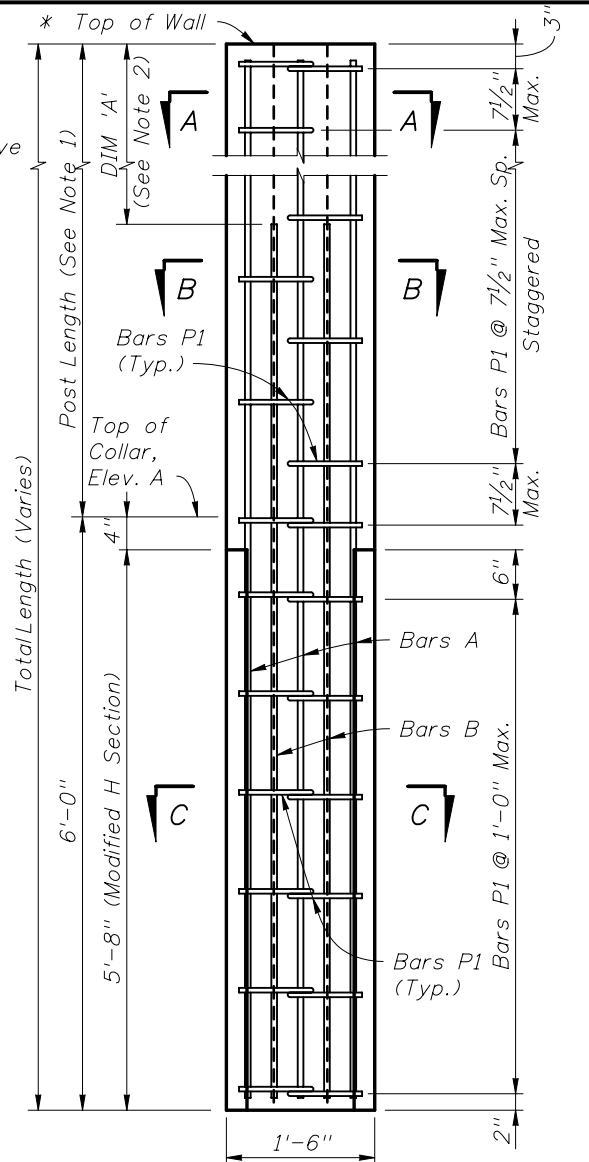
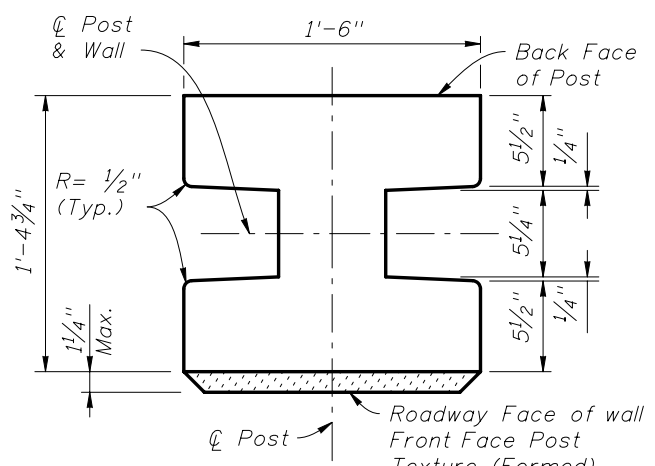


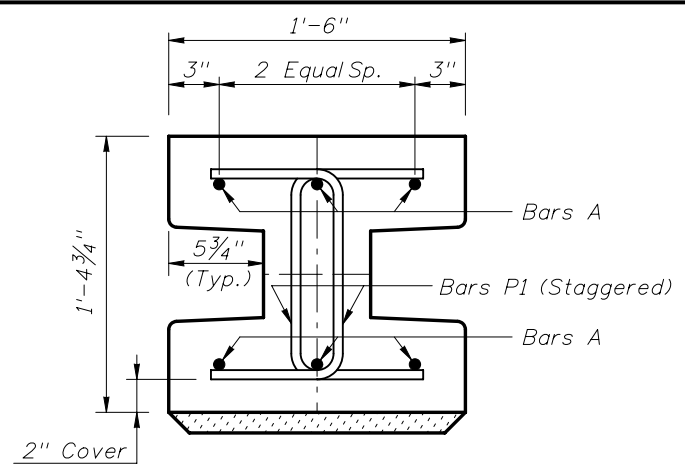
POST IN AUGERED HOLE
(Cast-In-Place Collar shown, Precast Collar similar)



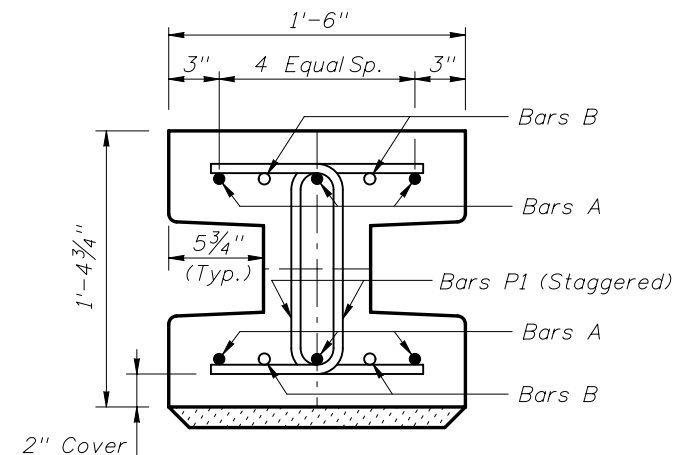
POST DETAIL WITH C-I-P COLLAR
(Prior to placement in augered hole)



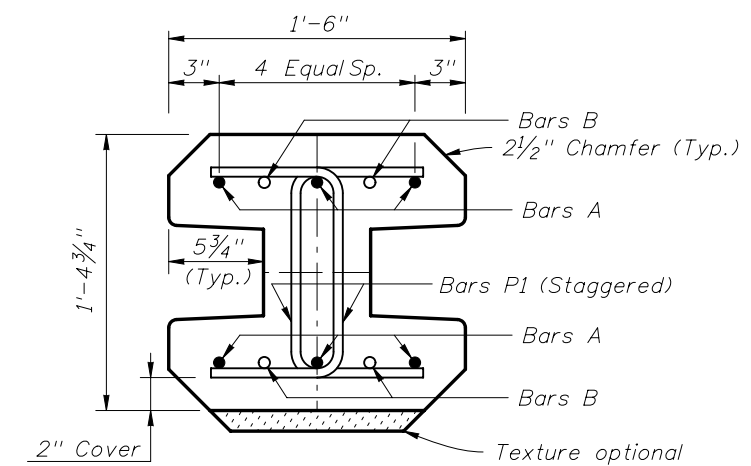
TYPICAL POST SECTION
(H Section)



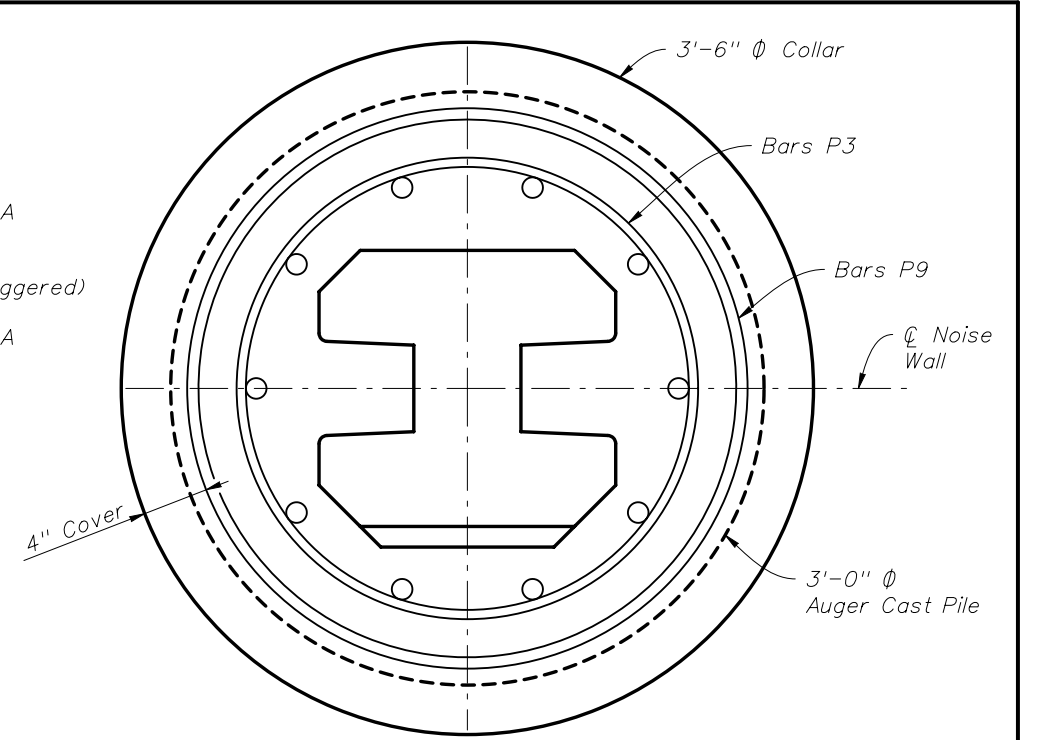
SECTION A-A
(H Section)



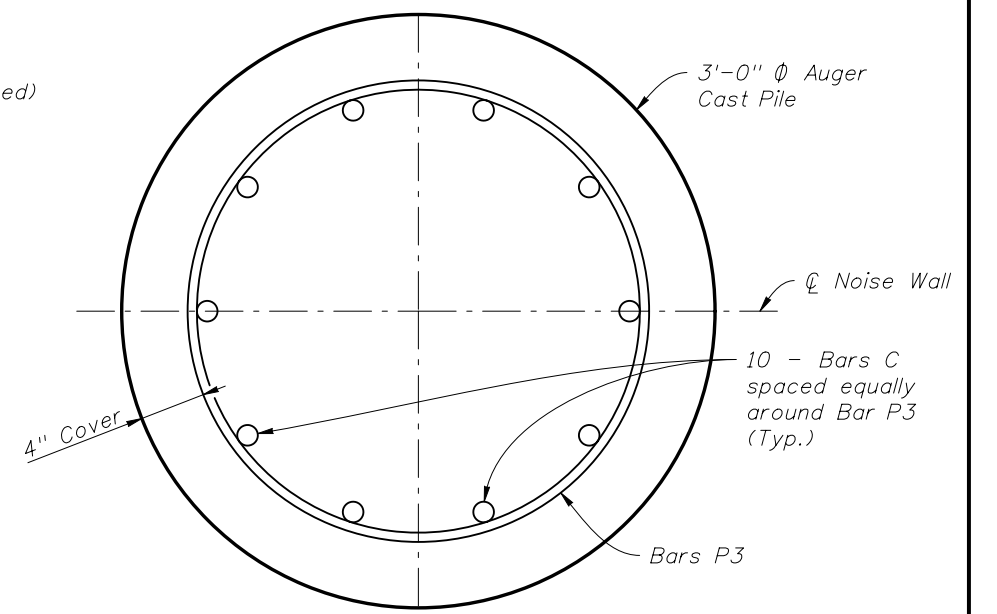
SECTION B-B
(H Section)



SECTION C-C
(Modified H Section)



SECTION D-D

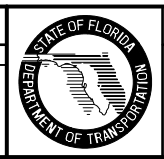


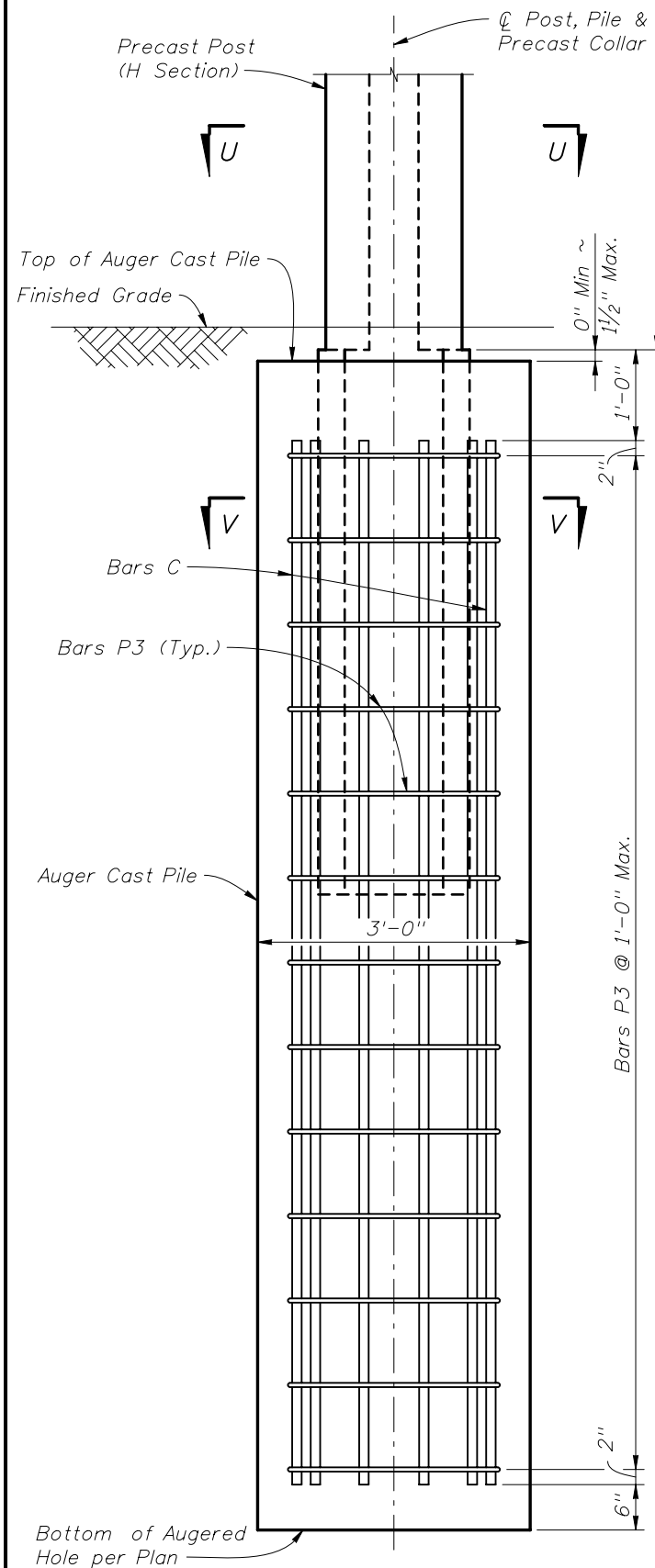
SECTION E-E

- NOTES:**
1. For Post and Pile Lengths, see Index No. 5206.
 2. For Table of Reinforcing Steel Sizes and DIM 'A' see Index No. 5206.
 3. For Precast Collar Option see Sheet 2 of 7.

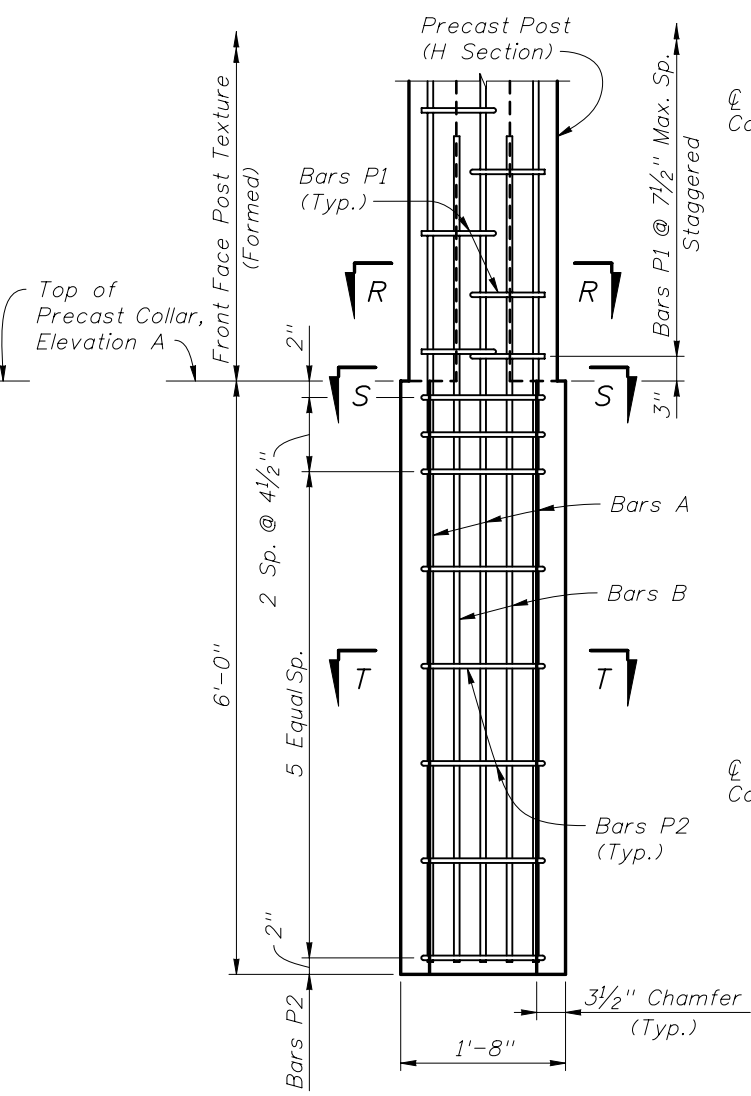
PILE/POST CONNECTION OPTION A

REVISIONS			
DATE	BY	DESCRIPTION	
01/01/10	SJN	Side cover in auger cast piles changed to 4"; Sheet redrawn and Sections renamed.	



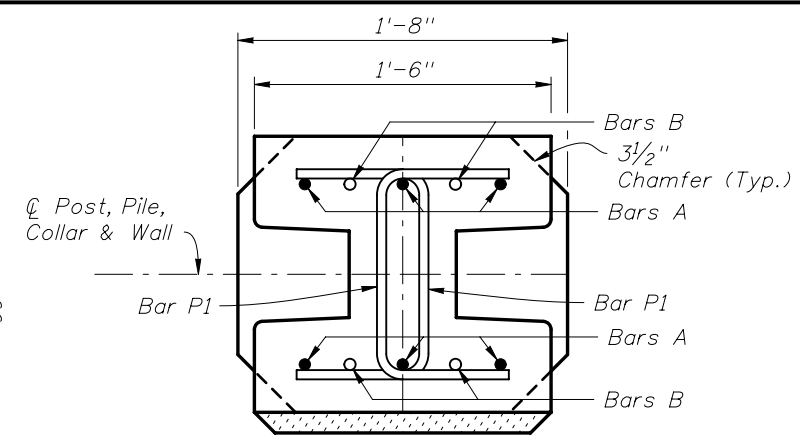


PRECAST COLLAR IN AUGER CAST PILE
(Collar and Post reinforcing steel not shown)

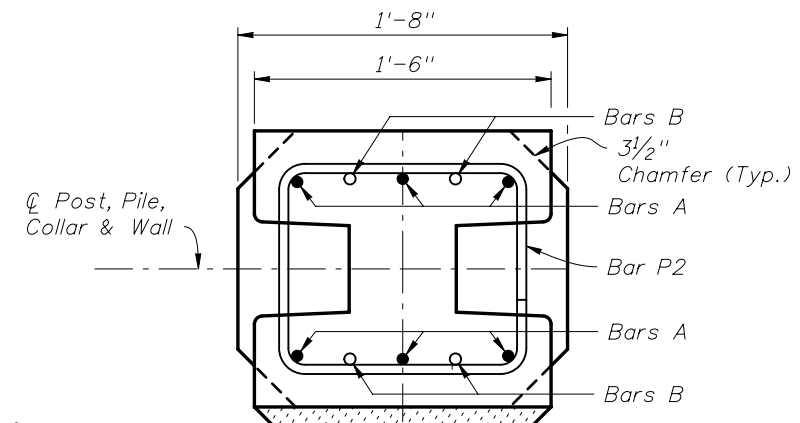


PRECAST COLLAR DETAIL

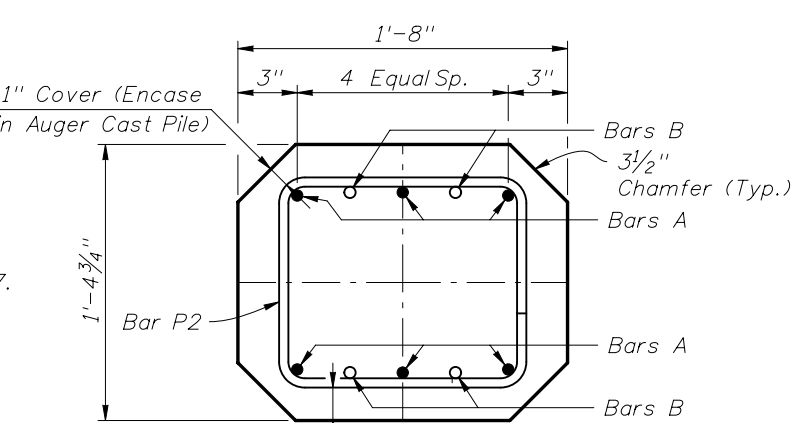
- NOTES:
1. For Post and Pile Lengths, see Index No. 5206.
 2. For Reinforcing Steel Sizes, see Index No. 5206.
 3. For Pile/Post Connection Option A, see Sheet No. 1 of 7.



SECTION R-R

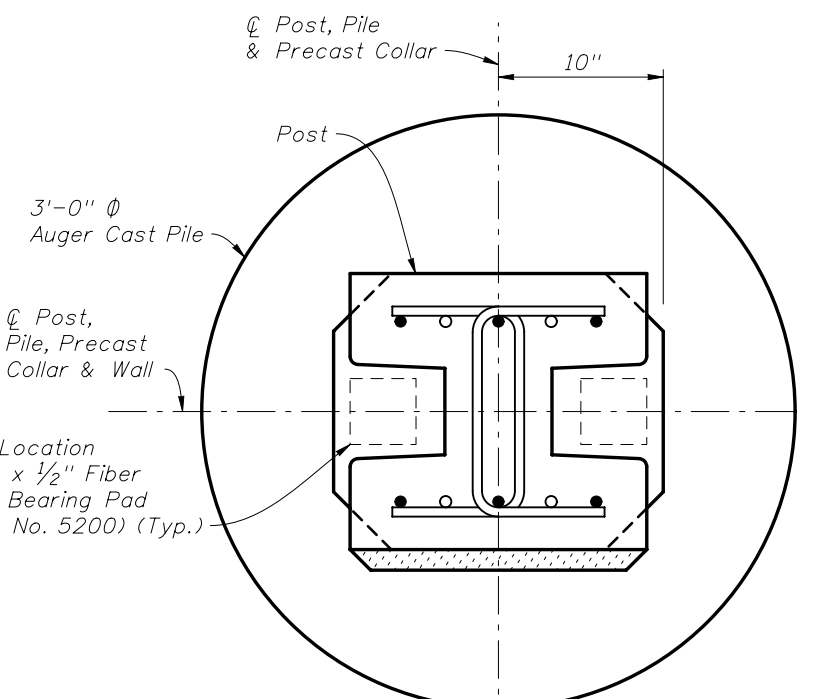


SECTION S-S

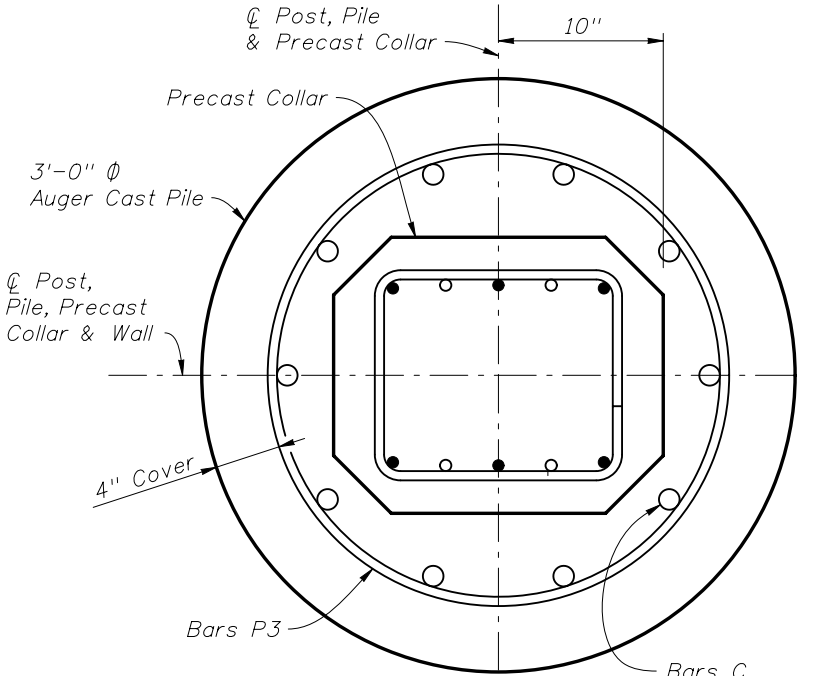


SECTION T-T

* - Unless Otherwise Noted



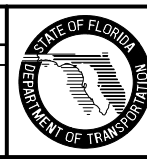
SECTION U-U



SECTION V-V

PRECAST COLLAR FOR PILE/POST CONNECTION OPTION A

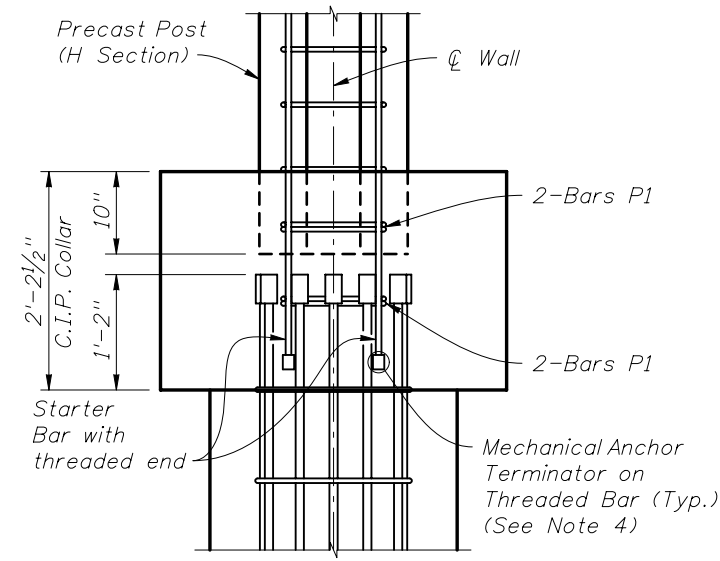
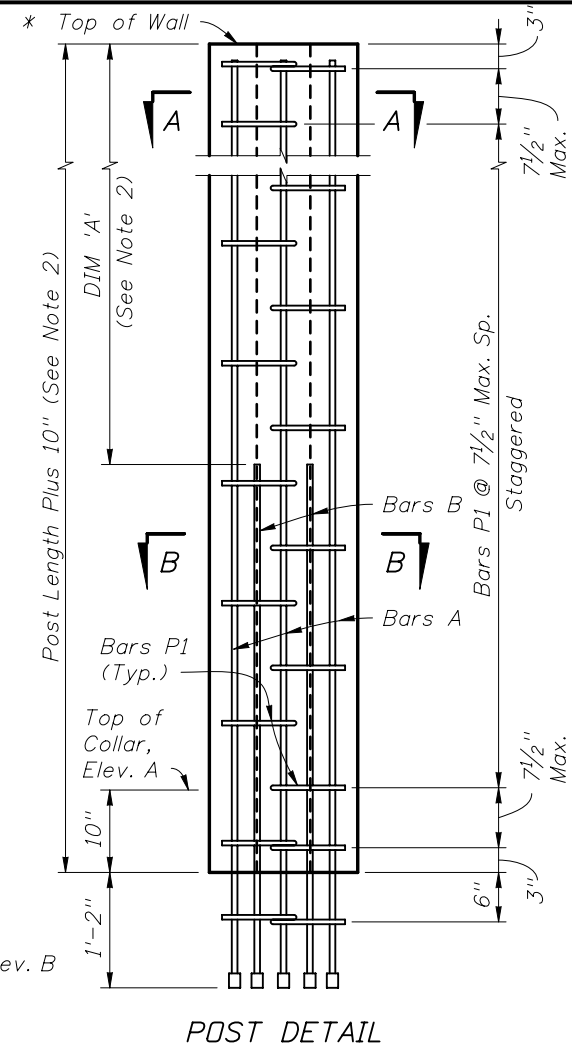
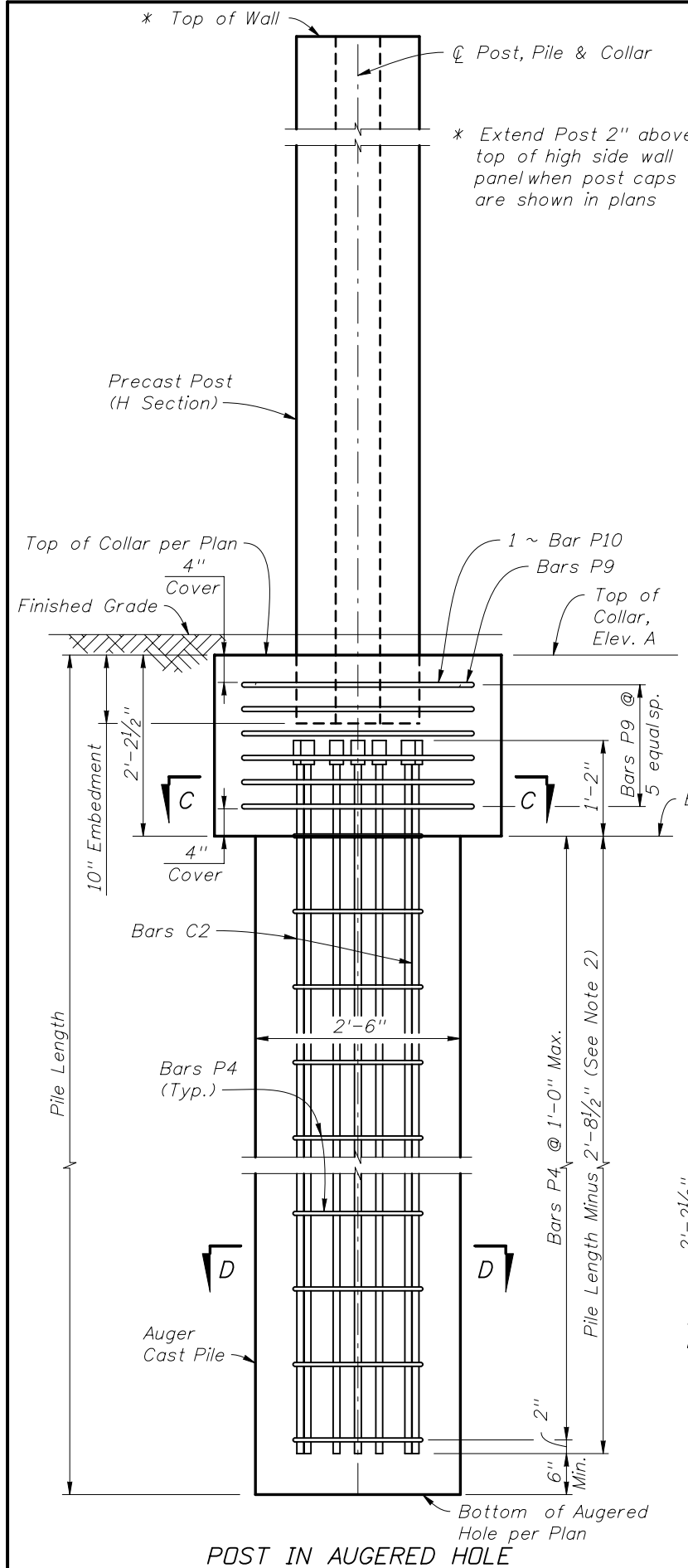
REVISIONS			REVISIONS		
DATE	BY	DESCRIPTION	DATE	BY	DESCRIPTION
01/01/10	SJN	Side cover in auger cast piles reduced to 4"; Sheet redrawn and Sections renamed.			



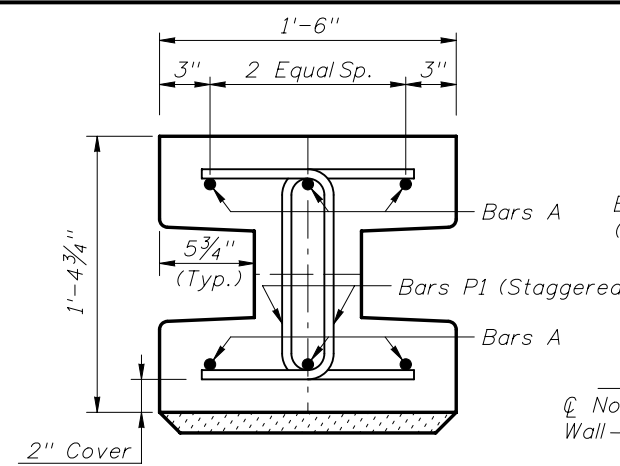
2010 Interim Design Standard

**PRECAST SOUND BARRIERS -
PILE AND POST REINFORCING STEEL**

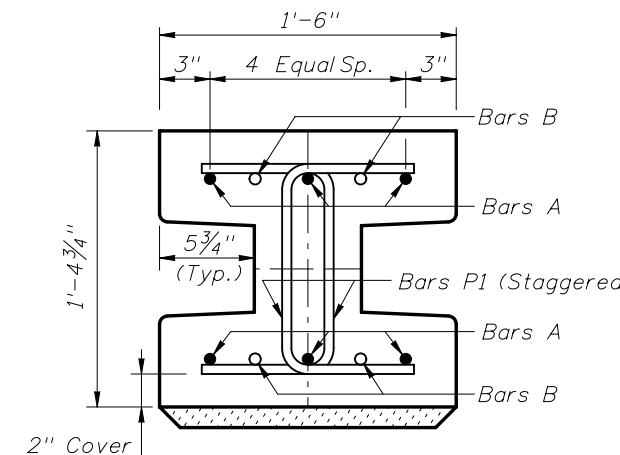
Interim Date: 01/01/10
Sheet No.: 2 of 7
Index No.: 5205



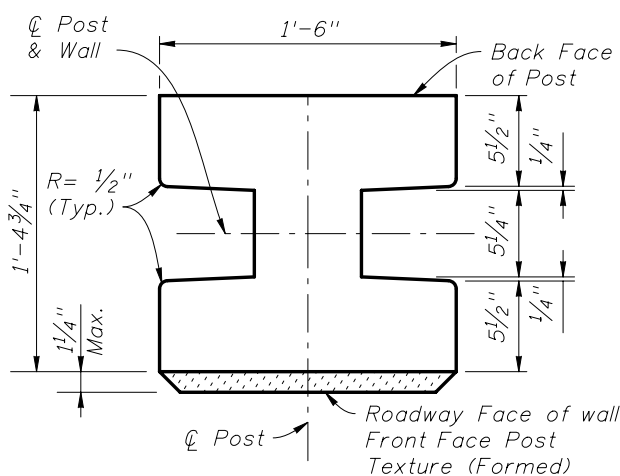
LAP AND COLLAR DETAIL
(Looking down the wall,
Bars P9 & P10 not shown)



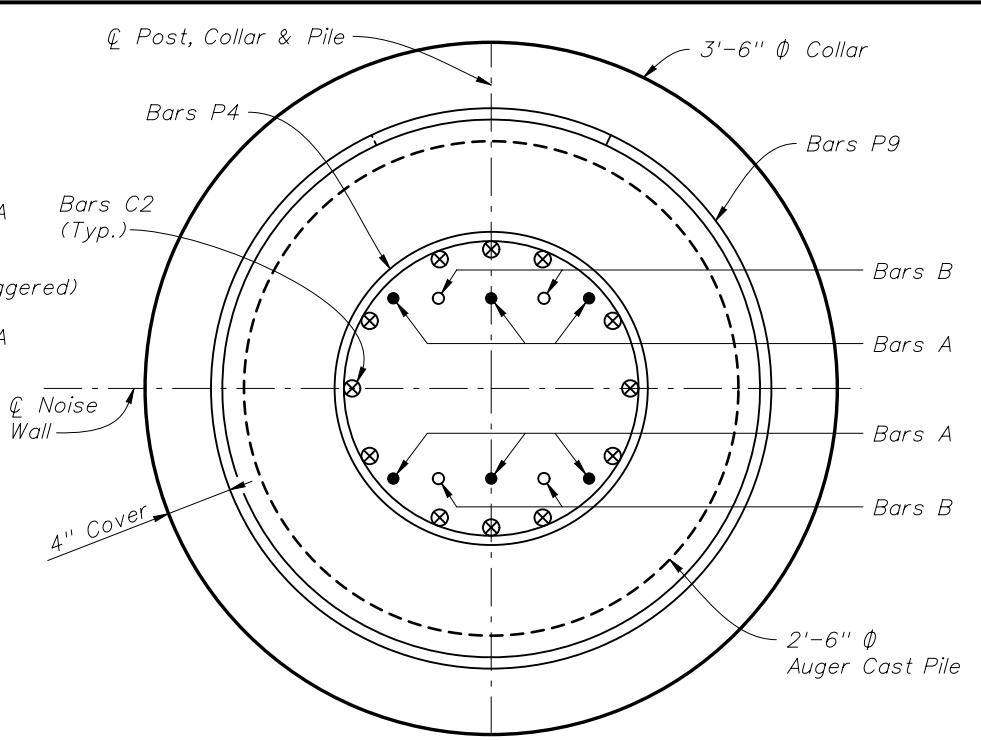
SECTION A-A
(H Section)



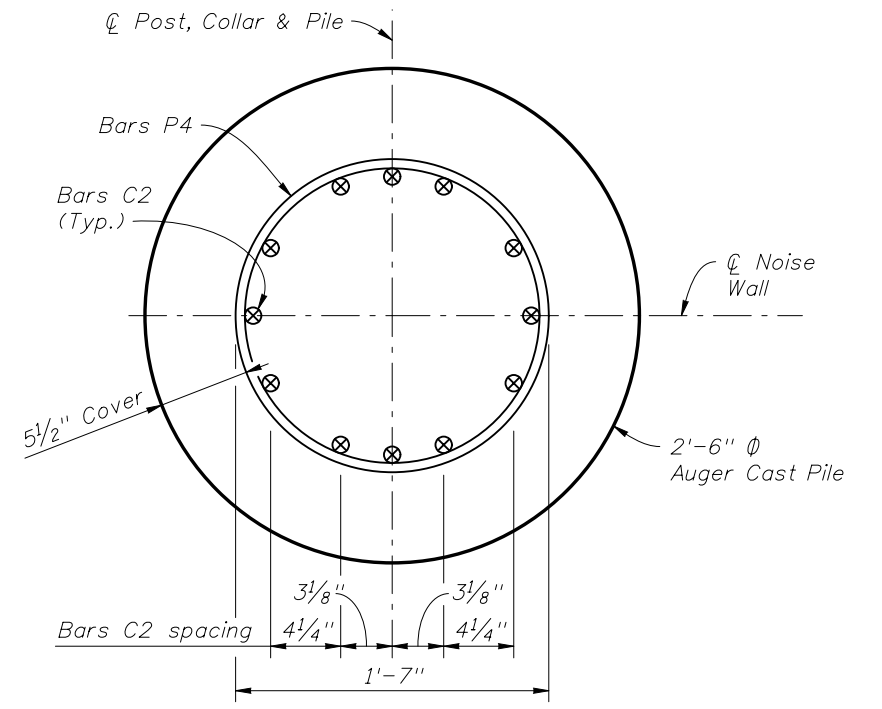
SECTION B-B
(H Section)



TYPICAL POST SECTION
(H Section)



SECTION C-C

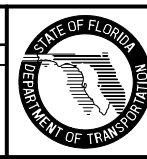


SECTION D-D

- NOTES:
1. A precast collar shall not be permitted with this Pile/Post Connection Option.
 2. For Post and Pile Lengths see Index No. 5206.
 3. For Table of Reinforcing Steel Sizes and DIM 'A' see Index No. 5206.
 4. Mechanical Anchor Terminators shall develop 125% of the specified yield strength of the bar.

PILE/POST CONNECTION OPTION B

REVISIONS			
DATE	BY	DESCRIPTION	
01/01/10	SJN	All details redrawn. Removed AUGERED PILE REINFORCEMENT DETAIL.	



2010 Interim Design Standard
**PRECAST SOUND BARRIERS -
PILE AND POST REINFORCING STEEL**

Interim Date
01/01/10
Sheet No.
3 of 7
Index No.
5205