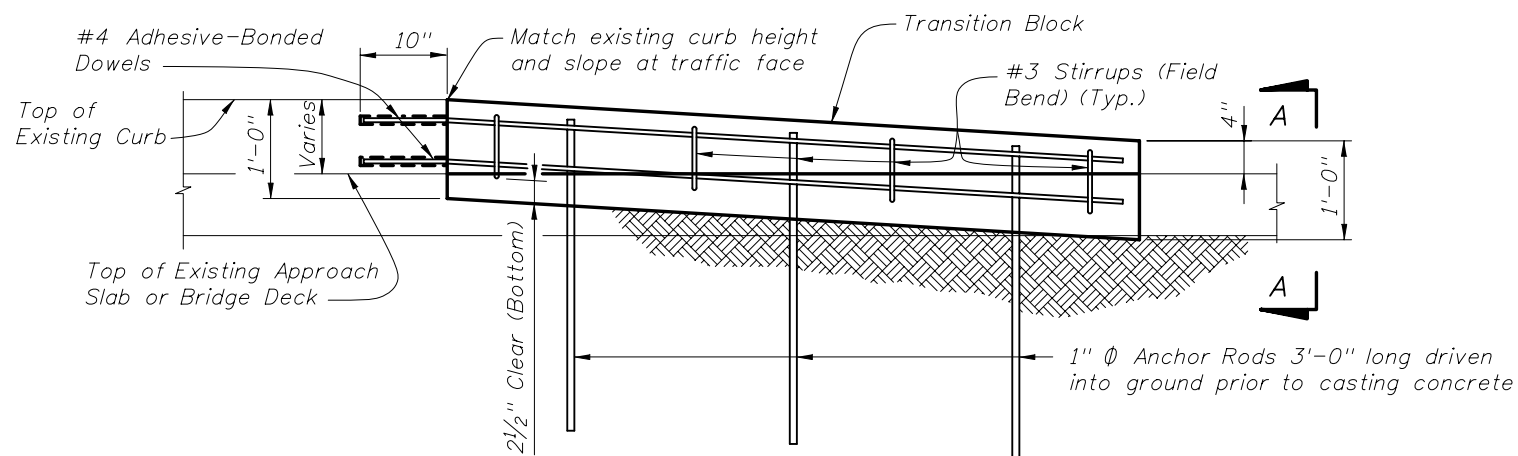
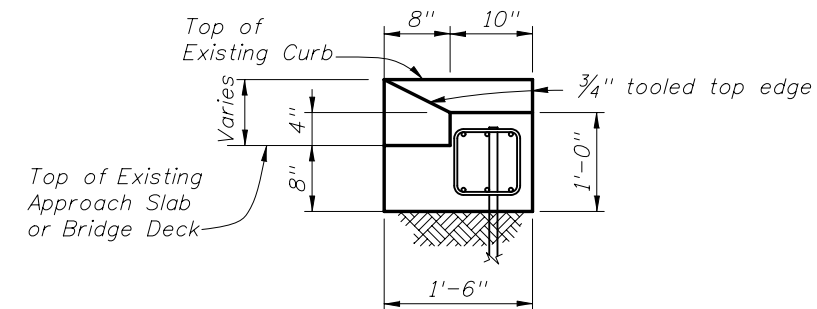


PLAN VIEW OF TRANSITION BLOCK  
(GUARDRAIL NOT SHOWN FOR CLARITY)

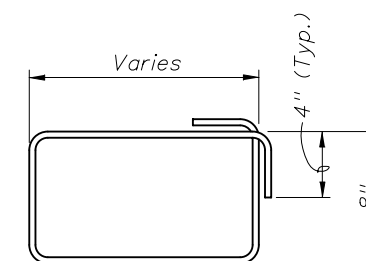


ELEVATION OF TRANSITION BLOCK  
(GUARDRAIL AND POSTS NOT SHOWN FOR CLARITY)

ESTIMATED QUANTITIES		
ITEM	UNIT	QUANTITY
Concrete Class NS	CY	0.4
Reinforcing Steel	LB	61
Guardrail (Reset)	LF	12.5



END VIEW A-A



#3 STIRRUP (FIELD BEND)

NOTES:

CONCRETE: Concrete for Transition Blocks shall be Class NS.

REINFORCING STEEL: Reinforcing steel shall be ASTM A615, Grade 60.

ANCHOR RODS: Steel Anchor Rods shall be ASTM A36, ASTM A709 Grade 36 or ASTM A615 Grade 60 hot-dip galvanized in accordance with Specification Section 962.

W BEAM GUARDRAIL: Guardrail components and installation shall be in accordance with Design Standards Index 400.

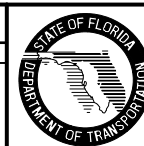
ADHESIVE-BONDED DOWELS: Adhesive Bonding Material Systems for Dowels shall comply with Specification Section 937 (Type HV) and be installed in accordance with Specification Section 416.

Adhesive Bonded Dowels are shown installed in an existing curb or sidewalk integrally reinforced with Approach Slab, Wingwall or Bridge Deck. For installations in existing detached curbs or sidewalks, install dowels in available sound concrete.

PAYMENT: Payment for Guardrail work will be made under Pay Item Guardrail (Reset) LF. Payment for Transition Block will be made under Pay Item Concrete Curb (Special), LF.

REVISIONS

DATE	BY	DESCRIPTION	DATE	BY	DESCRIPTION
01/01/10	SJN	Changed Concrete Class to "NS". Payment for Transition Block changed to "Concrete Curb (Special), LF.			



2010 Interim Design Standard

GUARDRAIL TRANSITIONS FOR EXISTING  
BRIDGE TRAFFIC RAILING RETROFITS

Interim Date	Sheet No.
01/01/10	3 of 3
Index No.	
403	