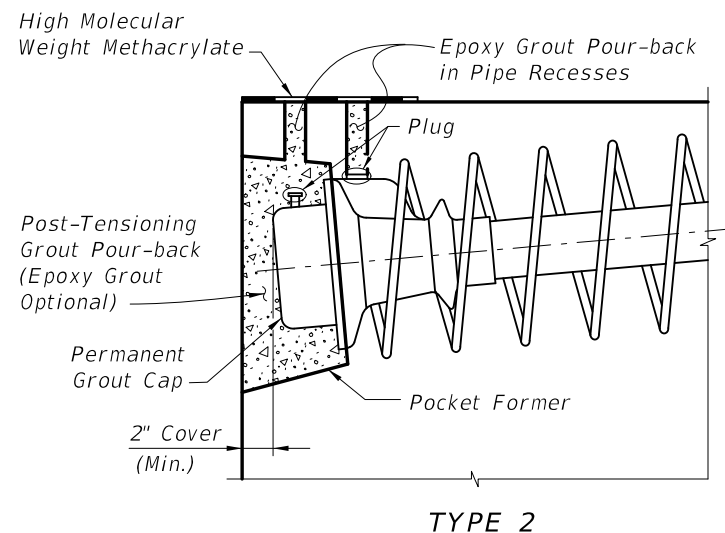
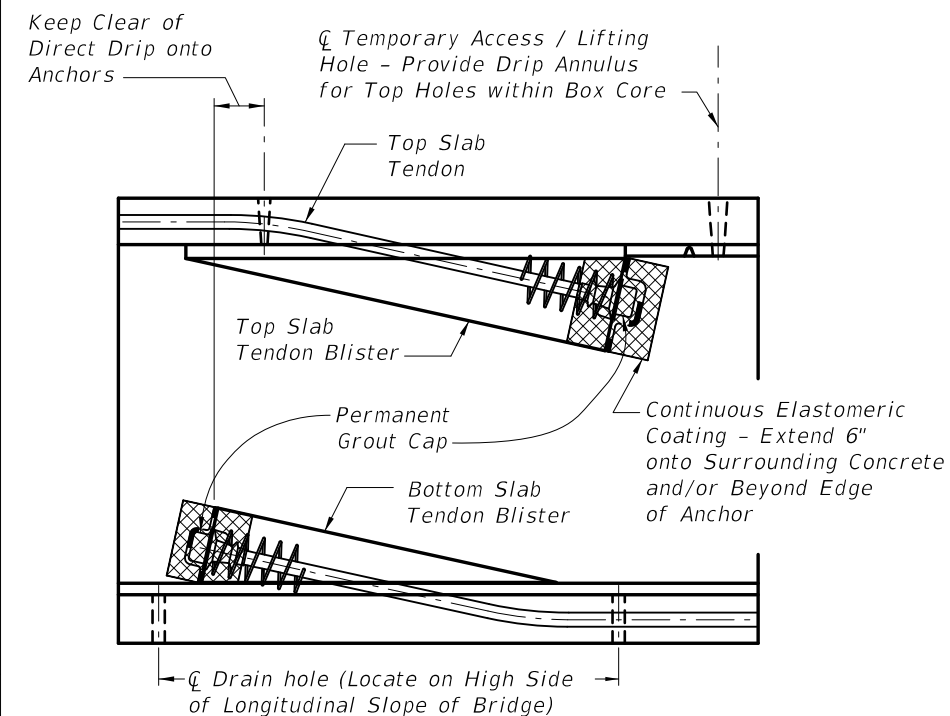


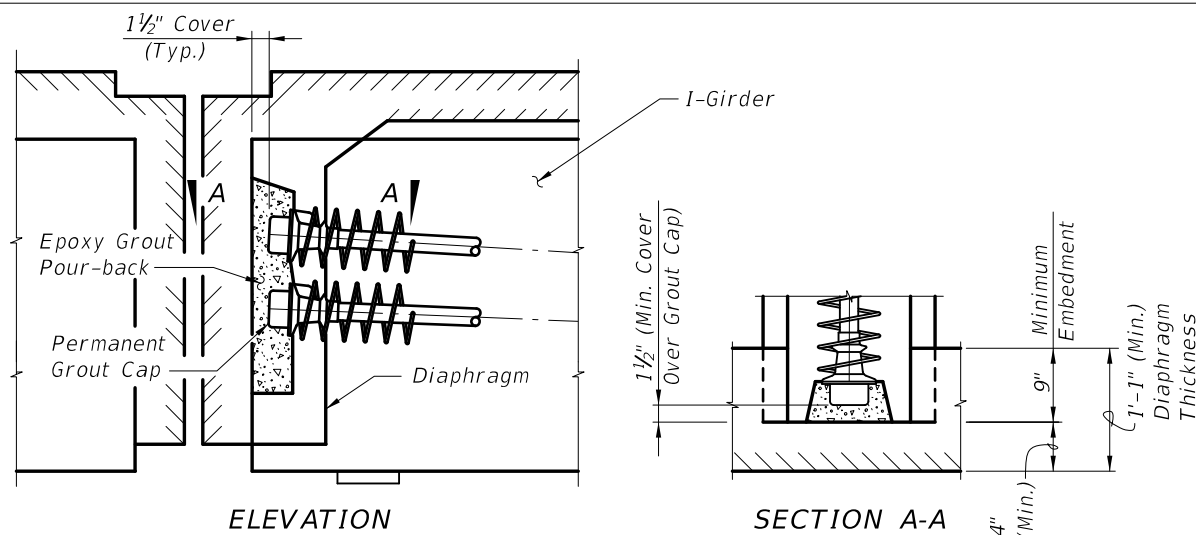
TYPE 1A **TYPE 1B**
TYPICAL ALTERNATE POUR-BACK TREATMENTS FOR ANCHOR PROTECTION ON EXPOSED SURFACES AND EXPANSION JOINTS



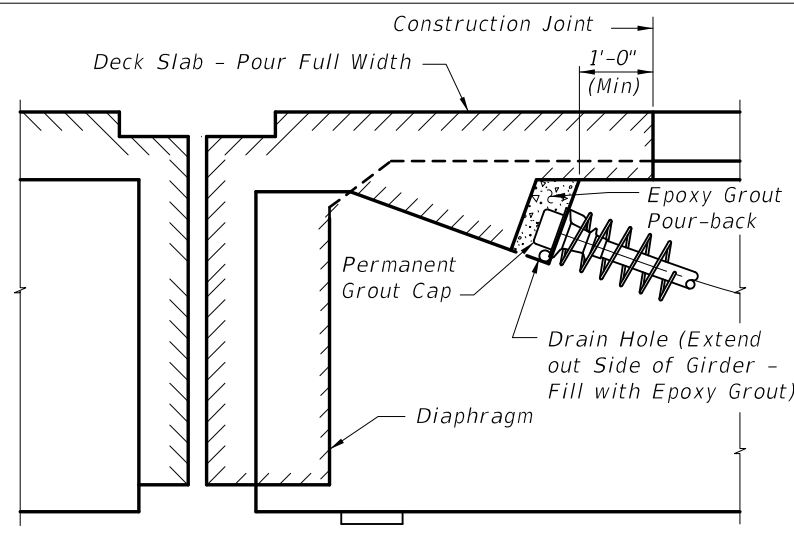
TYPE 2
TOP INSPECTED ANCHOR PROTECTION



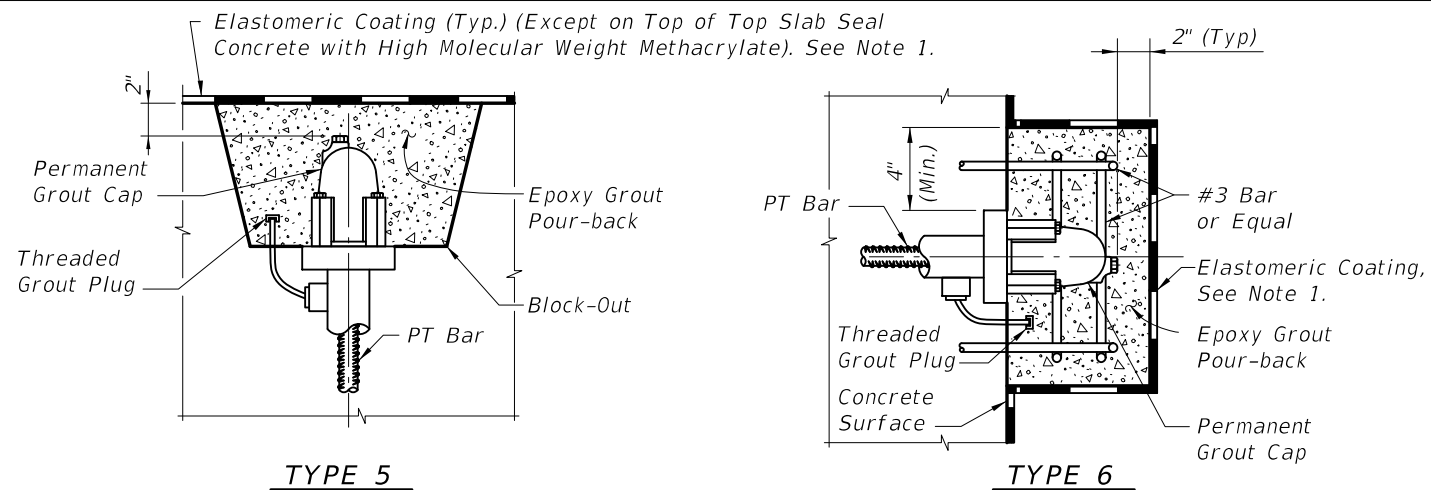
TYPE 3
ANCHOR PROTECTION FOR INTERIOR ANCHORS IN CELLULAR BOXES ON BLISTERS OR PIER SEGMENTS (NOT FOR USE IN EXPANSION JOINTS)



TYPE 4A
ANCHOR PROTECTION FOR POST-TENSIONED I-GIRDERS

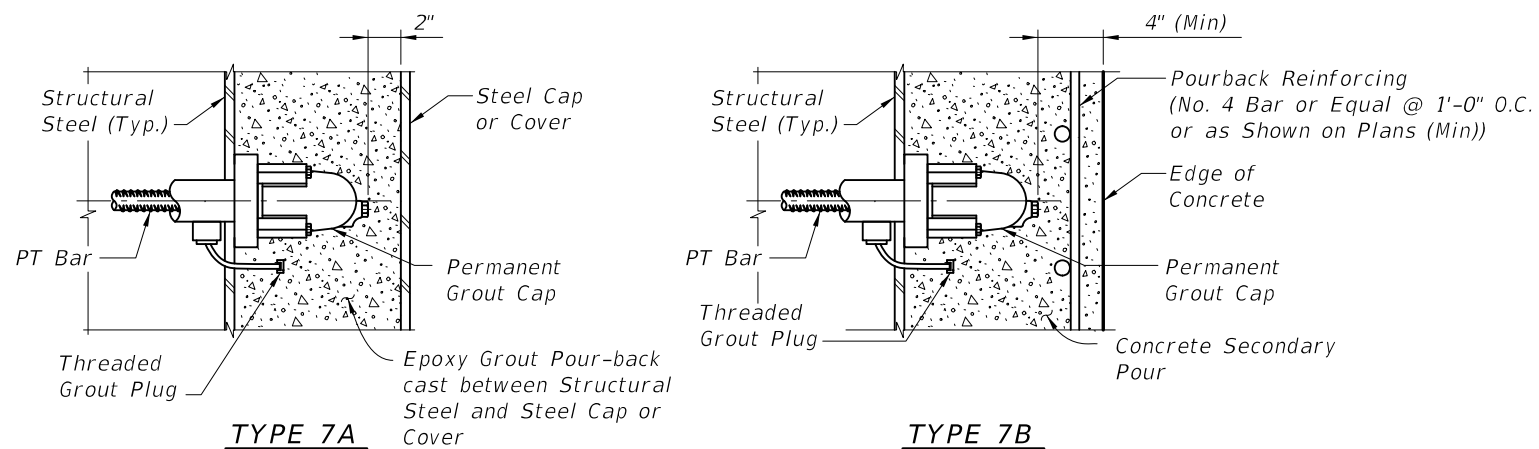


TYPE 4B



Notes:
 1. Extend elastomeric coating 12" onto concrete edges or 12" beyond edge of anchor pour-back.
 2. Use for integral caps only. For integral cap with strand, use Type 1A or 1B.

ANCHOR PROTECTION FOR PT BARS

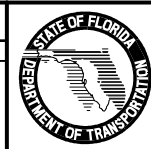


TYPE 7A
 See Note 2.

TYPE 7B
 (Shear Studs not Shown for Clarity)
 See Note 2.

REVISIONS

DATE	BY	DESCRIPTION	DATE	BY	DESCRIPTION
01/01/11	JVH	Changed Anchor & Grout Cap details for Type 5, 6, & 7. Added 7B & moved 8 & 9 to Sheet 2 of 2.			

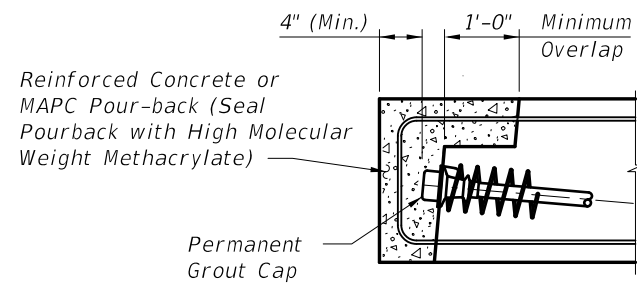


2010 Interim Design Standard

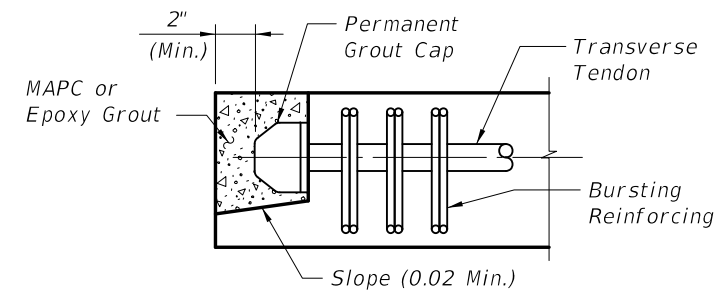
POST-TENSIONING ANCHORAGE PROTECTION

Interim Date 01/01/11
 Sheet No. 1 of 2

Index No. 21802

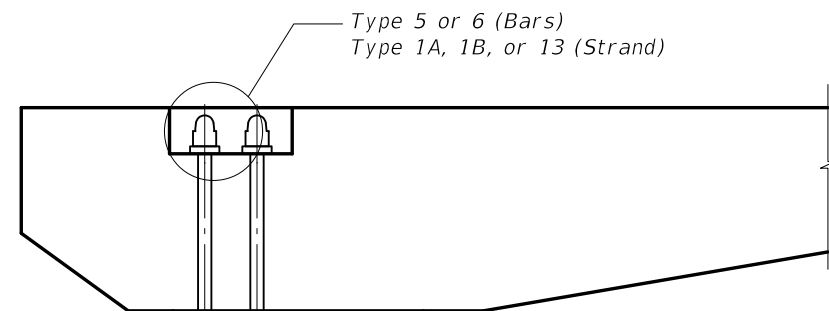


TYPE 8
FLAT SLAB
ANCHOR PROTECTION

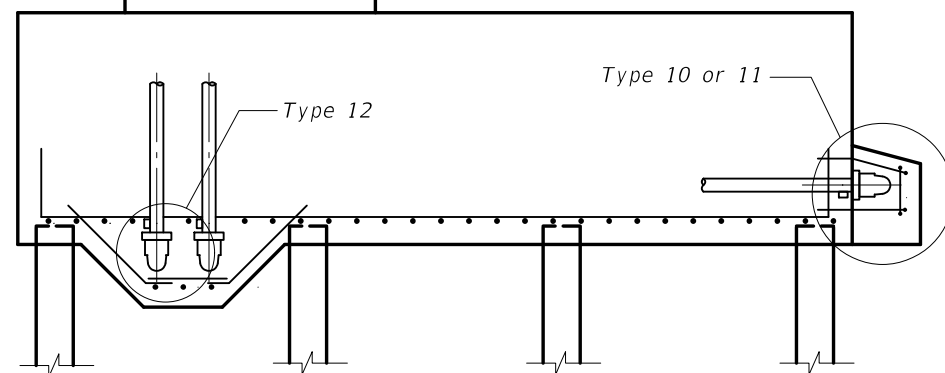


TYPE 9
TRANSVERSE TENDON
ANCHOR PROTECTION

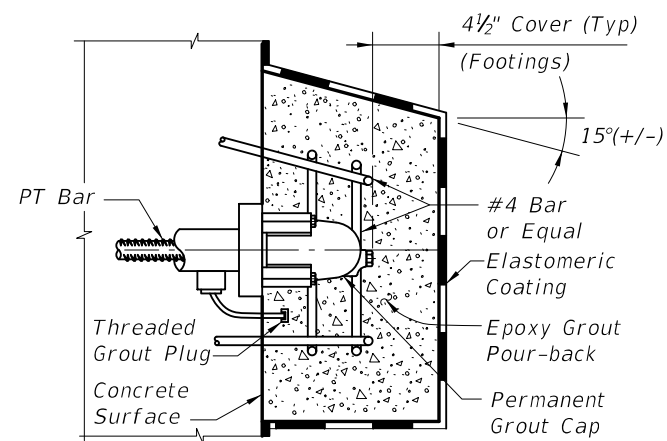
Notes:
 1. Traffic or Pedestrian/Bicycle Railing Not Shown for Clarity.
 2. Where Pourback is not Protected by Traffic or Pedestrian/Bicycle Railing, Coat Pourback with High Molecular Weight Methacrylate.



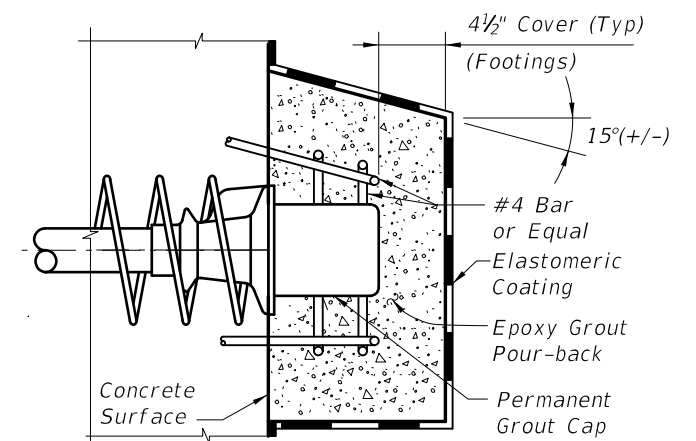
Notes:
 1. Extend elastomeric coating 12" onto concrete edges or 12" beyond edge of anchor pour-back.
 2. Dead End/Embedded anchors for strand are not allowed.
 3. Epoxy Grout Pourbacks for Type 10, 11 & 13 shall not exceed 16 c.f. and shall fully encompass intended anchor(s). Adjacent pours may be made for adjacent anchors after initial cure of previous pourback.



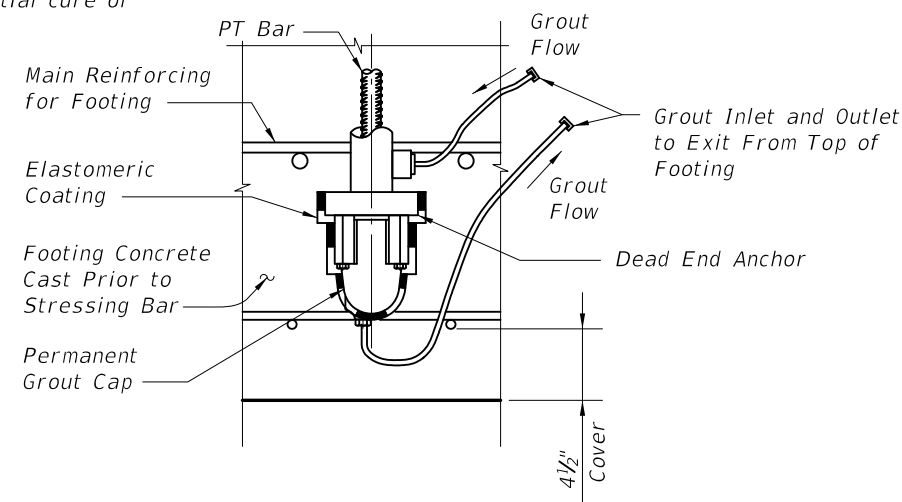
FOOTING/PIER SCHEMATIC



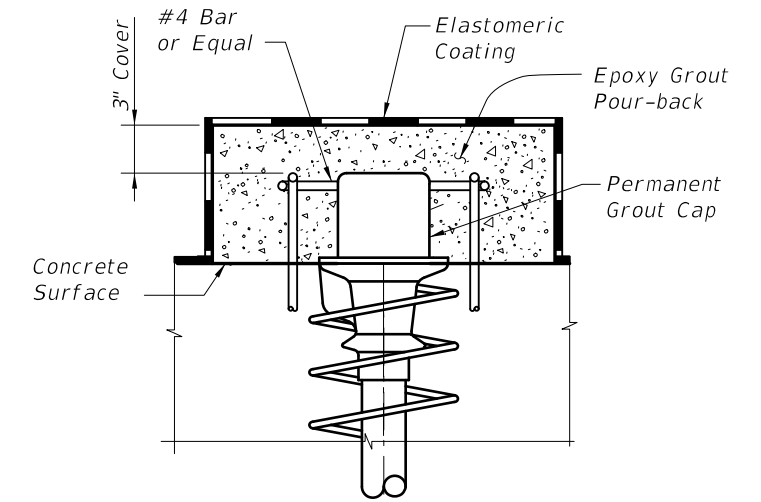
TYPE 10



TYPE 11



TYPE 12

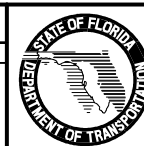


TYPE 13

ANCHOR PROTECTION FOR PT BARS/STRAND FOR POST-TENSIONED FOOTINGS/PIERS/C-PIERS

REVISIONS

DATE	BY	DESCRIPTION	DATE	BY	DESCRIPTION
01/01/11	JVH	New sheet added.			



2010 Interim Design Standard

POST-TENSIONING ANCHORAGE PROTECTION

Interim Date: 01/01/11
 Sheet No.: 2 of 2
 Index No.: 21802