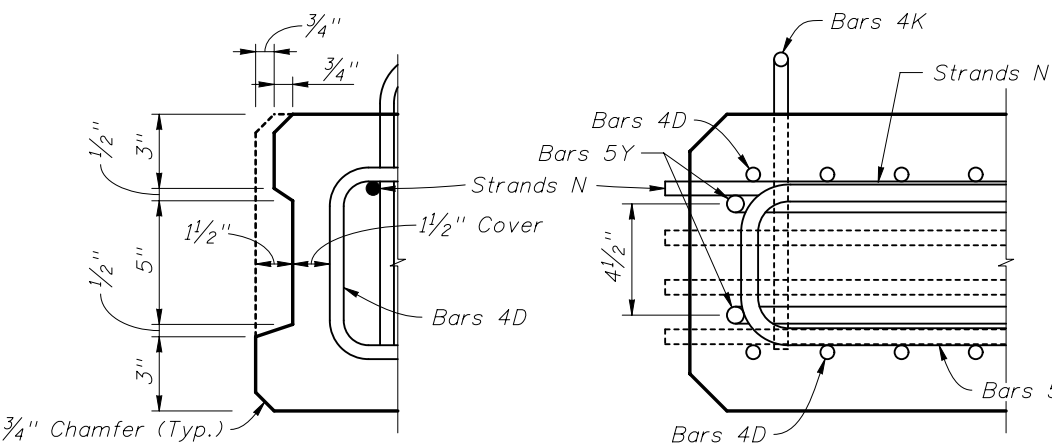
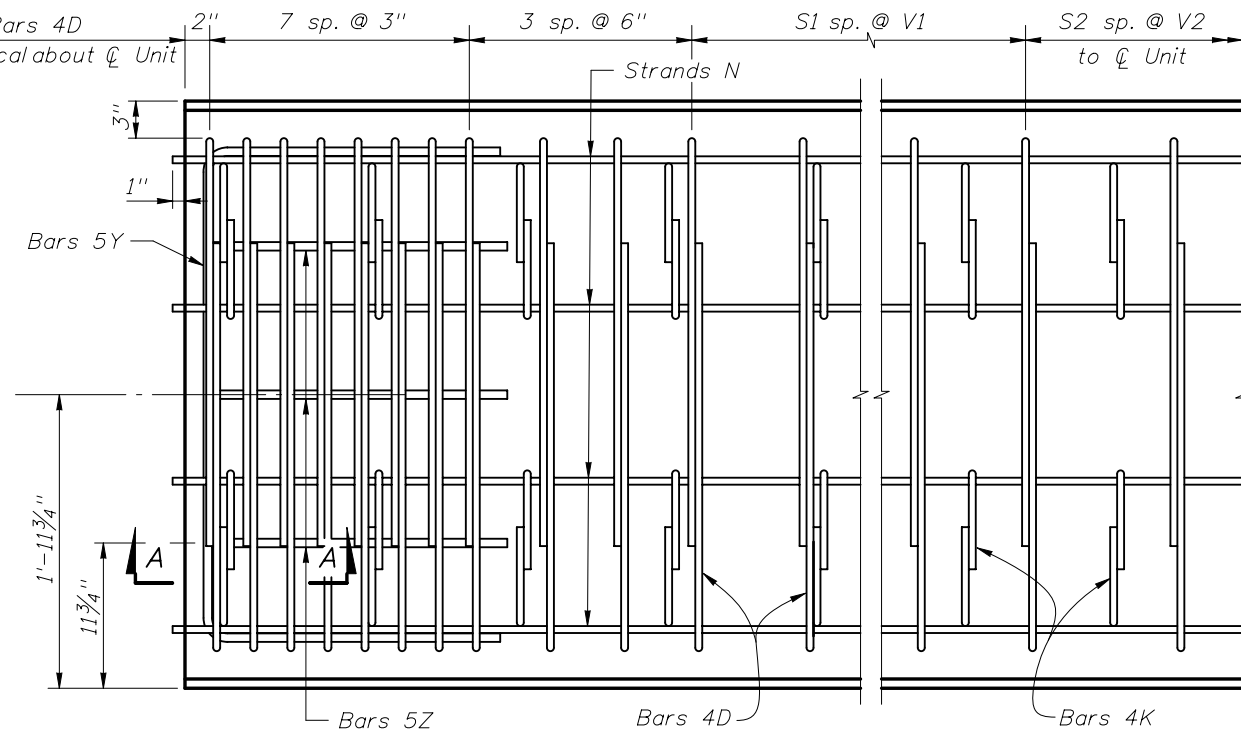


TYPICAL SECTION

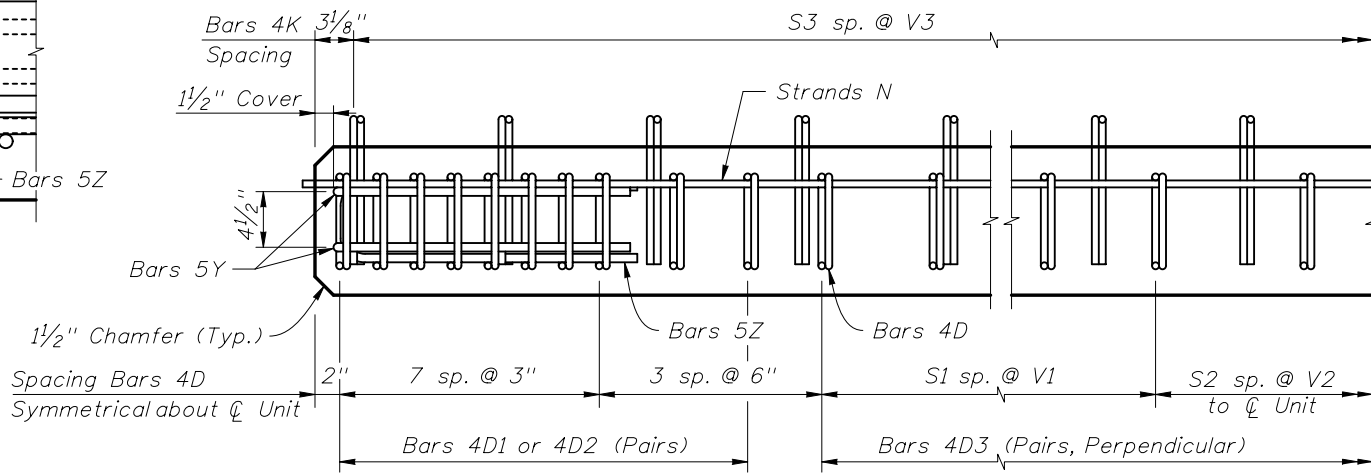


KEYWAY DETAIL

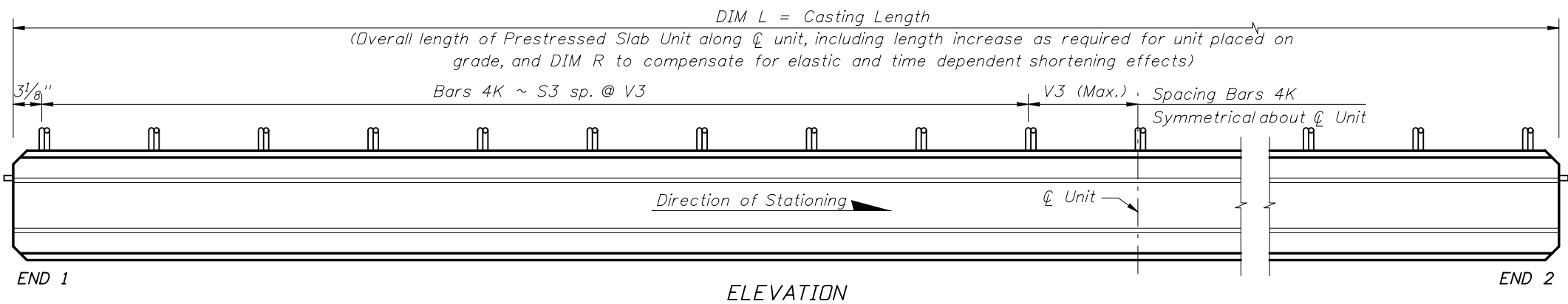
SECTION A-A



PLAN AT END OF PRESTRESSED SLAB UNIT



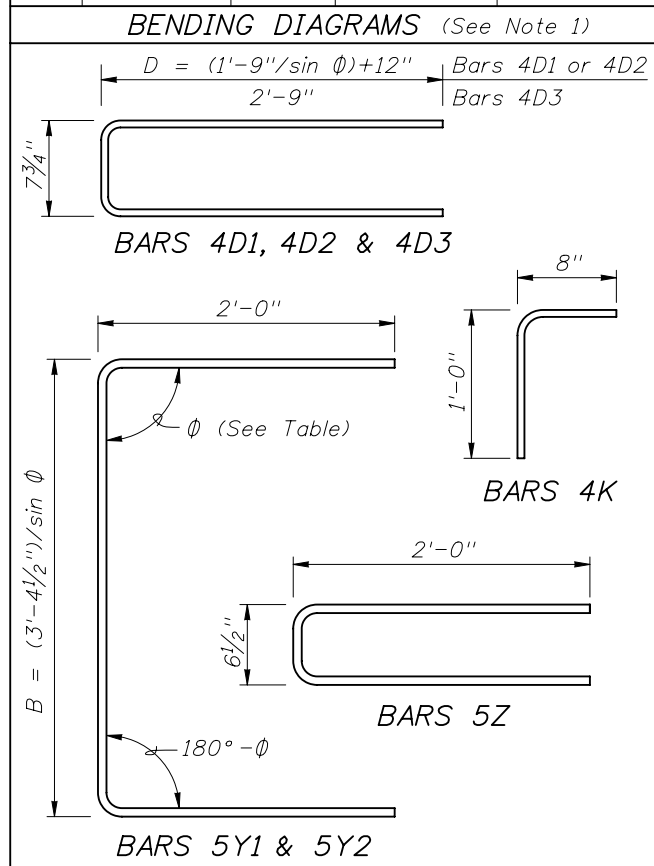
ELEVATION AT END OF PRESTRESSED SLAB UNIT



ELEVATION

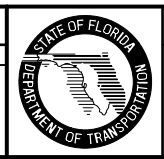
BILL OF REINFORCING STEEL FOR ONE UNIT ONLY

MARK	NOTE NUMBERS	SIZE	NUMBER REQUIRED	LENGTH (NOTE 1)
D1	4, 5 & 10	4	20 (End 1)*	Varies
D2	4, 5 & 10	4	20 (End 2)*	Varies
D3	5	4	See Table	6'-2"
K	4, 5	4	See Table	1'-8"
N	2, 8	3/8" Ø Strands	4	Dim. L + 2"
Y1	4, 10	5	2 (End 1)	Varies
Y2	4, 10	4	2 (End 2)	Varies
Z	-	5	6	4'-7"



NOTES:
 Work this Index with Index No. 20350. and Prestressed Standard Slab Units - Table of Variables in Structures Plans.
 For referenced notes, see Index No. 20350.
 For Dimensions B, D, L, R, V1 thru V3 and number of spaces S1 thru S3, see Prestressed Standard Slab Units - Table of Variables in Structures Plans.
 * See Note 4 for additional Bars 4D1 & 4D2 for skewed units.

REVISIONS			
DATE	BY	DESCRIPTION	DATE
01/01/10	TJB	New Design Standard	



2010 Interim Design Standard
12"x48" PRESTRESSED SLAB UNIT
- STANDARD DETAILS

Interim Date: 01/01/10
 Sheet No.: 1 of 1
 Index No.: **20354**