

## SIGN LIGHTING INSTALLATION

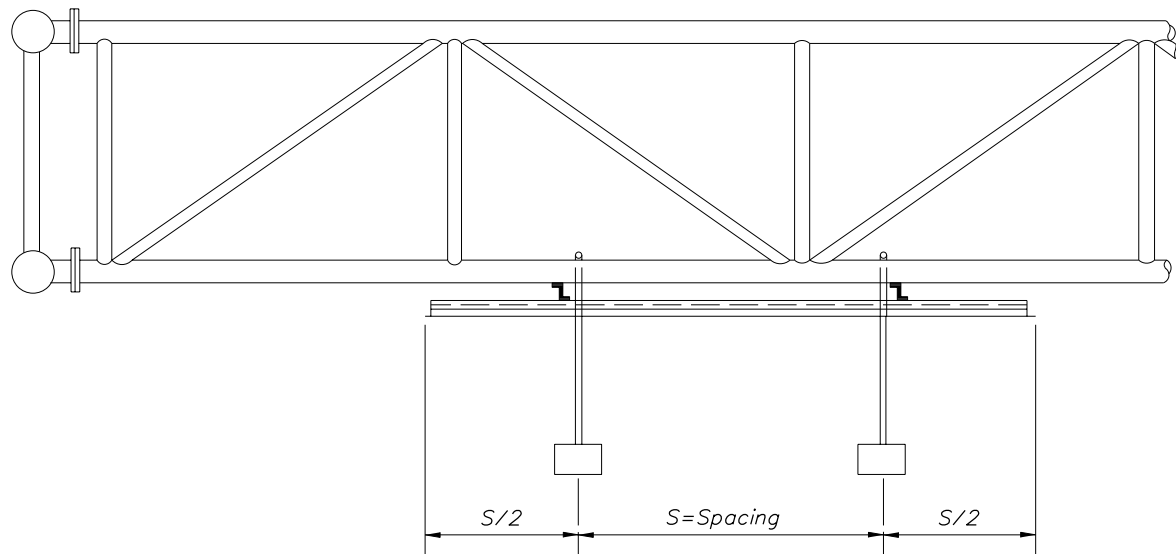
### Roadway Lighting included in contract:

The power for the sign lighting shall be provided from the roadway lighting circuit. The lighting plans shall indicate the sign location and a pullbox location for connection to the sign lights. The lighting contractor shall install pullbox and loop 2' of lighting circuit conductors in the pullbox for connection by the signing contractor.

The signing contractor shall furnish and install luminaires, Nema 3R enclosure, 30 amp breaker, conduit, conductors and all other electrical equipment necessary for connection to the lighting circuit.

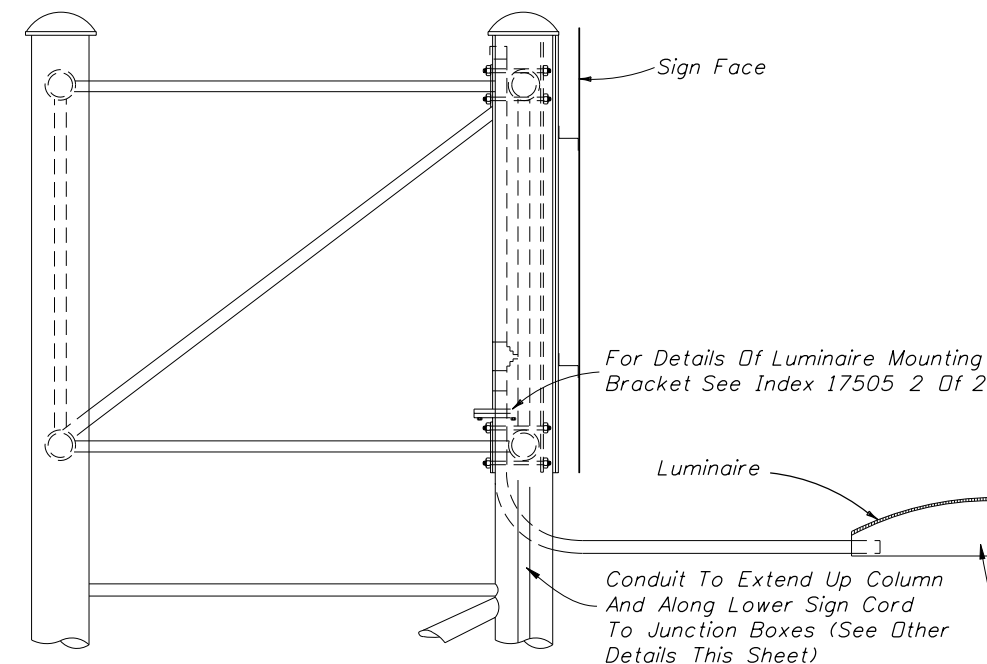
### Roadway Lighting not included in contract:

The signing plans shall include pay item numbers to furnish and install conduit, conductors, ground rods, pullboxes and service point equipment. The signing plans shall indicate the location of the service point equipment and circuit runs. The signing contractor shall provide all electrical equipment necessary for connection of the sign lights.



### PLACEMENT OF SIGN LIGHTS

1. Luminaire shall be mounted so the lamp center is 4' in front of the sign face.
2. Luminaire shall be mounted so the back of the fixture is placed 1' below the bottom edge of the sign face.
3. Luminaires from manufacturers who recommended their fixture be tilted shall be mounted on a bracket which provides this recommended tilt.
4. Photometric data for the Induction luminaire proposed for sign lighting shall be submitted for approval to the District Lighting Engineer, Florida Department Of Transportation.

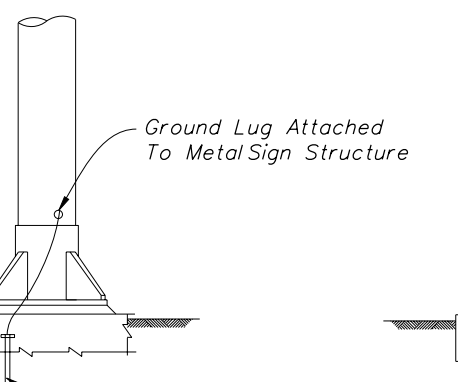
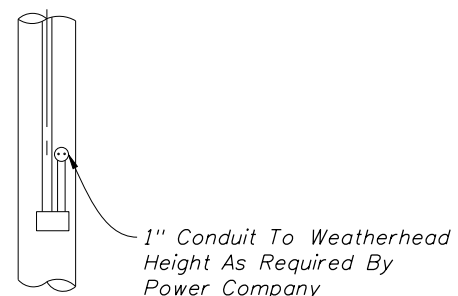


Luminaire Housing & Ballast Compartment Will Be Provided With Drain Plugs. Drain Plugs Will Be Removed And Screened Against Insects Upon Installation.

2-# 10 AWG THW Or THWN In 3/4" Galvanized Rigid Steel Conduit.

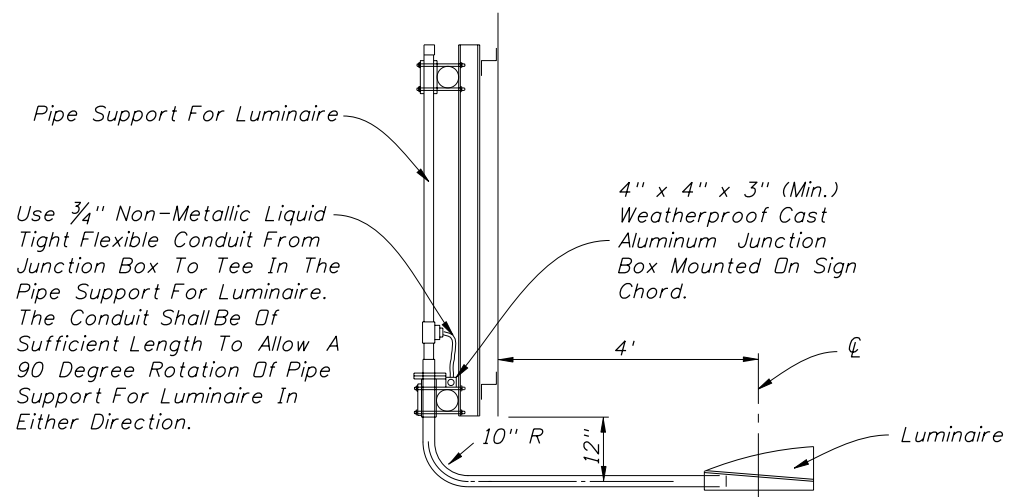
Nema 3R Waterproof Enclosure With A 30 Amp Breaker, Mounted On Sign Structure Away From Traffic. The Enclosure Shall Be Lockable By Padlock. Four Keys Shall Be Provided To The Maintaining Agency. Bond Wire To Run From Enclosure To Ground Lug In 1/2" Galvanized Rigid Steel Conduit.

6'-6"



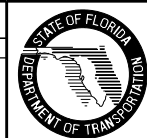
PLAN  
OVERHEAD POWER SUPPLY

U.L. Approved Ground Rod 5/8" x 20' Copper Clad With Approved Ground Connection To Be Placed In Pull Box For Inspection Purposes. Splices To Be Made With Compression Sleeves Then Properly Insulated & waterproofed



### REVISIONS

DATE	BY	DESCRIPTION	DATE	BY	DESCRIPTION
05/20/10	C.H.	Revised Notes and Detail in lower left PLAN OVERHEAD POWER SUPPLY.			



2010 Interim Design Standard

## EXTERNAL LIGHTING FOR SIGNS

Interim Date 07/01/10	Sheet No. 1 of 2
Index No. <b>17505</b>	