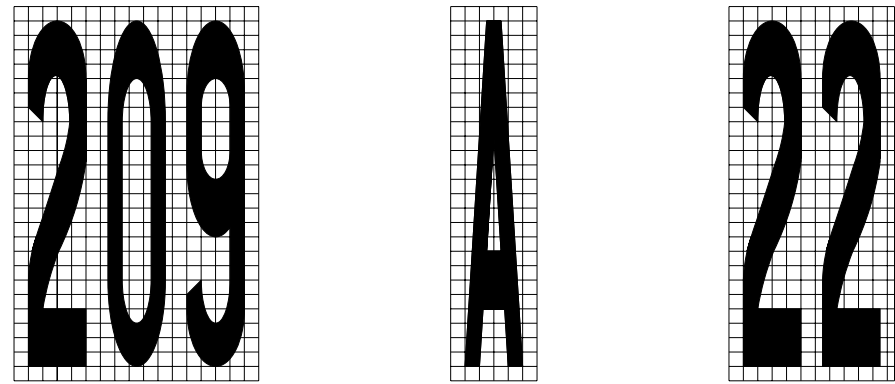


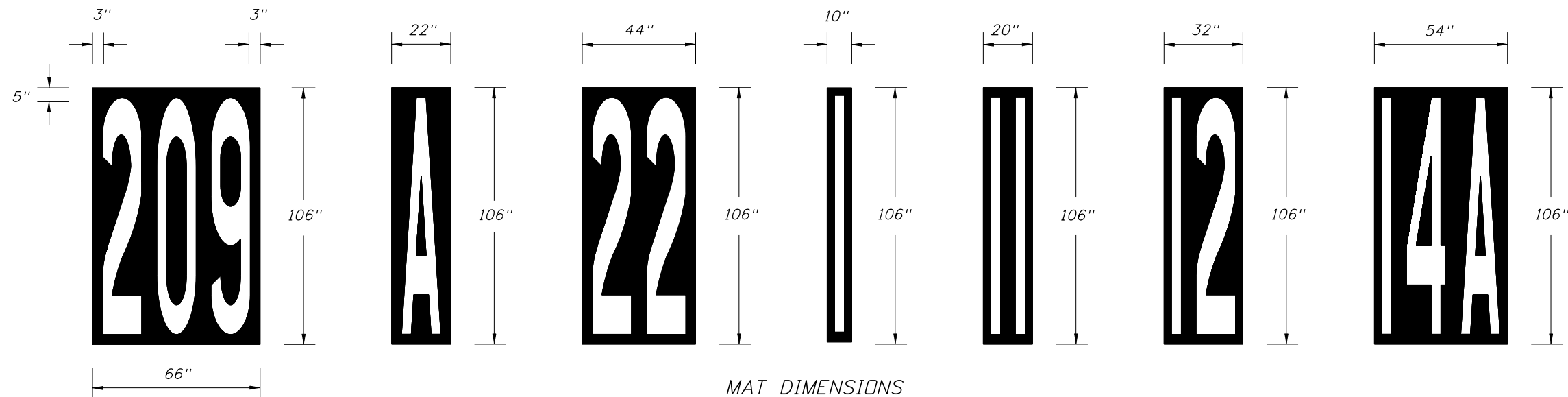
LAYOUT FOR 1, 2 AND 3 DIGIT NUMBERS AND LETTERS



MESSAGE SIZE AND SPACING
4" X 4" squares

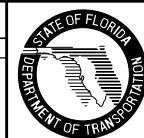
NOTES:

1. Messages shall meet requirements of Specification Section 971-6 and Section 711.
2. The thickness of the preformed message shall be 125 mils.
3. The message shall consist of white letters and numbers with black contrasting material. The black material shall meet the mat dimensions shown and have a minimum skid resistance value of 55 BPN.
4. The "EXIT NUMBER" position remains the same distance from the beginning of taper regardless of the number of lines of information.



REVISIONS

DATE	BY	DESCRIPTION	DATE	BY	DESCRIPTION
06/02/09	L.W.	Added New Detail B-Exit Ramp with Auxiliary Lane. Note 1, and 4 Revised.			
05/07/10	L.W.	Detail A distance 117'-8" revised to 120' and 50' dimension removed from first letter.			



2010 Interim Design Standard

SPECIAL MARKING AREAS

Interim Date	Sheet No.
07/01/10	7 of 14
Index No.	
17346	