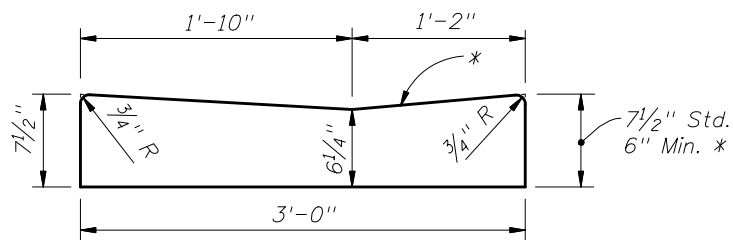
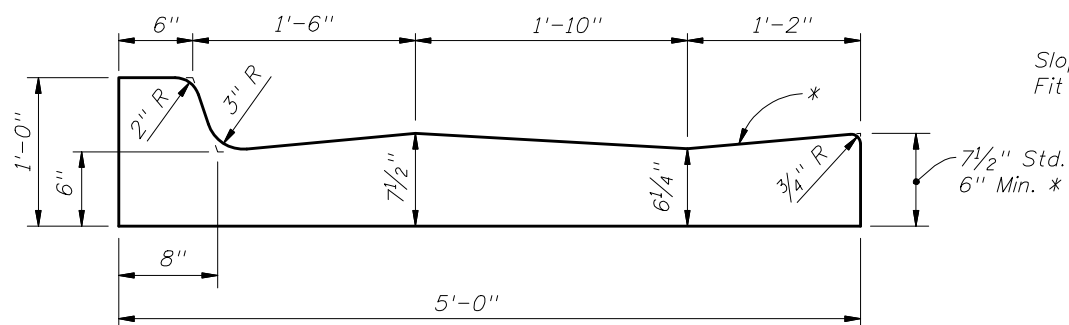


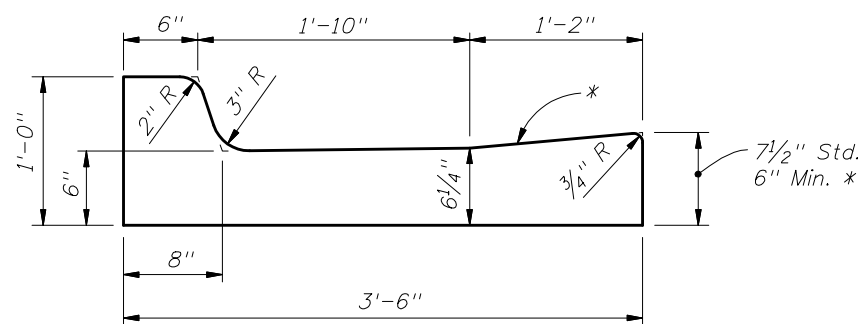
PLAN



SECTION AA



SECTION BB

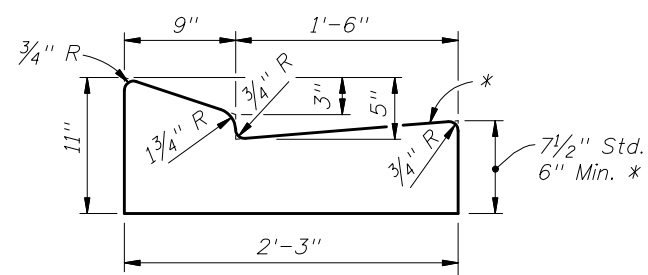


SECTION CC  
VALLEY GUTTER

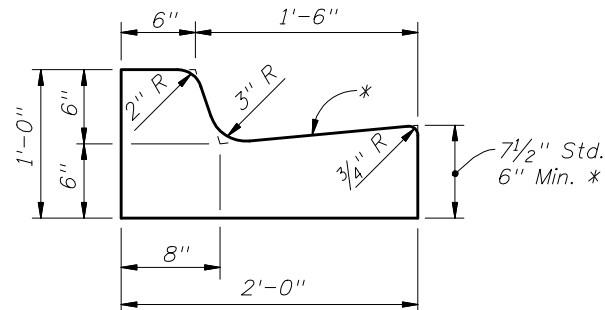
\* When used on high side of roadways, the cross slope of the gutter shall match the cross slope of the adjacent pavement. The thickness of the lip shall be 6", unless otherwise shown on plans.

■ Rotate entire section so that gutter cross slope matches slope of adjacent circulating roadway pavement.

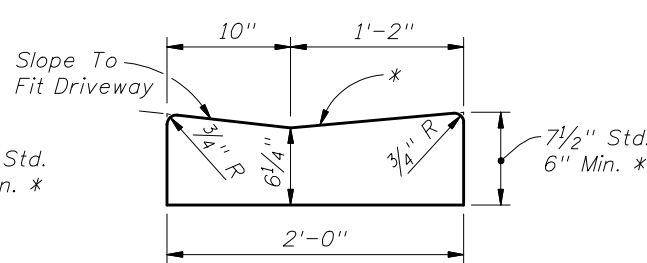
For use adjacent to concrete or flexible pavement. For details depicting usage adjacent to flexible pavement, see Sheet 2. Expansion joint, preformed joint filler and joint seal are required between curb & gutter and concrete pavement only, see Sheet 2.



TYPE E

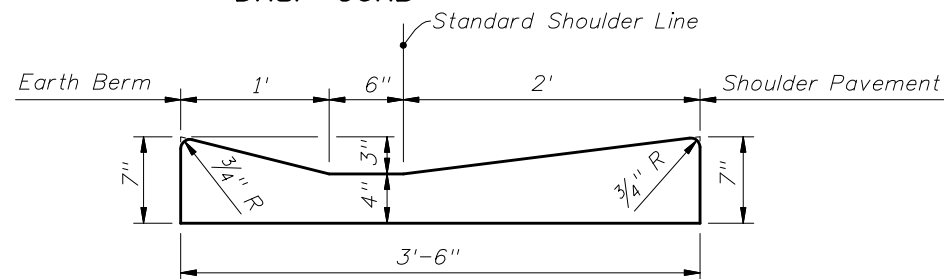


TYPE F

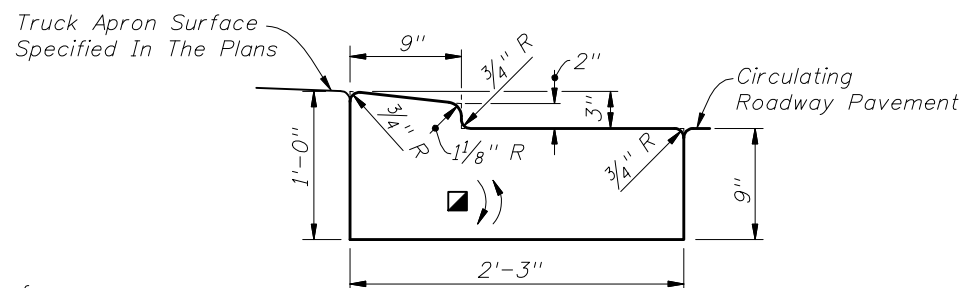


DROP CURB

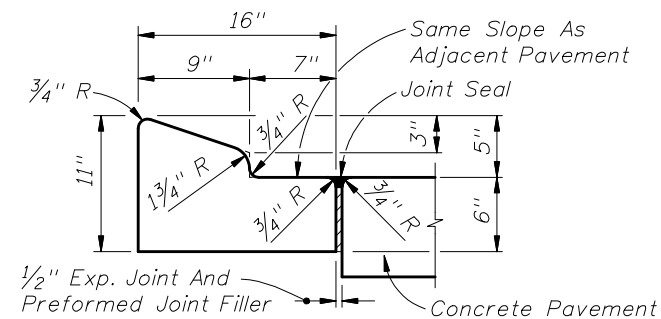
Note: To be paid for as parent curb.



SHOULDER GUTTER

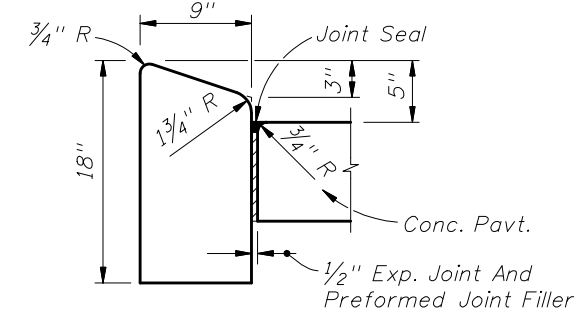


TRAFFIC BEARING SECTION FOR USE IN  
ROUNDABOUT CENTRAL ISLAND CONSTRUCTION  
TYPE RA

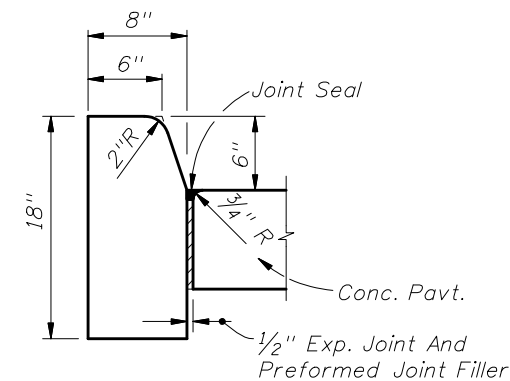


TYPE A

For details depicting usage adjacent to flexible pavement, see diagram right.



TYPE B



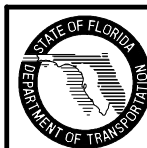
TYPE D

Note:

For use adjacent to concrete or flexible pavement, concrete shown. Expansion joint, preformed joint filler and joint seal are required between curbs and concrete pavement only, see Sheet 2.

CONCRETE CURB

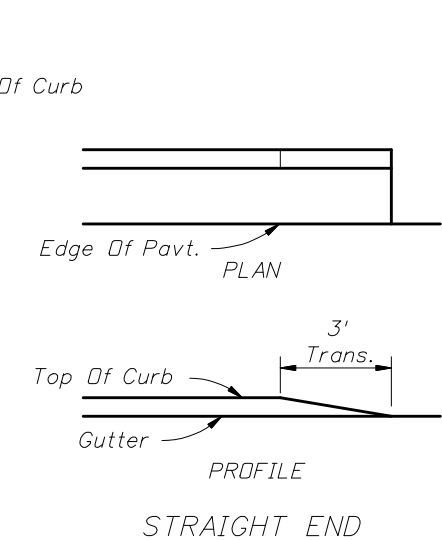
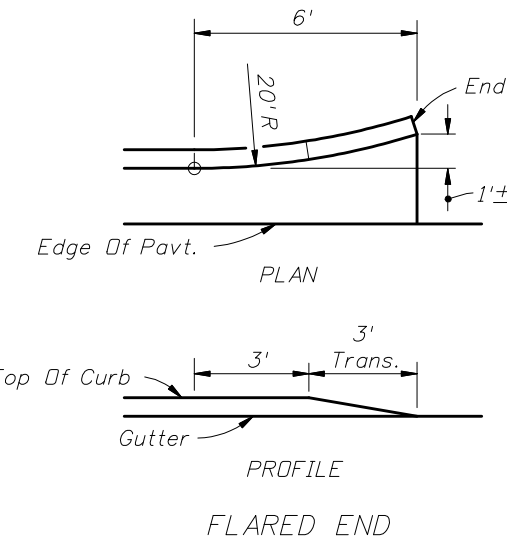
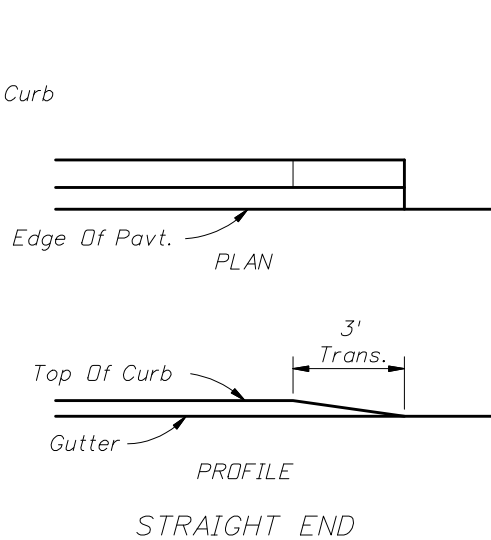
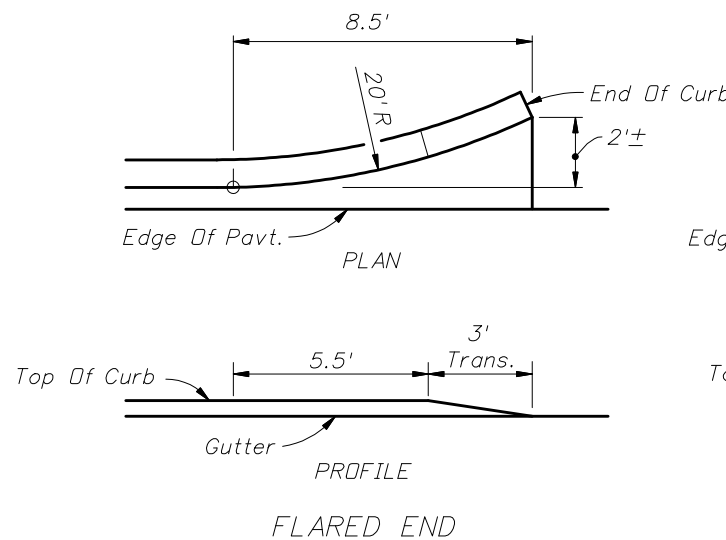
CONCRETE CURB AND GUTTER



2010 FDOT Design Standards

CURB & CURB AND GUTTER

Last Revision 00	Sheet No. 1 of 2
Index No. 300	



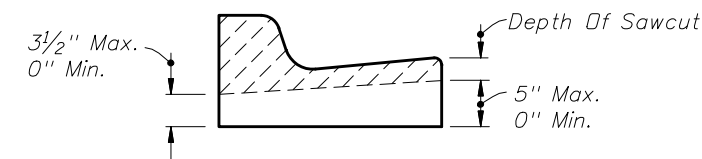
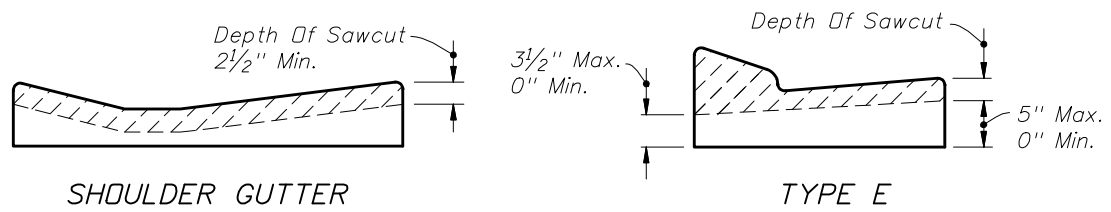
CURB TYPE A

STRAIGHT END

FLARED END

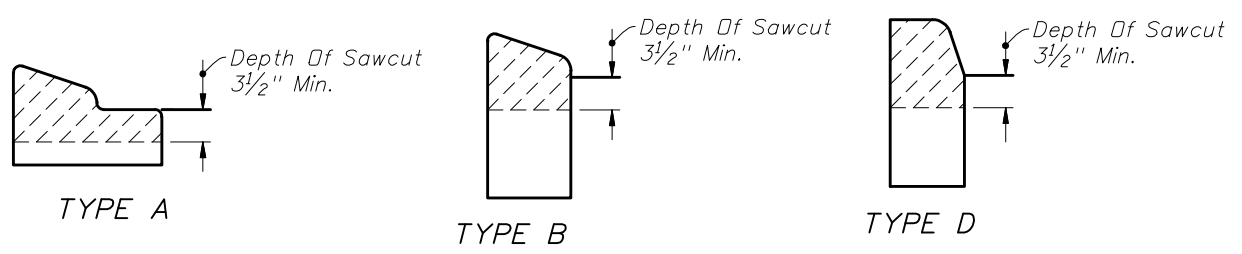
STRAIGHT END

CURB AND GUTTER ENDINGS



Sawcuts should be avoided within valley gutter and within curb and gutter endings.

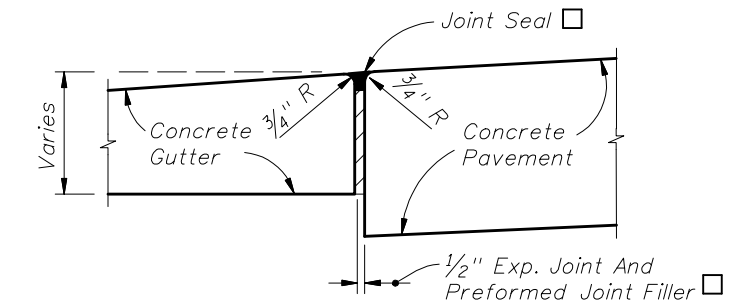
CONTRACTION JOINT IN CURB AND GUTTER



CONTRACTION JOINT IN CURB

△ Applies to both high and low sides of pavement, low side shown. Applies to shoulder gutter only where adjoining traffic lanes.

CURB AND GUTTER AND TYPE A CURB ADJACENT TO FLEXIBLE PAVEMENT

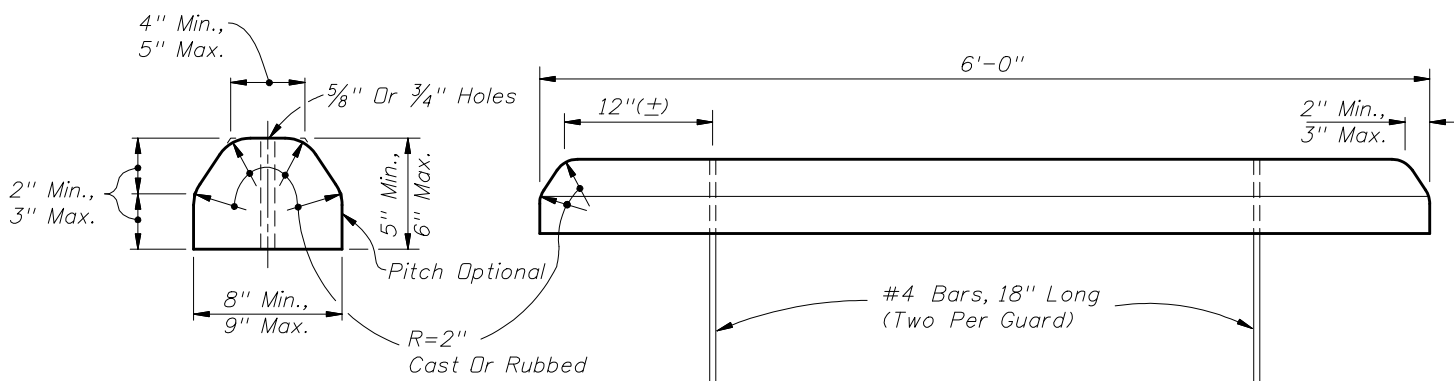


□ Applies to both high and low sides of pavement, low side shown.

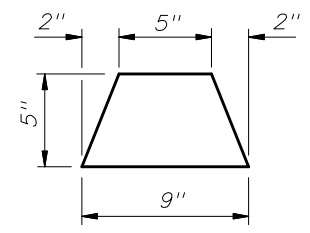
EXPANSION JOINT BETWEEN GUTTER AND CONCRETE PAVEMENT

GENERAL NOTES

1. For curb, gutter and curb & gutter provide 1/8" - 1/4" contraction joints at 10' centers (max.). Contraction joints adjacent to concrete pavement on tangents and flat curves are to match the pavement joints, with intermediate joints not to exceed 10' centers. Curb, gutter and curb & gutter expansion joints shall be located in accordance with Section 520 of the Standard Specifications.
2. Ends of Curbs Types B and D shall transition from full to zero heights in 3'.



CONCRETE BUMPER GUARD



ASPHALTIC CONCRETE CURB



2010 FDOT Design Standards

CURB & CURB AND GUTTER

Last Revision 00	Sheet No. 2 of 2
Index No. 300	