

Z3x2.69x2.33 Alum. Wind Beams
See Table For Number

Number & Location Of Panel
Splices To Be Determined By
The Sign Face Supplier. See
Detail Of Sign Face Splice.

I6x4.69 or Z4x3.13x3.58 Aluminum
Hangers See Table For Number

NOTE:

If the Sign Panels are deeper
than 10'-0", a horizontal panel
splice is allowed at an interior Z
support, shop drawings shall be
required. Minimum panel section
width = 2'-6".

Sign Face 1/8" Thick

2" (Typ.)

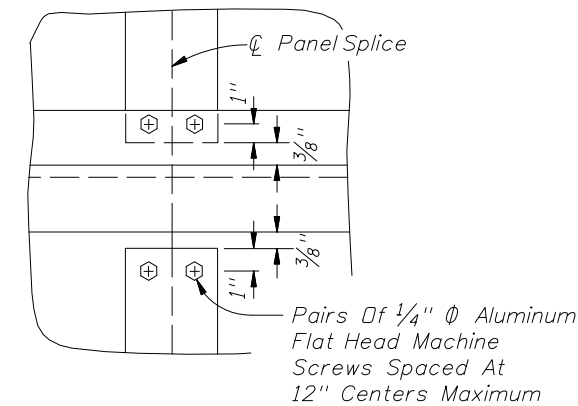
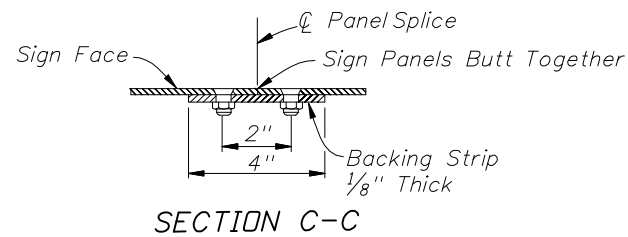
Equal Spacing For Two, Three,
Four Or Five Vertical Hangers*

Length L

Two Hangers = 21% L
Three Hangers = 14.5% L
Four Hangers = 10.7% L
Five Hangers = 8.5% L

*Note: Spacing of vertical hangers may be varied slightly or as necessary
to clear the truss struts and diagonals at panel points.

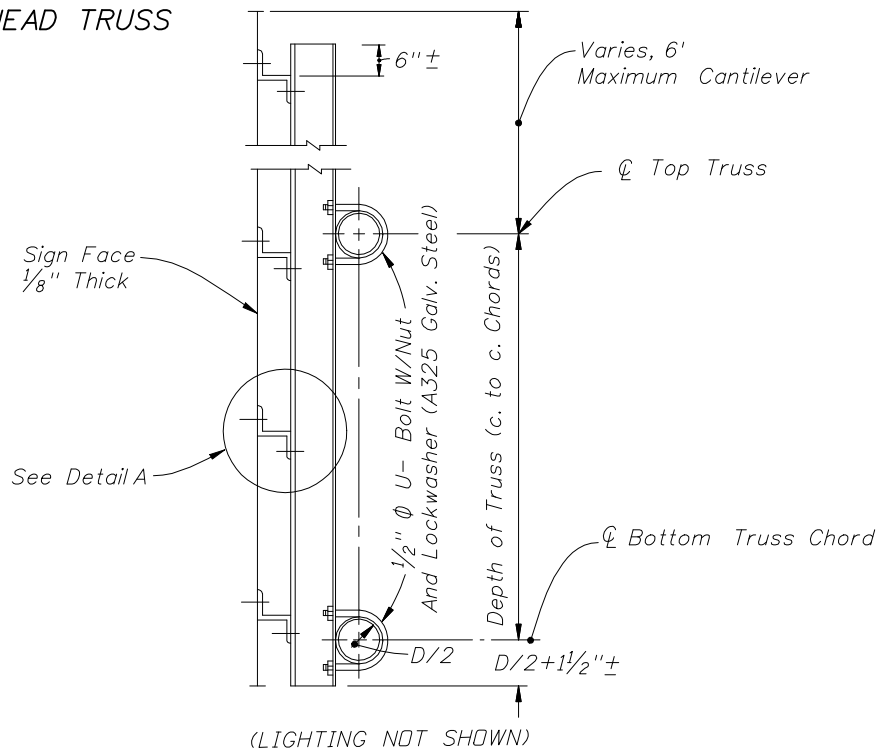
TYPICAL SIGN FACE ELEVATION FOR OVERHEAD TRUSS



BACKING STRIP DETAIL

GENERAL NOTES

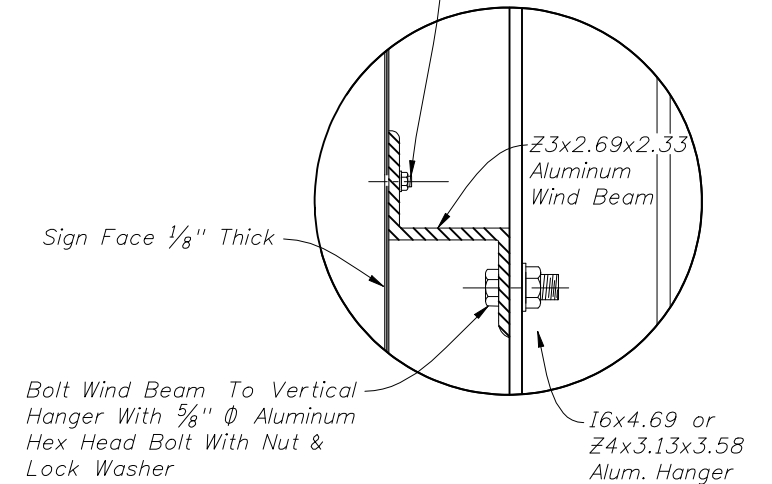
- (1) For "General Notes" covering Material Specifications see Index 11200.
- (2) Design based on 32 ft. maximum height to centroid of sign panel.
- (3) The Design Wind Speed shall conform to Wind Speed by County shown on Index 11200, Sheet 1 of 2.



TYPICAL DETAIL OF SIGN & TRUSS CONNECTION

Number Of Z3x2.69x2.33 Horiz. Wind Beams For Sign Depth And Wind			Number Of I6x4.69 or Z4x3.13x3.58 Vertical Hanger Beams For Sign Length			
Wind M.P.H.	No. Beams	Max. Depth	2 Hangers Sign Length	3 Hangers Sign Length	4 Hangers Sign Length	5 Hangers Sign Length
150	2	5'-0"	0 to 15'-0"	15'-1" to 30'-0"	30'-1" to 45'-0"	
150	3	8'-6"	0 to 15'-0"	15'-1" to 30'-0"	30'-1" to 45'-0"	
150	4	11'-6"	0 to 13'-0"	13'-1" to 18'-3"	18'-4" to 24'-9"	24'-10" to 31'-4"
150	5	14'-0"	0 to 13'-0"	13'-1" to 18'-3"	18'-4" to 24'-9"	24'-10" to 31'-4"
130	2	5'-3"	0 to 15'-0"	15'-1" to 30'-0"	30'-1" to 45'-0"	
130	3	8'-10"	0 to 15'-0"	15'-1" to 22'-3"	22'-4" to 30'-0"	30'-1" to 45'-0"
130	4	12'-0"	0 to 15'-0"	15'-1" to 22'-3"	22'-4" to 30'-0"	30'-1" to 38'-0"
130	5	15'-0"	0 to 11'-7"	11'-8" to 16'-4"	16'-5" to 22'-2"	22'-3" to 28'-0"
110	2	5'-6"	0 to 15'-0"	15'-1" to 30'-0"	30'-1" to 45'-0"	
110	3	9'-6"	0 to 15'-0"	15'-1" to 27'-3"	27'-4" to 37'-0"	37'-1" to 45'-0"
110	4	12'-9"	0 to 15'-0"	15'-1" to 27'-3"	27'-4" to 37'-0"	37'-1" to 45'-0"
110	5	16'-0"	0 to 14'-3"	14'-4" to 20'-0"	20'-1" to 27'-0"	27'-1" to 34'-3"

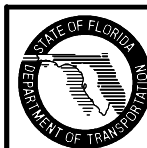
1/4" Ø Alum. Flat Head Machine
Screws With Nuts And Lock
Washers. Screws Shall Be
Spaced at 12" Centers
Maximum



(SHOWING ATTACHMENT OF SIGN FACE
PANEL TO VERTICAL HANGER SUPPORTS,
VERTICAL I SHAPE HANGER AS SHOWN,
Z SHAPE OPTIONAL)

DETAIL A

DETAILS OF SIGN FACE & TRUSS CONNECTION



2010 FDOT Design Standards

OVERHEAD SIGN STRUCTURES

Last Revision
07/01/09

Sheet No.
1 of 1

Index No.
11300