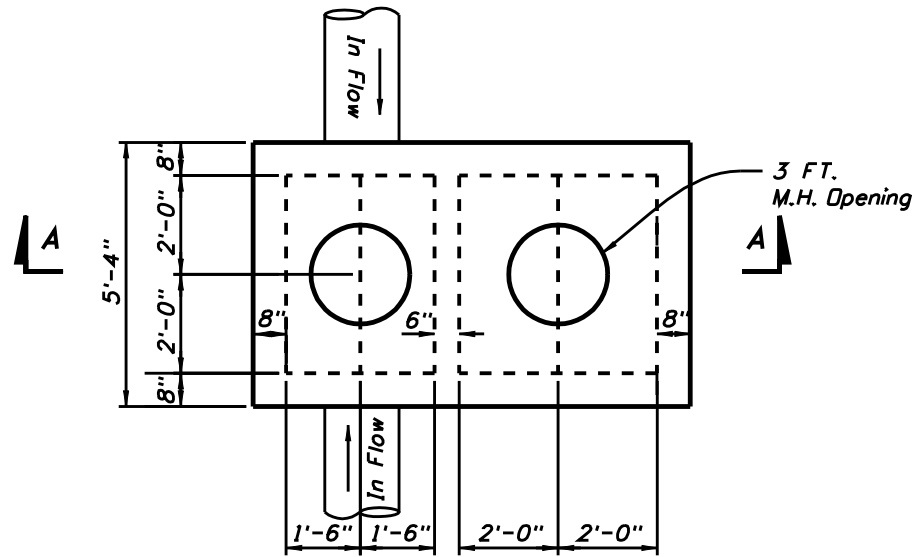
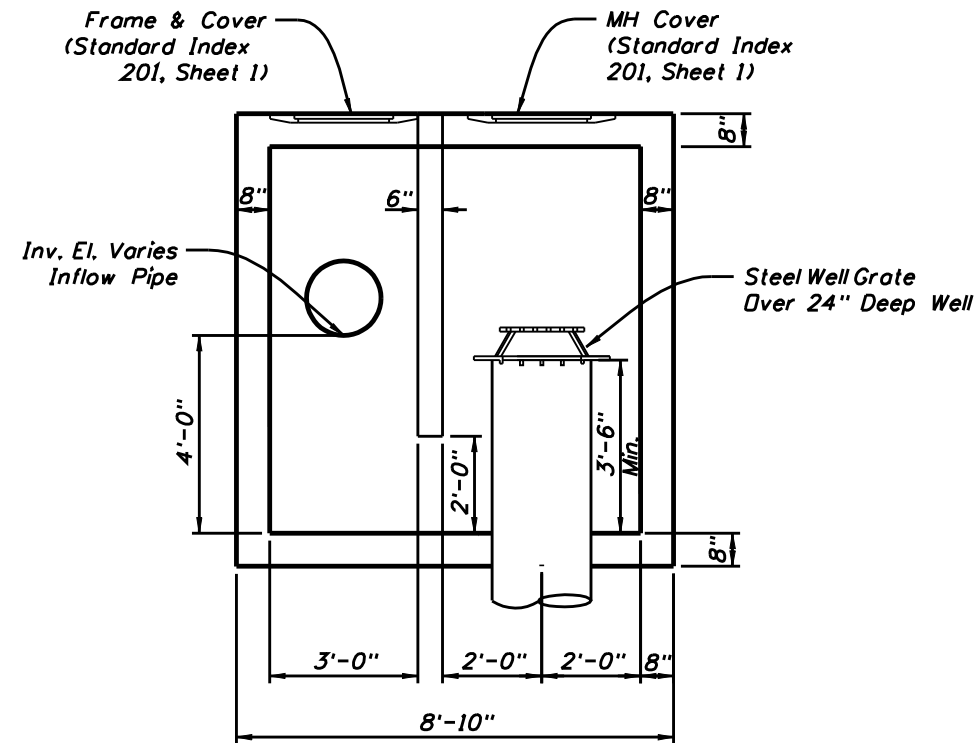


STEEL WELL GRATE DETAIL
NEENAH GRATE CATALOG NO. R-4341-A
OR EQUIVALENT

Note: Steel well grate to be installed over 24" deep well.
Steel grate to be hot dipped galvanized after fabrication.
Cost to be included in the price of casing.

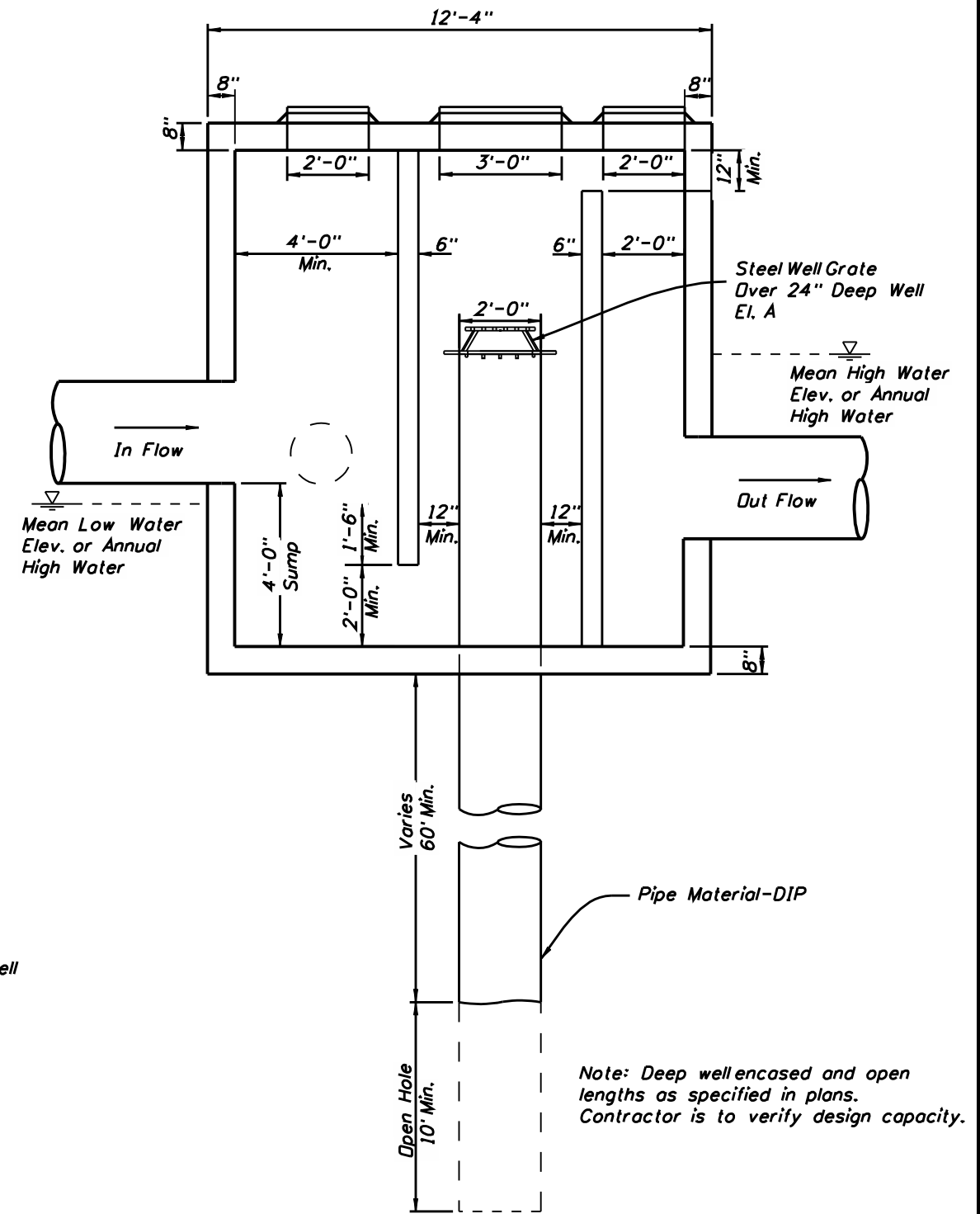


TOP SLAB PLAN



SECTION A-A

STRUCTURE WITH NO OUTFLOW



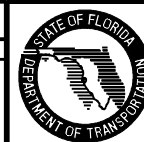
SPECIAL MANHOLE STRUCTURE
DETAIL WITH OUTFALL

Design Notes

1. Depth of Casing Varies, 60' min.
2. Depth on Open Hole, 10'-20'.
3. Actual Size Of The Inflow And Outflow Chambers Will Be Determined By The Size Of The Pipes (Refer To Table 3 Of Index 200.) The Width Of The Box Shall Be Constant Based On The Largest Pipe. The Length Is To Be Adjusted Based On Size and Orientation Of The Pipes.

REVISIONS

DATE	BY	DESCRIPTION	DATE	BY	DESCRIPTION
01/01/09	MTP	This Is A New Standard For Deep Well Injection.			



2008 Interim Design Standard

DEEP WELL INJECTION BOX

Interim Date: 01/01/09
Sheet No.: 1 of 1
Index No.: 288