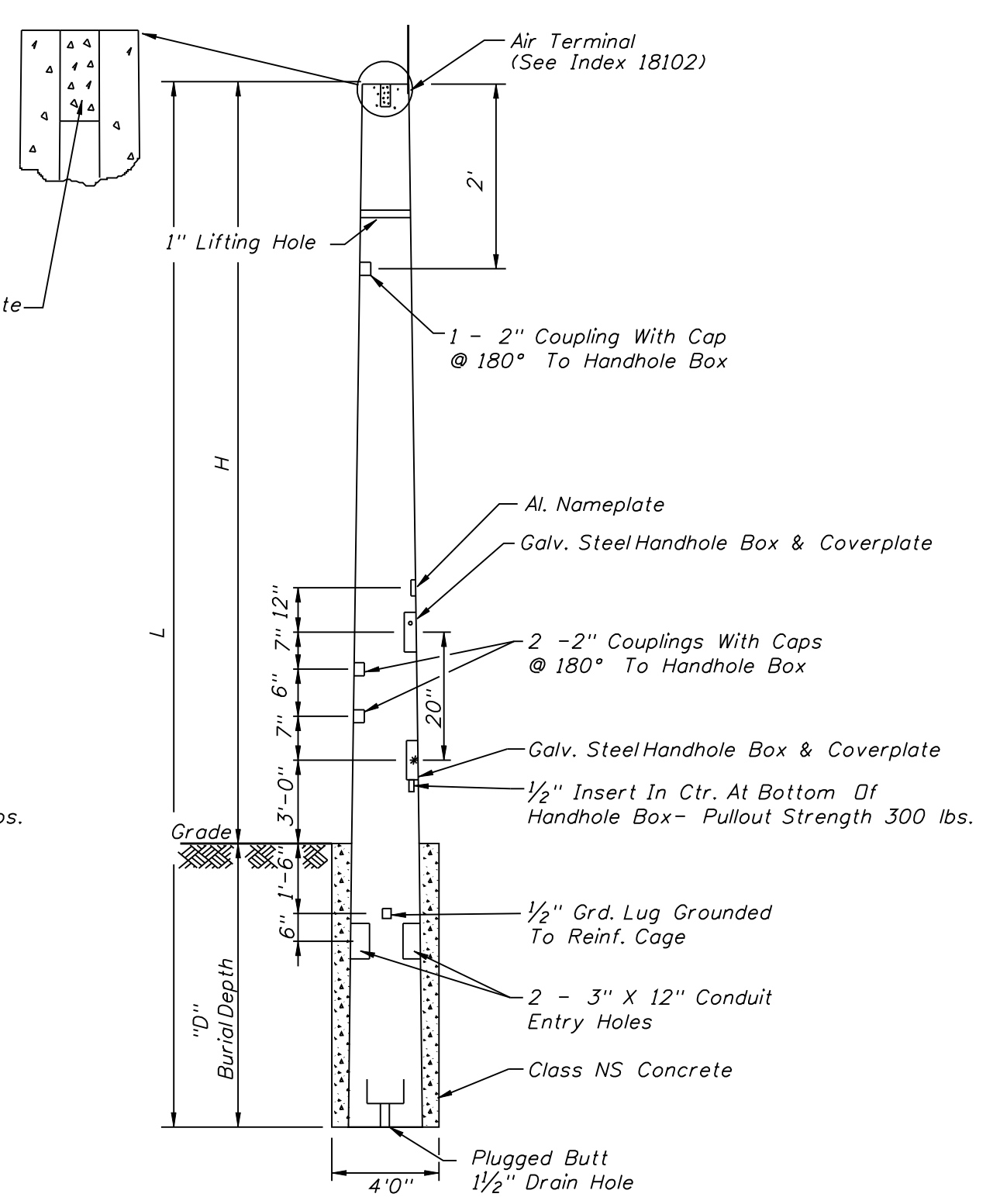
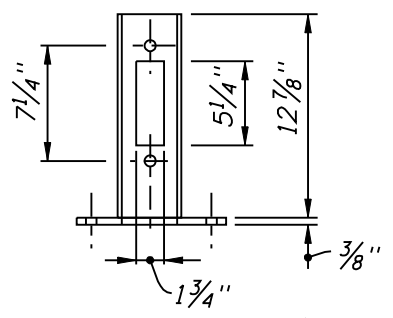


**WITH LOWERING DEVICE**



**WITHOUT LOWERING DEVICE**

Not To Scale



**TENON DETAIL**

REVISIONS			
DATE	BY	DESCRIPTION	
11/24/08	RGM	Replaced "Concrete" with "Class NS Concrete", added plan views.	



2008 Interim Design Standard

**CONCRETE CCTV POLE**

Interim Date	Sheet No.
01/01/09	1 of 2
Index No.	
<b>18113</b>	

**DESIGN NOTES:**

Design according to FDOT Structures Manual current edition and the fifth edition of the AASHTO "Standard Specifications for Structural Supports for Highway Signs, Luminaries and Traffic Signals" with Interims.

Manufacturers seeking approval for inclusion on the Qualified Products List must submit a QPL Product Evaluation Application along with design documentation and drawings showing the product meets all specified requirements of this Standard.

Place prestressing symmetrically about both axis.

Use Class V Special Concrete or Class VI Concrete with 4 ksi minimum strength of transfer.

Use A615 Grade 60 reinforcing steel. Provide a minimum of non-prestressed reinforcement equal to 0.33% of the concrete area.

Use A416 Grade 270 stress relieved or low-lax prestressing strands.

One turn required for spiral splices and two turns required at the top and bottom of poles. Manufacture spirals from cold-drawn ASTM A82 steel wire.

Identify poles as to manufacturer, length, QPL qualification number by inset numerals 1" in height inscribed on the same face of the pole as the handhole and ground wire.

Provide a Class 3 surface finish.

Provide a 1" minimum cover.

Foundation design based upon the following soil criteria:

Classification = Cohesionless (Fine Sand)

Friction Angle = 30 Degrees (30°)

Unit Weight = 50 lbs./cu. Ft. (assumed saturated)

Only in cases where the Designer considers the soil types at the specific site location to be of lesser strength properties should an analysis be required. Auger borings, SPT borings or CPT soundings may be utilized as needed to verify the assumed soil properties, and at relatively uniform sites, a single boring or sounding may cover several foundations. Furthermore, borings in the area that were performed for other purposes may be used to confirm the assumed soil properties.

**LOWERING DEVICE INSTALLATION NOTES:**

Place all electrical wire in interior conduit to prevent them from interfering with or being damaged by the lowering cable that moves within the pole.

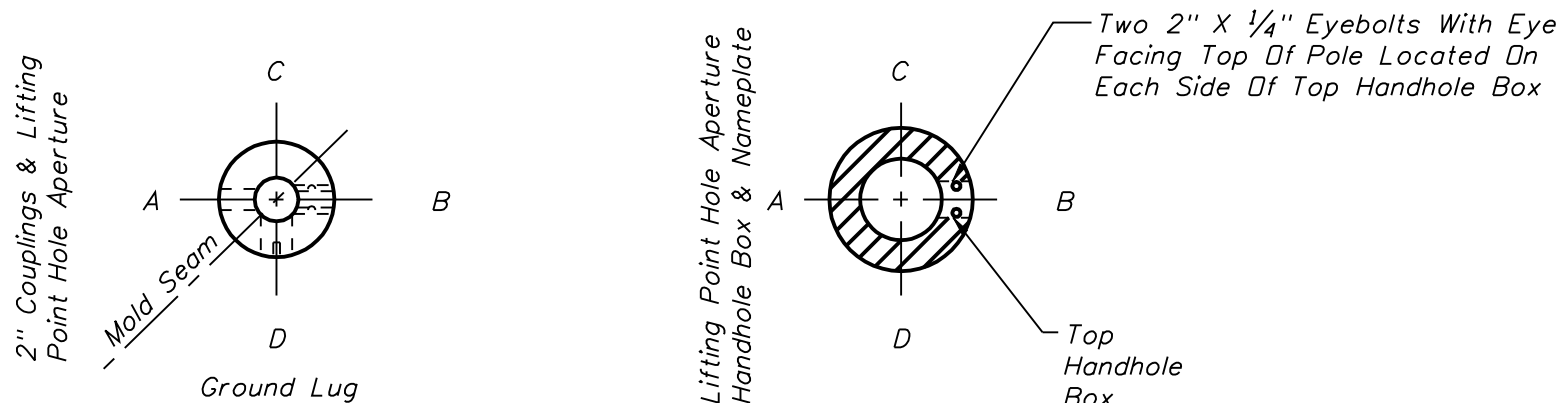
Mount lowering arm perpendicular to the roadway or as shown in the plans. Position the CCTV pole so that the camera can be safely lowered without requiring lane closures.

Include a lowering device (including top J-box), mounting hardware, lowering cable, contact block, waterproof electrical connectors, camera J-box and housing.

**SPECIFICATIONS:**

Pole Top:	8 1/4" Dia.
Pole Butt:	(0.2 X L) + 8 1/4"
Pole Taper:	0.2 in./ft. nominal
Defl Spec:	1" Max. in 40mph wind (3 second gust)
Max. Camera EPA:	5.60 Sq. Ft. Total
Max. Camera Wgt:	240 lbs. Total

L (ft)	H (ft)	D (ft)
58	50	8
63.5	55	8.5
69	60	9
74.5	65	9.5
80	70	10



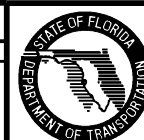
**TOP VIEW**

**SECTIONAL VIEW THROUGH  
TOP HAND HOLE BOX**

Not To Scale

**REVISIONS**

DATE	BY	DESCRIPTION	DATE	BY	DESCRIPTION
11/24/08	RGM	Added table for L, H and D; Notes completely revised.			



2008 Interim Design Standard

**CONCRETE CCTV POLE**

Interim Date	Sheet No.
01/01/09	2 of 2
Index No.	
<b>18113</b>	