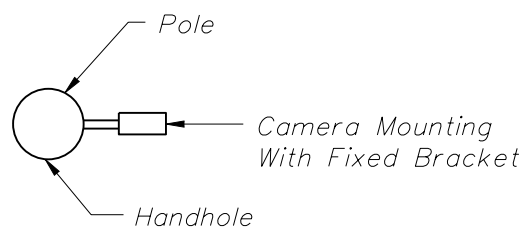
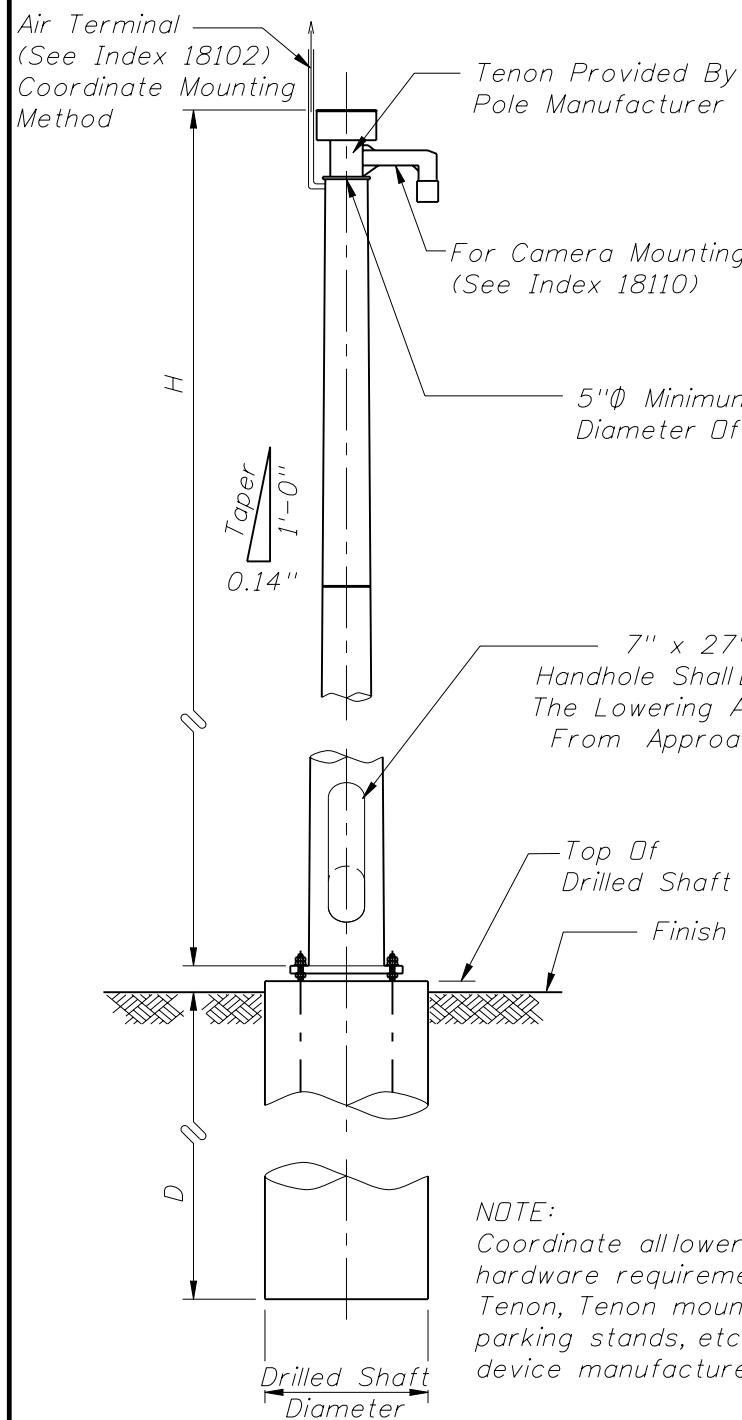


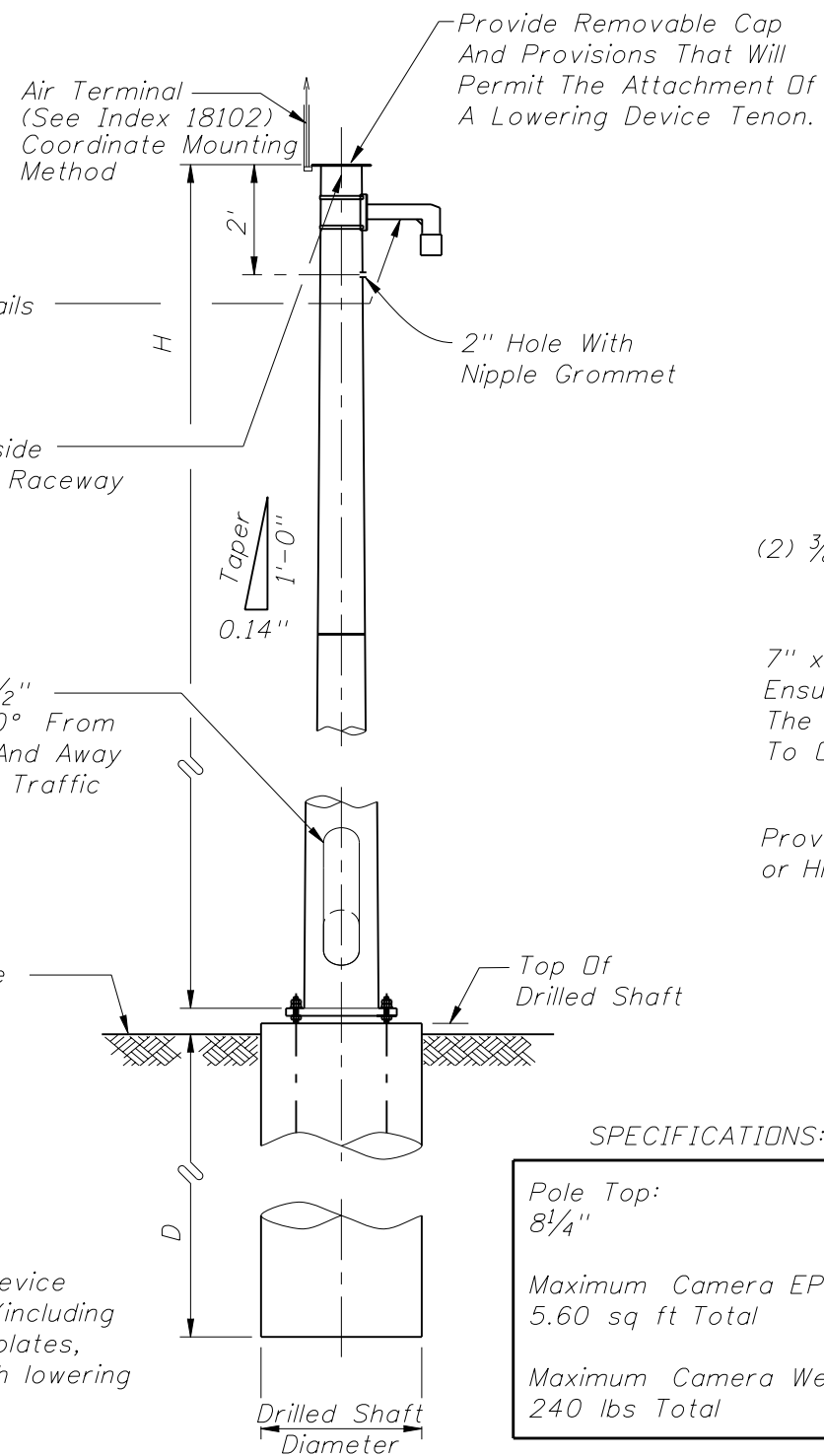
ORIENTATION VIEW



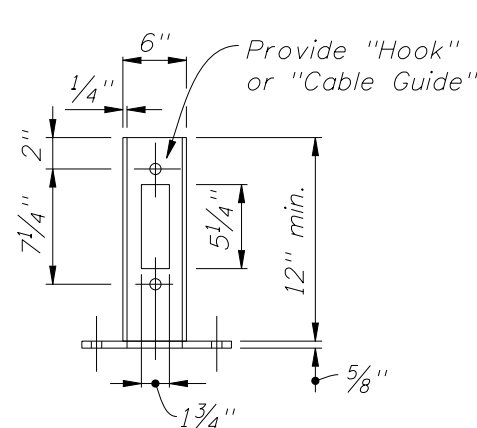
ORIENTATION VIEW



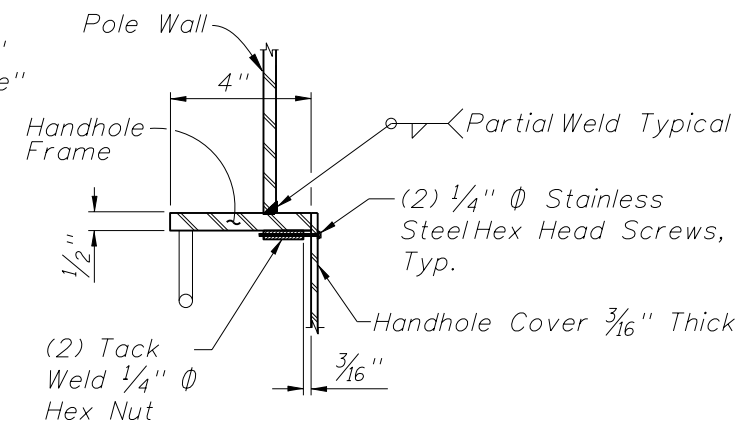
WITH LOWERING DEVICE



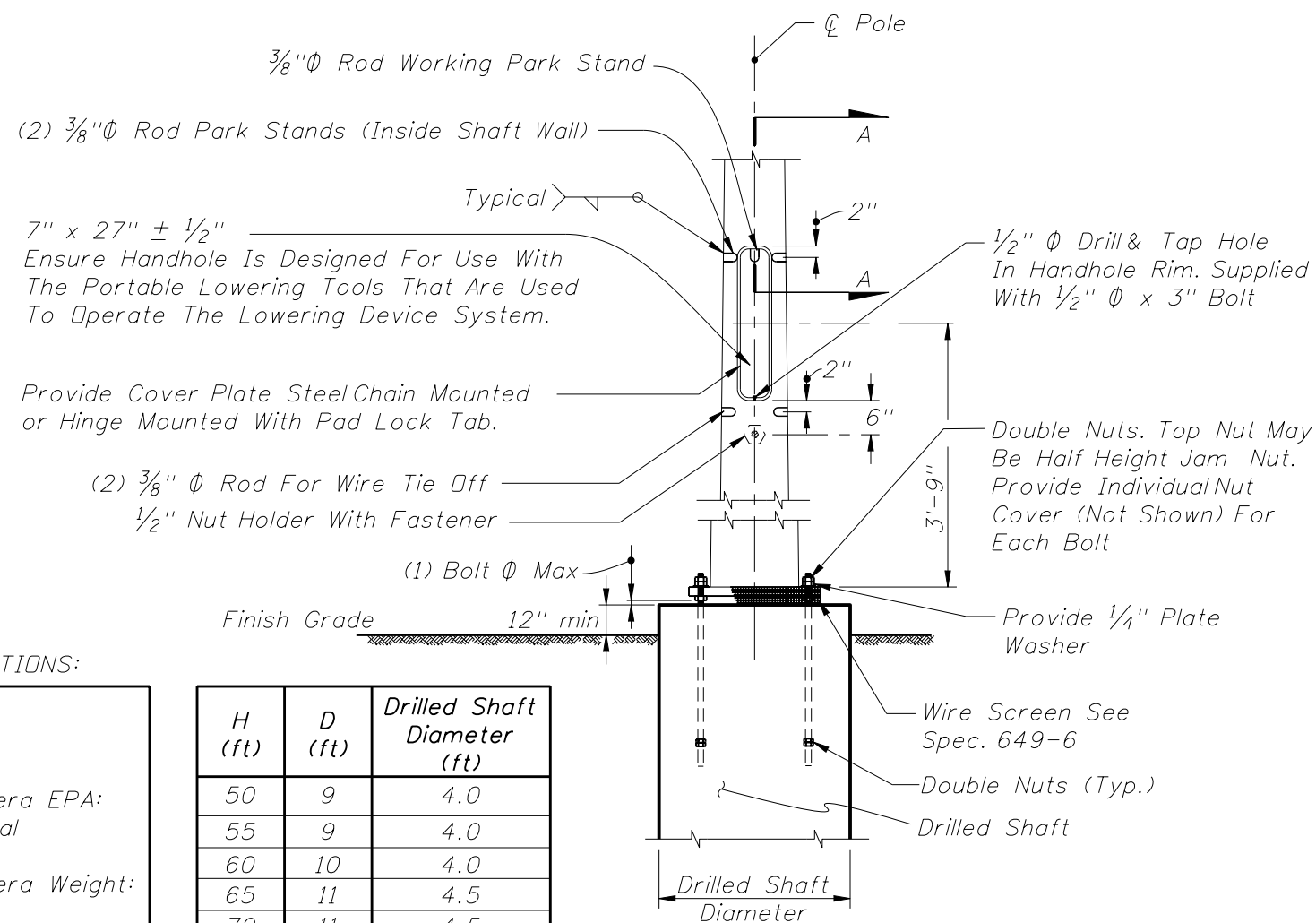
WITHOUT LOWERING DEVICE



TENON DETAIL



SECTION A-A



FOUNDATION AND HANDHOLE DETAIL

SPECIFICATIONS:

Pole Top:
8 1/4"

Maximum Camera EPA:
5.60 sq ft Total

Maximum Camera Weight:
240 lbs Total

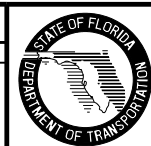
H (ft)	D (ft)	Drilled Shaft Diameter (ft)
50	9	4.0
55	9	4.0
60	10	4.0
65	11	4.5
70	11	4.5

NOTE:
Coordinate all lowering device hardware requirements (including Tenon, Tenon mounting plates, parking stands, etc.) with lowering device manufacturer.

Not To Scale

REVISIONS

DATE	BY	DESCRIPTION	DATE	BY	DESCRIPTION
07/01/09	RM	Sheet completely revised.			



2008 Interim Design Standard

STEEL CCTV POLE

Interim Date
07/01/09

Sheet No.
1 of 2

Index No.
18111

