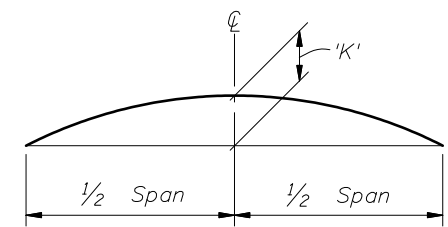


**SPAN SIGN STRUCTURE NOTES**

- 1) Design according to FDDT Structures Manual. Alternate Designs are not allowed.
- 2) Submit shop drawings for all work. Include:
  - a. Field verification of all upright heights.
  - b. Foundation elevations necessary to insure minimum vertical clearances as per traffic plans.
  - c. Anchor bolt orientation with respect to centerline of truss and the direction of traffic.
  - d. The method to be used to provide the required parabolic camber. (See Camber Diagram)
- 3) Shop Fabrication, Assembly, Handling and Shipping:
  - a. Do not begin fabrication before receiving shop drawing approval.
  - b. Welding: Conform to American Welding Society Structural Welding Code (Steel) ANSI/AWS D1.1 (current edition).
  - c. Shop assemble the entire structure after galvanizing and prior to shipment.
  - d. If necessary, disassemble and secure components for shipment.
- 4) Sign Structure Materials:
  - a. Upright and Chords (Steel Pipe): API -5L-X42 (42 ksi yield) or ASTM A500, Grade B.
  - b. Steel Angles: ASTM A 709, Grade 36.
  - c. Steel Plates: ASTM A 709, Grade 36.
  - d. Weld Metal: E70XX.
  - e. Bolts: ASTM A325 Type 1, (install per Specification Section 700) with single, self-locking nuts.
  - f. Anchor Bolts: ASTM F1554, Grade 55 with ASTM A563 Grade A heavy-hex double nuts.
  - g. Install all nuts per manufacturer's instructions.
  - h. Bolt hole diameters: equal to the bolt diameter plus  $\frac{1}{16}$ ".
  - i. Anchor bolt hole diameters: equal to the bolt diameter plus  $\frac{1}{2}$ ".
- 5) Galvanization: Nuts, bolts and washers: ASTM F2329. Other steel items: ASTM A123
- 6) Sign Panels: Aluminum. See Elevation drawing for sizes and locations.
- 7) Foundation Materials:
  - a. Reinforcing Steel: ASTM A615, Grade 60.
  - b. Concrete: Class IV (Drilled Shaft), minimum 4.0 ksi compressive strength at 28-days for all environmental classifications.
  - c. Grout: Minimum 5.0 ksi compressive strength at 28-days. Conform to Specification Section 934 using procedures outlined in Section 649-6.
- 8) Construct the Sign Structure foundation in accordance with FDDT Specification Section 455.
- 9) If a grout pad is not installed, place wire cloth screen vertically between the base plate and top of foundation, wrap horizontally around the base plate with a 3" min. lap. Use standard grade, plain weave,  $\frac{1}{2}$ "x $\frac{1}{2}$ " mesh, galvanized steel wire-cloth with 0.063" dia. wire. Attach the screen to the base plate with stainless steel self-tapping  $\frac{1}{4}$ " screws with stainless steel washers spaced at 9" centers.
- 10) Prior to erection, record the as-built anchor locations and provide to the Engineer.
- 11) Provide a parabolic camber with the maximum upward deflection as shown on the Camber Diagram.
- 12) Locate Chord splices a minimum of 3 truss panel lengths apart. Chord splices may be either the Standard splice or the Alternate splice but not both on this structure. Upright splices are not allowed.
- 13) Install sign panels as shown on the Elevation drawing.
- 14) Payment: All costs associated with the Sign Structure, Sign Panels, Foundation and all incidental items will be paid for under the Sign Structure pay item.

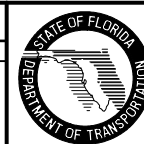
NOTE: See Plans for Span Sign Structure Data Table.



**CAMBER DIAGRAM**

**REVISIONS**

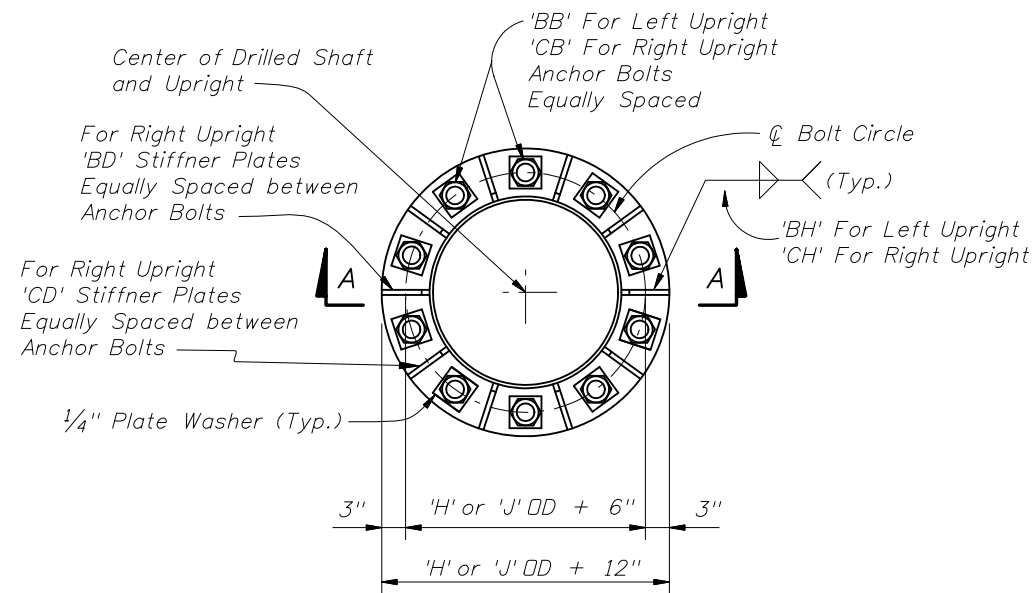
DATE	BY	DESCRIPTION	DATE	BY	DESCRIPTION
01/01/08	DYW	Changed Notes 4e, 7b & 9.			
07/01/08	CBH	Changed Note 4e.			



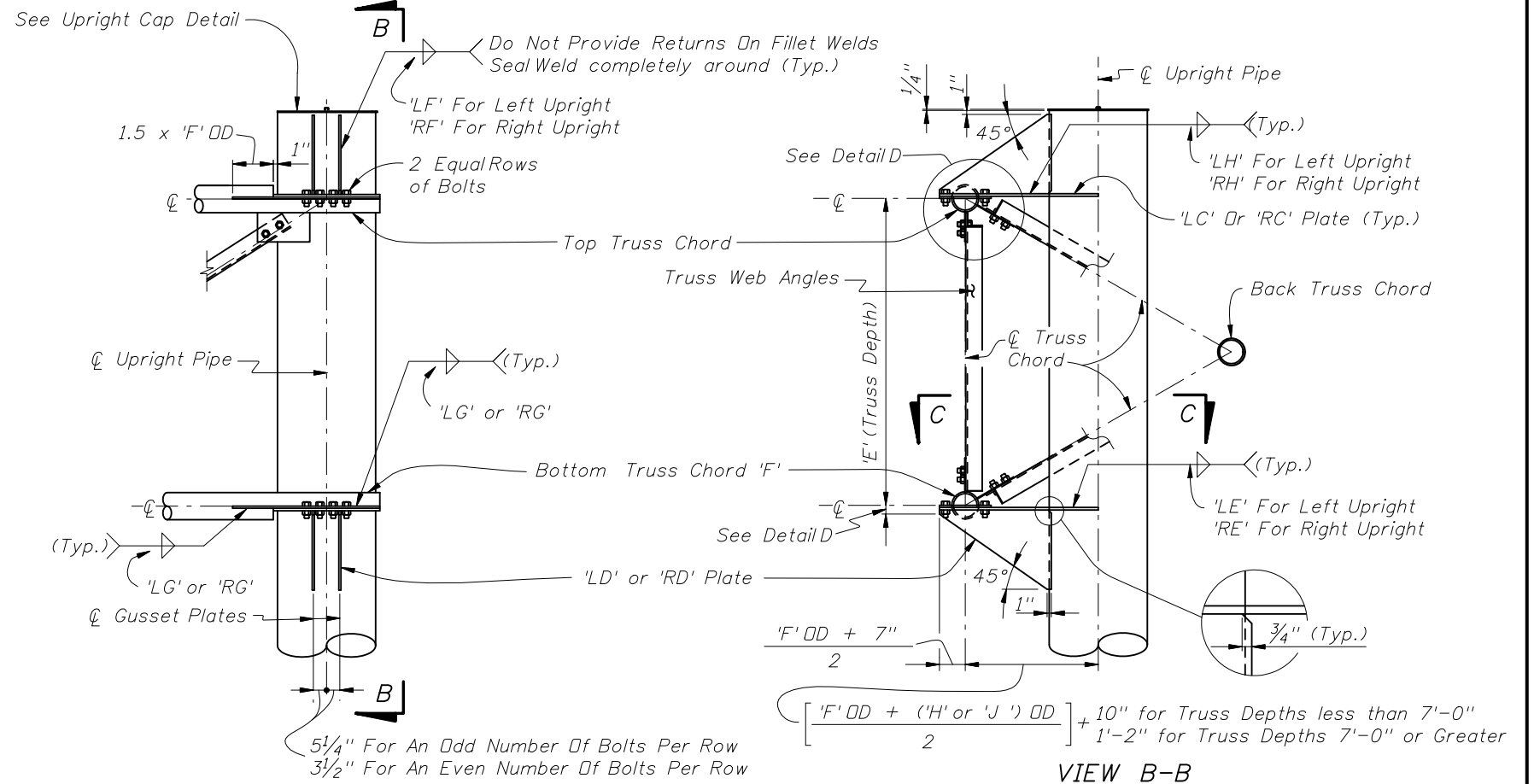
2008 Interim Design Standard

**SPAN SIGN STRUCTURE**

Interim Date	Sheet No.
07/01/08	1 of 5
Index No.	
11320	

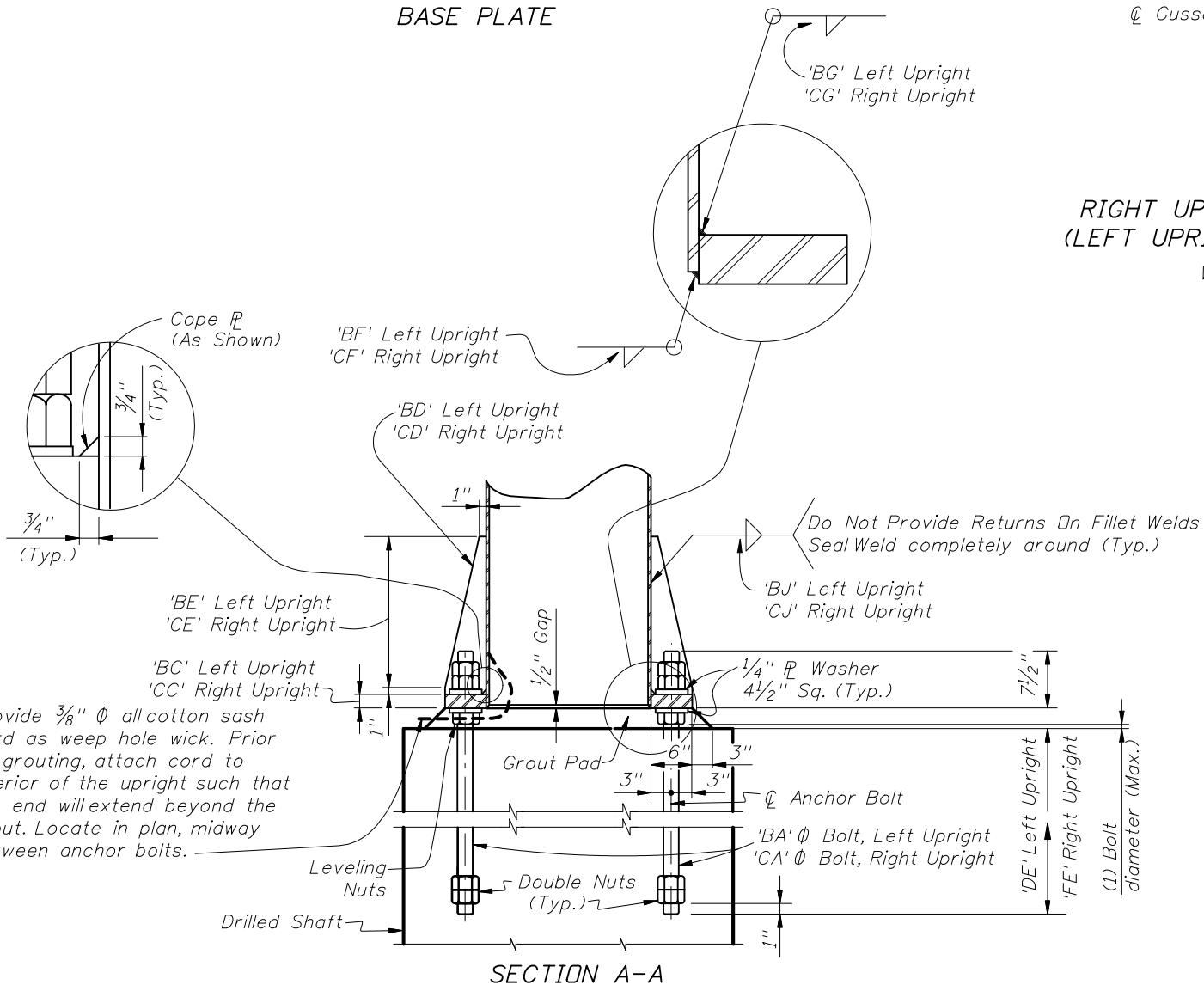


PLAN VIEW  
BASE PLATE

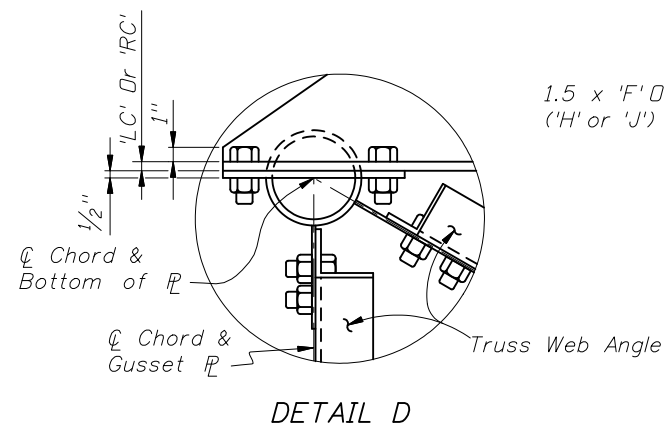


RIGHT UPRIGHT-TRUSS CONNECTION DETAIL  
(LEFT UPRIGHT -TRUSS CONNECTION SIMILAR)

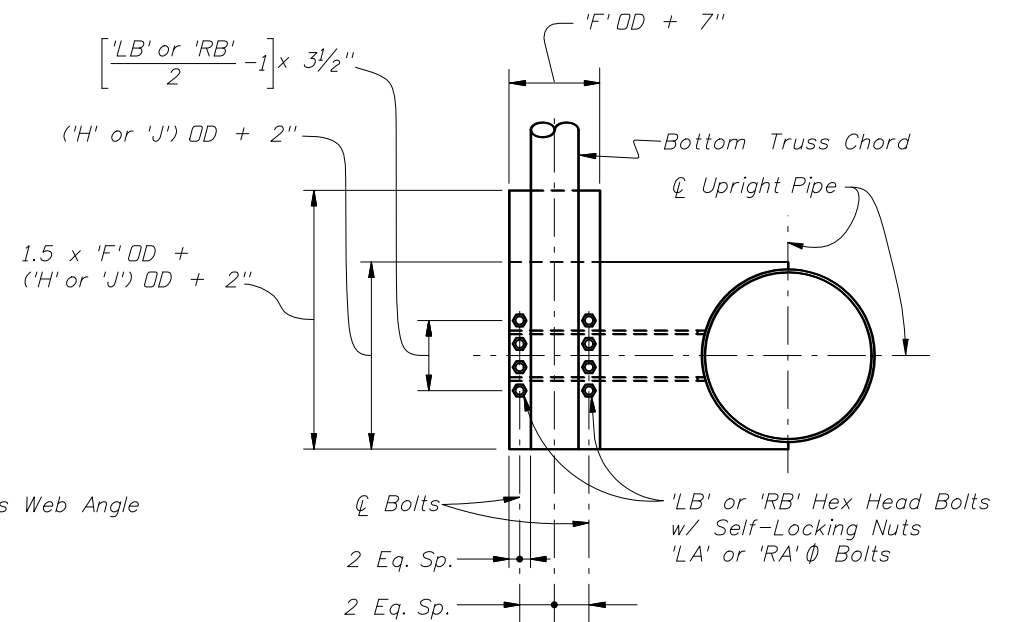
Web Members From Back Truss  
Chord Omitted For Clarity



SECTION A-A



DETAIL D

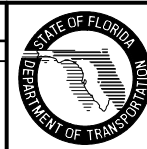


SECTION C-C  
(With Gusset Plate and Angles omitted for clarity)

NOTE:  
Abbreviation  
OD ~ Outside Diameter

REVISIONS

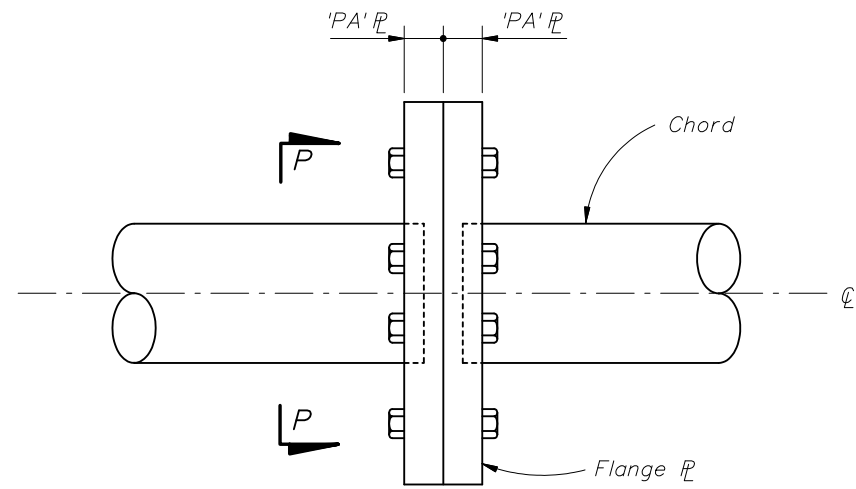
DATE	BY	DESCRIPTION	DATE	BY	DESCRIPTION
07/01/08	CBH	Changed foundation standoff distance.			



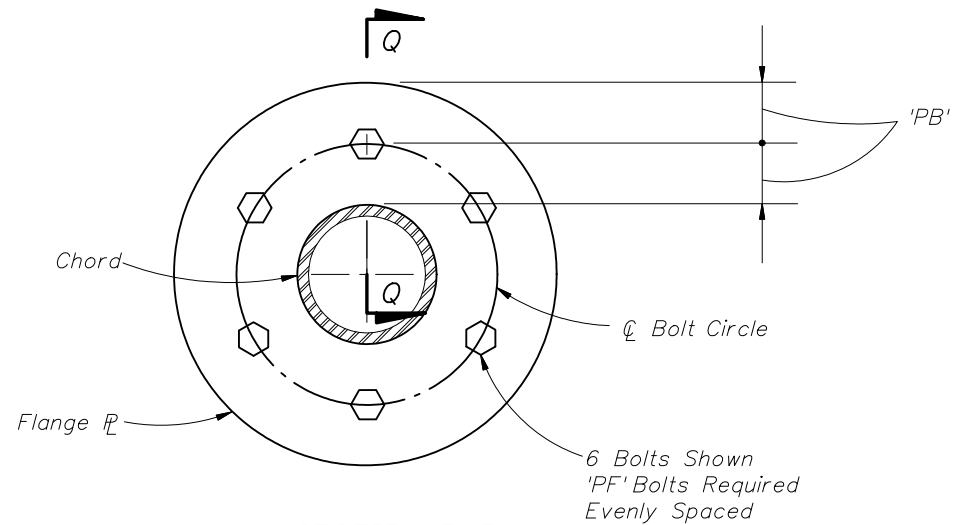
2008 Interim Design Standard

SPAN SIGN STRUCTURE

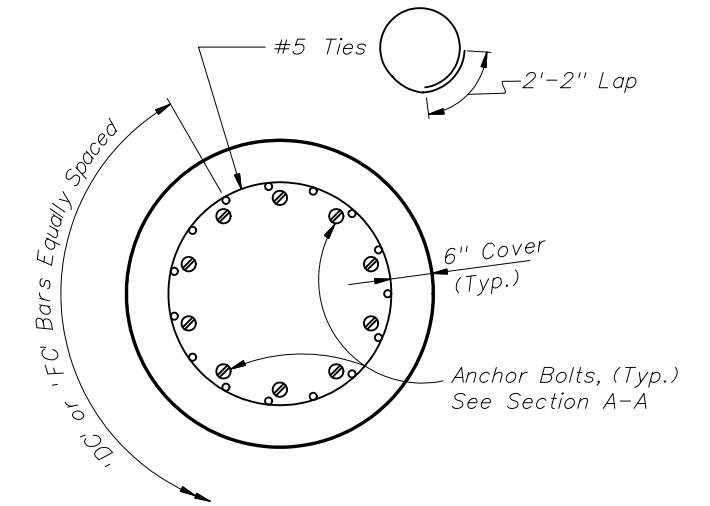
Interim Date	Sheet No.
07/01/08	2 of 5
Index No.	
11320	



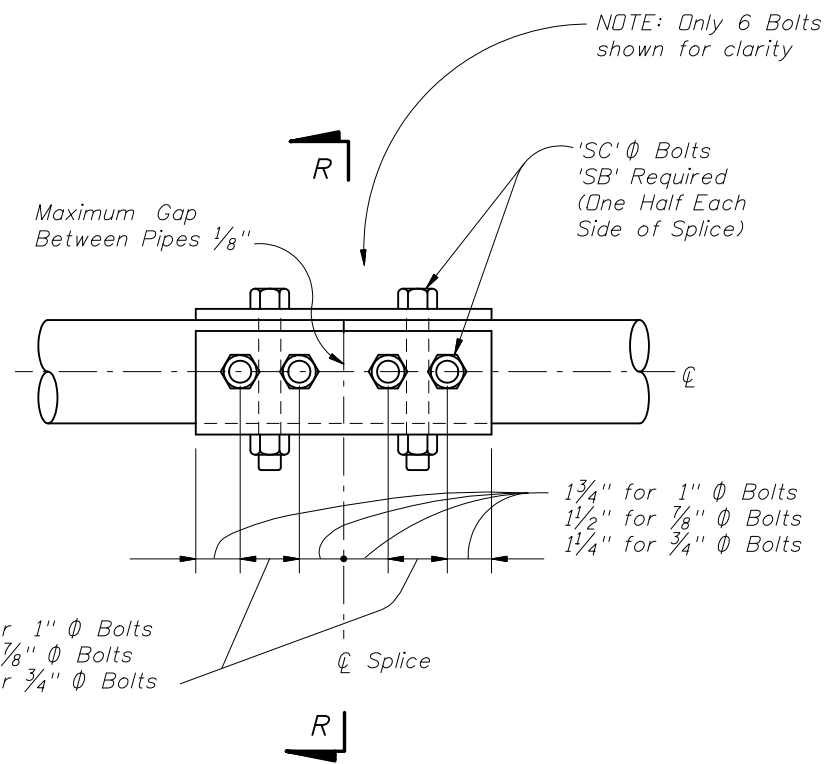
ELEVATION  
ALTERNATE SPLICE CONNECTION



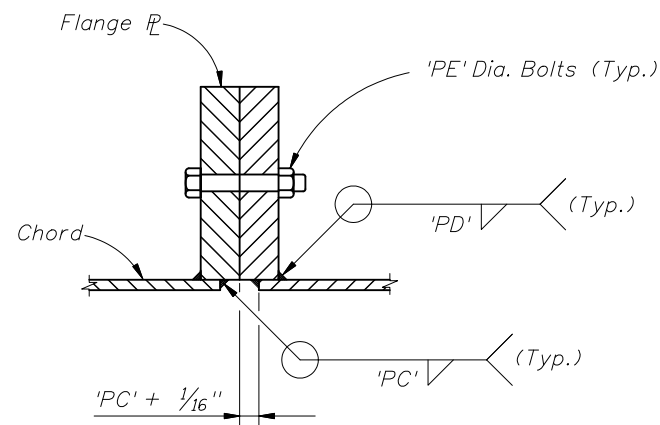
SECTION P-P



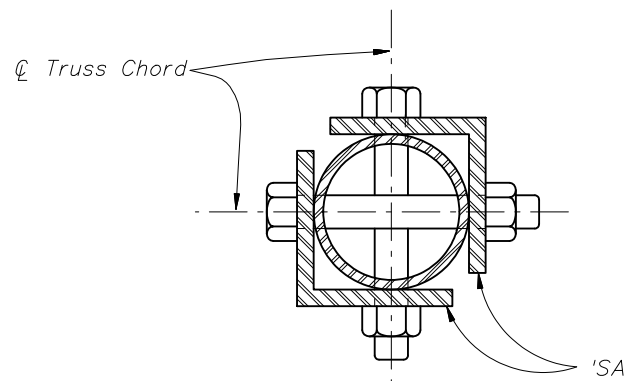
PLAN VIEW  
DRILLED SHAFT



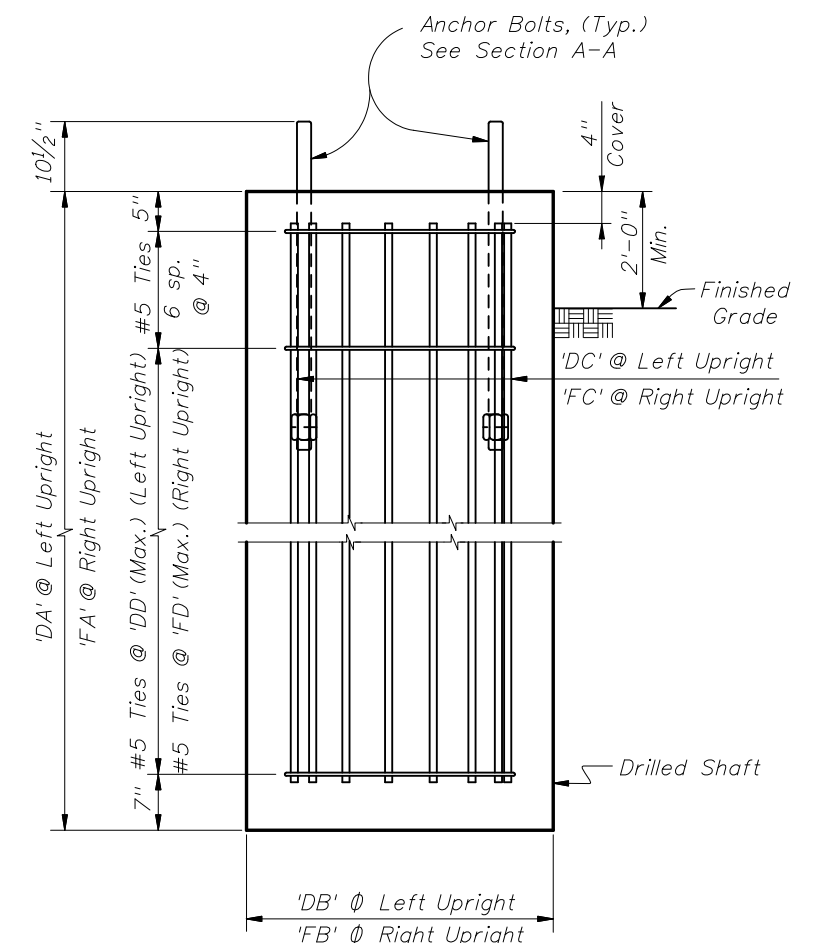
ELEVATION  
SPLICE CONNECTION



SECTION Q-Q



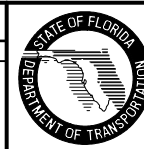
SECTION R-R



ELEVATION  
DRILLED SHAFT

REVISIONS

DATE	BY	DESCRIPTION	DATE	BY	DESCRIPTION
07/01/08	CBH	Changed drilled shaft detail.			



2008 Interim Design Standard

SPAN SIGN STRUCTURE

Interim Date  
07/01/08

Sheet No.  
5 of 5

Index No.  
11320