

NOTES

DESIGN SPECIFICATIONS:

U.S. Access Board "ADA Accessibility Guidelines", July 2004 as adopted with amendments by the USDOT under 49CFR Part 37.

DESIGN LIVE LOADS:

The Guiderail shall resist an equivalent Service Loading of 50 lbs./ft. acting simultaneously in the transverse and vertical direction when applied at the height of the top pedestrian rail (42").

APPLICABILITY NOTE TO DESIGNER:

This Index is not approved for use on bridges. This railing is not applicable for shielding drop-off hazards for vehicular traffic. This railing is applicable for all cases where a pedestrian or bicyclist drop-off hazards do not exceed 2'-6", Pedestrian/Bicycle Railings for customary applications are provided in Index No's. 850 or 860. Also applicable for select uses on sidewalks within service areas and similar locations. Adequate foundation support shall be provided for anchorage and stability against overturning. For unusual site conditions a site specific railing is to be designed by the responsible engineer. Refer to FDOT Plans Preparation Manual (Volume I) Chapters 4 & 8, for the definition of vehicular, pedestrian and bicyclist "drop-off hazards".

ALTERNATE DESIGN:

Manufacturers seeking approval of proprietary railing systems for inclusion on the Qualified Products List as pre-approved alternate designs must submit application along with design documentation showing the proprietary railing system is designed to meet the live load and geometric requirements specified herein, provides a minimum 50 year design life and that deflections due to the Design Live Loads do not exceed 1 1/2" at midspan of the top rail for the Pedestrian Guiderail and 2 1/2" at midspan of the top rail for the Bicycle Guiderail. All fixed joints are to be either welded or commercially designed fixed joint systems. Each field section of railing must be identified with a permanently affixed label with the manufacturer's name and the FDOT QPL approval number. Labels must be a maximum of 1 1/2" by 3" and located at the base of a post within the field section. Project specific shop drawings are required for QPL approved railings, see Shop Drawings note.

In lieu of design calculations, submit certified test reports from an approved independent testing agency. Test railing systems in accordance with ASTM E935 (Test Method A & C) using test loads at least 175% of the design load. Test proprietary or nonstandard anchorage systems in accordance with ASTM E894 (Flexural Test). Anchorage systems must resist the minimum of 175% of the design load for failure of the steel anchors or 220% of the design load for failure in the concrete foundation.

PIPE RAILING & POSTS:

Pipe Rails and Posts shall be in accordance with ASTM A53 Grade B for standard weight pipe and ASTM A500 Grade B, C or D or ASTM A501 for structural tube. Bars for handrail supports shall be ASTM A36. Posts and End Rails shall be fabricated and installed plumb, ± 1" tolerance when measured at 3'-6" above the foundation. Corners and changes in tangential longitudinal alignment, may be made continuous with a 9" bend radius or terminated at adjoining sections with a standard end hoop when handrails are not required. For changes in tangential longitudinal alignment greater than 45°, posts shall be positioned at a maximum distance of 2'-0" each side of the corner and shall not be located at the corner apex. For curved longitudinal alignments the top and bottom rails and handrails shall be shop bent to match the alignment radius.

RAILING MEMBER DIMENSIONS TABLE

MEMBER	DESIGNATION	OUTSIDE DIMENSION	WALL THICKNESS
Posts	2" NPS (Sch. 40)	2.375"	0.154"
Rails	2" NPS (Sch. 40)	2.375"	0.154"
Rail Joint/Splice Sleeves	1 1/2" NPS (Sch. 40)	1.900"	0.145"
Handrails Joint/Splice Sleeves	1" NPS (Sch. 40)	1.315"	0.133"
Handrails	1 1/2" NPS (Sch. 40)	1.900"	0.145"
Handrail Support Bar	1" Ø Round Bar	1.000"	N/A

BASE PLATES:

Base Plates shall be in accordance with ASTM A36 or ASTM A709 Grade 36.

SHIM PLATES:

Shim Plates shall be aluminum in accordance with ASTM B209, Alloy 6061 or 6063. Shim plates shall be used for foundation height adjustments greater than 1/4" and localized irregularities greater than 1/8". Field trim shim plates when necessary to match the contours of the foundation. Bevelled shim plates may be used in lieu of trimmed flat shim plates shown. Stacked shim plates must be bonded together with adhesive bonding material and limited to a maximum total thickness of 1/2", unless longer anchor bolts are provided for the exposed thread length.

COATINGS:

The railing shall be hot-dip galvanized after fabrication in accordance with Section 962 of the Specifications. All nuts, bolts and washers shall be hot-dip galvanized in accordance with Section 962 of the Specifications.

ANCHOR BOLTS:

Anchor bolts shall be in accordance with ASTM F1554 Grade 36. Headless anchor bolts for Adhesive Anchors shall be threaded full length. Cutting of reinforcing steel is permitted for drilled hole installation. All anchor bolts shall have single self-locking hex nuts. Tack welding of the nut to the anchor bolt may be used in lieu of self-locking nuts. All nuts shall be in accordance with ASTM A563 or ASTM A194. Flat Washers shall be in accordance with ASTM F436 and Plate Washers (for long slotted holes only), shall be in accordance with ASTM A36 or ASTM A709 Grade 36. After the nuts have been snug tightened, the anchor bolt threads shall be distorted to prevent removal of the nuts. Distorted threads and tack welds shall be coated with a galvanizing compound in accordance with the Specifications.

RESILIENT AND NEOPRENE PADS:

Resilient and Neoprene pads shall be in accordance with Specification Section 932, except that testing of the finished pads shall not be required. Neoprene pads shall be durometer hardness 60 or 70.

JOINTS:

All fixed joints are to be welded all around and ground smooth. Expansion Joints shall be spaced at a maximum of 30'-0". Field splices similar to the expansion joint detail may be approved by the Engineer to facilitate shipping and handling, but rails must be continuous across a minimum of two posts. Only use the Continuity Field Splice (Detail "E") to make the railing continuous for unforeseen field adjustments.

WELDING:

All welding shall be in accordance with the American Welding Society Structural Welding Code (Steel) ANSI/AWS D1.1 (current edition). Weld metal shall be E60XX or E70XX. Nondestructive testing of welds is not required.

SHOP DRAWINGS:

Complete details addressing project specific geometry (line & grade) showing post and expansion joint locations must be submitted by the Contractor for the Engineer's approval prior to fabrication of the railing. Shop drawings shall be in accordance with the Specifications.

PAYMENT:

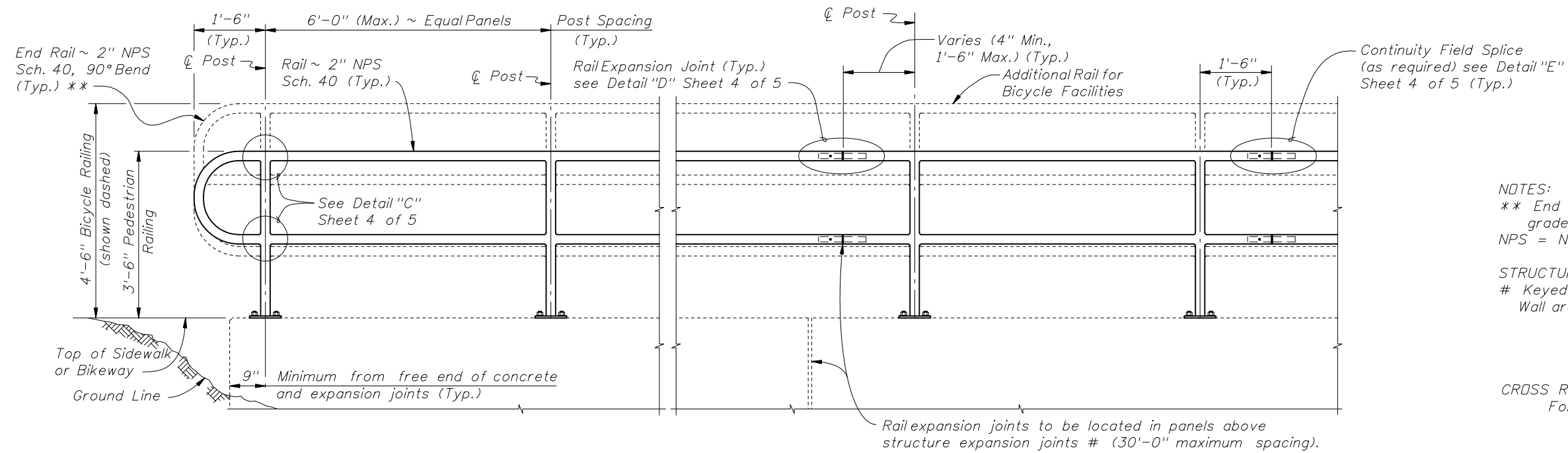
Guiderail shall be paid for under the contract unit price for Pipe Guiderail (Steel), LF (Item No. 515-1-1). Payment for the Guiderail will be plan quantity measured as the length along the center line of the top rail, and includes rails, posts, rail splice assembly, base plates, anchor bolts, nuts, washers, resilient or neoprene pads and all incidental materials and labor required to complete installation of the Guiderail.



2008 FDOT Design Standards

STEEL PIPE GUIDERAIL

Last Revision	Sheet No.
07/01/07	1 of 5
Index No.	
880	



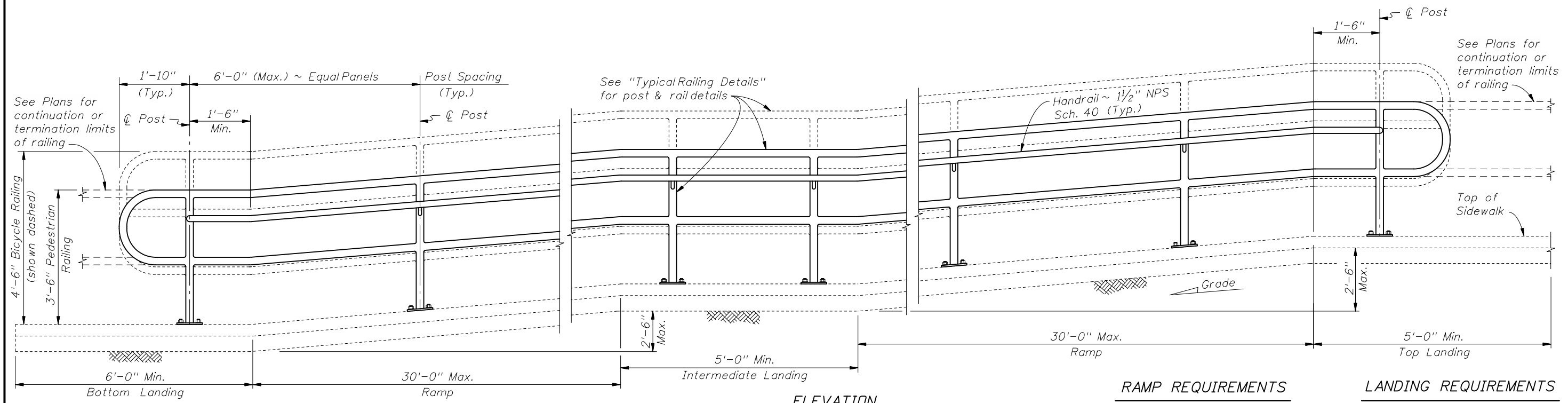
NOTES:
 ** End Rail bend varies for Railings on grades steeper than 2.4%.
 NPS = Nominal Pipe Size

STRUCTURES EXPANSION JOINTS NOTE:
 # Keyed construction joints in Index No. 520 Gravity Wall are not considered to be expansion joints.

CROSS REFERENCE:
 For Details "C", "D" and "E", see Sheet 4 of 5.

ELEVATION

TYPICAL RAILING DETAILS & RAILINGS ON GRADES 0% TO 5%

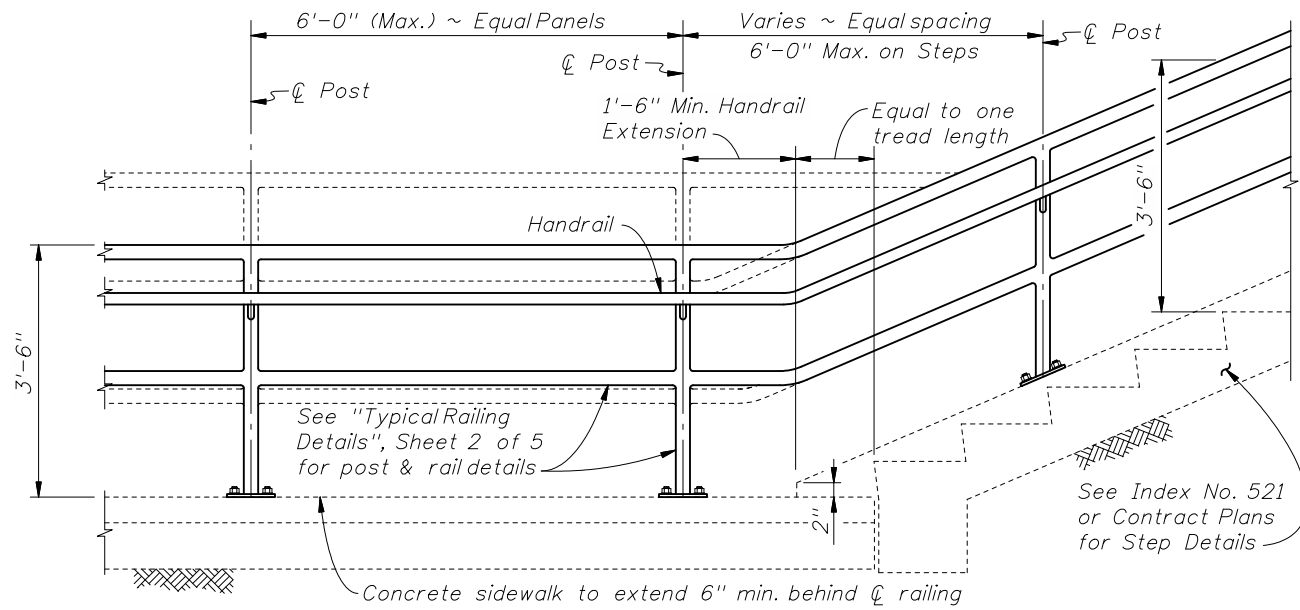


ELEVATION
 (Showing Inside Face of Railing)

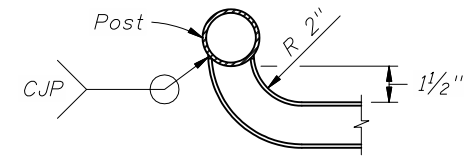
RAMP REQUIREMENTS
 For slopes greater than 5%:
 Max. ramp slope = 8.33%
 Max. ramp cross-slope = 2.0%

LANDING REQUIREMENTS
 Max. landing slope = 2%
 Max. landing cross-slope = 2%

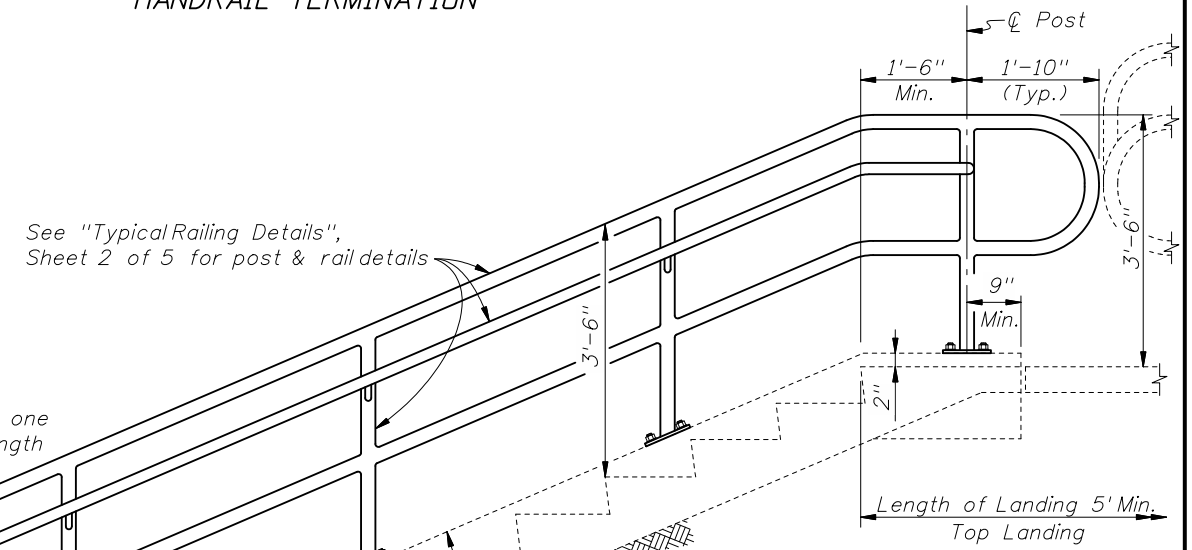
RAILINGS ON GRADES STEEPER THAN 5% TO 8.33%



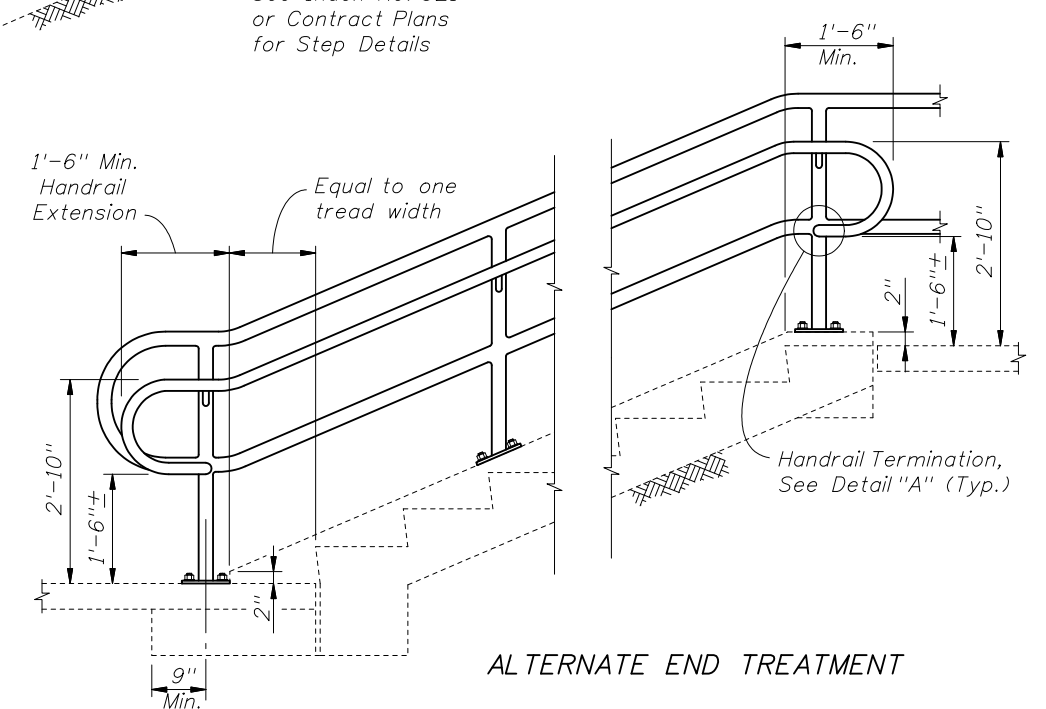
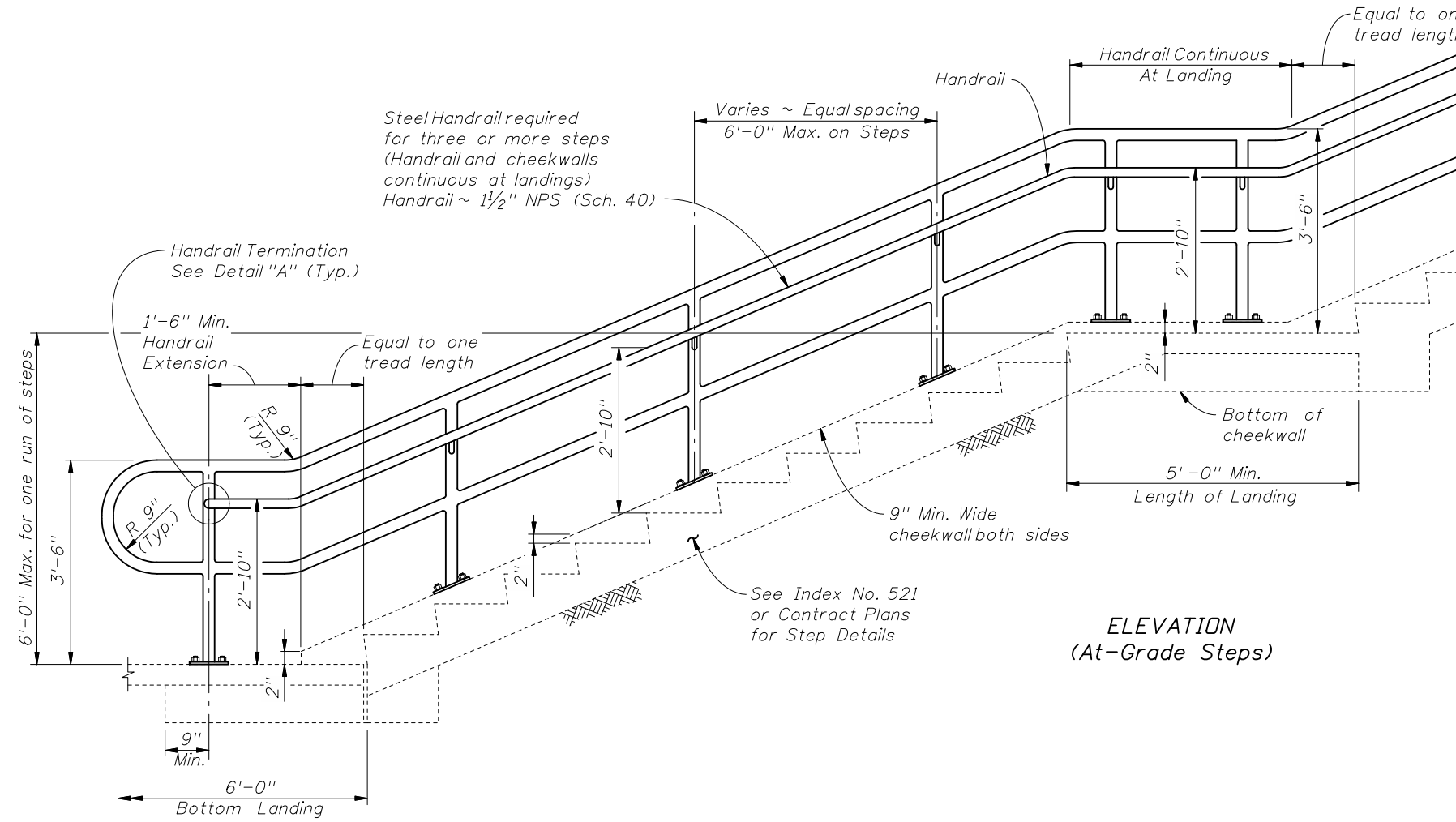
RAILING CONTINUATION BEYOND STEPS
(Bottom shown, Top similar)



DETAIL "A" - PLAN VIEW
HANDRAIL TERMINATION



ELEVATION
(At-Grade Steps)



ALTERNATE END TREATMENT

RAILINGS ON STEPS & STAIRS

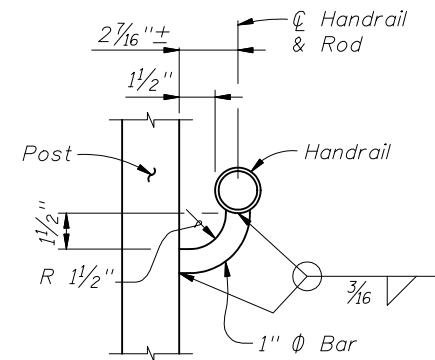


2008 FDOT Design Standards

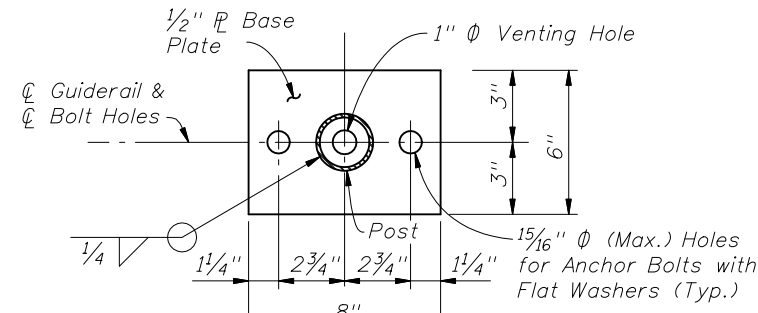
STEEL PIPE GUIDERAIL

Last Revision 01/01/07 Sheet No. 3 of 5

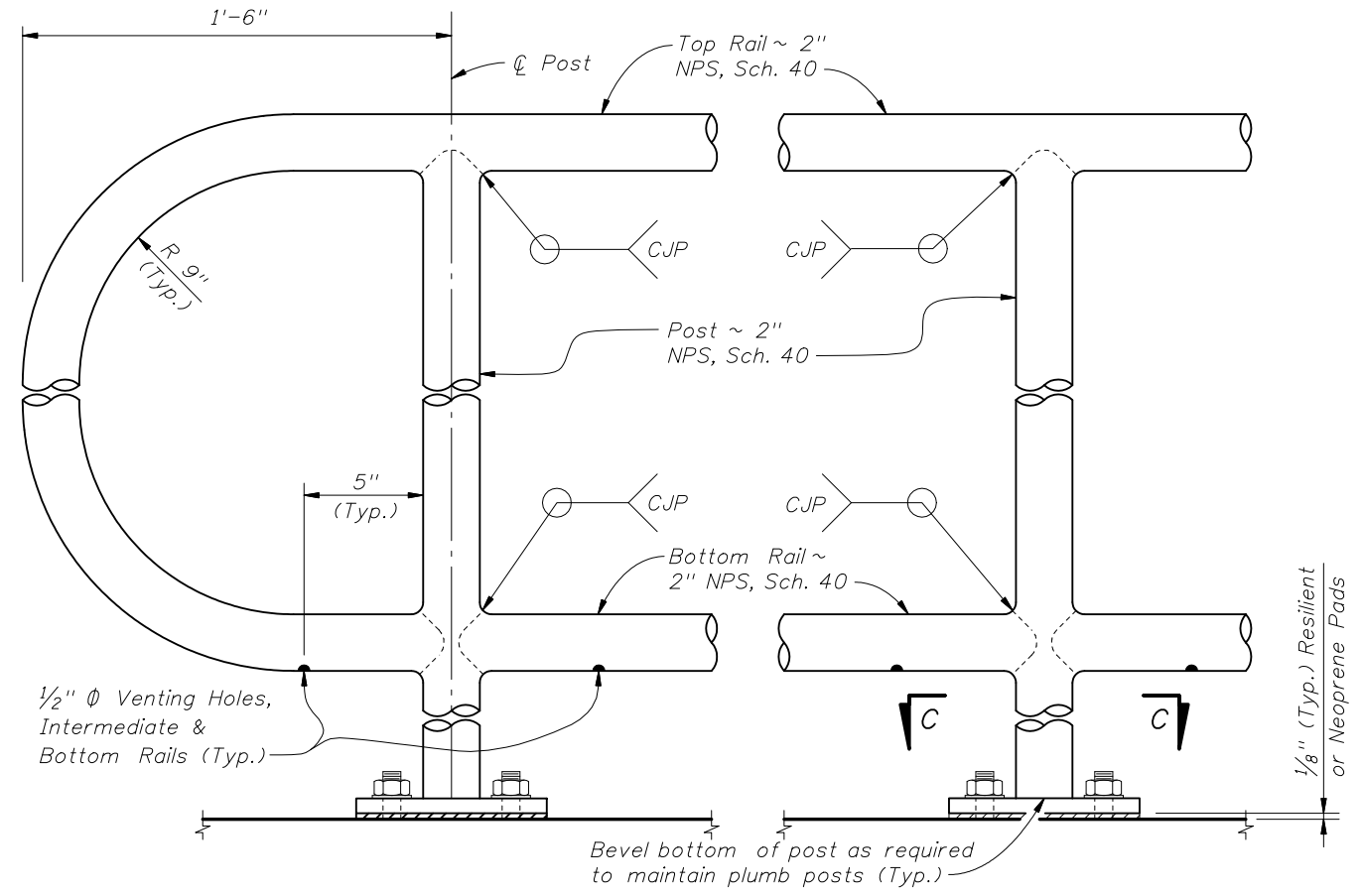
Index No. 880



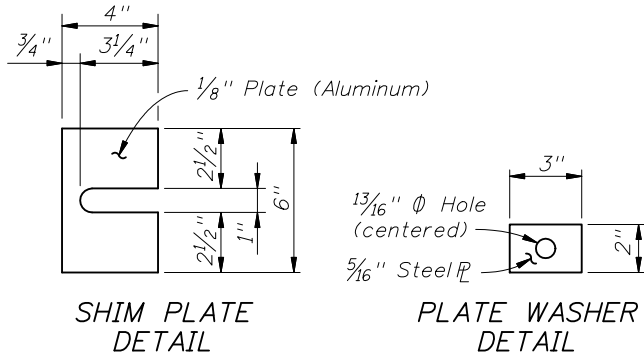
SECTION B-B
(Handrail Connection)



SECTION C-C
BASE PLATE DETAIL

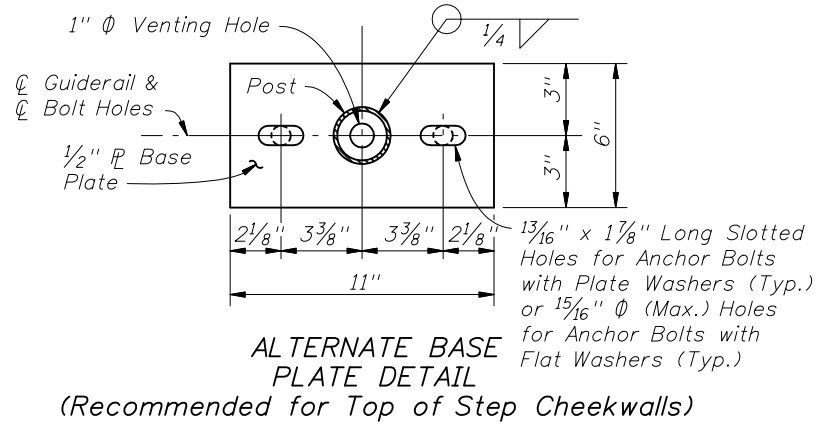


DETAIL "C" - RAIL CONNECTIONS
(Intermediate Rail and Handrail Not Shown)

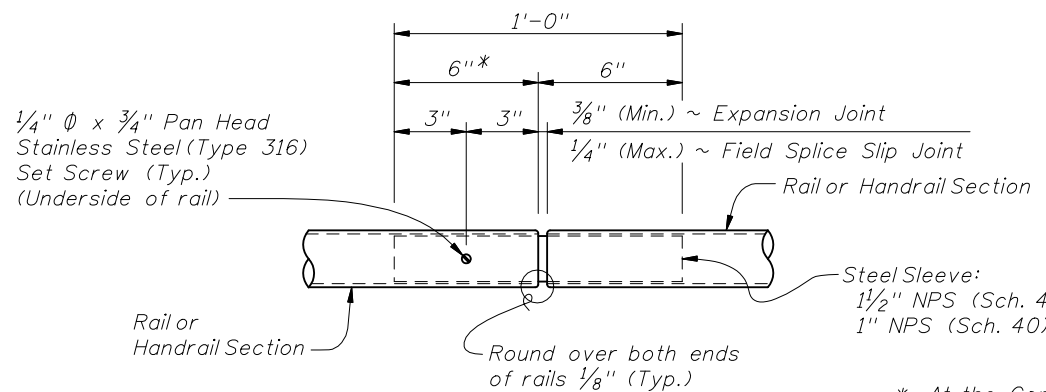


SHIM PLATE
DETAIL

PLATE WASHER
DETAIL

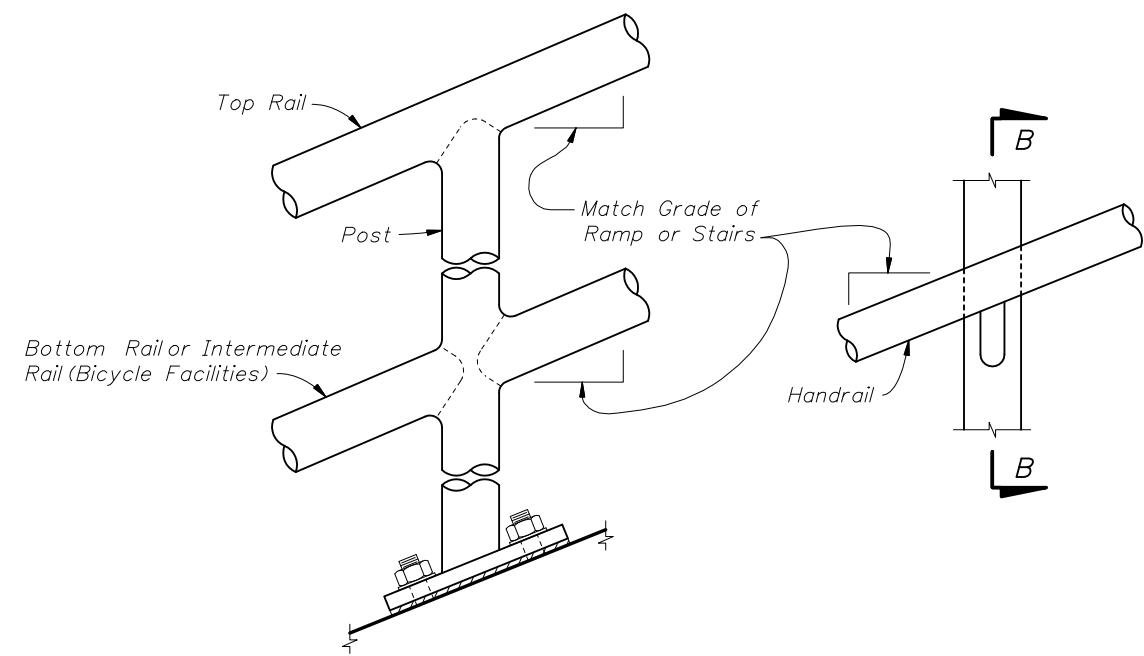


ALTERNATE BASE
PLATE DETAIL
(Recommended for Top of Step Cheekwalls)

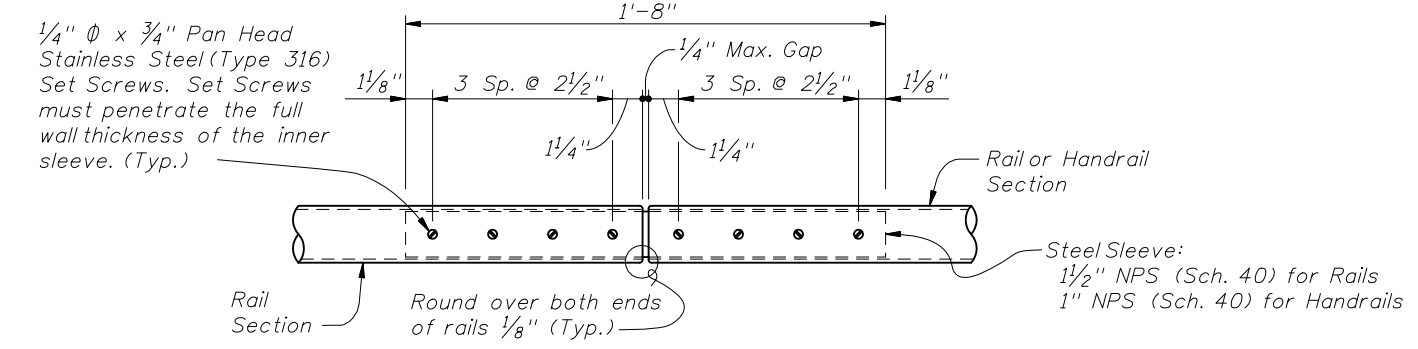


DETAIL "D" - EXPANSION JOINT
(FIELD SPLICE SLIP JOINT SIMILAR)

* At the Contractor's option, embedded length may be 4" when a 3/4" diameter plug weld is substituted for the 1/4" diameter set screw.

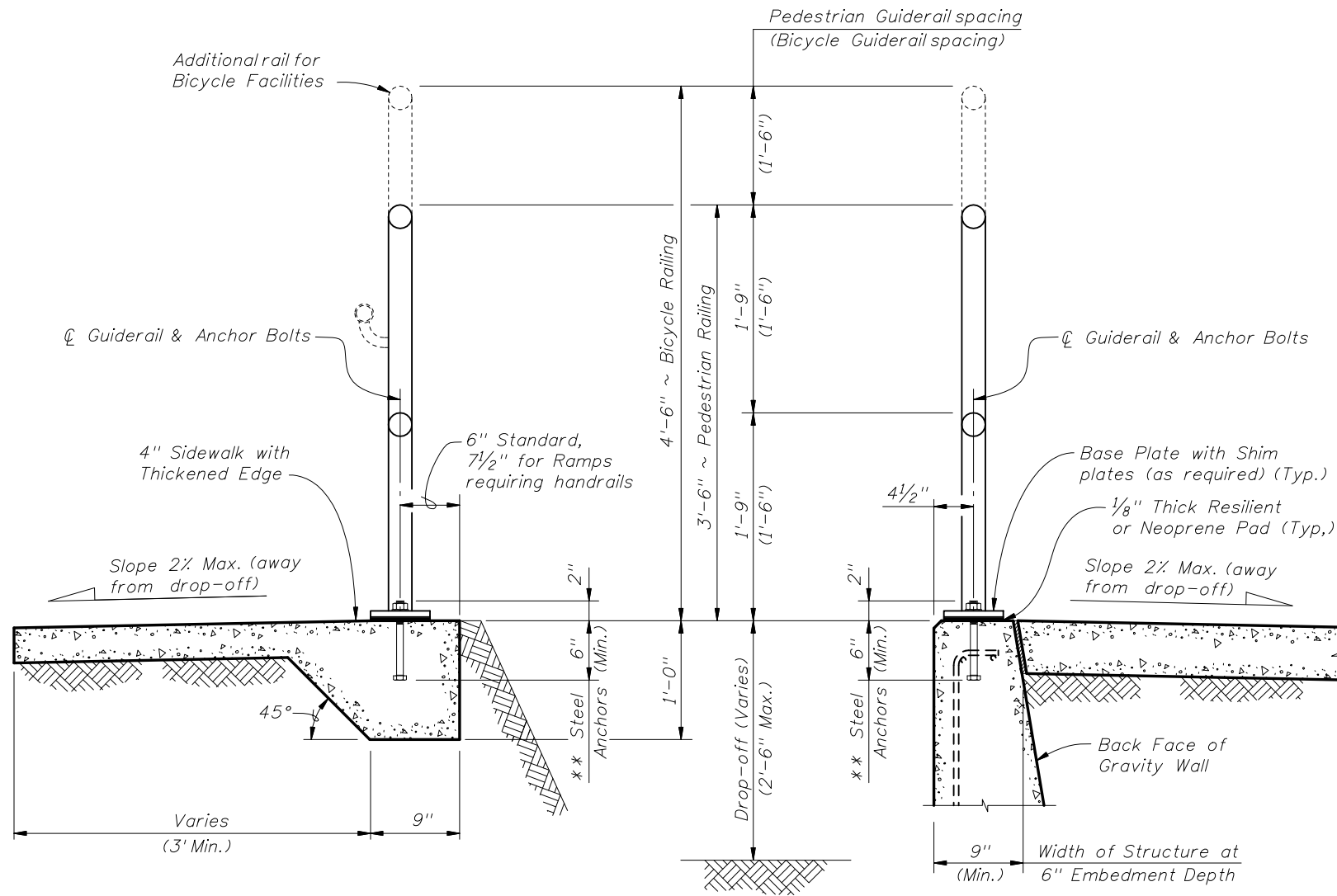


DETAIL "B" - RAIL AND HANDRAIL
(Showing Sloped Condition for Stairs or Ramp)



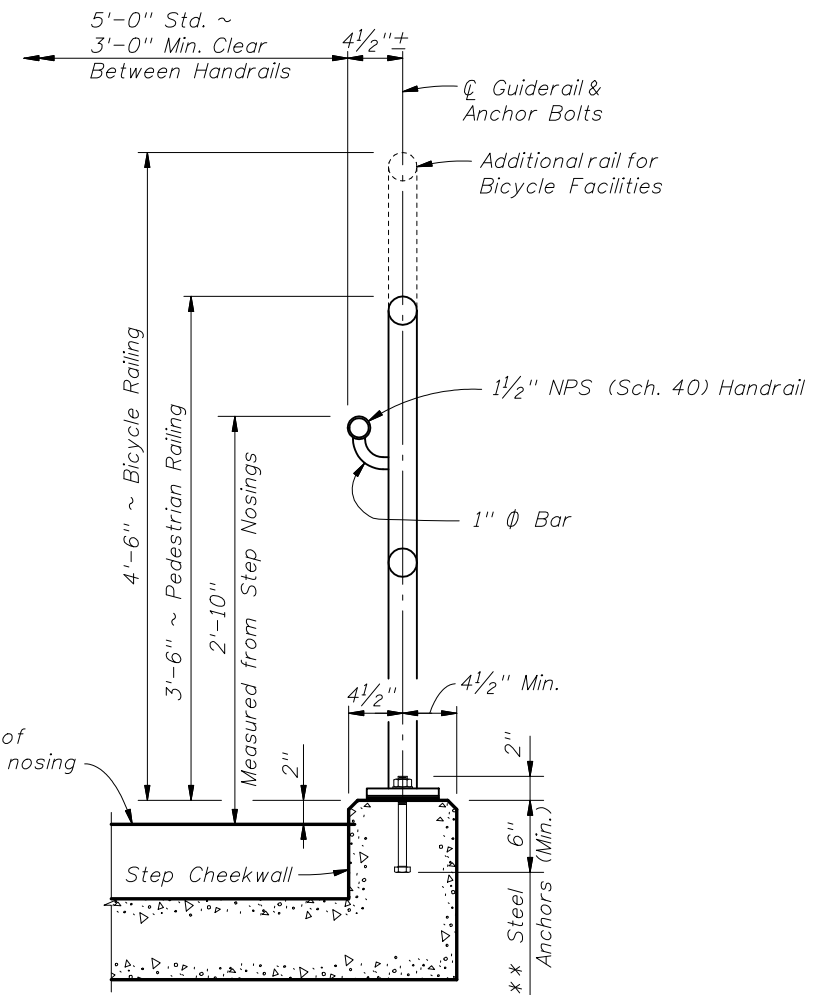
DETAIL "E" - CONTINUITY
FIELD SPLICE

CROSS REFERENCE:
For locations of Details "C", "D" and "E", see Sheet 2 of 5.

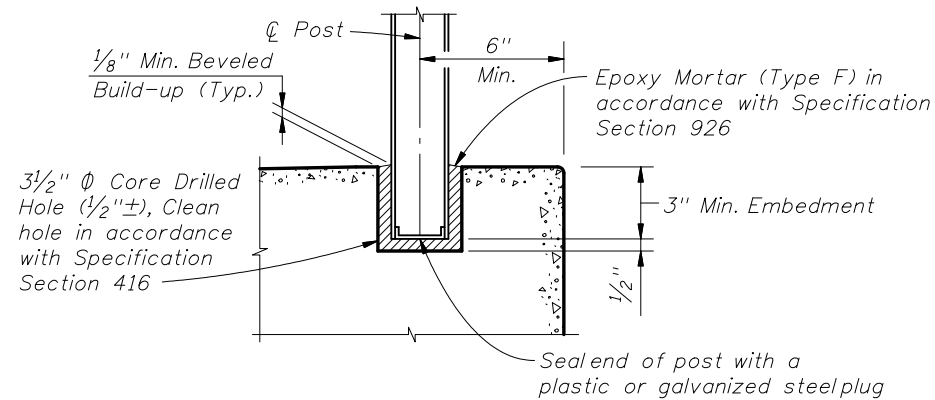


TYPICAL SECTION ON CONCRETE SIDEWALK

TYPICAL SECTION ON GRAVITY WALL
(Other Retaining Walls Similar)



TYPICAL SECTION ON STEPS & STAIRS



OPTIONAL SIDEWALK ANCHORAGE DETAIL

NOTES:

- ** 2 ~ 3/4" ϕ x 8" Steel Anchors:
Galvanized Steel Bolts (As Shown) (C-I-P); Galvanized U-Bolts Permitted (C-I-P); Galvanized Adhesive Anchors Permitted (***) ; Expansion Anchors Not Permitted.
- *** Adhesive anchors shall be fully threaded headless anchor bolts set in drilled holes (manufacturer recommended diameter) with an Adhesive Bonding Material System in accordance with Specification Section 937 and installed in accordance with Specification Section 416. The minimum embedment is 6".



2008 FDOT Design Standards

STEEL PIPE GUIDERAIL

Last Revision	Sheet No.
07/01/07	5 of 5
Index No.	
880	