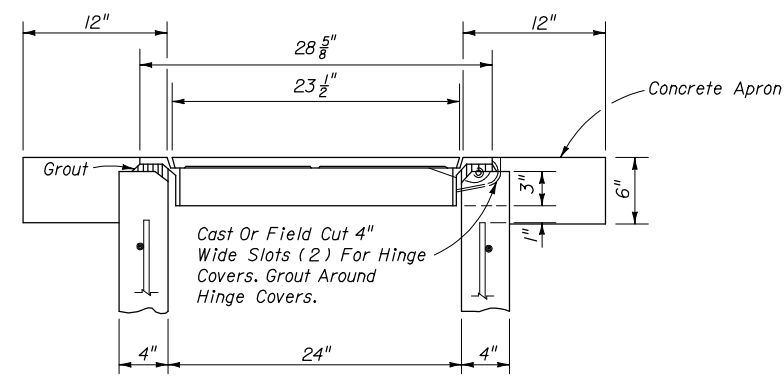
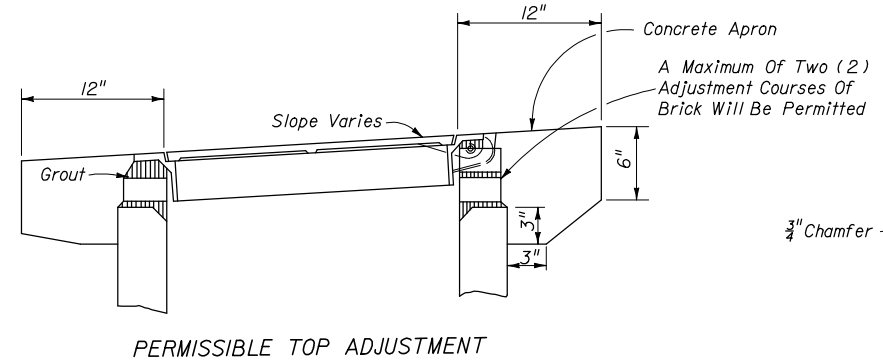
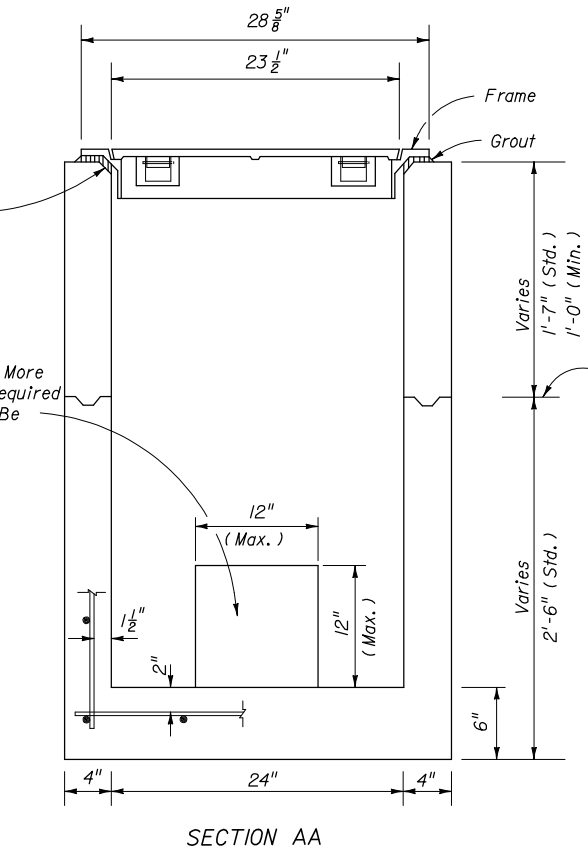
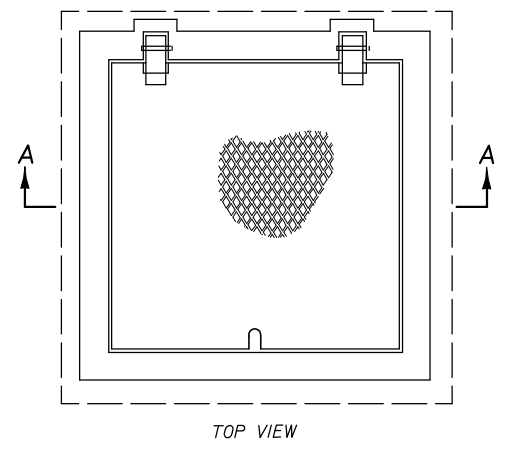


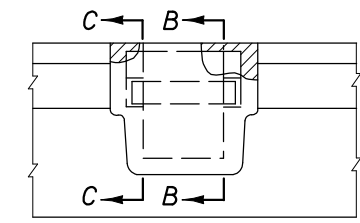
TYPICAL INSTALLATION ON SLOPES



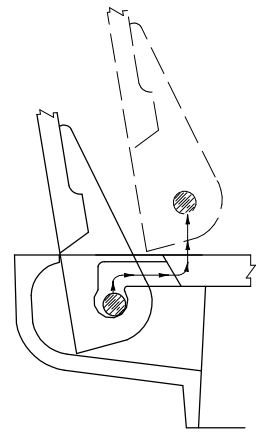
TYPICAL TOP AND APRON



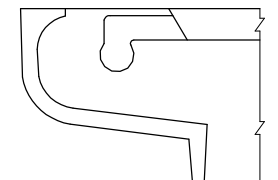
BOX AND TOP



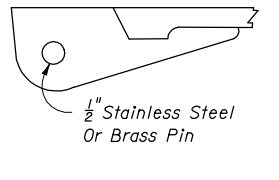
BACK VIEW



COVER REMOVAL



SECTION CC



SECTION BB

HINGE DETAIL

GENERAL NOTES

1. Cast iron cover and frame to be Neenah Foundry Company R-6660-JH, U.S. Foundry & Manufacturing Corporation No. 7640-JK or equal. Neenah R-6660-JH detailed this index.
2. Box to be Class I Concrete, reinforced with No. 3 bars on 8" centers both ways, sides and bottom.
3. Concrete apron to be included in the contract unit price for Underdrain Inspection Box.
4. All covers shall be furnished with pick holes. Fitted lifts or handles are not permitted.
5. Manhole Type P Alternate A, Index No. 200, with Type I Frame and Cover, Index No. 201, may be used in lieu of the box detailed on this sheet, and is recommended when high ADT increases chance of the repeated vehicle loadings.