

FIGURE A  
POLE MOUNTED  
DETECTOR STATION

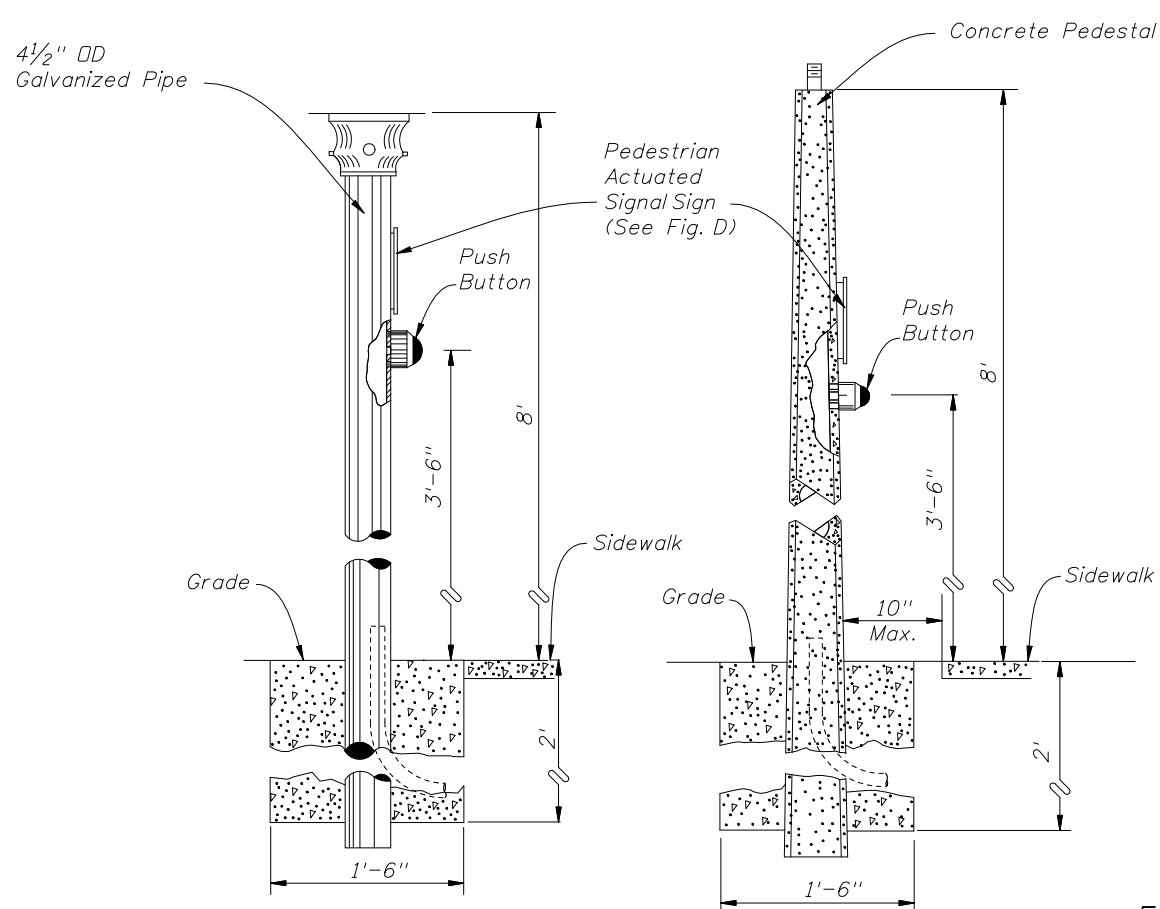


FIGURE B  
PEDESTAL STATION  
DETECTOR STATION

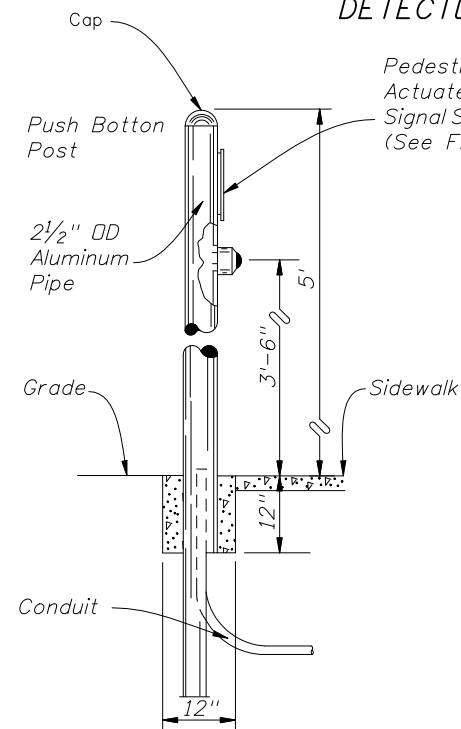


FIGURE C  
POST DETECTOR STATION  
DETECTOR STATION

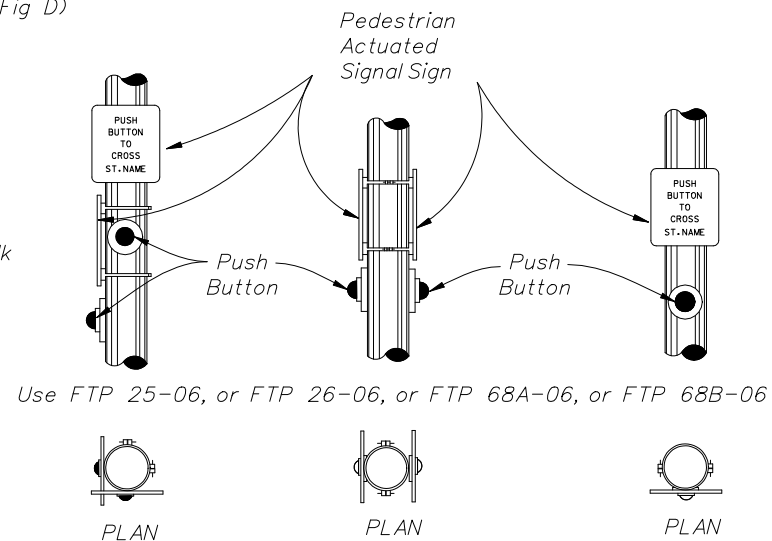


FIGURE D

Use FTP 25-06, or FTP 26-06, or FTP 68A-06, or FTP 68B-06

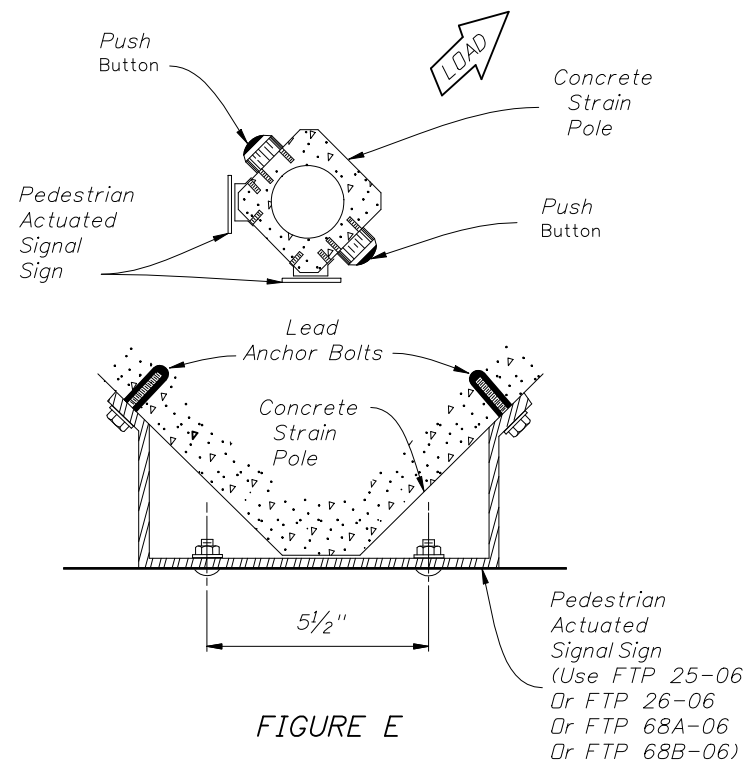


FIGURE E

Pedestrian Actuated Signal Sign (Use FTP 25-06 Or FTP 26-06 Or FTP 68A-06 Or FTP 68B-06)

Notes:

1. Signs shall be mounted above detectors, explaining their purpose and use.
2. The positioning of pedestrian push button should clearly indicate which crosswalk signal is actuated by each push button.
3. Push buttons and signs are to be mounted in accordance with Standard Specifications, section 665.
4. Meet all grounding requirements of Section 620 of the Standard Specifications.

Note To Designers:

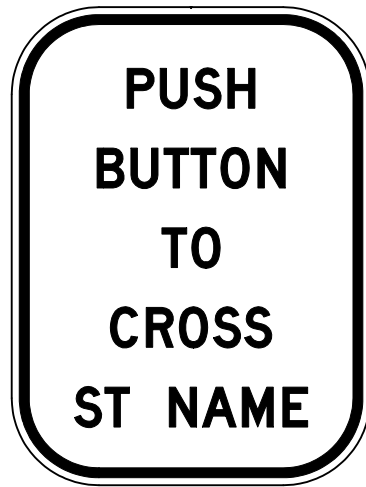
The designer should ensure the 10" distance in Figure A & B is maintained. This distance can vary depending on post or pedestal type or whether a frangible base is used and sidewalk configuration.



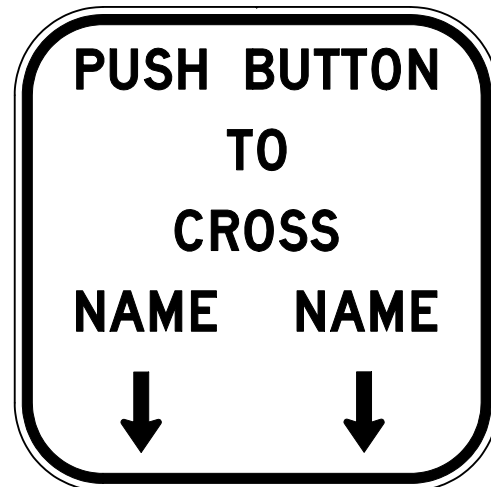
2008 FDOT Design Standards

PEDESTRIAN DETECTOR  
ASSEMBLY INSTALLATION DETAILS

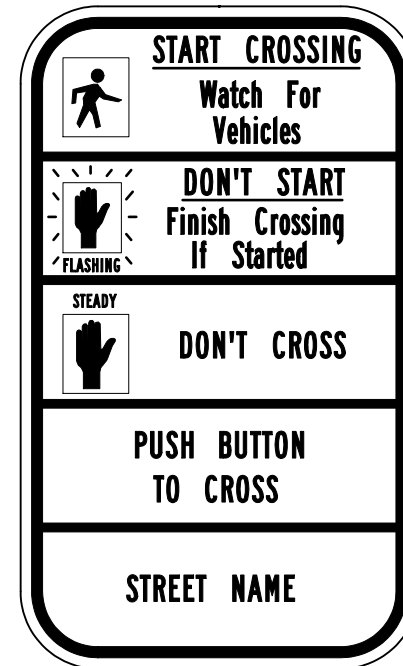
Last Revision	Sheet No.
07/01/07	1 of 2
Index No.	
17784	



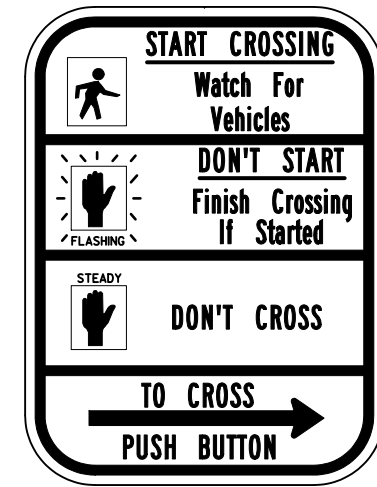
FTP-25-06



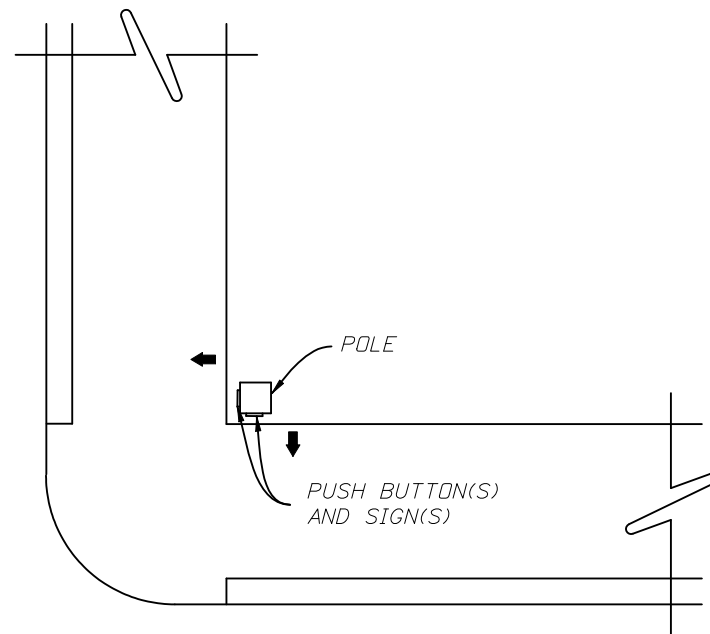
FTP-26-06



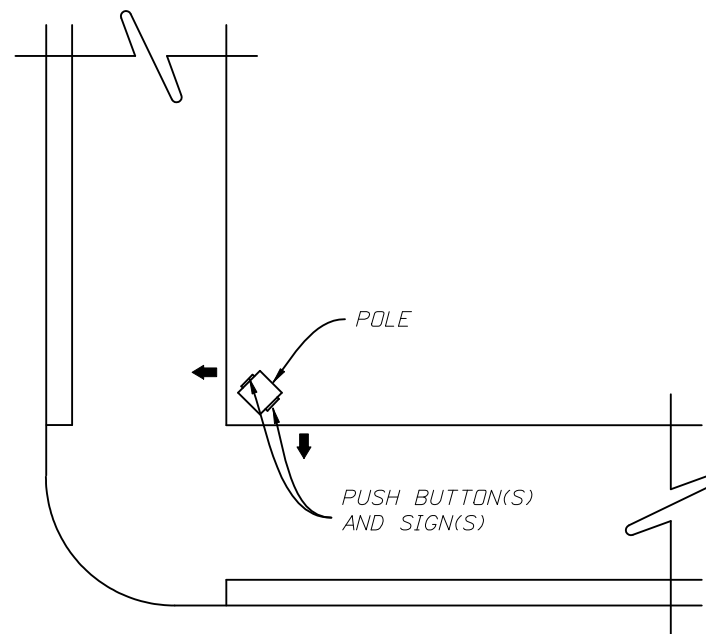
FTP-68A-06



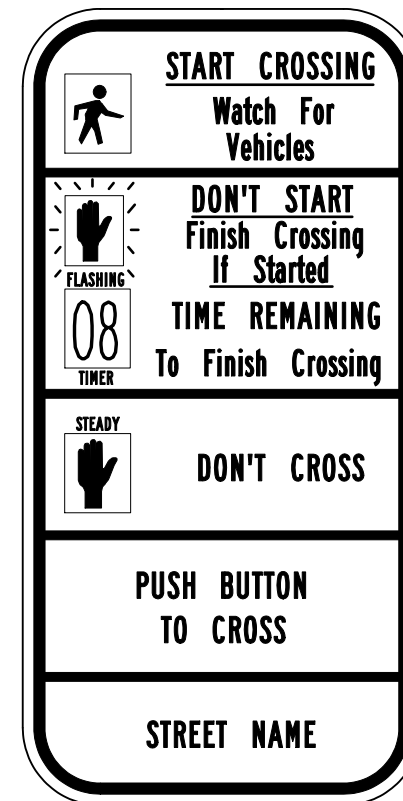
R10-3b



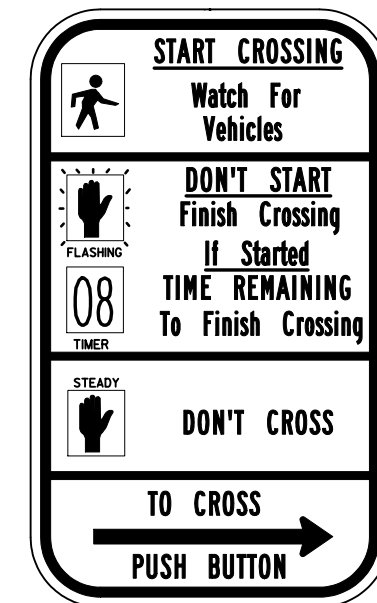
CASE I  
POLE PARALLEL TO CURBLINE  
ALTERNATE TO FIGURE F



CASE II  
POLE DIAGONAL TO CURBLINE



FTP-68B-06



R10-3e

NOTE:

1. Refer to the MANUAL ON UNIFORM TRAFFIC CONTROL DEVICES figure 2B-18 Pedestrian Signs, The STANDARD HIGHWAY SIGNS MANUAL (English) Sign R10-3b for Text Size, Spacing and Symbol size. Also see DESIGN STANDARDS Index 17355 for details of FTP signs.



2008 FDOT Design Standards

PEDESTRIAN DETECTOR  
ASSEMBLY INSTALLATION DETAILS

Last Revision	Sheet No.
07/01/05	2 of 2
Index No.	
17784	