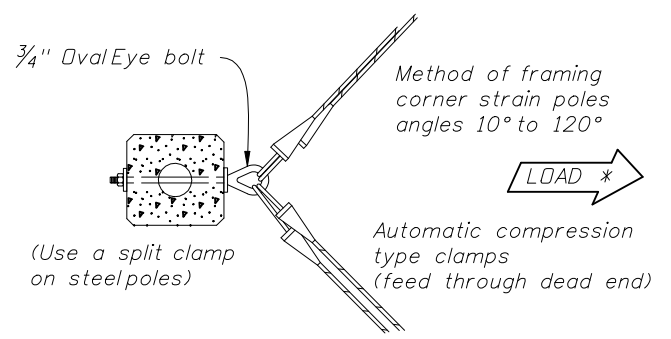
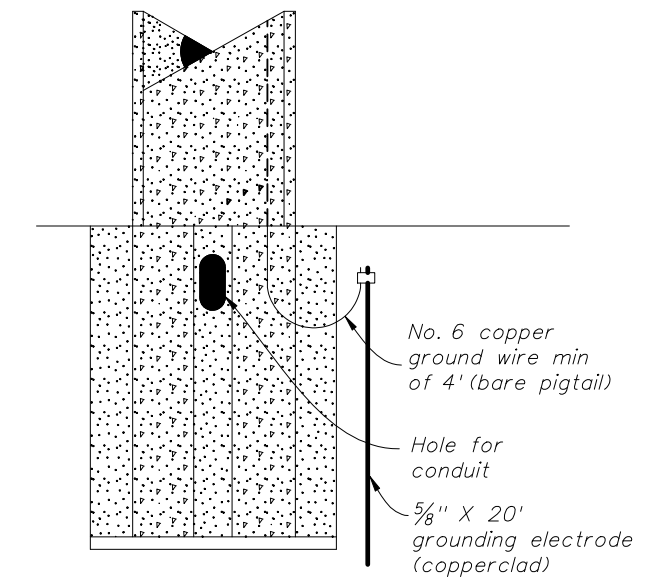


RETROFIT INSTALLATION

Note:
Clamp location shall be adjusted to compensate for reduced sag and vertical clearance to bottom of signal head.

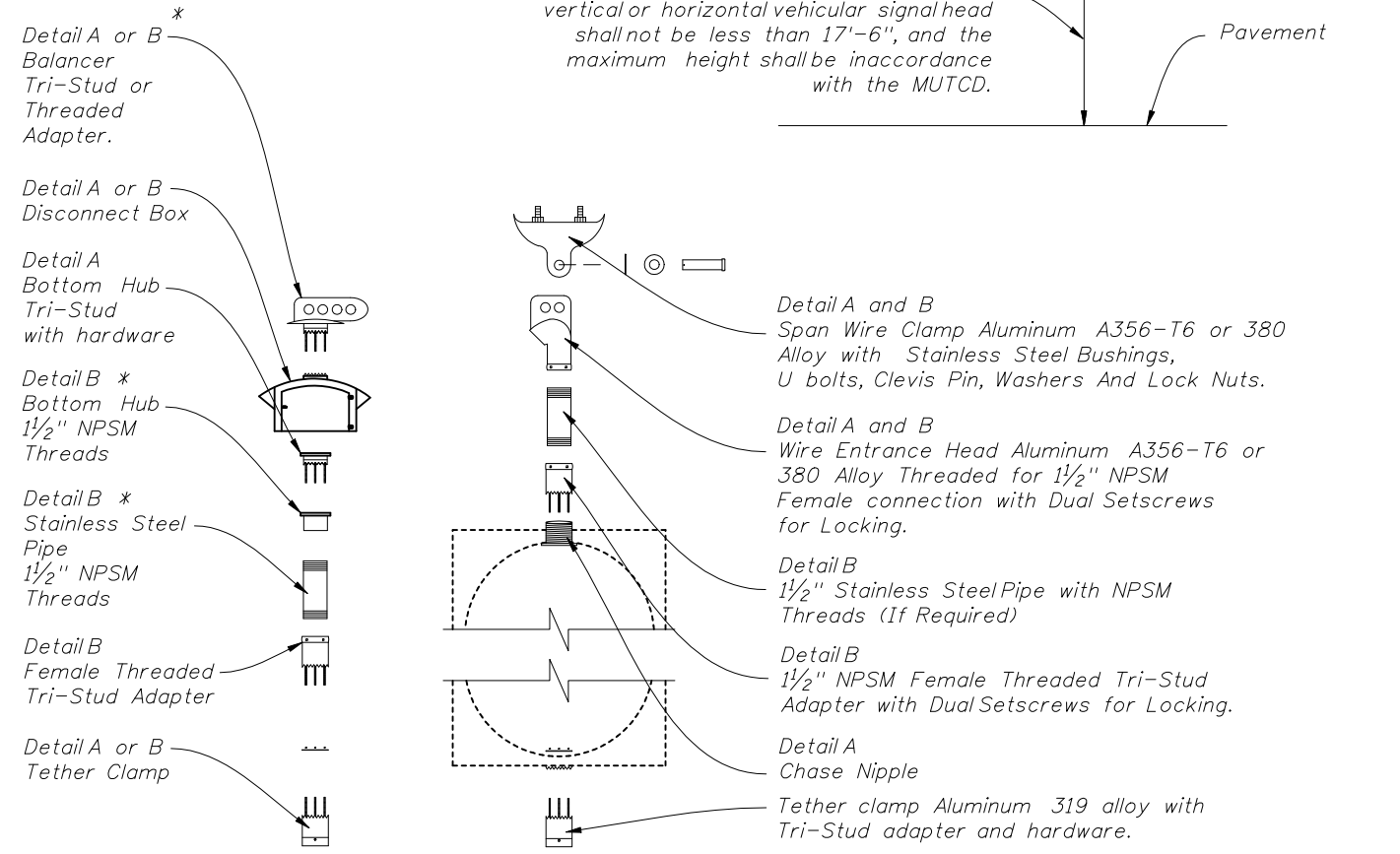


* The load face of pole shall be perpendicular to load.



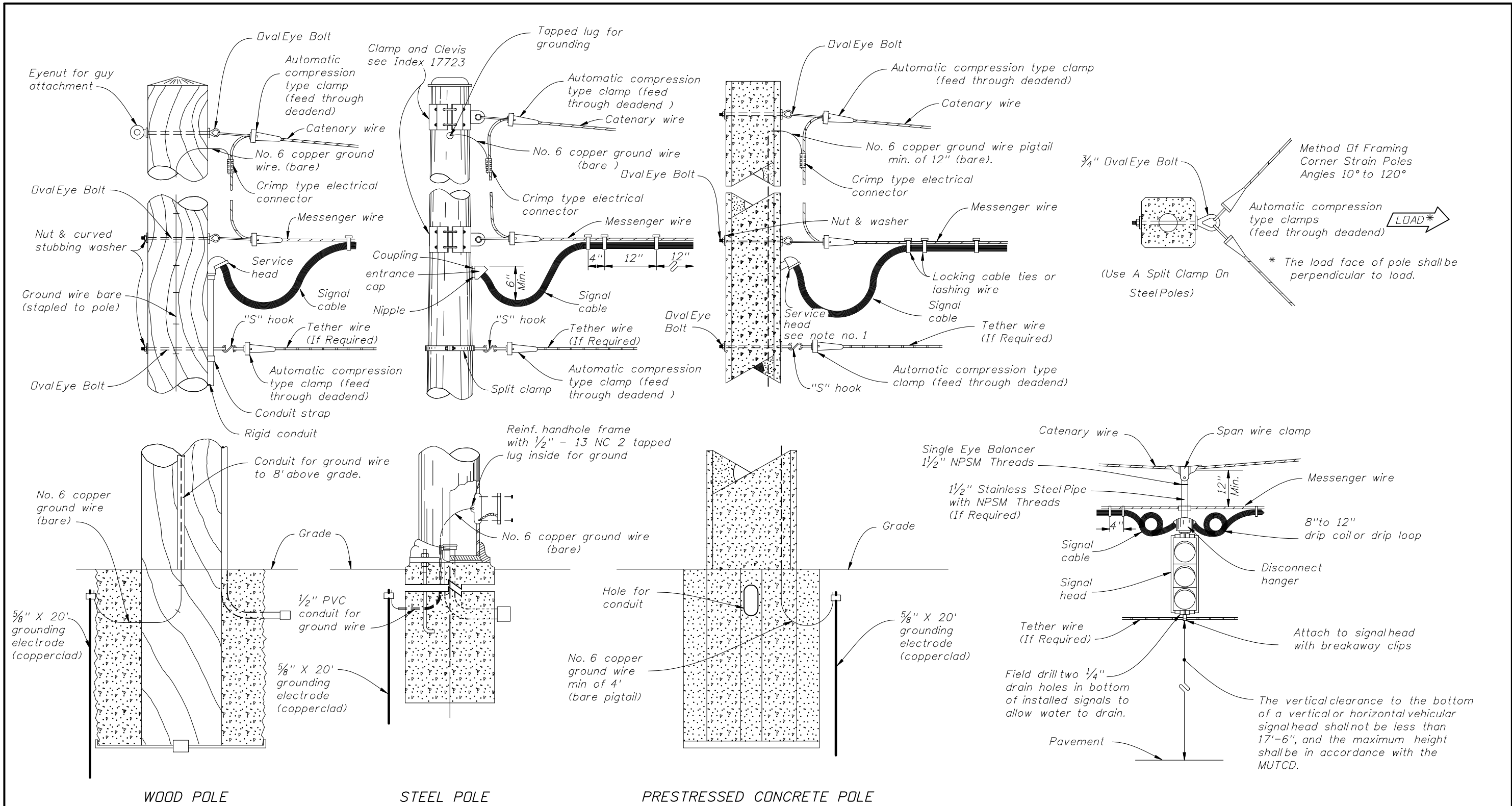
**PRESTRESSED CONCRETE POLE
NEW CONSTRUCTION**

- Notes:
1. With the approval of the resident engineer, the service head hole for joint use poles may be drilled by the utility company at an angle of 90° but not less than 45° to the face of the pole.
 2. Lashing wire should normally be used for distances of 12' or greater.
 3. All hardware for Signal attachment shall be Stainless Steel.
 4. Meet all grounding requirements of Section 620 of the Standard Specifications.



* For long pipe hangers a wire entrance head may be substituted for balancer and the drop pipe installed above the disconnect box.

SINGLE POINT ATTACHMENT



TWO POINT ATTACHMENT