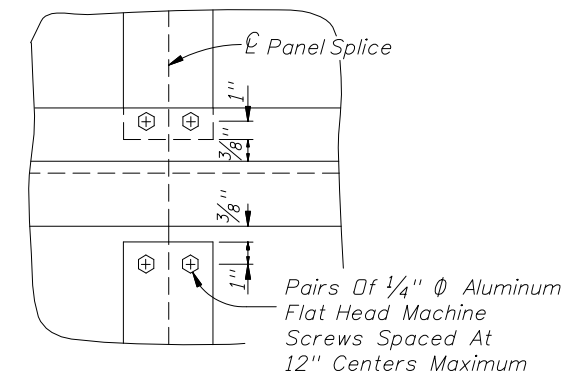
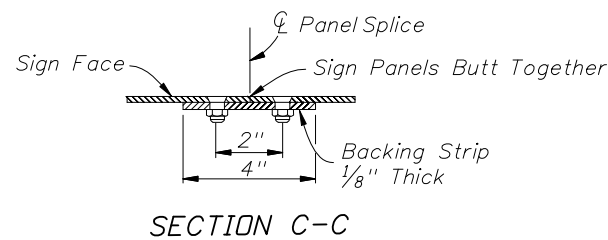
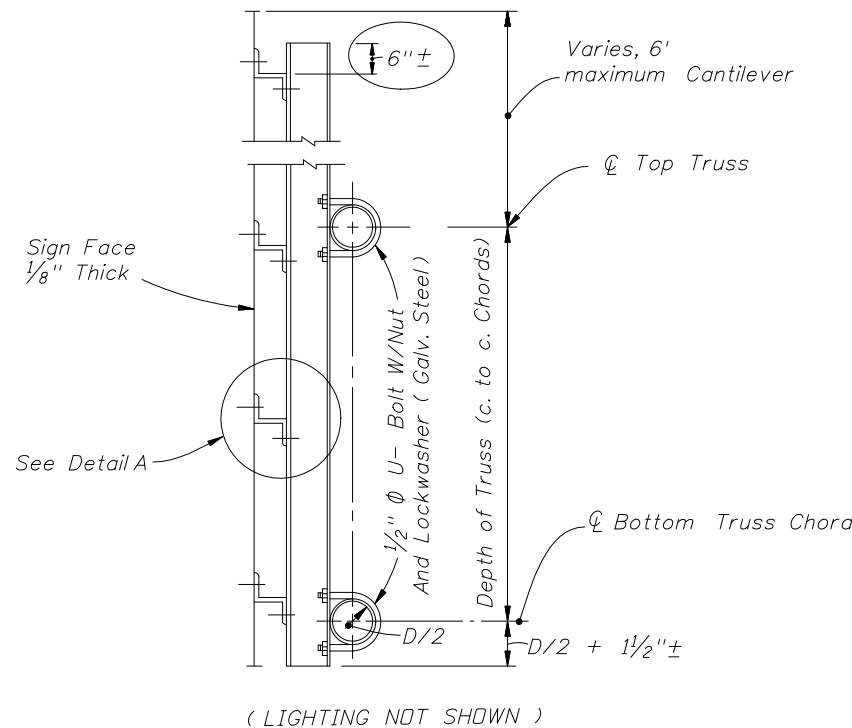


*Note: Spacing of vertical hangers may be varied slightly or as necessary to clear the truss struts and diagonals at panel points.
TYPICAL SIGN FACE ELEVATION FOR OVERHEAD TRUSS

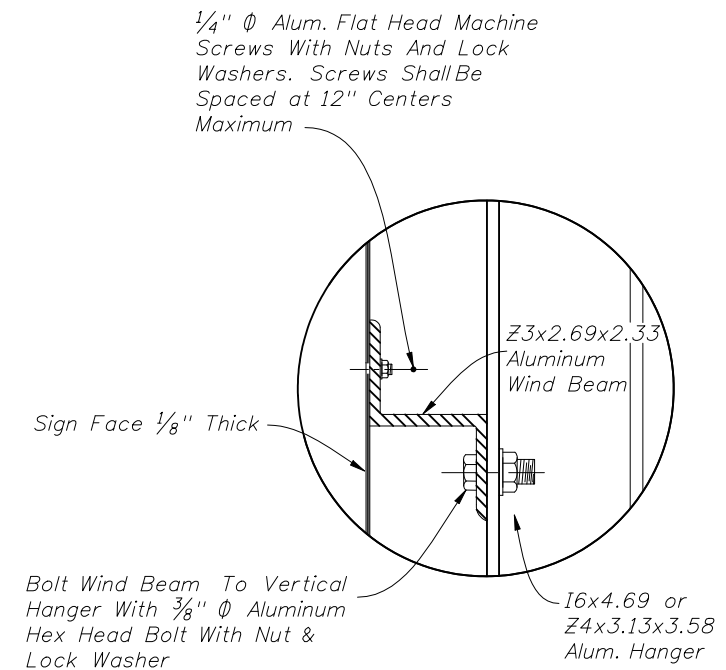
Number Of Z3x2.69x2.33 Horiz. Wind Beams For Sign Depth And Wind			Number Of 16x4.69 or Z4x3.13x3.58 Vertical Hanger Beams For Sign Length			
Wind M.P.H.	No. Beams	Max. Depth	2 Hangers Sign Length	3 Hangers Sign Length	4 Hangers Sign Length	5 Hangers Sign Length
150	2	5'-0"	0 to 15'-0"	15'-1" to 30'-0"	30'-1" to 45'-0"	
150	3	8'-6"	0 to 15'-0"	15'-1" to 30'-0"	30'-1" to 45'-0"	
150	4	11'-6"	0 to 13'-0"	13'-1" to 18'-3"	18'-4" to 24'-9"	24'-10" to 31'-4"
150	5	14'-0"	0 to 13'-0"	13'-1" to 18'-3"	18'-4" to 24'-9"	24'-10" to 31'-4"
130	2	5'-3"	0 to 15'-0"	15'-1" to 30'-0"	30'-1" to 45'-0"	
130	3	8'-10"	0 to 15'-0"	15'-1" to 22'-3"	22'-4" to 30'-0"	30'-1" to 38'-0"
130	4	12'-0"	0 to 15'-0"	15'-1" to 22'-3"	22'-4" to 30'-0"	30'-1" to 38'-0"
130	5	15'-0"	0 to 11'-7"	11'-8" to 16'-4"	16'-5" to 22'-2"	22'-3" to 28'-0"
110	2	5'-6"	0 to 15'-0"	15'-1" to 30'-0"	30'-1" to 45'-0"	
110	3	9'-6"	0 to 15'-0"	15'-1" to 27'-3"	27'-4" to 37'-0"	37'-1" to 45'-0"
110	4	12'-9"	0 to 15'-0"	15'-1" to 27'-3"	27'-4" to 37'-0"	37'-1" to 45'-0"
110	5	16'-0"	0 to 14'-3"	14'-4" to 20'-0"	20'-1" to 27'-0"	27'-1" to 34'-3"



BACKING STRIP DETAIL



TYPICAL DETAIL OF SIGN & TRUSS CONNECTION

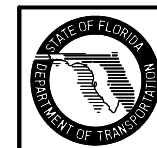


(SHOWING ATTACHMENT OF SIGN FACE PANEL TO VERTICAL HANGER SUPPORTS, VERTICAL I SHAPE HANGER AS SHOWN, Z SHAPE OPTIONAL)

DETAILS OF SIGN FACE & TRUSS CONNECTION

GENERAL NOTES

- (1) For "General Notes" covering Material Specifications see Index 11200.
- (2) Design based on 32 ft. maximum height to centroid of sign panel.
- (3) The Design Wind Speed shall conform to Wind Speed by County shown on Index 11200, Sheet 1 of 3.



2008 FDOT Design Standards

OVERHEAD SIGN STRUCTURES

Last Revision 07/01/07 Sheet No. 1 of 1 Index No. 11300