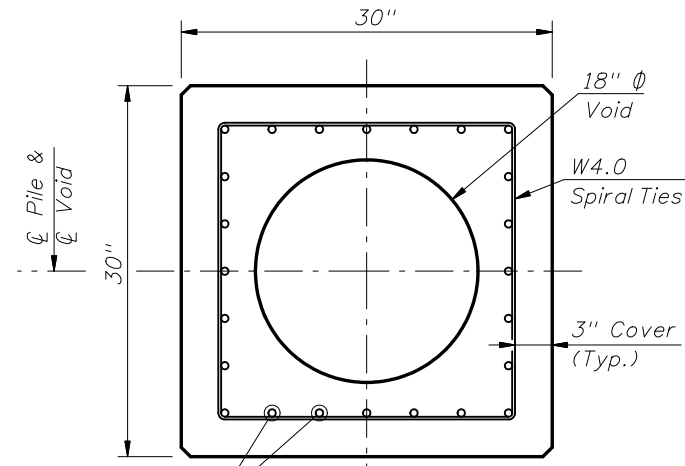
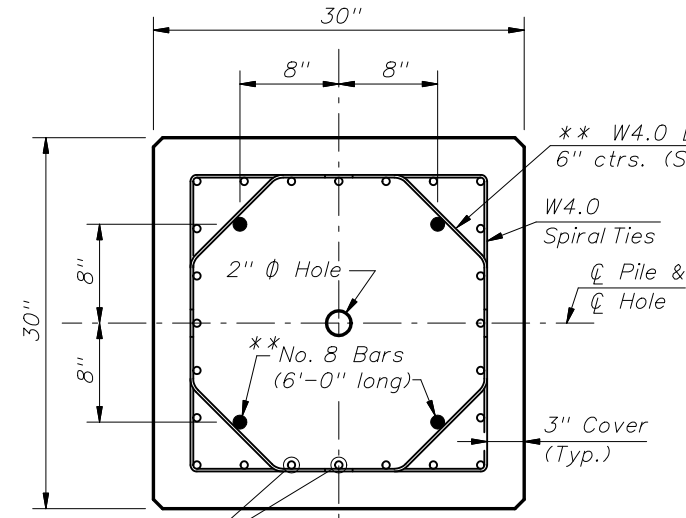


NOTE:
Work this Index with Index No. 20600 - Notes and Details for Square Prestressed Concrete Piles and Index No. 20601 - Square Prestressed Concrete Pile Splices.

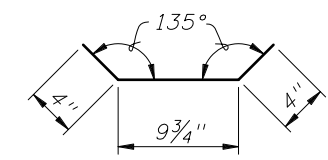
ELEVATION



SECTION B-B
(See Pile Splice Reinforcement Details)



SECTION C-C
(See Pile Splice Reinforcement Details)



W4.0 DIAGONAL TIE DETAIL

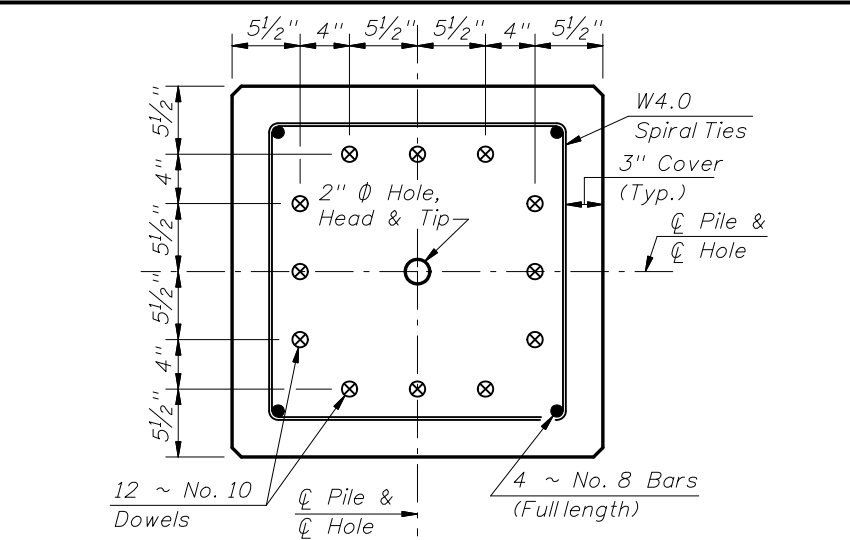
** Omit 4 ~ No. 8 Bars and Diagonal Ties in pre-planned mechanical splice.

ALTERNATE STRAND PATTERNS

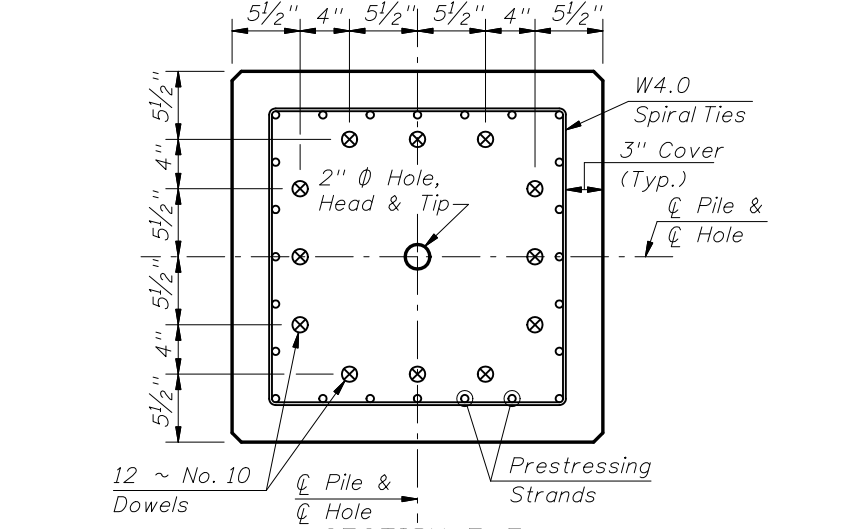
- 20 ~ 9/16" Ø, Grade 270 (Spec) LRS, at 39.7 kips
- 20 ~ 9/16" Ø, Grade 270 LRS, at 39.0 kips
- 20 ~ 0.6" Ø, Grade 270 LRS, at 41 kips
- 24 ~ 1/2" Ø, Grade 270 (Spec) LRS, at 34.0 kips
- 24 ~ 9/16" Ø, Grade 270 SR, at 35 kips
- 24 ~ 9/16" Ø, Grade 270 (Spec) SR, at 35.2 kips
- 28 ~ 1/2" Ø, Grade 270 LRS, at 29.0 kips
- 28 ~ 1/2" Ø, Grade 270 (Spec) SR, at 30.2 kips

NOTES:

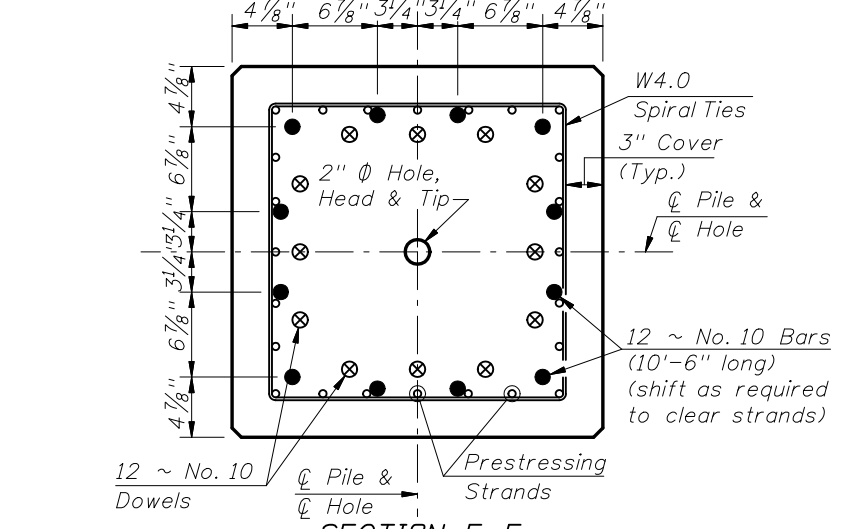
- Venting shall be provided by the use of a 1" Ø PVC conduit through a substructure cap or column. Voids between segments of spliced piles shall be connected by 2" Ø hole(s).
- Any of the given Alternate Strand Patterns may be utilized. The strands shall be located as follows: Place one strand at each corner and place the remaining strands equally spaced between the corner strands. The total strand pattern shall be concentric with the nominal concrete section of the pile.
- CONTRACTOR OPTION: The 30" pile may be cast SOLID by omitting the 18" Ø void, the 2" Ø holes and the 3/4" Ø vent holes. In this event, the Contractor shall submit calculations for approval and a proposed strand configuration that provide net prestressing after losses equal to 1000 psi.



SECTION D-D
(See Non-Drivable Unforesen Reinforced Precast Pile Splice Detail)



SECTION E-E
(See Drivable Prestressed Precast Pile Splice Detail)

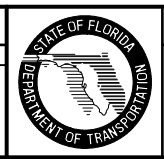


SECTION F-F
(See Drivable Prestressed Precast Pile Splice Detail)

PILE SPLICE DETAILS

REVISIONS

DATE	BY	DESCRIPTION	DATE	BY	DESCRIPTION
01/01/06	CEB	Added dimension "4'-0" Solid Section - Typical for Pile" & "11'-0" Solid Section - Typical for Splice Section" to ELEVATION.	11/07/06	LEJ	Deleted 2" Ø hole in tip solid section. Deleted 3/4" Ø hole in opposite sides of pile. Changed 4'-0" Solid Section to 11'-0" Solid Section & changed Note 1. Added "Head & Tip" to "2" Ø Hole" in PILE SPLICE DETAILS.



2006 Interim Design Standard

30" SQUARE PRESTRESSED CONCRETE PILE

Interim Date: 11/07/06
Sheet No.: 1 of 1
Index No.: 20630