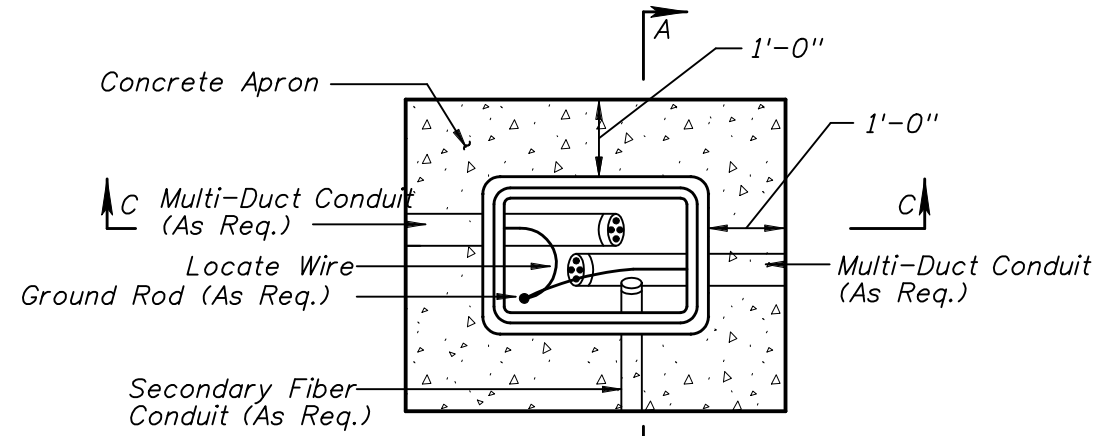
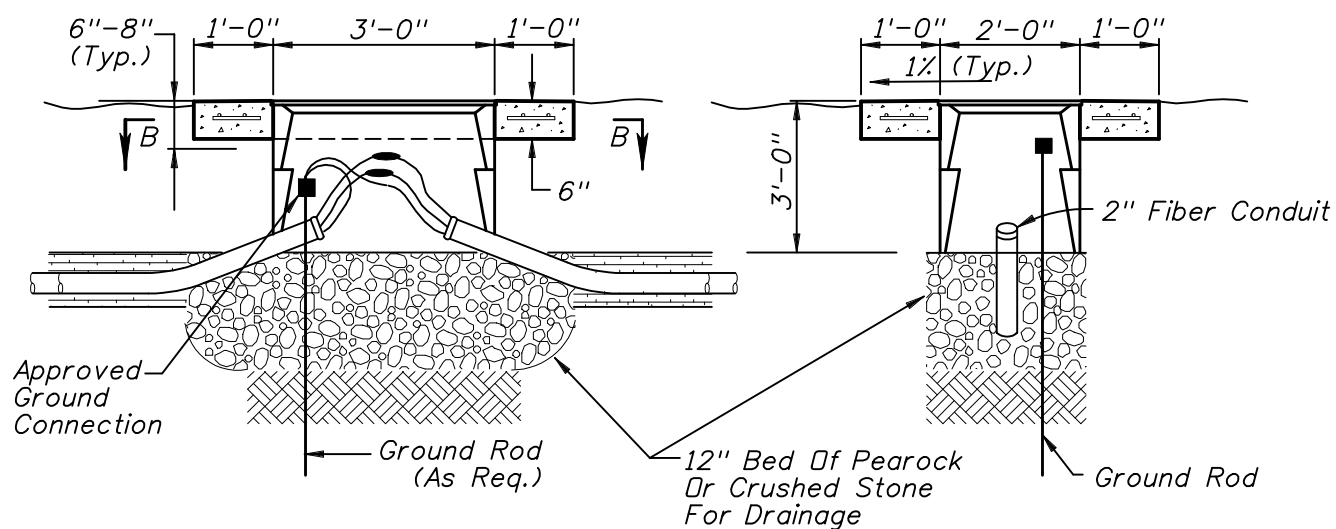


SECTION B-B



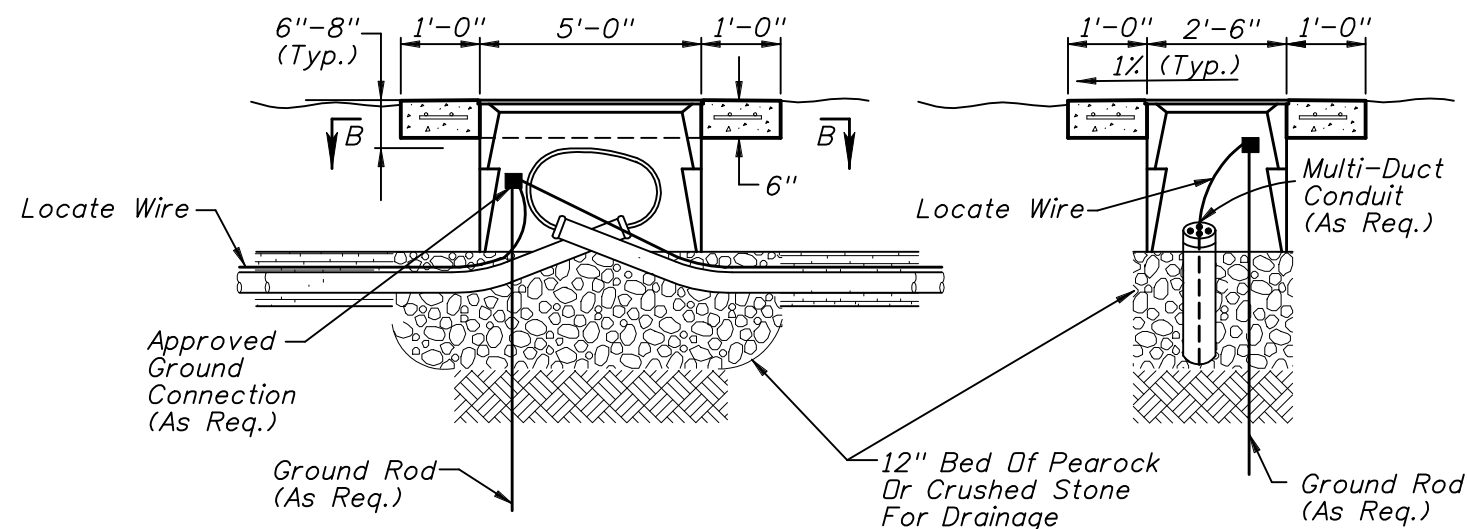
SECTION B-B



SECTION C-C

PULLBOX

SECTION A-A



SECTION C-C

SPLICE BOX

SECTION A-A

GENERAL NOTES:

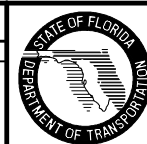
1. Fiber optic box shall not be installed in roadways or driveways.
2. The fiber optic box shall be one of the products included on the qualified products list. The legend "FDDT Fiber Optic Cable" shall be stamped on all covers.
3. Fiber optic boxes shall be installed flush with the finished grade surface.
4. Fiber optic box length (long side) shall be parallel to the roadway.
5. A pull wire shall be installed in the empty conduits for future use.
6. All splice boxes shall be provided with cable hanger racks designed to support cables and splice enclosures. Cost of racks to be included in cost of splice box.

7. Refer to Florida DDT Standard Specifications For Road And Bridge Construction (Latest Revision) Section 783 for splice requirements.
8. Fiber optic boxes shall not contain electrical conduit or conductor. Electrical conduit and conductors shall be installed in separate boxes.
9. Conduit center line shall be aligned to top edge of box to facilitate cable pulling.
10. All fiber optic boxes shall have 1'-0" wide (min.) x 6" deep concrete aprons sloped away from box. Apron is to be included in the cost of each box.
11. Fiber optic box shall meet HS 20 loading criteria.
12. Refer to Florida DDT Standard Specifications For Road And Bridge Construction (Latest Revision) Section 783 for box requirements.
13. All splices shall be properly weatherproofed.

Not To Scale

REVISIONS

Date	By	Description	Date	By	Description
01/01/06	ITS	New Design Standard Index.			



2006 Interim Design Standard

FIBER OPTIC SPLICE BOX AND PULLBOX

Interim Date	Sheet No.
01/01/06	1 of 1
Index No.	
18204	