

**GENERAL NOTES**

1. Details apply to both rural and urban intersections under stop sign control or flashing beacon control. For full signal controlled intersections see Design Note No 4.
2. Sight distance (d) applies to normal and skewed intersections (intersecting angles between 60° and 120°), and where vertical and/or horizontal curves are present. Sight distance (d) is measured along the major roadway from the center of the entrance lane of the minor roadway to the center of the near approach lane (right or left) of the major roadway. Distances  $d_L$  and  $d_R$  are measured from the centerline of the entrance lane of the minor roadway to a point on the edge of the near side outer traffic lane on the major roadway. Distance  $d_m$  is measured from the centerline of the entrance lane of the minor roadway to a point on the median clear zone limit or horizontal clearance limit for the far side roadway of the major roadway.
3. a. The limits of clear sight define a corridor throughout which a clear sight window must be preserved. See WINDOW DETAIL, Sheet 6.  
b. Clear sight must be provided between vehicles at intersection stop locations, and vehicles on the major roadway within dimension 'd'.  
c. Since observations are made in both directions along the line of sight, the reference datum between roadways is 3'-6" above respective pavements.
4. Barrier systems within intersection sight corridors, where penetration into the sight window might occur, shall be located to provide the least adverse affect practical.
5. The corridor defined by the limits of clear sight is a restricted planting area. Drivers of vehicles on the intersecting roadway and vehicles on the major roadway must be able to see each other clearly throughout the limits of 'd' and 'd<sub>a</sub>'. If in the Engineers judgement, landscaping interferes with the line of sight corridor prescribed by these standards the Engineer may rearrange, relocate or eliminate plantings. Plants within the restricted areas are limited to selections as follows:

**Ground Cover & Trunked Plants (Separate or Combined):**

**Ground Covers** - Plant selection of low growing vegetation which at maturity does not attain a height greater than 18" below the sight line datum.  
For ground cover in combination with trees and palms; the following heights below the sight line datum will apply: 24" for trees and palms ≤ 11" dia.; and, 18" for sabal palms > 11" ≤ 18" dia. (dia. -within Sight Window).

**Trunked Plants** - Plant selection of a mature trunk diameter 4" or less measured at 6" above the ground. Canopy or high borne foliage shall never be lower than 5' above the sight line datum. These selections shall be spaced no closer than 20'.

**Trees:**

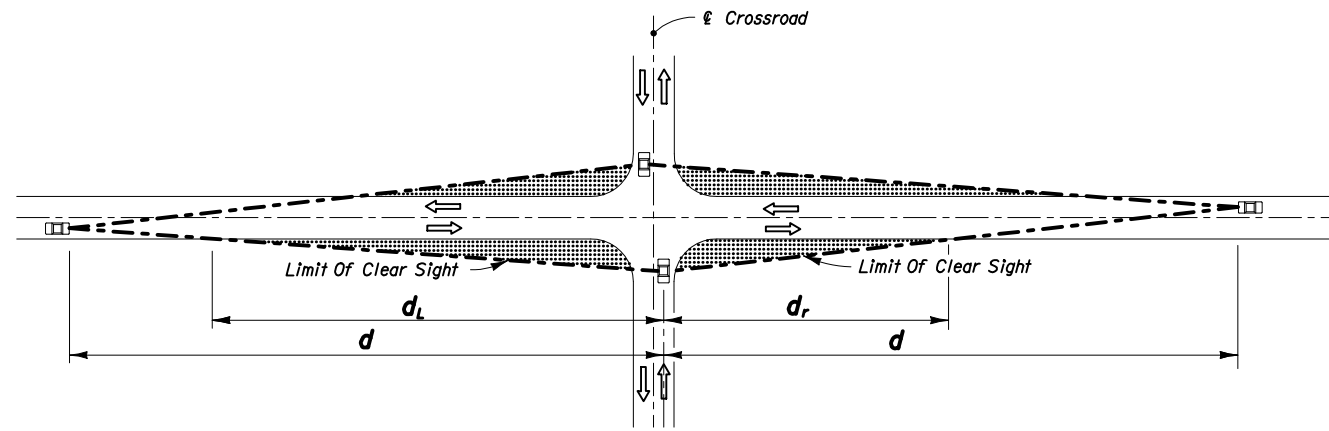
Trees can be used with lawn; pavers; pavement; gravel, bark or wood chip beds; ground covers or other Department approved material. The clear sight window must be in conformance with the 'WINDOW DETAIL' modified to attain the height requirements listed in 'Ground Covers' above. Tree size and spacing shall conform to the following tabular values:

Description	Speed ( mph )													
	30		35		40		45		50		55		60	
	( Inches )													
Diameter ( Within Limits Of Sight Window )	>4≤11	>11≤18	>4≤11	>11≤18	>4≤11	>11≤18	>4≤11	>11≤18	>4≤11	>11≤18	>4≤11	>11≤18	>4≤11	>11≤18
	( Feet )													
Minimum Spacing ( c. to c. Of Trunk )	22	91	27	108	33	126	40	146	45	165	52	173	60	193
<p>Sizes and spacings are based on the following conditions:</p> <p>(a) A single line of trees in the median parallel to but not necessarily colinear with the centerline,</p> <p>(b) A straight approaching mainline, within skew limits as described in No. 2 above.</p> <p>(c) 1. Trees and palms ≤ 11" in diameter casting a vertical 6' wide shadow band on a vehicle entering at stop bar location when viewed by mainline driver beginning at distance 'd'; see SHADOW DIAGRAM, Sheet 6. 2. Sabal palms with diameters &gt; 11" to ≤ 18" spaced at intervals providing a 2 second full view of entering vehicle at stop bar location when viewed by mainline driver beginning at distance 'd'; see PERCEPTION DIAGRAM, Sheet 6.</p> <p>(d) Trees with diameters ≤ 11" intermixed with trees with diameters &gt; 11" ≤ 18" are to be spaced based on trees with diameters &gt; 11" ≤ 18".</p> <p>For any other conditions the tree sizes, spacings and locations shall be detailed in the plans; see Design Note No. 5.</p>														

**DESIGN NOTES**

1. The information shown on this index is intended solely for the purpose of clear sight development and maintenance at intersecting highways, roads and streets, and is not intended to be used to establish roadway and roadside safety except as related to clear sight corridors. An analysis of sight distance shall be documented for all intersections.
2. Details are based on the AASHTO 'A Policy On Geometric Design Of Highways And Streets, 2001', CHAPTER 9, INTERSECTION SIGHT DISTANCE, CASES B and F, and Department practices for channelized median openings (left turns from major roadways).
3. The minimum driver eye setback of 14.5' from the edge of the traveled way may be adjusted on any intersection leg only when justified by a documented, site specific field study of vehicle stopping position and driver eye position.
4. For SIGNALIZED INTERSECTIONS sight distances should be developed based on AASHTO 'Case D - Intersections With Traffic Signal Control'. 'At signalized intersections, the first vehicle stopped on one approach should be visible to the driver of the first vehicle stopped on each of the other approaches. Left-turning vehicles should have sufficient sight distance to select gaps in oncoming traffic and complete left turns. Apart from these sight conditions, there are generally no other approach or departure sight triangles needed for signalized intersections. However, if the traffic signal is to be placed on two-way flashing operation (i.e. flashing yellow on the major-road approaches and flashing red on the minor-road approaches) under off-peak or nighttime conditions, then the appropriate departure sight triangles for Case B, both to the left and to the right, should be provided for the minor-road approaches. In addition, if right turns on a red signal are to be permitted from any approach, then the appropriate departure sight triangle to the left for Case B2 should be provided to accommodate right turns from that approach.'
5. Where curvature, superelevation, adverse split profiles or other conditions preclude the use of standard tree sizes and spacing, proof of view and shadowing restraints must be documented and the size and location of trees in medians detailed in the plans.
6. Intersection sight distance values are provided for Passenger Vehicles, SU Vehicles and Combination Vehicles. Intersection sight distance based on the Passenger Vehicle is suitable for most intersections. Where substantial volumes of heavy vehicles enter the major-road, such as from ramp terminals with stop control or roadways serving truck terminals, the use of tabulated values for SU Vehicles or Combination Vehicles should be considered.





PICTORIAL  
2 LANE UNDIVIDED

Design Speed	d	d <sub>L</sub>	d <sub>r</sub>
30	335	240	150
35	390	275	175
40	445	315	200
45	500	350	225
50	555	390	250
55	610	430	275
60	665	470	300
65	720	510	325

Passenger Vehicle

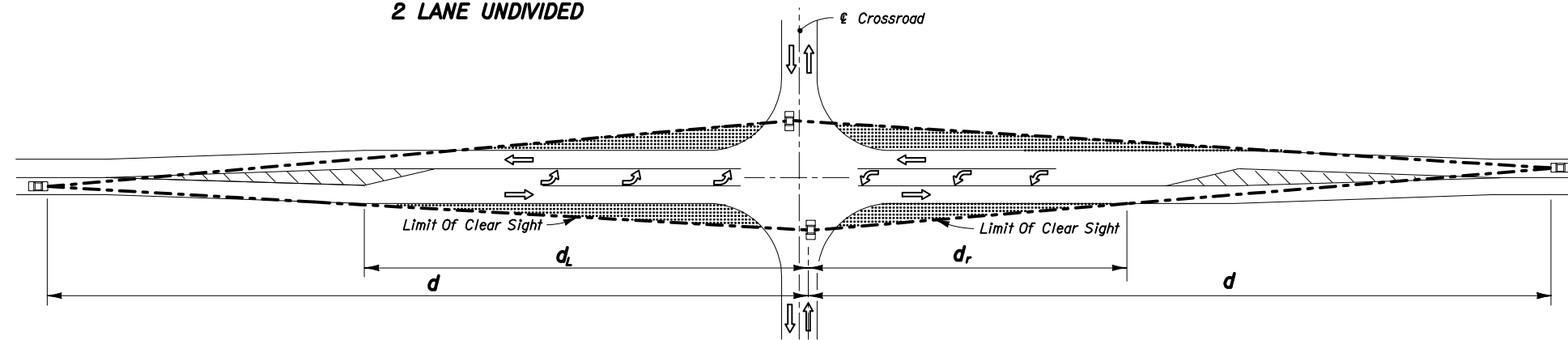
Design Speed	d	d <sub>L</sub>	d <sub>r</sub>
30	420	295	190
35	490	345	220
40	560	395	250
45	630	445	280
50	700	495	310
55	770	545	345
60	840	595	375
65	910	645	405

SU Vehicle

Design Speed	d	d <sub>L</sub>	d <sub>r</sub>
30	510	360	225
35	595	420	265
40	680	480	305
45	765	540	340
50	845	600	375
55	930	660	415
60	1015	720	450
65	1100	780	490

Combination Vehicle

SIGHT DISTANCE (d) AND RELATED DISTANCES (d<sub>L</sub>, d<sub>r</sub>) (FEET)  
2 LANE UNDIVIDED



PICTORIAL  
2 LANE 2 WAY • FLARED FOR OPPOSING LEFT TURN CENTERED ON ALIGNMENT

Design Speed	d	d <sub>L</sub>	d <sub>r</sub>
30	355	195	135
35	415	225	155
40	475	260	180
45	530	290	200
50	590	325	220
55	650	355	245
60	710	390	265
65	765	420	290

Passenger Vehicle

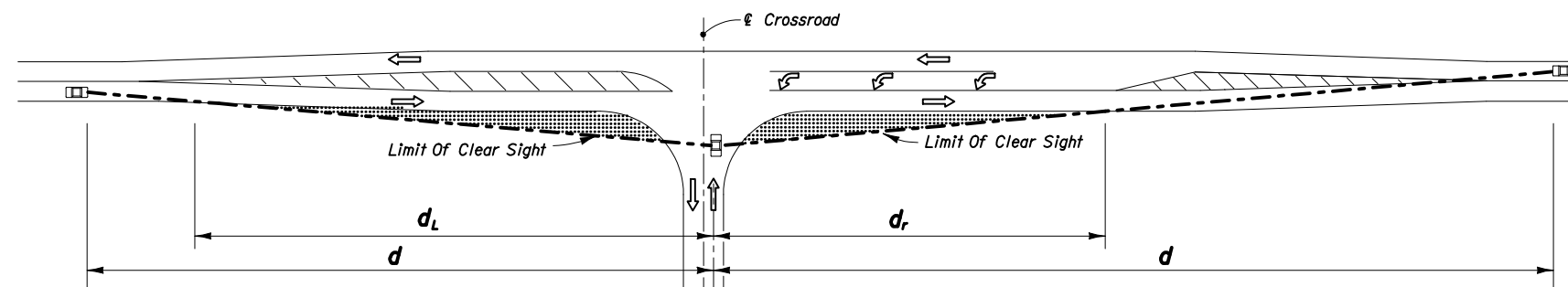
Design Speed	d	d <sub>L</sub>	d <sub>r</sub>
30	450	250	170
35	525	290	200
40	600	330	225
45	675	370	255
50	750	410	285
55	825	450	310
60	900	490	340
65	975	530	370

SU Vehicle

Design Speed	d	d <sub>L</sub>	d <sub>r</sub>
30	540	295	205
35	630	345	240
40	720	395	270
45	810	445	305
50	900	495	340
55	990	540	375
60	1080	590	405
65	1170	640	440

Combination Vehicle

SIGHT DISTANCE (d) AND RELATED DISTANCES (d<sub>L</sub>, d<sub>r</sub>) (FEET)  
2 LANE 2 WAY • FLARED FOR LEFT TURNS



PICTORIAL  
2 LANE 2 WAY • FLARED FOR SINGLE SIDE LEFT TURN CENTERED ON ALIGNMENT

LEGEND

Areas Free Of Sight Obstructions

NOTE: See Sheet 6 for intersecting roadway origin of clear sight and quadrant corner clips.

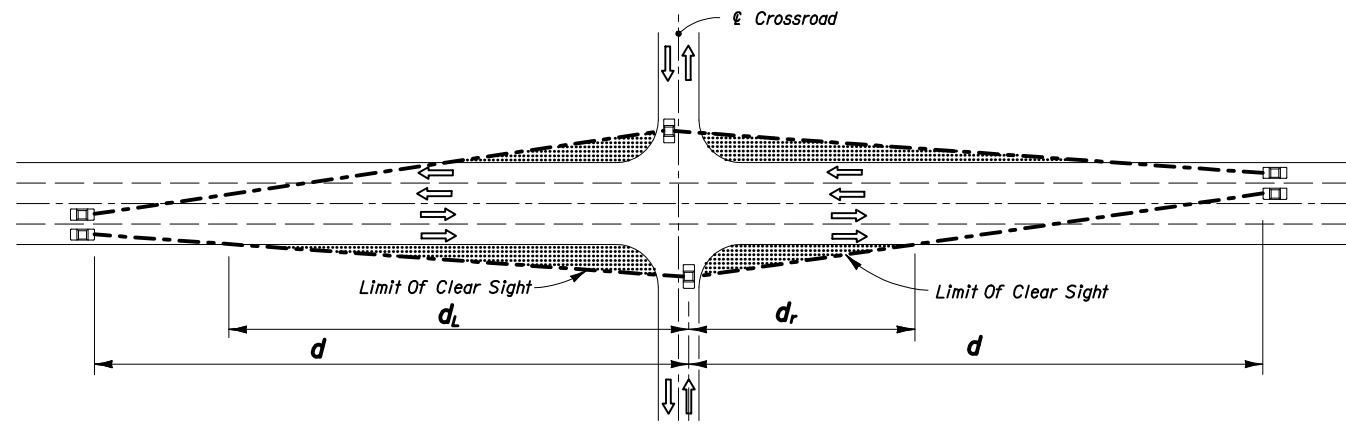


2006 FDOT Design Standards

SIGHT DISTANCE AT INTERSECTIONS

Last Revision 04 Sheet No. 2 of 6

Index No. 546



PICTORIAL  
4 LANE UNDIVIDED

Design Speed	d	d <sub>L</sub>	d <sub>r</sub>
30	355	250	115
35	415	295	135
40	475	335	155
45	530	375	175
50	590	415	195
55	650	460	210
60	705	500	230
65	765	540	250

Passenger Vehicle

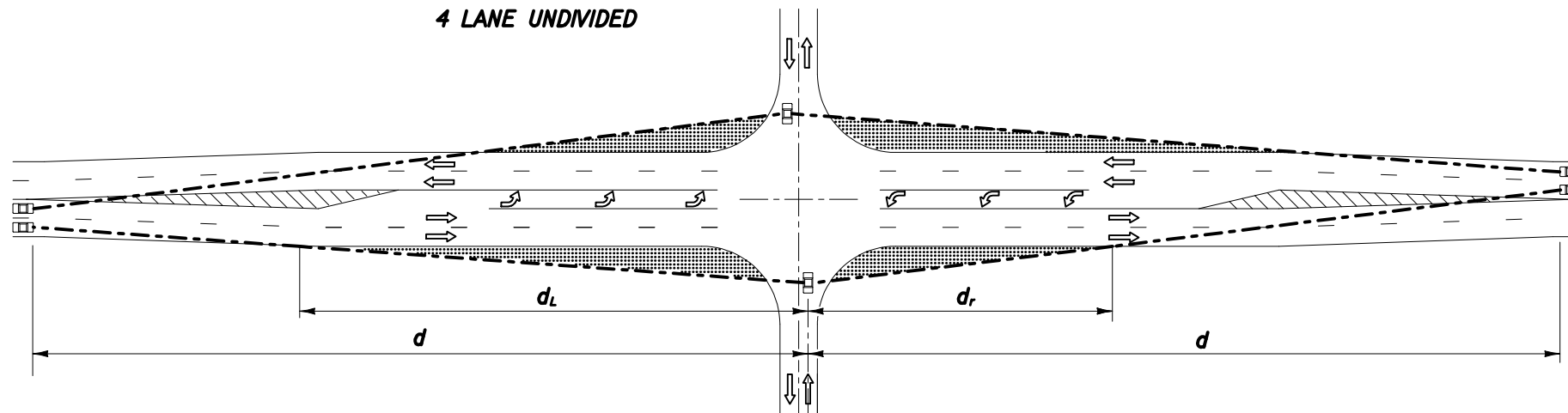
Design Speed	d	d <sub>L</sub>	d <sub>r</sub>
30	450	320	150
35	525	370	170
40	600	425	195
45	675	475	220
50	750	530	245
55	825	585	270
60	900	635	295
65	975	690	320

SU Vehicle

Design Speed	d	d <sub>L</sub>	d <sub>r</sub>
30	540	380	175
35	630	445	205
40	720	510	235
45	810	570	265
50	900	635	295
55	990	700	320
60	1080	765	350
65	1170	825	380

Combination Vehicle

SIGHT DISTANCE (d) AND RELATED DISTANCES (d<sub>L</sub>, d<sub>r</sub>) (FEET)  
4 LANE UNDIVIDED



PICTORIAL  
4 LANE UNDIVIDED FLARED - SYMMETRICAL

Design Speed	d	d <sub>L</sub>	d <sub>r</sub>
30	375	205	120
35	440	240	145
40	500	275	165
45	565	310	185
50	625	340	205
55	690	375	225
60	750	410	245
65	815	445	265

Passenger Vehicle

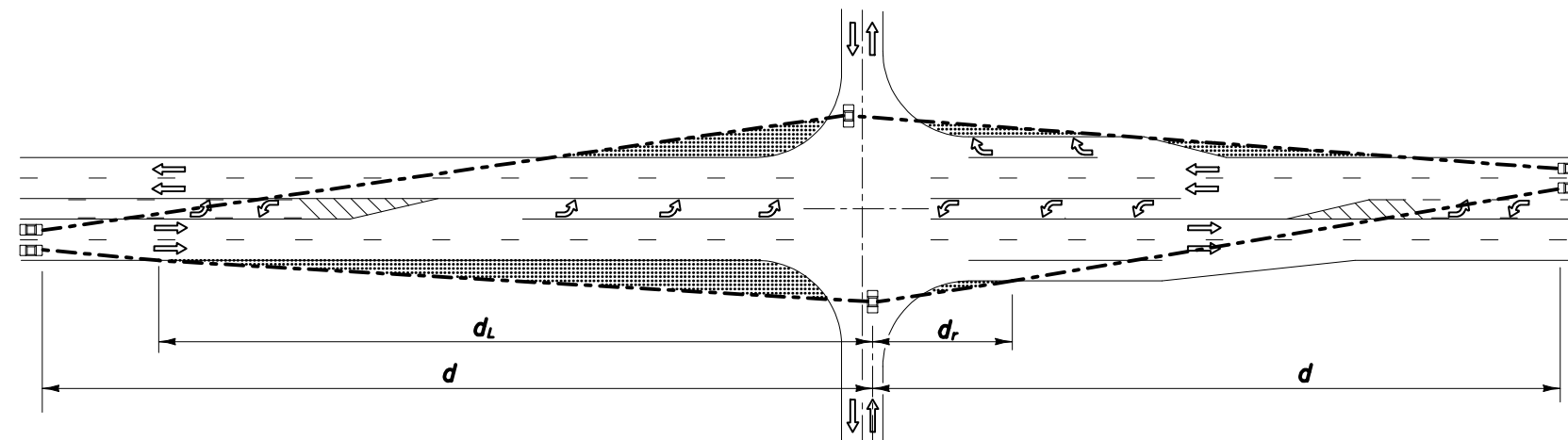
Design Speed	d	d <sub>L</sub>	d <sub>r</sub>
30	480	220	155
35	560	255	180
40	640	290	210
45	720	330	235
50	800	365	260
55	880	400	285
60	960	440	310
65	1040	480	340

SU Vehicle

Design Speed	d	d <sub>L</sub>	d <sub>r</sub>
30	570	310	185
35	665	365	215
40	760	415	250
45	855	470	280
50	950	520	310
55	1045	570	340
60	1140	625	370
65	1235	675	400

Combination Vehicle

SIGHT DISTANCE (d) AND RELATED DISTANCES (d<sub>L</sub>, d<sub>r</sub>) (FEET)  
4 LANE UNDIVIDED FLARED - SYMMETRICAL



PICTORIAL  
4 LANE UNDIVIDED WITH OPTIONAL LANE

Design Speed	d	d <sub>L</sub>	d <sub>r</sub>
30	375	265	95
35	440	310	115
40	500	355	130
45	565	400	145
50	625	440	160
55	690	490	172
60	750	530	195
65	815	575	210

Passenger Vehicle

Design Speed	d	d <sub>L</sub>	d <sub>r</sub>
30	480	340	125
35	560	395	145
40	640	450	165
45	720	510	185
50	800	565	205
55	880	620	225
60	960	680	245
65	1040	735	265

SU Vehicle

Design Speed	d	d <sub>L</sub>	d <sub>r</sub>
30	570	405	145
35	665	470	170
40	760	540	195
45	855	605	220
50	950	670	245
55	1045	740	270
60	1140	805	295
65	1235	875	320

Combination Vehicle

SIGHT DISTANCE (d) AND RELATED DISTANCES (d<sub>L</sub>, d<sub>r</sub>) (FEET)  
4 LANE UNDIVIDED WITH OPTIONAL LANE

LEGEND

Areas Free Of Sight Obstructions

NOTE: See Sheet 6 for intersecting roadway origin of clear sight and quadrant corner clips.



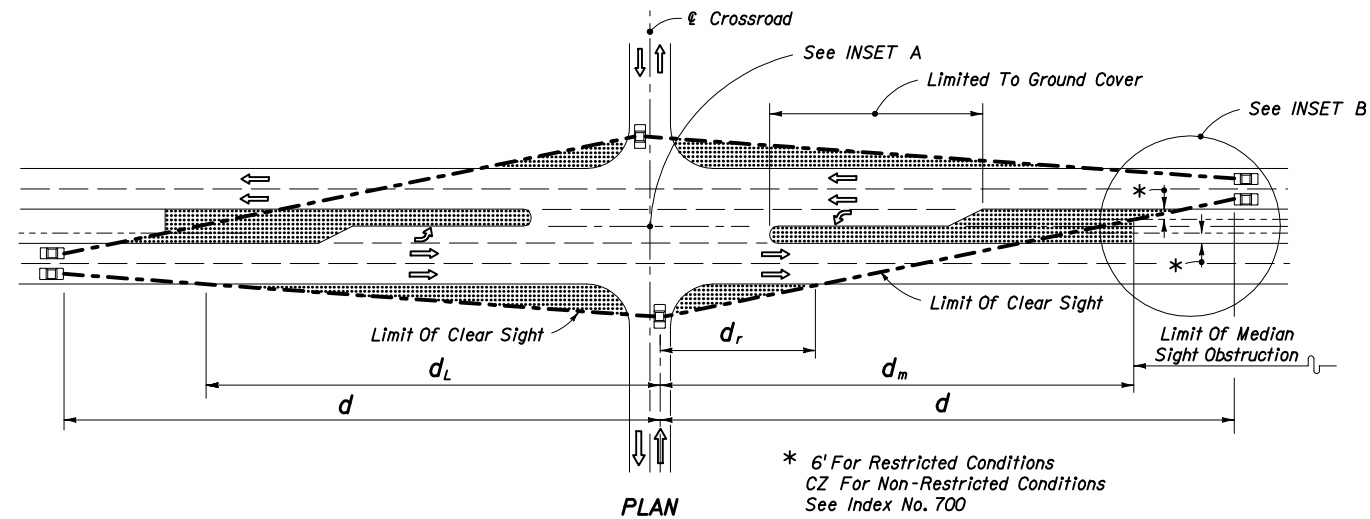
2006 FDOT Design Standards

SIGHT DISTANCE AT INTERSECTIONS

Last Revision  
04

Sheet No.  
3 of 6

Index No.  
546



MEDIAN 22' OR LESS				
Design Speed	d	d <sub>L</sub>	d <sub>R</sub>	d <sub>M</sub>
30	390	280	90	320
35	460	330	100	380
40	520	370	110	430
45	590	420	130	480
50	650	460	140	530
55	720	510	160	590
60	780	550	170	640
65	850	600	190	700

25'-64' MEDIAN				
Design Speed	d	d <sub>L</sub>	d <sub>R</sub>	d <sub>VL</sub>
30	290	210	330	230
35	330	230	390	280
40	380	270	440	310
45	430	300	500	350
50	480	340	550	390
55	530	370	610	430
60	570	400	660	470
65	620	440	720	510

PASSENGER VEHICLE (P)

MEDIAN 35' OR LESS				
Design Speed	d	d <sub>L</sub>	d <sub>R</sub>	d <sub>M</sub>
30	540	380	100	460
35	630	450	110	530
40	720	510	130	610
45	810	570	150	690
50	900	640	160	760
55	990	700	180	840
60	1080	760	200	920
65	1170	830	210	990

40'-64' MEDIAN				
Design Speed	d	d <sub>L</sub>	d <sub>R</sub>	d <sub>VL</sub>
30	370	260	420	300
35	440	310	490	350
40	500	350	560	400
45	560	400	630	450
50	620	440	700	500
55	690	490	770	540
60	750	530	840	590
65	810	570	910	640

SINGLE-UNIT TRUCK (SU)

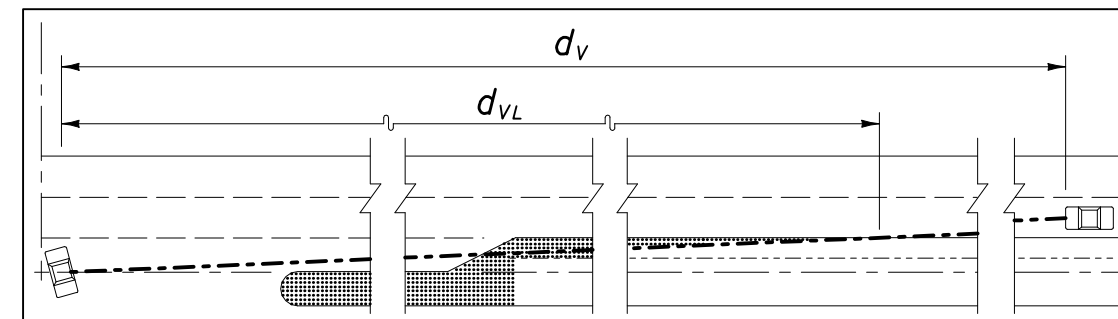
MEDIAN 30' OR LESS				
Design Speed	d	d <sub>L</sub>	d <sub>R</sub>	d <sub>M</sub>
30	620	440	120	520
35	720	510	140	600
40	820	580	160	690
45	930	660	180	780
50	1030	730	200	860
55	1130	800	220	950
60	1240	880	240	1040
65	1340	950	260	1120

35'-50' MEDIAN				
Design Speed	d	d <sub>L</sub>	d <sub>R</sub>	d <sub>M</sub>
30	670	470	100	580
35	780	550	120	680
40	890	630	140	780
45	1000	710	150	870
50	1110	790	170	970
55	1220	860	190	1070
60	1330	940	200	1160
65	1440	1020	220	1260

INTERMEDIATE SEMI-TRAILERS (WB-40 & WB-50)

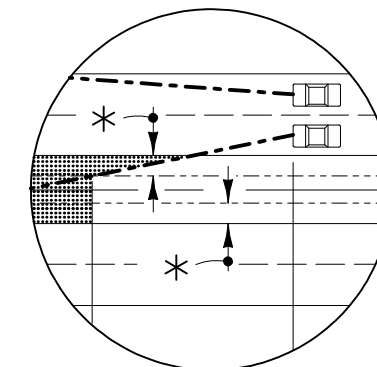
64' MEDIAN				
Design Speed	d	d <sub>L</sub>	d <sub>R</sub>	d <sub>VL</sub>
30	460	330	510	360
35	540	380	590	420
40	620	440	680	480
45	690	490	760	540
50	770	540	850	600
55	850	600	930	660
60	920	650	1020	720
65	1000	710	1100	780

Vehicle Type	Vehicle Length (Ft.)
Passenger (P)	19
Single Unit (SU)	30
Large School Bus	40
WB-40	45.5
WB-50	55



Where The Median Is Sufficiently Wide For The Design Vehicle To Pause In The Median (Vehicle Length Plus 6' Min.) The Clear Line Of Sight To The Right (d<sub>V</sub>) Is Measured From The Vehicle Pause Location, i.e. Not From The Cross Road Stop Position; Distances d<sub>R</sub> & d<sub>M</sub> Do Not Apply.

INSET A



INSET B

NOTES FOR 4-LANE DIVIDED ROADWAY

- See Sheet 6 for origin of clear sight line on the minor road.
- Values shown in the tables are the governing (controlling) sight distances calculated based on 'AASHTO Case B - Intersection with Stop Control on the Minor Road.'

SIGHT DISTANCES (d) & (d<sub>V</sub>) AND RELATED DISTANCES (d<sub>L</sub>, d<sub>R</sub>, d<sub>M</sub> & d<sub>VL</sub>) (FEET)

4 LANE DIVIDED ROADWAY



2006 FDOT Design Standards

SIGHT DISTANCE AT INTERSECTIONS

Last Revision	Sheet No.
04	4 of 6
Index No.	
546	

MEDIAN 22' OR LESS				
Design Speed	$d_x$	$d_L$	$d_r$	$d_m$
30	410	290	80	350
35	480	340	90	410
40	550	390	100	470
45	620	440	110	530
50	690	490	130	580
55	760	540	140	640
60	830	590	150	700
65	900	640	170	760

PASSENGER VEHICLE (P)

25'-64' MEDIAN				
Design Speed	$d$	$d_L$	$d_v$	$d_{vL}$
30	310	220	330	230
35	360	250	390	280
40	410	290	440	310
45	460	330	500	350
50	510	360	550	390
55	570	400	610	430
60	620	440	660	470
65	670	470	720	510

MEDIAN 35' OR LESS				
Design Speed	$d_x$	$d_L$	$d_r$	$d_m$
30	590	420	90	510
35	690	490	110	600
40	780	550	120	680
45	880	620	140	760
50	980	690	160	850
55	1080	760	170	940
60	1170	830	190	1020
65	1270	900	200	1100

SINGLE-UNIT TRUCK (SU)

40'-64' MEDIAN				
Design Speed	$d$	$d_L$	$d_v$	$d_{vL}$
30	410	290	420	300
35	470	330	490	350
40	540	380	560	400
45	610	430	630	450
50	680	480	700	500
55	740	520	770	540
60	810	570	840	590
65	880	620	910	640

MEDIAN 30' OR LESS				
Design Speed	$d_x$	$d_L$	$d_r$	$d_m$
30	670	470	110	580
35	780	550	130	670
40	890	630	150	770
45	1000	710	170	860
50	1110	790	190	960
55	1220	860	200	1050
60	1330	940	220	1150
65	1440	1020	240	1240

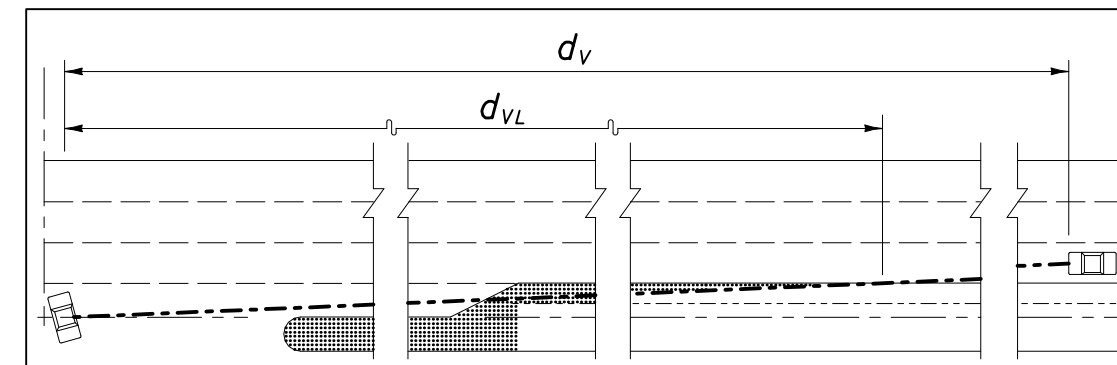
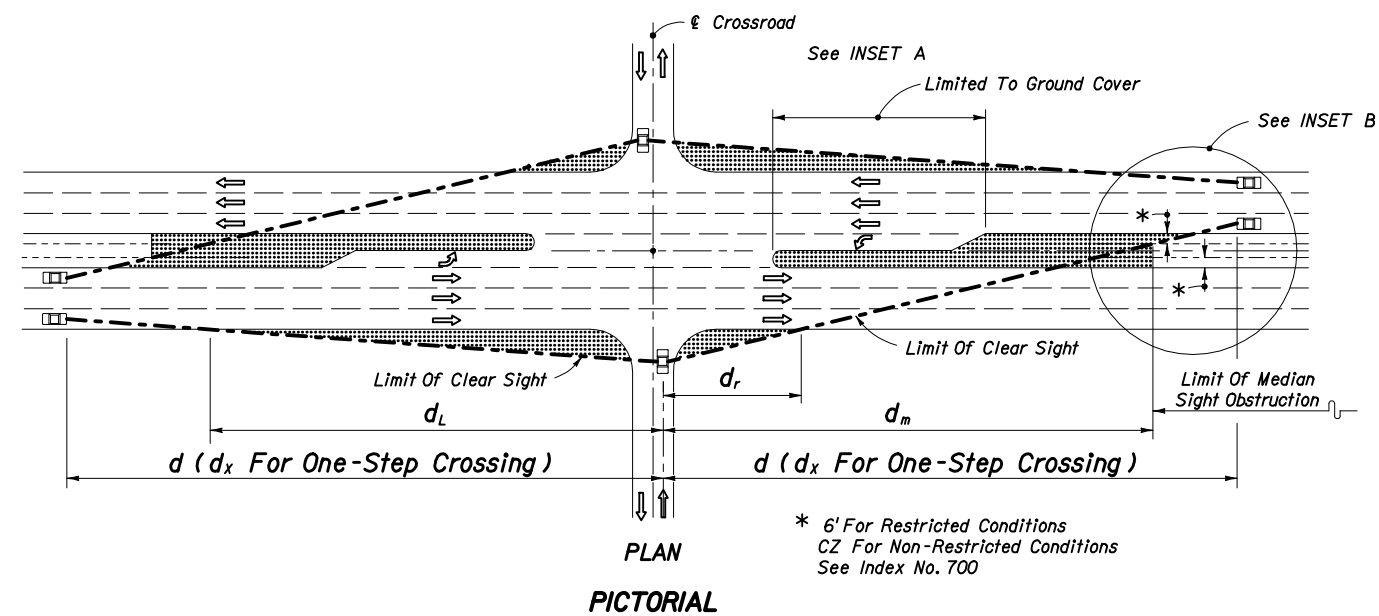
INTERMEDIATE SEMI-TRAILERS (WB-40 & WB-50)

35'-50' MEDIAN				
Design Speed	$d_x$	$d_L$	$d_r$	$d_m$
30	720	510	100	640
35	830	590	110	740
40	950	670	130	840
45	1070	760	150	950
50	1190	840	160	1060
55	1310	930	180	1160
60	1430	1010	190	1270
65	1550	1100	210	1380

64' MEDIAN				
Design Speed	$d$	$d_L$	$d_v$	$d_{vL}$
30	490	350	510	360
35	580	410	590	420
40	660	470	680	480
45	740	520	760	540
50	820	580	850	600
55	910	640	930	660
60	990	700	1020	720
65	1070	760	1100	780

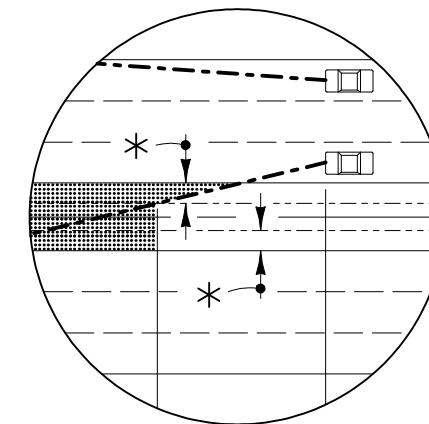
SIGHT DISTANCES ( $d$ ), ( $d_v$ ) & ( $d_x$ ) AND RELATED DISTANCES ( $d_L$ ,  $d_r$ ,  $d_m$  &  $d_{vL}$ ) (FEET)

## 6 LANE DIVIDED



Where The Median Is Sufficiently Wide For The Design Vehicle To Pause In The Median (Vehicle Length Plus 6' Min.) The Clear Line Of Sight To The Right ( $d_v$ ) Is Measured From The Vehicle Pause Location, i.e. Not From The Cross Road Stop Position; Distances  $d_r$  &  $d_m$  Do Not Apply.

INSET A



INSET B

### NOTES FOR 4-LANE DIVIDED ROADWAY

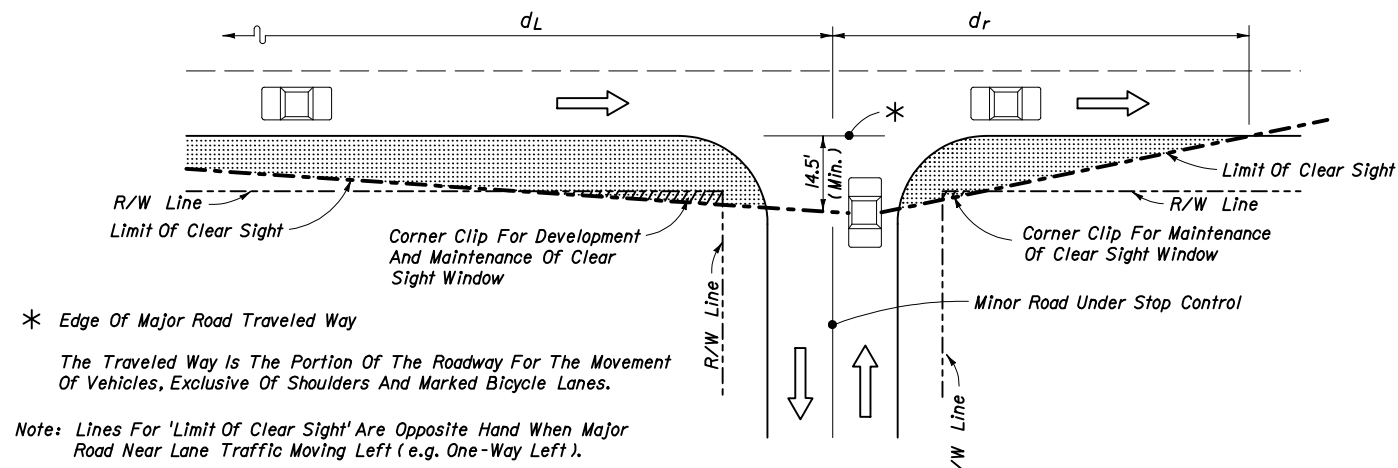
1. See Sheet 6 for origin of clear sight line on the minor road.
2. Values shown in the tables are the governing (controlling) sight distances calculated based on 'AASHTO Case B - Intersection with Stop Control on the Minor Road.'



2006 FDOT Design Standards

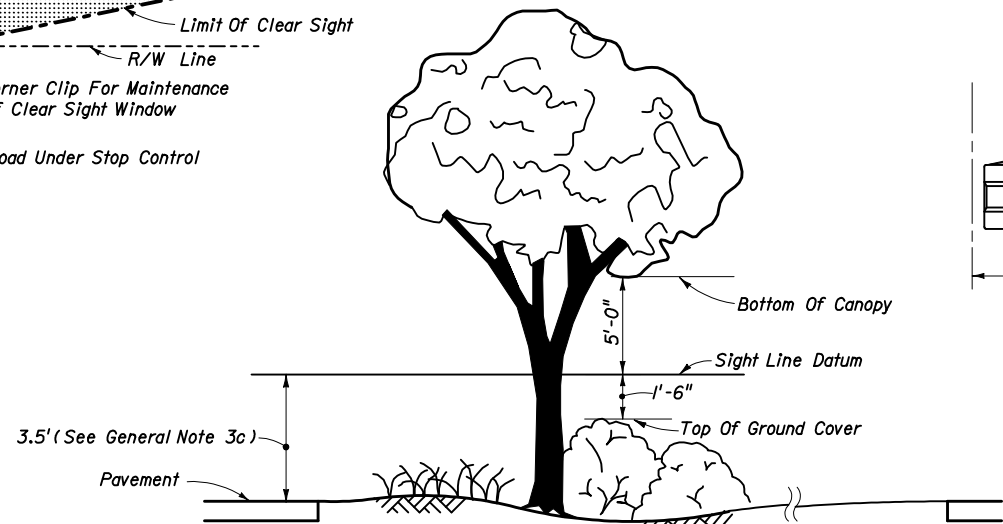
## SIGHT DISTANCE AT INTERSECTIONS

Last Revision 04  
Sheet No. 5 of 6  
Index No. 546



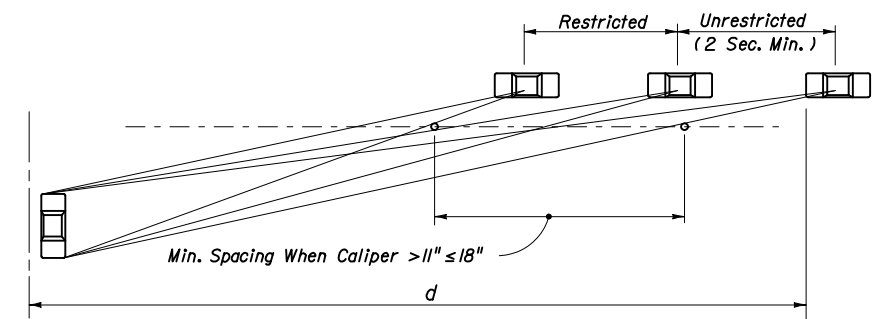
\* Edge Of Major Road Traveled Way  
 The Traveled Way Is The Portion Of The Roadway For The Movement Of Vehicles, Exclusive Of Shoulders And Marked Bicycle Lanes.  
 Note: Lines For 'Limit Of Clear Sight' Are Opposite Hand When Major Road Near Lane Traffic Moving Left (e.g. One-Way Left).

PICTORIAL  
 ORIGIN OF CLEAR SIGHT LINE  
 ON MINOR ROAD

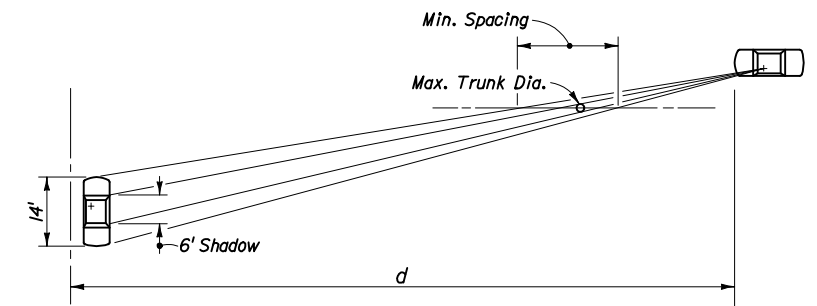


The Intent Of This Standard Is To Provide A Window With Vertical Limits Of Not Less Than 5' Above And 1'-6" Below The Sight Line Datum, And Horizontal Limits Defined By The Limits Of Clear Sight.

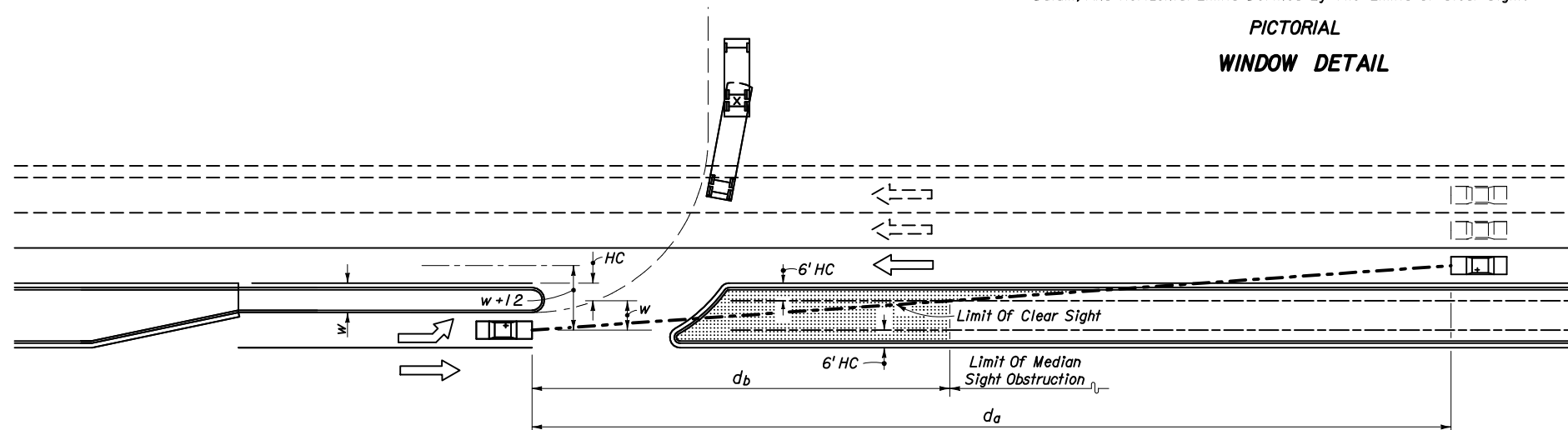
PICTORIAL  
 WINDOW DETAIL



PERCEPTION DIAGRAM  
 SETTING SABAL PALM (STATE TREE) SPACING



SHADOW DIAGRAM



PICTORIAL

Design Speed MPH	da (Feet)								
	1 Lane Crossed			2 Lanes Crossed			3 Lanes Crossed		
	P	SU	Comb.	P	SU	Comb.	P	SU	Comb.
30	245	285	330	265	320	360	285	350	390
35	285	335	385	310	370	420	335	405	460
40	325	380	440	355	425	480	380	465	525
45	365	430	495	395	475	540	430	520	590

☆ See Note.

☆ The da values in this table were established by the method referenced in Design Note 2, and are applicable to urban, predominantly curbed roadways with design speeds of 45 mph or less and meeting the restricted conditions defined in Index No. 700. For horizontal clearance (HC) of six feet (6'), the values for db may be determined by the equation db = da (w/w+12). For roadways with non-restricted conditions, da and db should be based on the geometry for the left turn storage and on clear zone widths (See Index No. 700).

**LEGEND**  
 Areas Free Of Sight Obstructions

CHANNELIZED DIRECTIONAL MEDIAN OPENINGS

