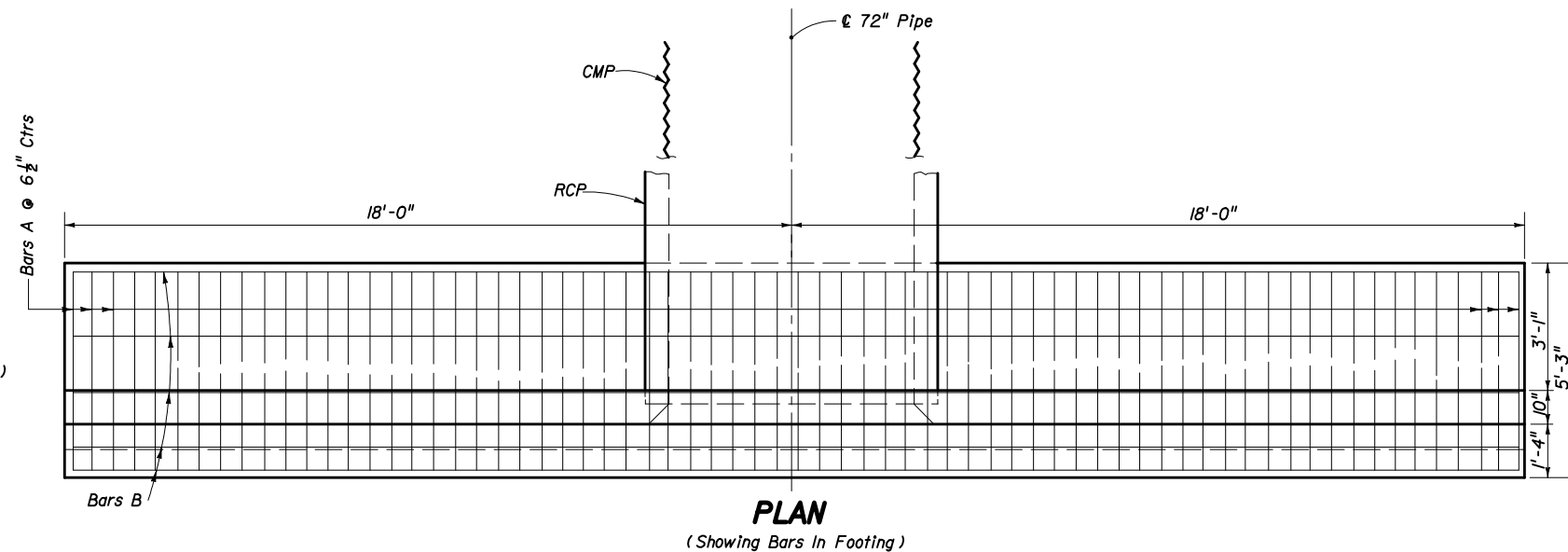


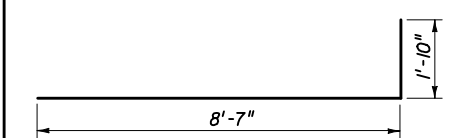
SECTION BB



PLAN
(Showing Bars In Footing)

BILL OF REINFORCING STEEL					
MARK	SIZE	NO. REQ'D	LENGTH	LOCATION	BENDING
A	5	68	4'-11"	Footing	Straight
B	4	17	35'-8"	Footing & Wall	Straight
C	5	34	10'-5"	Wall	Bend
D	4	20	8'-7"	Wall	Straight
E	4	4	2'-6"	Wall	Straight
F	4	4	1'-6"	Wall	Straight

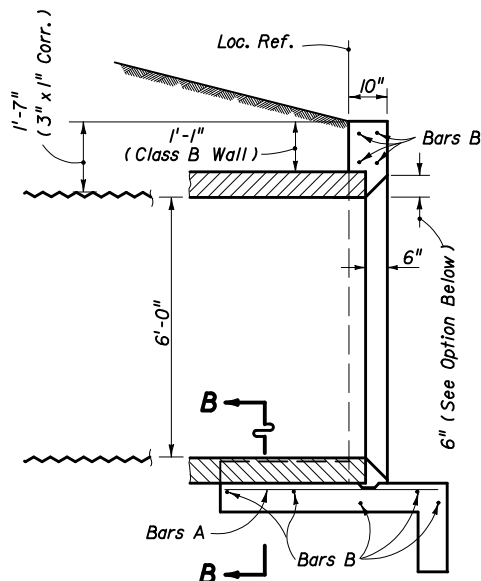
BENDING DIAGRAM



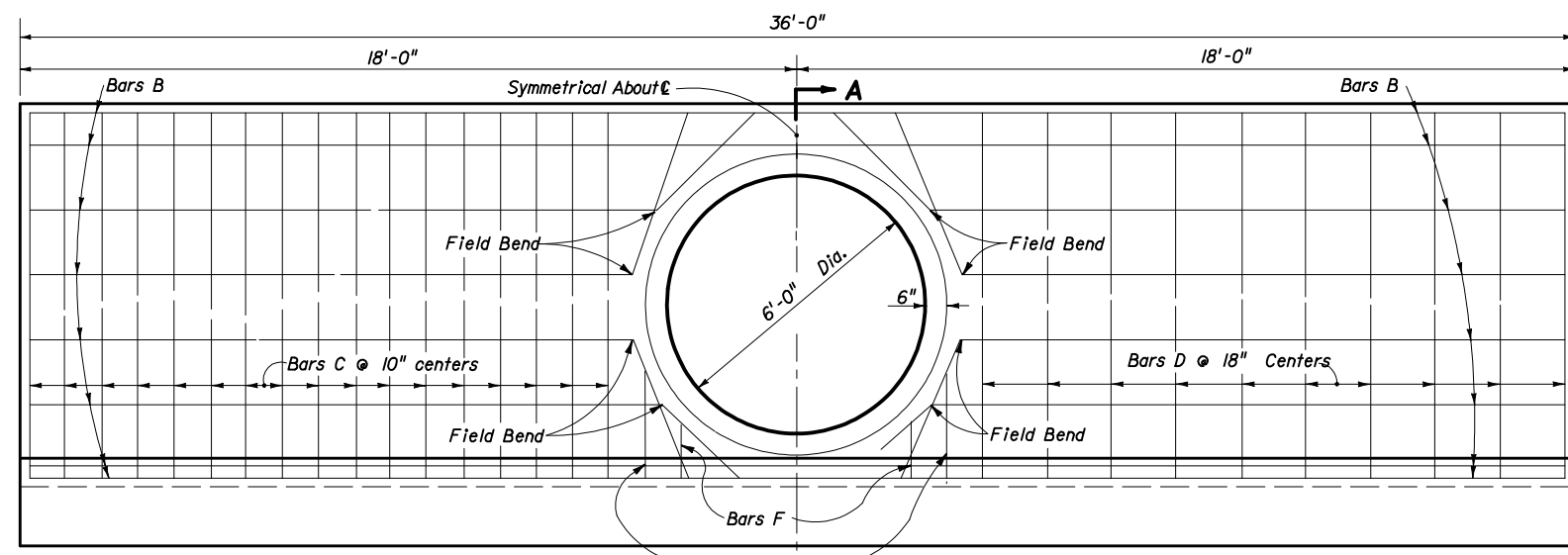
BAR C
NOTE: All bar dimensions are out to out

ESTIMATED QUANTITIES

ITEM	UNIT	RCP	CMP
Class II Concrete	Cu. Yd.	14.4	14.5
Reinforcing Steel	Lb.	1249	1249



SECTION AA



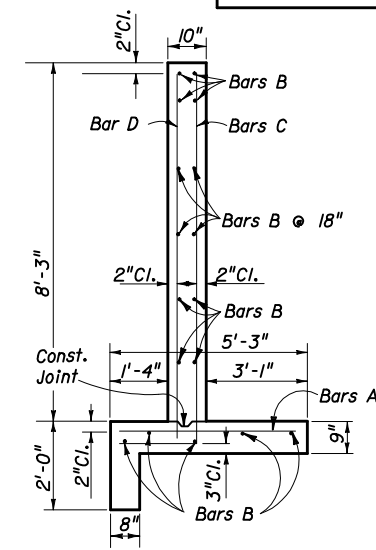
HALF ELEVATION

(Showing Bars In Back Face Of Wall)

NOTE: Cut and field bend Bars B as shown

HALF ELEVATION

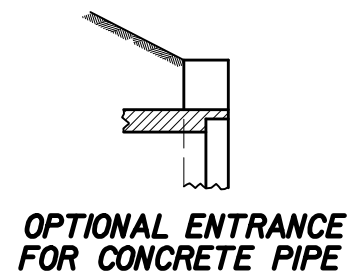
(Showing Bars In Front Face Of Wall)



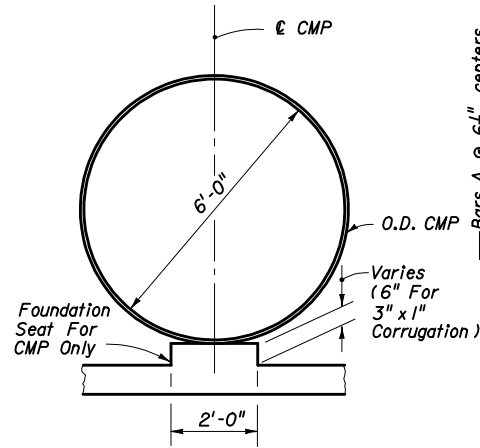
TYPICAL SECTION THRU ENDWALL

GENERAL NOTES

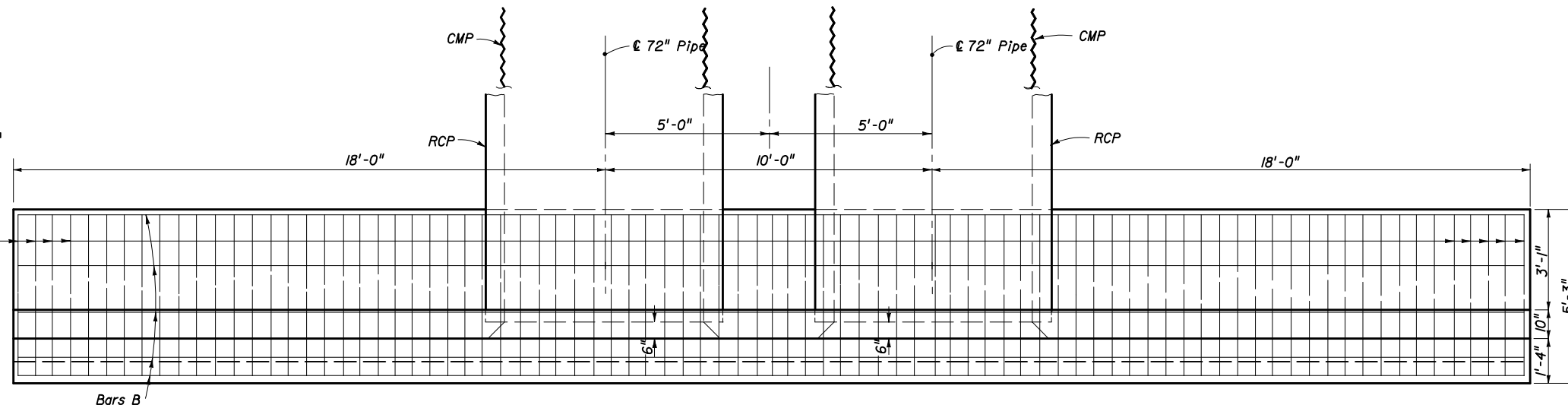
1. Straight concrete endwalls are intended for use outside the clear zone.
2. Endwalls may be cast-in-place or precast construction. Cast-in-place endwalls shall conform to the details on this index, design specifications AASHTO 1989. Precast construction which adheres to this index, including any additional reinforcement required for handling which shall be determined by the Contractor or supplier, does not require additional approvals. Deviations from this index, for precast units, shall require the approval of the State Drainage Engineer prior to construction. For precast construction, see Index No. 201 for opening and grouting details.
3. Reinforcing steel shall be either Grade 40 or 60.
4. Concrete shall be Class II except concrete meeting the requirements of ASTM C 478 (4000 PSI) may be used in lieu of Class II concrete in precast units manufactured in plants which are under the Standard Operating Procedures for the inspection of precast drainage products.
5. Chamfer: All exposed edges and corners to be chamfered $\frac{3}{4}$ " unless otherwise shown.
6. That portion of corrugated Metal pipe in direct contact with the concrete slab and extending 12" beyond shall be a continuous coating of .004" minimum thickness coated prior to placing of the concrete.
7. Sodding shall be in accordance with Index No. 281 and paid for under the contract unit price for Sodding, SY.
8. Basis of payment for either cast-in-place or precast construction shall be the estimated quantities tabulated on the Index. Concrete and reinforcing steel shall be paid for under the contract unit prices for Class II Concrete (Endwalls), CY and Reinforcing Steel (Roadway), LB.



OPTIONAL ENTRANCE FOR CONCRETE PIPE

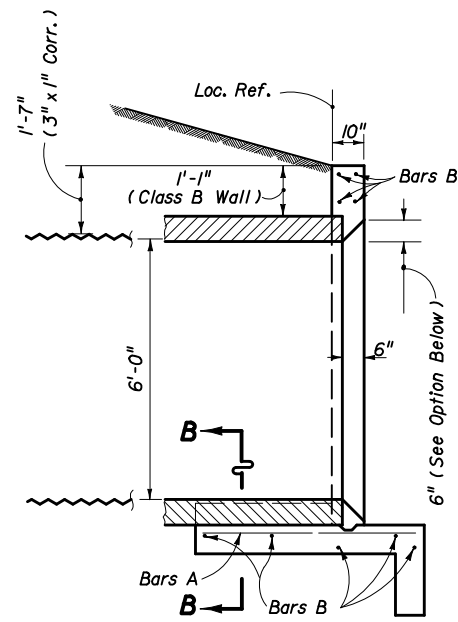


SECTION BB

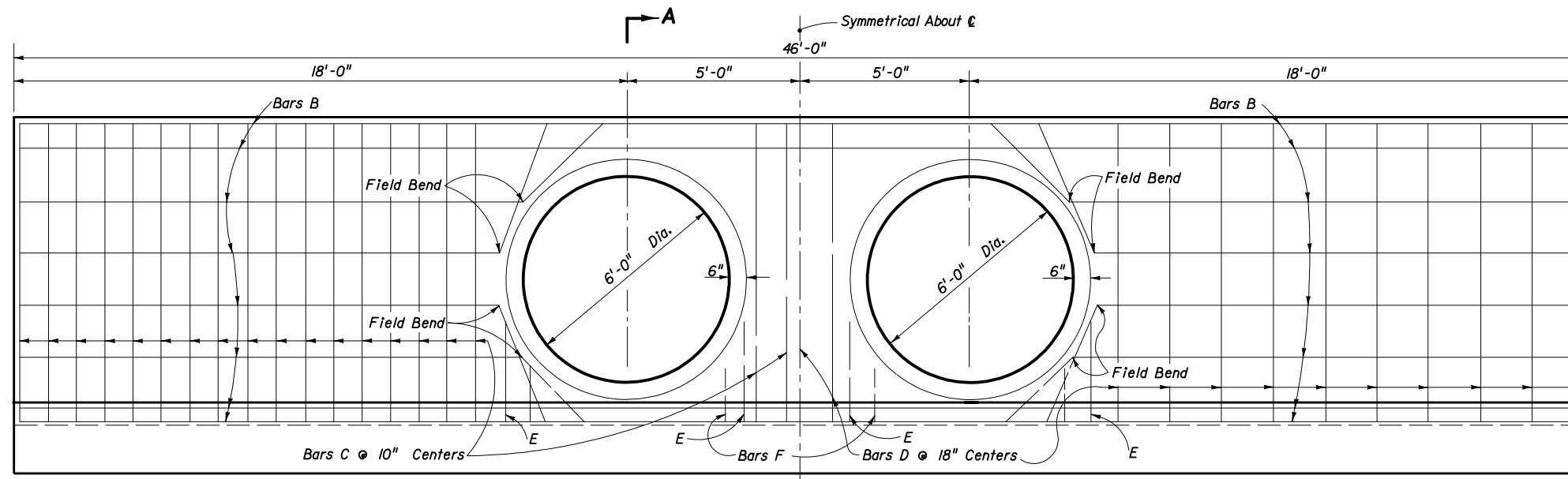


PLAN

(Showing Bars In Footing)



SECTION AA

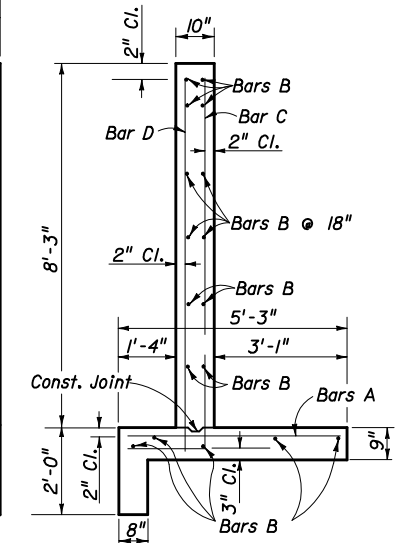


HALF ELEVATION

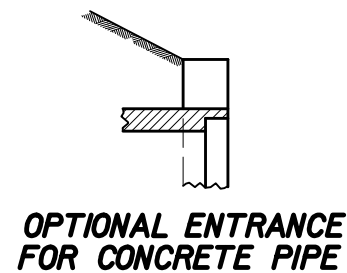
(Showing Bars In Back Face Of Wall)

HALF ELEVATION

(Showing Bars In Front Face Of Wall)



TYPICAL SECTION THRU ENDWALL



OPTIONAL ENTRANCE FOR CONCRETE PIPE

BILL OF REINFORCING STEEL						BENDING DIAGRAM		ESTIMATED QUANTITIES			
MARK	SIZE	NO. REQ'D	LENGTH	LOCATION	BENDING			ITEM	UNIT	RCP	CMP
A	5	85	4'-11"	Footing	Straight			Concrete Class II	Cu. Yd.	17.5	17.8
B	4	17	45'-8"	Footing & Wall	Straight			Reinforcing Steel	Lb.	1519	1519
C	5	38	10'-5"	Wall	Bend						
D	4	23	8'-7"	Wall	Straight						
E	4	8	2'-6"	Wall	Straight						
F	4	8	1'-6"	Wall	Straight						

NOTE: All bar dimensions are out to out

NOTE: See Sheet 1 of 2 for General Notes.



2006 FDOT Design Standards

**STRAIGHT CONCRETE ENDWALLS
SINGLE AND DOUBLE 72" PIPE**

Last Revision 00
Sheet No. 2 of 2
Index No. 253