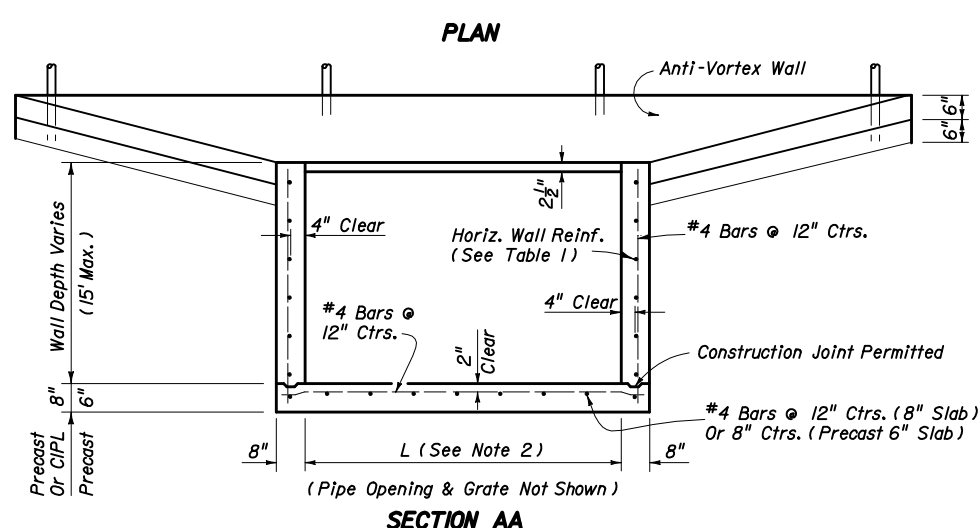
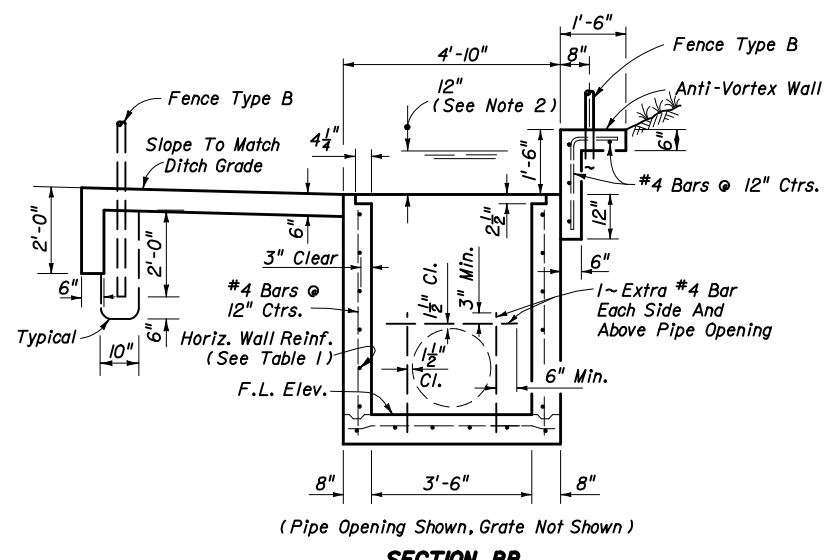


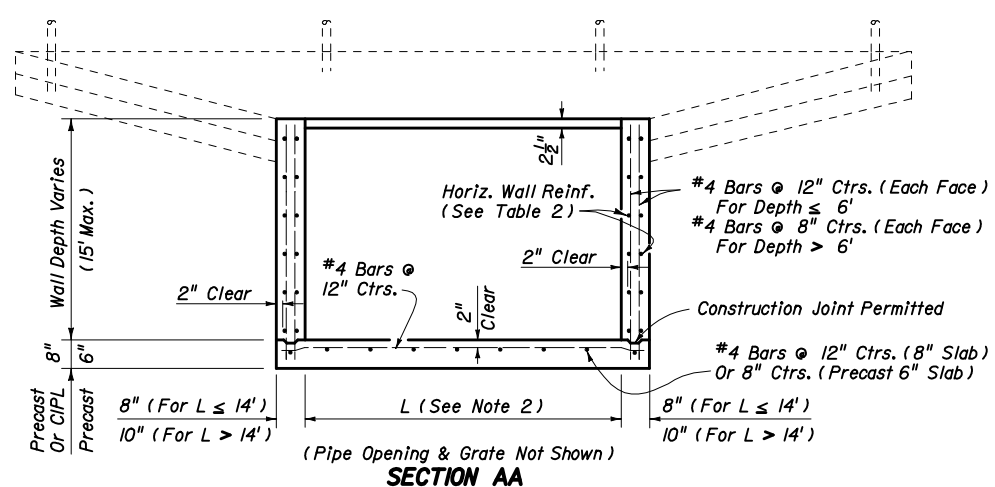
ISOMETRIC OF INLET FENCE ENCLOSURE



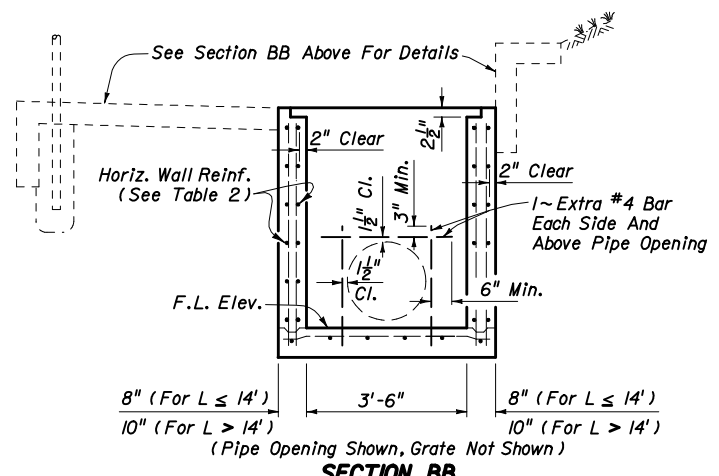
SECTION AA INLET LENGTHS (L) LESS THAN OR EQUAL TO 9' (SINGLE LAYER WALL REINFORCING)



SECTION BB



SECTION AA INLET LENGTHS (L) GREATER THAN OR EQUAL TO 9' (DOUBLE LAYER WALL REINFORCING)



SECTION BB

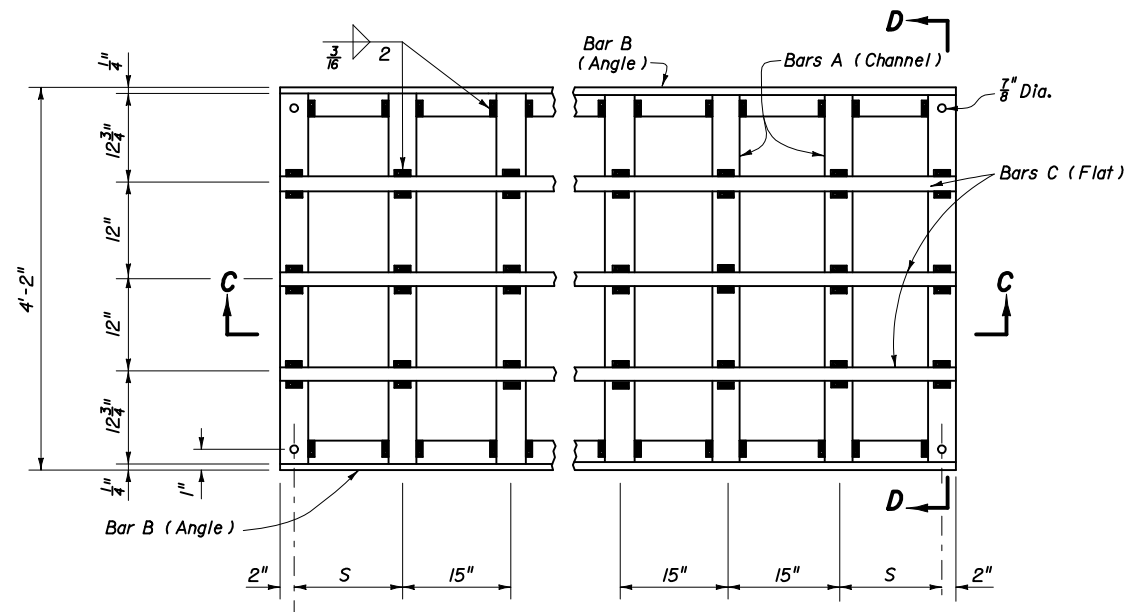
**HORIZONTAL WALL REINFORCING SCHEDULES**  
SINGLE LAYER REINFORCING (TABLE 1) DOUBLE LAYER REINFORCING (TABLE 2)

| WALL DEPTH           | SCH. | AREA (in <sup>2</sup> /ft) | MAX. SPACING BARS | WWF |
|----------------------|------|----------------------------|-------------------|-----|
| <b>SIZE: L=5'-0"</b> |      |                            |                   |     |
| 0' - 5'              | A12  | 0.20                       | 12"               | 8"  |
| 5' - 8'              | A6   | 0.20                       | 6"                | 5"  |
| 8' - 15'             | B5.5 | 0.24                       | 5 1/2"            | 5"  |
| <b>SIZE: L=6'-0"</b> |      |                            |                   |     |
| 0' - 4'              | A12  | 0.20                       | 12"               | 8"  |
| 4' - 6'              | B5.5 | 0.24                       | 5 1/2"            | 5"  |
| 6' - 9'              | C6.5 | 0.37                       | 6 1/2"            | 6"  |
| 9' - 15'             | C3.5 | 0.37                       | 3 1/2"            | 3"  |
| <b>SIZE: L=7'-0"</b> |      |                            |                   |     |
| 0' - 4'              | B5.5 | 0.24                       | 5 1/2"            | 5"  |
| 4' - 7'              | C6.5 | 0.37                       | 6 1/2"            | 6"  |
| 7' - 15'             | D4.5 | 0.53                       | 4 1/2"            | 4"  |
| <b>SIZE: L=8'-0"</b> |      |                            |                   |     |
| 0' - 3'              | B5.5 | 0.24                       | 5 1/2"            | 5"  |
| 3' - 5'              | C6.5 | 0.37                       | 6 1/2"            | 6"  |
| 5' - 9'              | D4.5 | 0.53                       | 4 1/2"            | 4"  |
| 9' - 15'             | E5   | 0.73                       | 5"                | 4"  |
| <b>SIZE: L=9'-0"</b> |      |                            |                   |     |
| 0' - 4'              | C6.5 | 0.37                       | 6 1/2"            | 6"  |
| 4' - 7'              | D4.5 | 0.53                       | 4 1/2"            | 4"  |
| 7' - 15'             | E3   | 0.73                       | 3"                | 3"  |

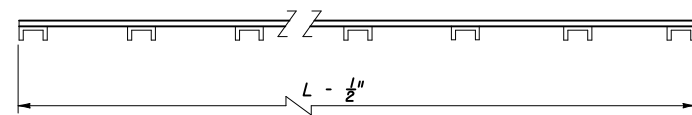
| WALL DEPTH                                 | SCH. | AREA (in <sup>2</sup> /ft) | MAX. SPACING BARS | WWF |
|--|------|----------------------------|-------------------|-----|
| <b>SIZE: L=9'-0"</b>                       |      |                            |                   |     |
| 0' - 4'                                    | A12  | 0.20                       | 12"               | 8"  |
| 4' - 6'                                    | A6   | 0.20                       | 6"                | 5"  |
| 6' - 8'                                    | B5.5 | 0.24                       | 5 1/2"            | 5"  |
| 8' - 15'                                   | C6.5 | 0.37                       | 6 1/2"            | 6"  |
| <b>SIZE: L=10'-0"</b>                      |      |                            |                   |     |
| 0' - 3'                                    | A12  | 0.20                       | 12"               | 8"  |
| 3' - 5'                                    | A6   | 0.20                       | 6"                | 5"  |
| 5' - 8'                                    | C6.5 | 0.37                       | 6 1/2"            | 6"  |
| 8' - 15'                                   | C3.5 | 0.37                       | 3 1/2"            | 3"  |
| <b>SIZE: L=12'-0"</b>                      |      |                            |                   |     |
| 0' - 4'                                    | B5.5 | 0.24                       | 5 1/2"            | 5"  |
| 4' - 6'                                    | C6.5 | 0.37                       | 6 1/2"            | 6"  |
| 6' - 15'                                   | D4.5 | 0.53                       | 4 1/2"            | 4"  |
| <b>SIZE: L=14'-0"</b>                      |      |                            |                   |     |
| 0' - 4'                                    | C6.5 | 0.37                       | 6 1/2"            | 6"  |
| 4' - 7'                                    | D4.5 | 0.53                       | 4 1/2"            | 4"  |
| 7' - 15'                                   | E5   | 0.73                       | 5"                | 4"  |
| <b>SIZE: L=16'-0" x 10" WALL THICKNESS</b> |      |                            |                   |     |
| 0' - 4'                                    | C6.5 | 0.37                       | 6 1/2"            | 6"  |
| 4' - 8'                                    | D4.5 | 0.53                       | 4 1/2"            | 4"  |
| 8' - 15'                                   | E5   | 0.73                       | 5"                | 4"  |
| <b>SIZE: L=18'-0" x 10" WALL THICKNESS</b> |      |                            |                   |     |
| 0' - 3'                                    | C6.5 | 0.37                       | 6 1/2"            | 6"  |
| 3' - 5'                                    | D4.5 | 0.53                       | 4 1/2"            | 4"  |
| 5' - 8'                                    | E5   | 0.73                       | 5"                | 4"  |
| 8' - 15'                                   | F5   | 1.06                       | 5"                | 4"  |

**GENERAL NOTES**

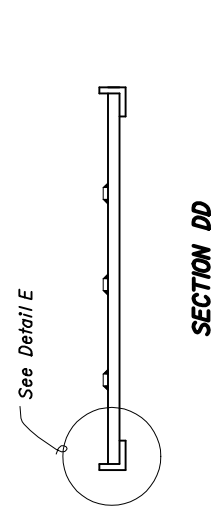
- This Inlet is to be used at locations having high flow rates, usually where an endwall could not be utilized without hazardous intake.
- Inlet length (L) shall be set by the designer for the greater of either culvert requirement or inlet pool not to exceed 12" depth. Structures over 6 feet in depth are to be checked for flotation by the designer of project drainage.
- This inlet is not intended for use with Alternate B structure bottoms.
- Inlet and anti-vortex wall to be Class II Concrete.
- All reinforcing Grade 60 with 2" min. cover unless otherwise noted. See Index No. 20I for equivalent area of welded wire fabric (WWF). Bars to be cut or bent for 1/2" clearance around pipe opening. Bend top and corner bars to clear anchor holes.
- Channel section C 3 x 6 at 14" max. bar spacing may be used as an alternate for the C 4 x 5.4 channel at 15" bar spacing.
- Channels and bars for grate shall be ASTM A242/A242M, A572/A572M or A588/A588M, Grade 50 steel, and galvanized in accordance with Specification Section 962-7.
- Fence enclosure shall be Fence Type B (Index No. 802). All posts to be set in concrete. A minimum of 10 posts required. Corner and approach side posts to be 3" nominal diameter.
- Cost of ditch paving, anti-vortex wall, grate, concrete, reinforcing steel and fence enclosure to be included in the cost of inlet. Inlet to be paid for under the contract unit price for Inlets (DT Bot) (Type K), Each.
- Anchor Bolts shall be ASTM F1554 Grade 36 fully threaded headless bolts, installed in accordance with Specification Sections 416 and 937. Nuts shall be ASTM A563 or A194 and washers shall be ASTM F436 or Type A plain washers. All nuts, bolts and washers shall be galvanized.



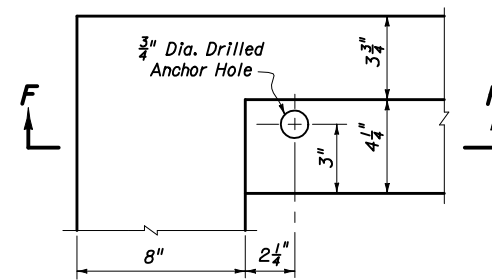
PLAN



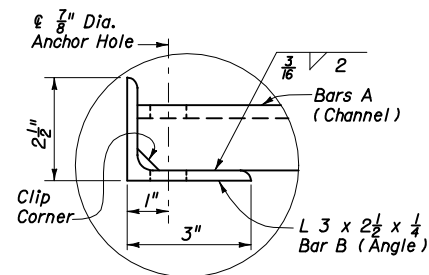
SECTION CC



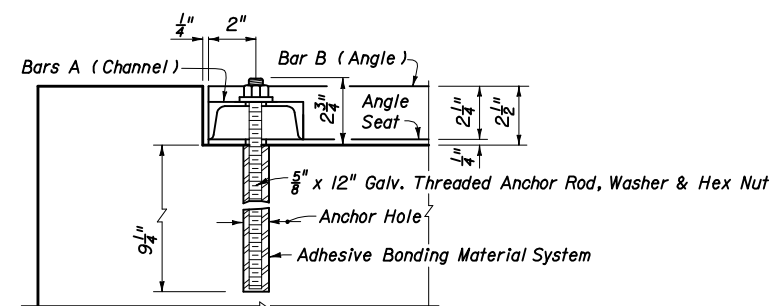
SECTION DD



GRATE SEAT AND ANCHOR HOLE PLAN



DETAIL E



SECTION FF

| GRATE QUANTITIES |        |         |               |            |             |                     |  |                                |
|------------------|--------|---------|---------------|------------|-------------|---------------------|--|--------------------------------|
| PIPE SIZE        | L      | S       | BILL OF STEEL |            |             | STEEL WEIGHT        |  |                                |
|                  |        |         | BAR           | No. REQ'D. | LENGTH      | CHANNEL<br>4"x 5.4# | ANGLE<br>3"x 2 1/2"x 1/4"<br>(4.5#/FT) | FLAT<br>2" x 1/2"<br>(3.4#/FT) |
| 30" & 36"        | 5'-0"  | 12 3/4" | A             | 5          | 4'-1 1/2"   | 111                 | 45                                     | 51                             |
| 42" & 48"        | 6'-0"  | 11 1/4" | B             | 2          | 4'-11 1/2"  | 134                 | 54                                     | 61                             |
|                  |        |         | C             | 3          | 5'-11 1/2"  |                     |  |                                |
|                  |        |         | A             | 6          | 4'-1 1/2"   |                     |  |                                |
| 54" & 60"        | 7'-0"  | 9 3/4"  | B             | 2          | 6'-11 1/2"  | 156                 | 63                                     | 71                             |
|                  |        |         | C             | 3          | 6'-11 1/2"  |                     |  |                                |
|                  |        |         | A             | 7          | 4'-1 1/2"   |                     |  |                                |
| 66" & 72"        | 8'-0"  | 8 1/4"  | B             | 2          | 7'-11 1/2"  | 178                 | 72                                     | 81                             |
|                  |        |         | C             | 3          | 7'-11 1/2"  |                     |  |                                |
|                  |        |         | A             | 8          | 4'-1 1/2"   |                     |  |                                |
| 84"              | 9'-0"  | 14 1/4" | B             | 2          | 8'-11 1/2"  | 178                 | 81                                     | 91                             |
|                  |        |         | C             | 3          | 8'-11 1/2"  |                     |  |                                |
|                  |        |         | A             | 8          | 4'-1 1/2"   |                     |  |                                |
| SPECIAL          | 10'-0" | 12 3/4" | A             | 9          | 4'-1 1/2"   | 201                 | 90                                     | 102                            |
| SPECIAL          | 12'-0" | 9 3/4"  | B             | 2          | 9'-11 1/2"  | 245                 | 108                                    | 122                            |
|                  |        |         | C             | 3          | 11'-11 1/2" |                     |  |                                |
|                  |        |         | A             | 11         | 4'-1 1/2"   |                     |  |                                |
| SPECIAL          | 14'-0" | 14 1/4" | B             | 2          | 13'-11 1/2" | 267                 | 126                                    | 142                            |
|                  |        |         | C             | 3          | 13'-11 1/2" |                     |  |                                |
|                  |        |         | A             | 12         | 4'-1 1/2"   |                     |  |                                |
| SPECIAL          | 16'-0" | 11 1/4" | B             | 2          | 15'-11 1/2" | 312                 | 144                                    | 163                            |
|                  |        |         | C             | 3          | 15'-11 1/2" |                     |  |                                |
|                  |        |         | A             | 14         | 4'-1 1/2"   |                     |  |                                |
| SPECIAL          | 18'-0" | 8 1/4"  | B             | 2          | 17'-11 1/2" | 356                 | 162                                    | 183                            |
|                  |        |         | C             | 3          | 17'-11 1/2" |                     |  |                                |
|                  |        |         | A             | 16         | 4'-1 1/2"   |                     |  |                                |

Table Notes:  
See Sheet No. 1 of 2 for dimension "L" location.  
See steel grate Plan View for dimension "S" location.

# STEEL GRATE



2006 FDOT Design Standards

DITCH BOTTOM INLET  
TYPE K

Last Revision: 07/01/05  
Sheet No.: 2 of 2  
Index No.: 235