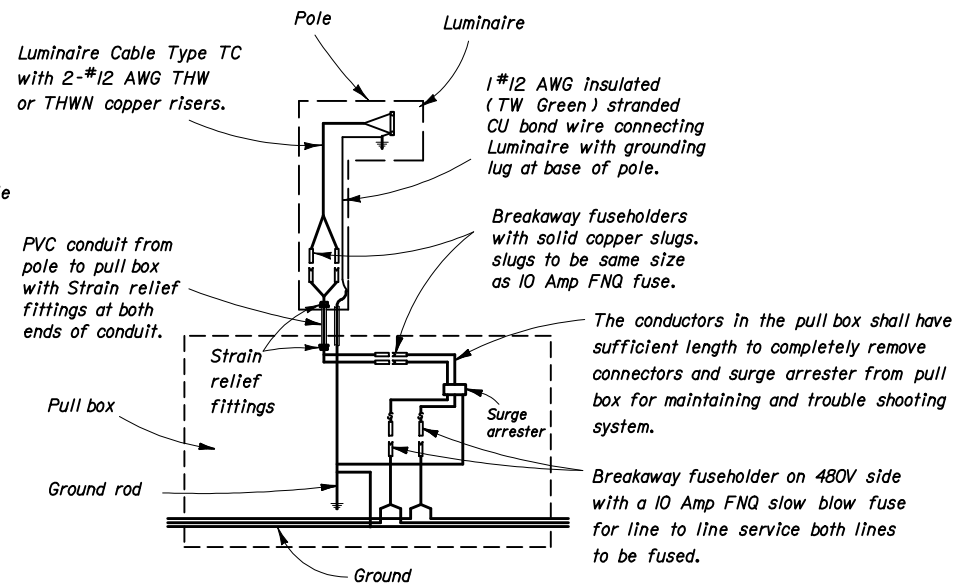
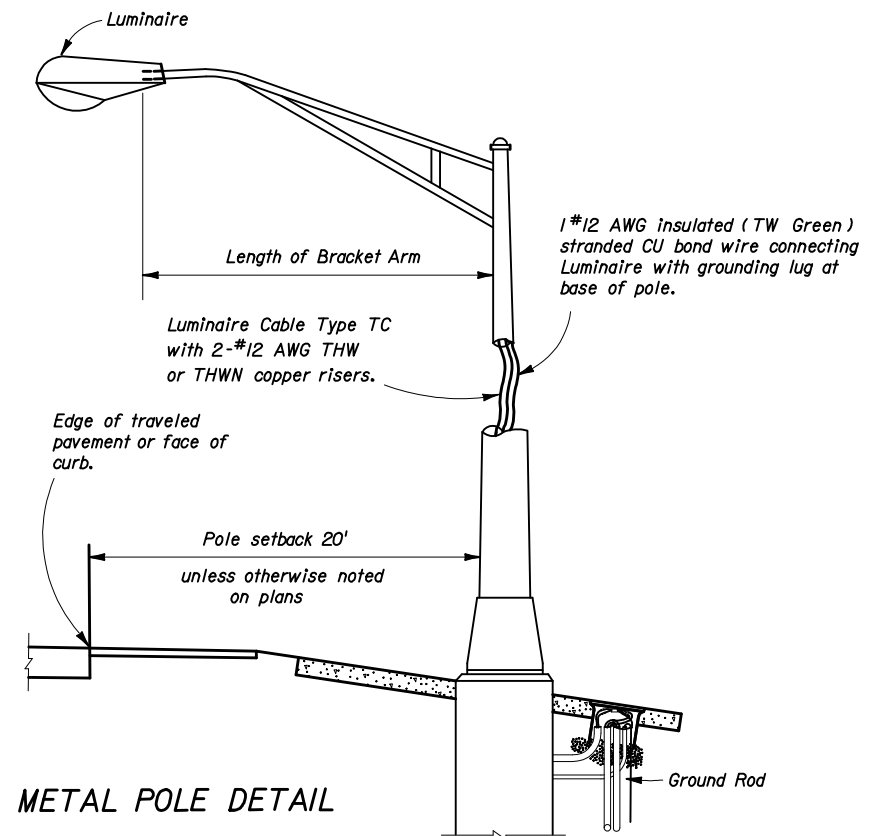


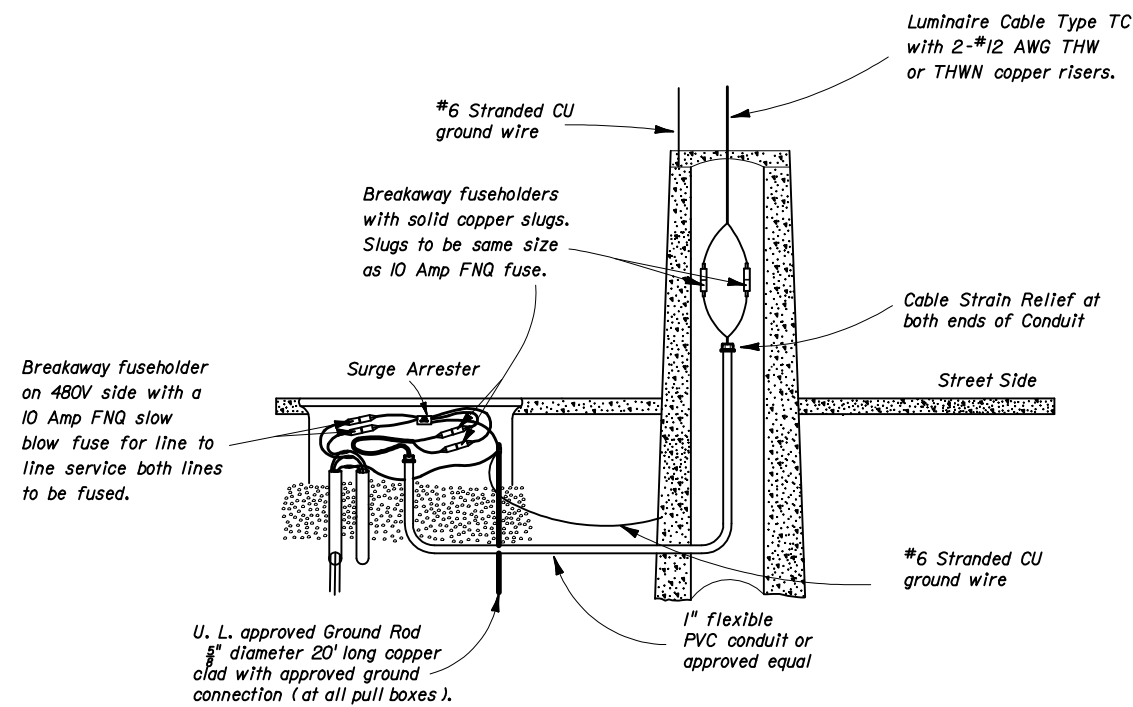
CONCRETE POLE DETAIL



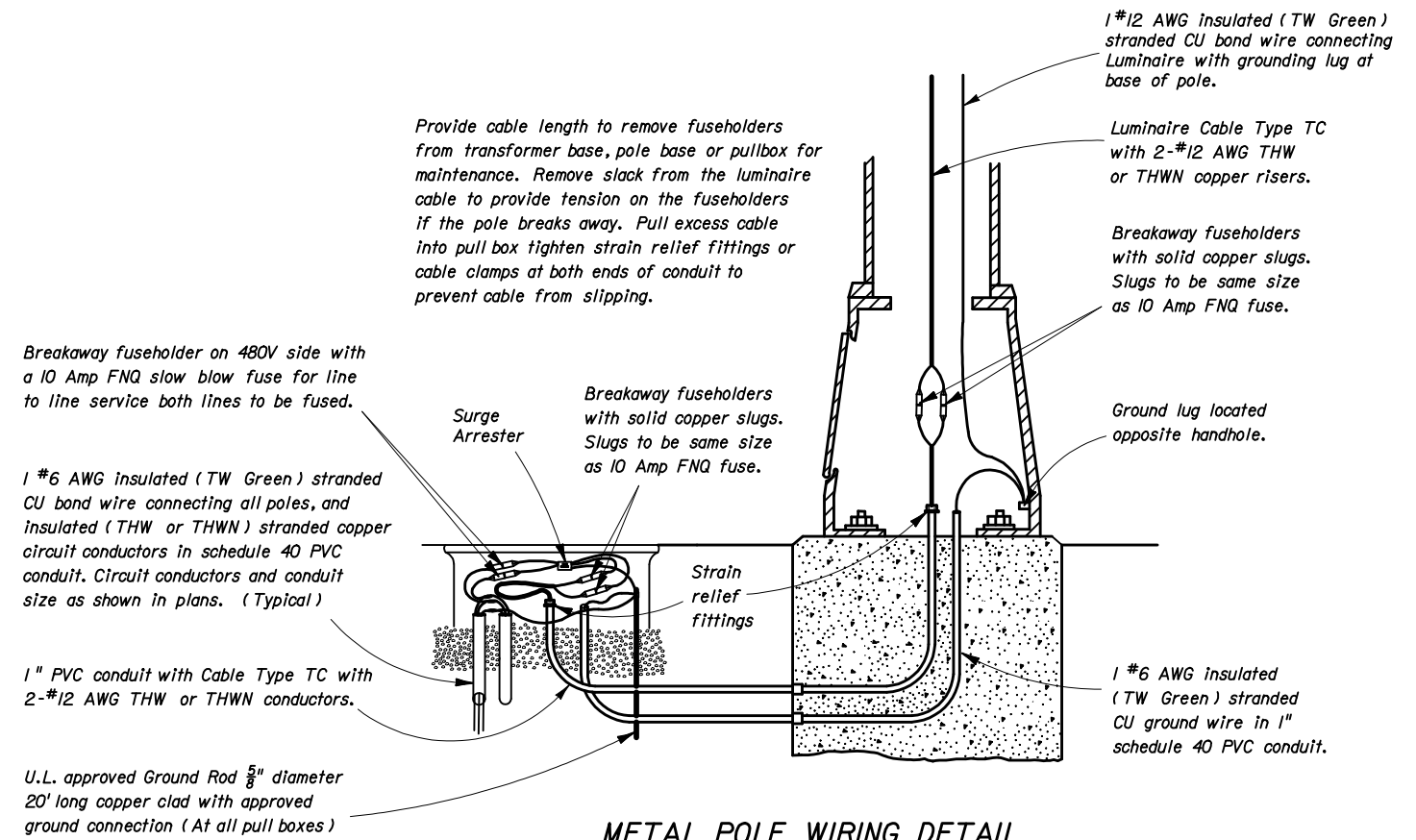
WIRING DIAGRAM



METAL POLE DETAIL



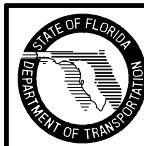
CONCRETE POLE WIRING DETAIL



METAL POLE WIRING DETAIL

NOTES:

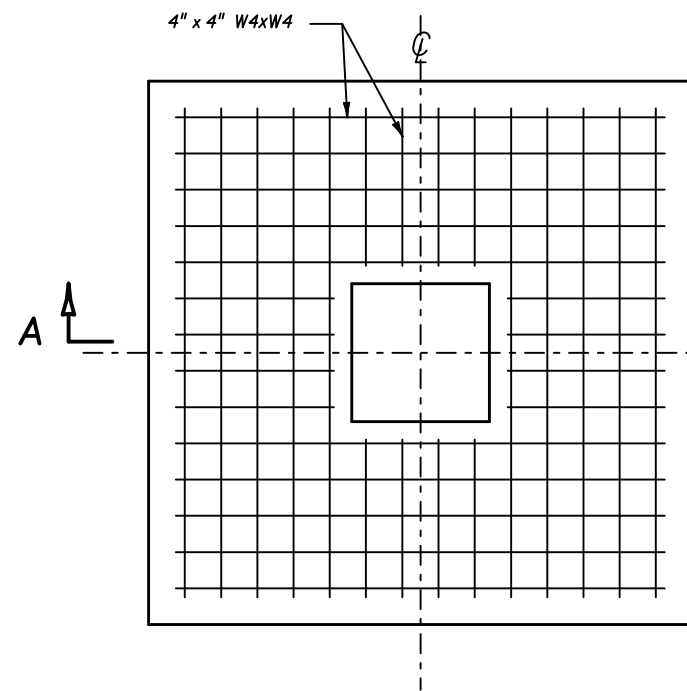
1. Barrier wall or bridge mounted poles: The wiring shall be in accordance with Section 992 of the Standard Specifications.



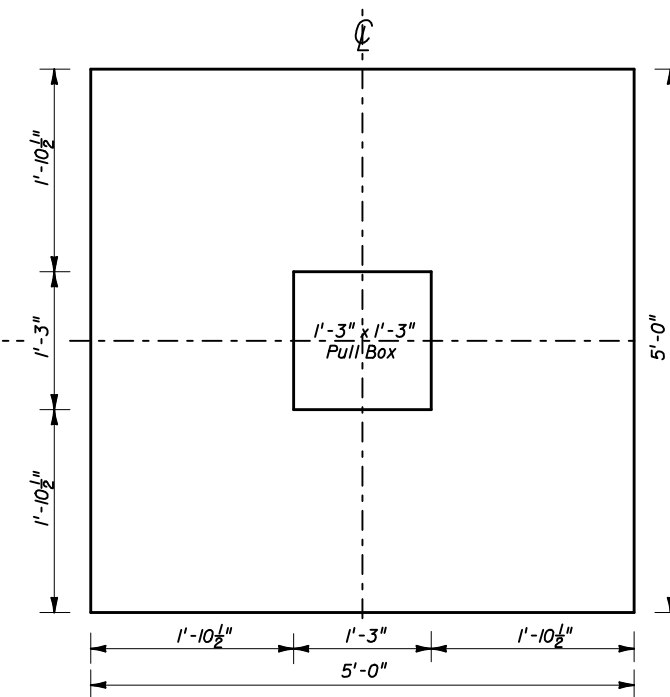
2006 FDOT Design Standards

CONVENTIONAL LIGHTING

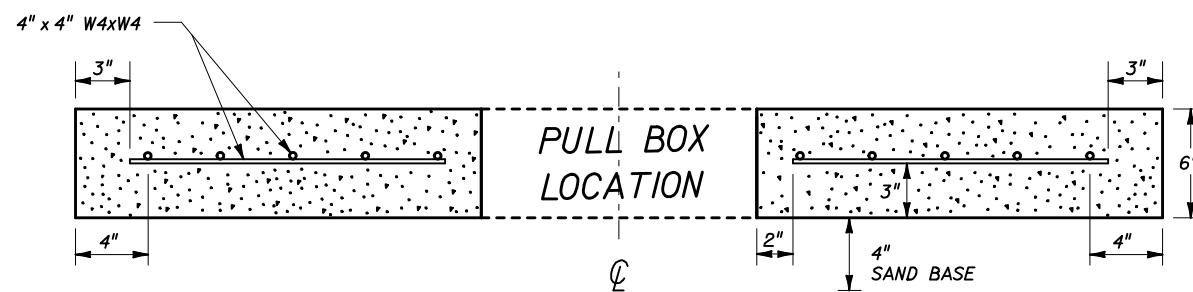
Last Revision	Sheet No
07/01/05	1 of 3
Index no.	
17500	



REINFORCEMENT LAYOUT



SLAB DIMENSIONS



SECTION A-A

**NOTES:**

1. Use clean free draining sand < 5% passing No. 200 sieve for base.
2. Welded wire fabric shall meet the requirements of ASTM A185.
3. Concrete strength at 28 days shall be  $f'c = 3$  ksi
4. Outside edges of slab shall be cast against formwork.
5. The pull box shown is 1'-3" x 1'-3"; others approved under Section 635 of the Standard Specifications may be used.

LIGHTING GENERAL NOTES AND  
SLAB DETAILS FOR PULLBOX LOCATIONS

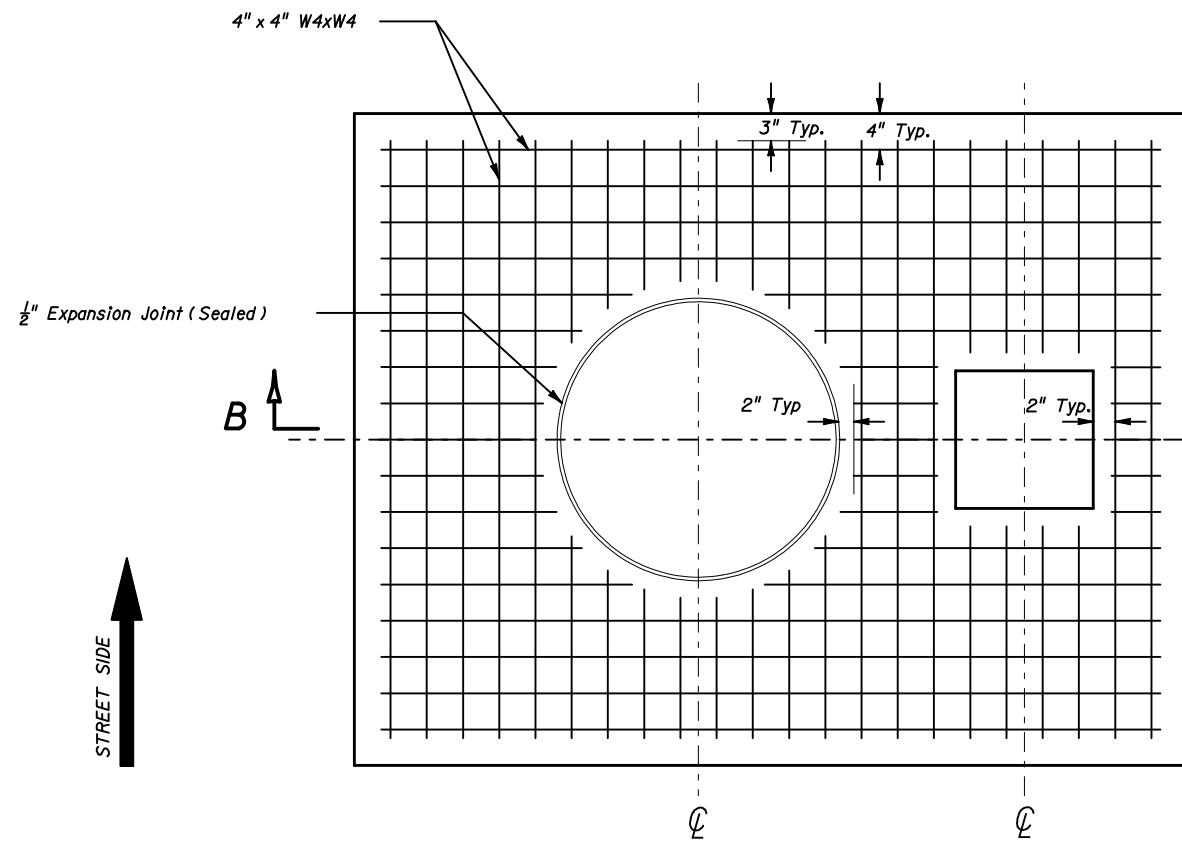


2006 FDOT Design Standards

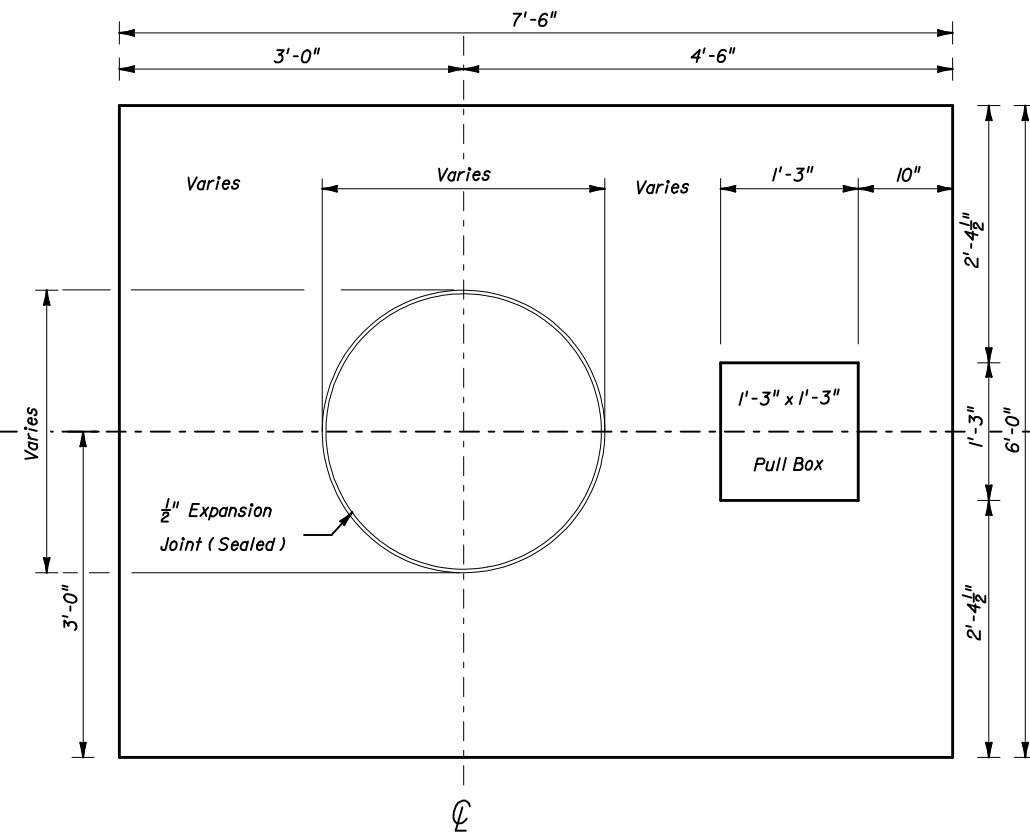
CONVENTIONAL LIGHTING

Last Revision 00	Sheet No. 2 of 3
---------------------	---------------------

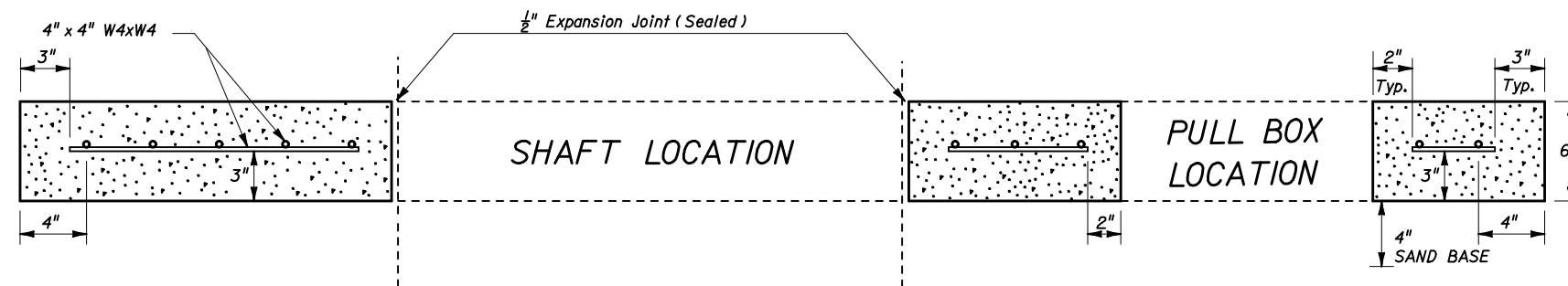
Index No. 17500
--------------------



REINFORCEMENT LAYOUT



SLAB DIMENSIONS



SECTION B-B

**NOTES:**

1. Use clean free draining sand < 5% passing No. 200 sieve for base (4").
2. Welded wire fabric shall meet the requirements of ASTM A185.
3. Concrete strength at 28 days shall be  $f'c=3$  ksi.
4. Outside edges of slab shall be cast against formwork.
5. The  $\frac{1}{2}$ " thick expansion joint between shaft and slab shall be sealed with a hot poured elastic joint sealer.
6. Slabs to be placed around all Poles and Pull Boxes in rural locations. In urban areas or where space is limited slab dimensions may be adjusted as shown in the plans.
7. The pull box shown is 1'-3" x 1'-3"; others approved under Section 635 of the Standard Specifications may be used.

SLAB DETAILS  
FOR POLE AND PULL BOX LOCATIONS



2006 FDOT Design Standards

CONVENTIONAL LIGHTING

Last Revision	Sheet No.
00	3 of 3

Index No.  
**17500**