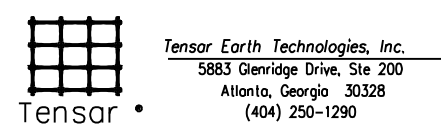


CONSTRUCTION REQUIREMENTS FOR PLACEMENT OF TENSAR GEOGRIDS AND BACKFILL SOILS FOR TENSAR WELDED WIRE FORM REINFORCED RETAINING WALLS

<p>1.0 MATERIALS</p> <p>1.1 GEOGRID REINFORCEMENT SHALL BE TENSAR UNIAXIAL AND BIAXIAL GEOGRIDS MANUFACTURED BY THE TENSAR CORPORATION, MORROW, GEORGIA.</p> <p>1.2 BODKIN BARS SHALL BE 4/2" x 1/4" HDPE BARS MANUFACTURED BY THE TENSAR CORPORATION, MORROW, GEORGIA.</p> <p>1.2.1 CONNECTION ROD SHALL BE 4'-6" x 3/8" (25% GLASS FILLED HDPE.)</p> <p>1.3 GEOTEXTILE FABRIC SHALL BE 8 oz/SY (MIN.) NON-WOVEN, NEEDLE-PUNCHED POLYPROPYLENE WITH MIN. PERMITTIVITY OF 1.0 SEC-1.</p> <p>1.4 BACKFILL MATERIAL SHALL BE IN ACCORDANCE WITH SECTION 548 OF THE FDOT STANDARD SPECIFICATIONS FOR ROAD AND BRIDGE CONSTRUCTION.</p> <p>1.5 FACING SHALL BE PRE-FABRICATED BLACK STEEL WELDED WIRE FORMS TOGETHER WITH EITHER BIAXIAL GEOGRID WRAP OR OPTIONAL MECHANICAL CONNECTION SYSTEM. WIRE FORM GEOMETRY SHALL BE AS DETAILED IN THE CONSTRUCTION DRAWINGS.</p> <p>1.6 TENSAR EARTH TECHNOLOGIES, INC. SHALL PROVIDE TO THE CONTRACTOR THE FOLLOWING MATERIALS ONLY:</p> <p>WWF FACING FORMS AND STRUTS FILTER FABRIC GEOGRID GEOGRID CONNECTOR, AS APPLICABLE</p> <p>2.0 TECHNICAL REQUIREMENTS</p> <p>2.1 FILL MATERIALS SHALL BE PLACED FROM THE BACK OF THE WELDED WIRE FORMS TOWARDS THE ENDS OF THE GEOGRID TO ENSURE FURTHER TENSIONING.</p> <p>2.2 WELDED WIRE FACING SHALL BE MONITORED FOR DEFORMATION AND COMPLIANCE TO FDOT STANDARD SPECIFICATIONS SECTION 548 DURING FILL PLACEMENT AND COMPACTION. COMPACTION EQUIPMENT AND OPERATION PROCEDURES MAY HAVE TO BE MODIFIED TO PREVENT EXCESSIVE DEFORMATION OF THE FLEXIBLE WELDED WIRE FACING.</p> <p>2.3 TIE WIRES OR HOG RINGS MAY BE REQUIRED IF WWF FACING MOVES DURING BACKFILL OPERATIONS.</p> <p>3.0 TENSAR GEOGRID PLACEMENT</p> <p>3.1 TENSAR GEOGRID SHALL BE PLACED AT THE LOCATIONS AND ELEVATIONS SHOWN ON THE SHOP DRAWINGS.</p> <p>3.2 TENSAR GEOGRID REINFORCEMENTS SHALL BE CONTINUOUS THROUGHOUT THEIR EMBEDMENT LENGTH(S). THE BODKIN CONNECTION SHALL NOT BE UTILIZED FOR SPLICING GEOGRID UNLESS PRE-APPROVED BY THE ENGINEER.</p> <p>3.2.1 IF PRE-APPROVED, TENSAR UNIAXIAL GEOGRIDS MAY BE SPLICED UTILIZING THE BODKIN CONNECTION DETAIL. NO MORE THAN ONE SPLICE SHALL BE ALLOWED IN ANY ONE LENGTH OF REINFORCEMENT AND NO SPLICES SHALL BE ALLOWED FOR GEOGRIDS LESS THAN 6 FEET IN LENGTH (EACH). NO SPLICE SHALL BE PLACED HORIZONTALLY OR VERTICALLY ADJACENT TO ANOTHER SPLICE.</p>	<p>3.3 PRIOR TO PLACING FILL, THE GEOGRID MATERIALS SHALL BE PLACED TO LAY FLAT AND PULLED TAUT TO REMOVE SLACK IN THE GEOGRIDS.</p> <p>3.4 TRACKED CONSTRUCTION EQUIPMENT SHALL NOT BE OPERATED DIRECTLY ON THE GEOGRID. A MINIMUM BACKFILL THICKNESS OF 6 INCHES IS REQUIRED FOR OPERATION OF TRACKED VEHICLES OVER THE GEOGRID. TURNING OF TRACKED VEHICLES SHOULD BE KEPT TO A MINIMUM TO PREVENT TRACKS FROM DISPLACING THE FILL AND/OR THE GEOGRID.</p> <p>3.5 RUBBER-TIRED VEHICLES MAY PASS OVER THE GEOGRID REINFORCEMENT AT SLOW SPEEDS, LESS THAN 10 MPH. SUDDEN BRAKING AND SHARP TURNING SHALL BE AVOIDED.</p> <p>3.6 TENSAR UNIAXIAL GEOGRID SHALL BE ROLLED OUT WITH THE LONG AXIS OF THE APERTURES (MACHINE DIRECTION) PERPENDICULAR TO THE WALL FACE. TENSAR BIAXIAL GEOGRID SHALL BE ROLLED OUT ALONG THE WALL FACE (MACHINE DIRECTION PARELLEL TO WALL FACE).</p> <p>3.6.1 UNIAXIAL (UX) GEOGRIDS SHALL BE CUT NEXT TO THE CROSS-MACHINE DIRECTION (TRANSVERSE) BAR. BIAXIAL (BX) GEOGRIDS SHALL BE CUT NEXT TO THE MACHINE DIRECTION BAR (LONGITUDINAL RIB).</p> <p>3.7 FOR THE BIAXIAL GEOGRID WRAP FACING OPTION, THE UNIAXIAL GEOGRIDS, SHALL BE CUT AND PLACED SO THAT A TRANSVERSE BAR IS EXTENDED TO THE VERTICAL LEG OF THE WELDED WIRE FORM.</p> <p>3.8 A MINIMUM OF 3 INCHES OF FILL MATERIAL SHALL BE REQUIRED BETWEEN LAYERS OF BIAXIAL AND UNIAXIAL GEOGRIDS, UNLESS OTHERWISE SHOWN.</p> <p>4.0 CHANGES TO GEOGRID LAYOUT OR PLACEMENT</p> <p>4.1 NO CHANGES TO THE TENSAR GEOGRID LAYOUT, INCLUDING, BUT NOT LIMITED TO, LENGTH, GEOGRID TYPE, OR ELEVATION, SHALL BE MADE WITHOUT THE EXPRESS, WRITTEN CONSENT OF TENSAR EARTH TECHNOLOGIES, INC.</p> <p>5.0 DRAINAGE</p> <p>5.1 THE TENSAR REINFORCED WALL HAS BEEN DESIGNED ON THE ASSUMPTION THAT THE REINFORCED BACKFILL MATERIAL SHALL BE FREE OF SUBSURFACE SEEPAGE. PERMANENT SUBSURFACE WATER (SEEPAGE) COLLECTION AND DIVERSION SHALL BE THE RESPONSIBILITY OF OTHERS.</p> <p>5.2 AT THE END OF EACH WORK DAY, THE BACKFILL SURFACE SHALL BE GRADED AWAY FROM THE WALL FACE AT A MINIMUM OF 2 PERCENT SLOPE AND A TEMPORARY SOIL BERM SHALL BE CONSTRUCTED NEAR THE WALL CREST TO PREVENT SURFACE WATER RUNOFF FROM OVERTOPPING THE WALL.</p> <p>5.3 AT THE END OF EACH WORK DAY, BACKFILL SURFACE SHALL BE COMPACTED WITH A SMOOTH WHEEL ROLLER TO MINIMIZE PONDING OF WATER AND SATURATION OF THE BACKFILL.</p> <p>5.4 THE CONTRACTOR SHALL BE RESPONSIBLE FOR DRAINAGE CONTROL AS NEEDED DURING CONSTRUCTION.</p>	<p>6.0 DESIGN PARAMETERS</p> <p>6.1 SOIL PARAMETERS</p> <p>SEE WALL CONTROL DRAWINGS FOR SOIL CHARACTERISTICS OF FOUNDATION MATERIAL TO BE USED IN THE DESIGN OF THE WALL SYSTEM. IF SOIL DESIGN PARAMETERS FOR BACKFILL MATERIAL ARE PROVIDED IN THE WALL CONTROL DRAWINGS, THEN THE CONTRACTOR SHALL VERIFY THAT THE SOIL MATERIALS COMPLY WITH THOSE GIVEN PARAMETERS. IF SOIL DESIGN PARAMETERS FOR BACKFILL MATERIAL ARE NOT PROVIDED IN THE WALL CONTROL DRAWINGS, THEN THE CONTRACTOR SHALL PROVIDE SOIL DESIGN PARAMETERS FOR BACKFILL MATERIAL BASED ON THE ACTUAL SOIL TO BE UTILIZED IN THE CONSTRUCTION. THE VALUES OF FRICTION ANGLE, APPARENT COHESION AND UNIT WEIGHT SHALL BE SHOWN ON THE SHOP DRAWINGS.</p> <p>6.2 DESIGN</p> <p>THE DESIGN CONTAINED ON THESE DRAWINGS IS BASED ON INFORMATION PROVIDED BY OTHERS. ON THE BASIS OF THIS INFORMATION, TENSAR EARTH TECHNOLOGIES, INC. IS RESPONSIBLE FOR INTERNAL STABILITY OF THE STRUCTURE ONLY. TENSAR EARTH TECHNOLOGIES, INC. ACCEPTS NO LIABILITY OR RESPONSIBILITY FOR EXTERNAL STABILITY, GLOBAL STABILITY AND FOUNDATION.</p> <p>6.2.1 FACTORS OF SAFETY:</p> <p>6.2.1.1 INTERNAL STABILITY</p> <p>MAXIMUM GEOGRID DESIGN STRENGTH = 0.29 ULT MINIMUM FACTOR OF SAFETY FOR GEOGRID PULLOUT = 1.5 MINIMUM FACTOR OF SAFETY FOR SLIDING AT LOWEST GEOGRID = 1.5 GEOGRID-SOIL INTERACTION COEFFICIENT FOR: UXMSE GEOGRID = 0.55 - 0.8 BX GEOGRID = 0.8 PERCENT COVERAGE OF GEOGRID = VARIES</p> <p>6.2.1.2 SLIDING AND OVERTURNING:</p> <p>MINIMUM FACTOR OF SAFETY FOR SLIDING = 1.5 MINIMUM FACTOR OF SAFETY FOR OVERTURNING = 2.0</p> <p>6.2.1.3 GLOBAL STABILITY:</p> <p>GLOBAL STABILITY INCLUDING SLOPE STABILITY IS THE RESPONSIBILITY OF OTHERS. THE EVALUATION OF GLOBAL STABILITY AND ITS EFFECT ON THE TENSAR RETAINING WALL SYSTEM SHALL BE THE RESPONSIBILITY OF OTHERS. TENSAR EARTH TECHNOLOGIES, INC. ACCEPTS NO LIABILITY OR RESPONSIBILITY FOR GLOBAL STABILITY.</p> <p>6.2.1.4 FOUNDATION:</p> <p>FOUNDATION, INCLUDING FOUNDATION PREPARATION AND THE EVALUATION OF BEARING CAPACITY, TOTAL AND DIFFERENTIAL SETTLEMENT ARE THE RESPONSIBILITY OF OTHERS. SETTLEMENT AND ITS EFFECT ON THE TENSAR RETAINING WALL SYSTEM SHALL BE THE RESPONSIBILITY OF OTHERS. TENSAR EARTH TECHNOLOGIES, INC. ACCEPTS NO LIABILITY OR RESPONSIBILITY FOR FOUNDATION.</p>	<p>7.0 SPECIAL PROVISIONS</p> <p>7.1 WALL ELEVATION VIEWS AND LOCATIONS, AND GEOMETRY OF EXISTING AND PROPOSED STRUCTURES MUST BE VERIFIED BY THE CONTRACTOR PRIOR TO THE PREPARATION OF THE SHOP DRAWINGS.</p> <p>7.2 TENSAR EARTH TECHNOLOGIES, INC. ASSUMES NO LIABILITY FOR INTERPRETATION OR VERIFICATION OF SUBSURFACE CONDITIONS, SUITABILITY OF SOIL DESIGN PARAMETERS AND INTERPRETATION OF SUBSURFACE GROUNDWATER CONDITIONS.</p> <p>7.3 ANY REVISIONS TO STRUCTURE GEOMETRY OR THE STATED DESIGN PARAMETERS ON THE WALL CONTROL DRAWINGS OR SHOP DRAWINGS SHALL REQUIRE DESIGN MODIFICATIONS PRIOR TO PROCEEDING WITH CONSTRUCTION.</p> <p>7.4 PRIOR TO AND DURING CONSTRUCTION, THE CONTRACTOR IS RESPONSIBLE FOR REVIEWING AND VERIFYING THAT THE ACTUAL SITE CONDITIONS ARE AS SHOWN ON THE SHOP DRAWINGS. THE OWNER OR OWNER'S REPRESENTATIVE SHALL BE ONSITE TO ASSURE THE PROVISIONS IN THE CONSTRUCTION NOTES ARE FOLLOWED.</p> <p>7.5 THE SOIL DESIGN PARAMETERS SHOWN ON THE SHOP DRAWINGS SHALL BE VERIFIED BY THE CONTRACTOR PRIOR TO CONSTRUCTION.</p> <p>7.6 SEE CONTROL DRAWINGS, FDOT STANDARD SPECIFICATIONS AND PROJECT SPECIAL PROVISIONS FOR ADDITIONAL REQUIRED MATERIALS AND METHODS.</p> <p>7.7 A COPY OF THE TENSAR EARTH TECHNOLOGIES, INC. TEMPORARY RETAINING WALL SYSTEM INSTALLATION GUIDELINES MUST BE ON SITE AT ALL TIMES DURING WALL CONSTRUCTION.</p>
----------------------------------------------------------------------------------------------------------------------------------------------------------------------------------------------------------------------------------------------------------------------------------------------------------------------------------------------------------------------------------------------------------------------------------------------------------------------------------------------------------------------------------------------------------------------------------------------------------------------------------------------------------------------------------------------------------------------------------------------------------------------------------------------------------------------------------------------------------------------------------------------------------------------------------------------------------------------------------------------------------------------------------------------------------------------------------------------------------------------------------------------------------------------------------------------------------------------------------------------------------------------------------------------------------------------------------------------------------------------------------------------------------------------------------------------------------------------------------------------------------------------------------------------------------------------------------------------------------------------------------------------------------------------------------------------------------------------------------------------------------------------------------------------------------------------------------------------------------------------------------------------------------------------------------------------------------------------------------------------------------------------------------------------------------------------------------------------------------------------------------------------------------------------------------------------------------------------------------------------------------------------------------------------------------------------------------------------------------------------------------------------------	------------------------------------------------------------------------------------------------------------------------------------------------------------------------------------------------------------------------------------------------------------------------------------------------------------------------------------------------------------------------------------------------------------------------------------------------------------------------------------------------------------------------------------------------------------------------------------------------------------------------------------------------------------------------------------------------------------------------------------------------------------------------------------------------------------------------------------------------------------------------------------------------------------------------------------------------------------------------------------------------------------------------------------------------------------------------------------------------------------------------------------------------------------------------------------------------------------------------------------------------------------------------------------------------------------------------------------------------------------------------------------------------------------------------------------------------------------------------------------------------------------------------------------------------------------------------------------------------------------------------------------------------------------------------------------------------------------------------------------------------------------------------------------------------------------------------------------------------------------------------------------------------------------------------------------------------------------------------------------------------------------------------------------------------------------------------------------------------------------------------------------------------------------------------------------------------------------------------------------------------------------------------------------------------------------------------------------------------------------------------------------------------------------------------------------------------------------------------------------------------------------------	-----------------------------------------------------------------------------------------------------------------------------------------------------------------------------------------------------------------------------------------------------------------------------------------------------------------------------------------------------------------------------------------------------------------------------------------------------------------------------------------------------------------------------------------------------------------------------------------------------------------------------------------------------------------------------------------------------------------------------------------------------------------------------------------------------------------------------------------------------------------------------------------------------------------------------------------------------------------------------------------------------------------------------------------------------------------------------------------------------------------------------------------------------------------------------------------------------------------------------------------------------------------------------------------------------------------------------------------------------------------------------------------------------------------------------------------------------------------------------------------------------------------------------------------------------------------------------------------------------------------------------------------------------------------------------------------------------------------------------------------------------------------------------------------------------------------------------------------------------------------------------------------------------------------------------------------------------------------------------------------------------------------------------------------------------------------------------------------------------------------------------------------------------------------------------------------------------------------------------------------------------------------------------------------------------------------------------------------------------------------------------------	---------------------------------------------------------------------------------------------------------------------------------------------------------------------------------------------------------------------------------------------------------------------------------------------------------------------------------------------------------------------------------------------------------------------------------------------------------------------------------------------------------------------------------------------------------------------------------------------------------------------------------------------------------------------------------------------------------------------------------------------------------------------------------------------------------------------------------------------------------------------------------------------------------------------------------------------------------------------------------------------------------------------------------------------------------------------------------------------------------------------------------------------------------------------------------------------------------------------------------------------------------------------------------------------------------------------------------------------------------------------------------------------------

THIS SYSTEM MAY BE USED IN ALL ENVIRONMENTS

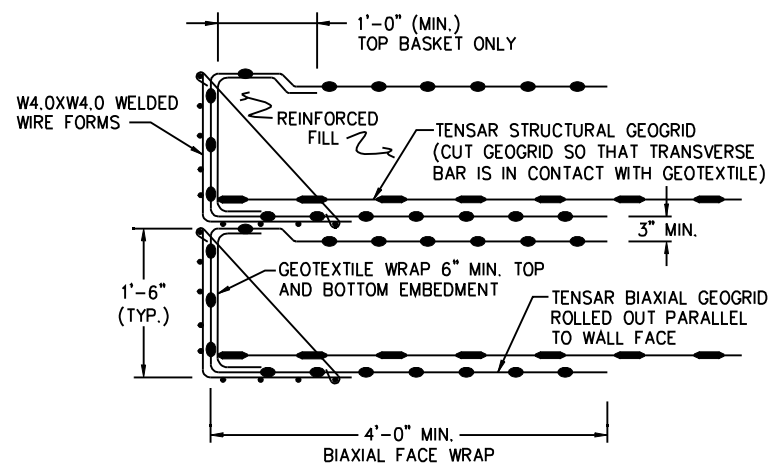
THIS DESIGN IS BASED UPON SPECIFIC PROPERTIES OF TENSAR PRODUCTS (GEOGRIDS, DRAINAGE COMPOSITES AND EROSION MEDIA), WHICH ARE PROPRIETARY TO THE TENSAR CORPORATION 1210 CITIZENS PARKWAY, MORROW GA, 30260. ANY SUBSTITUTION OF THE SPECIFIED PRODUCTS WILL INVALIDATE THIS DESIGN. THIS DRAWING IS BEING FURNISHED FOR USE ON THIS SPECIFIC PROJECT ONLY. ANY PARTY ACCEPTING THIS DOCUMENT DOES SO IN CONFIDENCE AND AGREES THAT IT SHALL NOT BE DUPLICATED WHOLE OR IN PART, NOR DISCLOSED TO OTHERS, WITHOUT THE CONSENT OF TENSAR EARTH TECHNOLOGIES, INC.



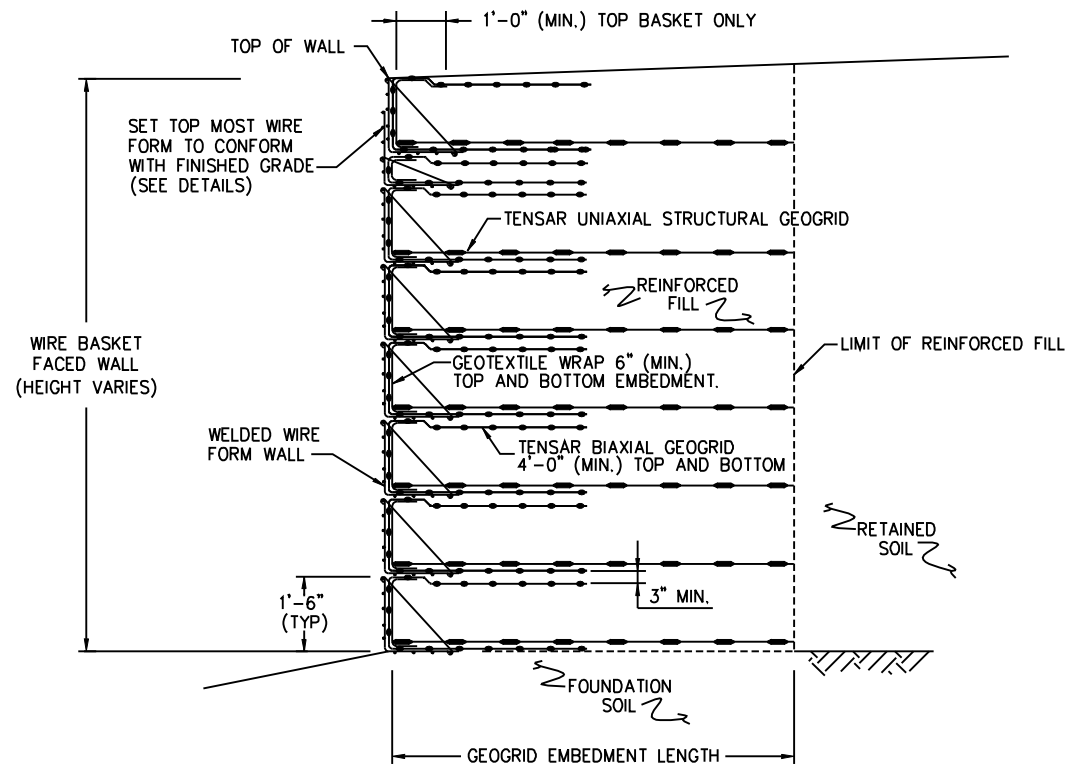
DATE : 01-01-05

INTERIM STANDARD IN ENGLISH UNITS
APPLICABLE TO DESIGN STANDARDS
BOOKLET PUBLISHED IN EITHER ENGLISH
OR METRIC UNITS.

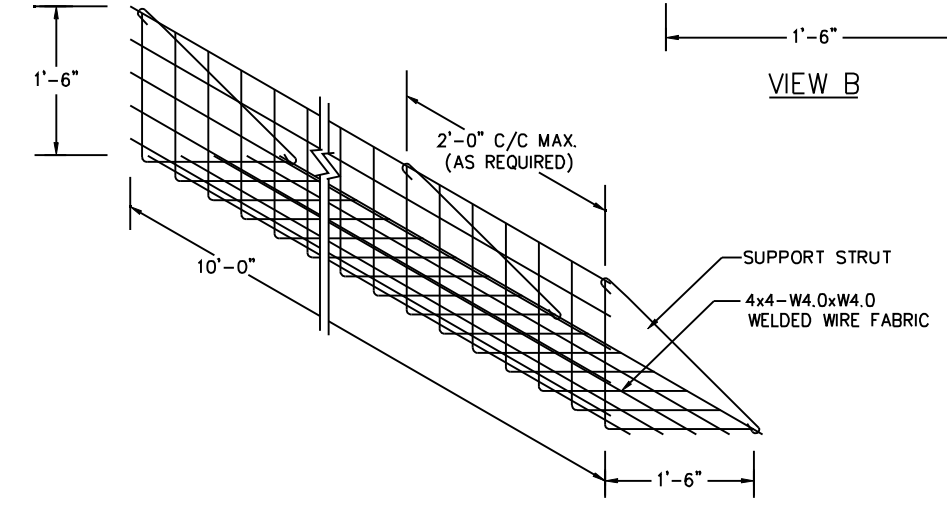
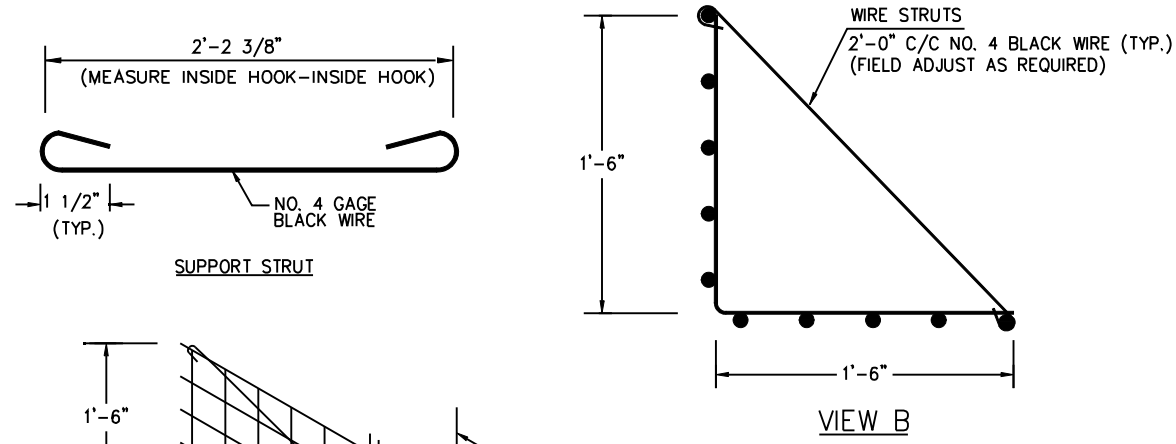
STATE OF FLORIDA DEPARTMENT OF TRANSPORTATION		
<i>RETAINING WALL SYSTEMS TENSAR EARTH TECHNOLOGIES TEMPORARY RETAINING WALL</i>		
INTERIM STANDARD	APPROVED BY William N. Nickas, P.E. State Structures Design Engineer	
SHEET NOS. 1 - 5 OF 5 ARE A REPLACEMENT OF INDEX NO. 5125 OF THE DESIGN STANDARDS BOOKLET DATED JANUARY 2000.	REVISION NO. 04	SHEET NO. 1 of 5
		INDEX NO. 05125



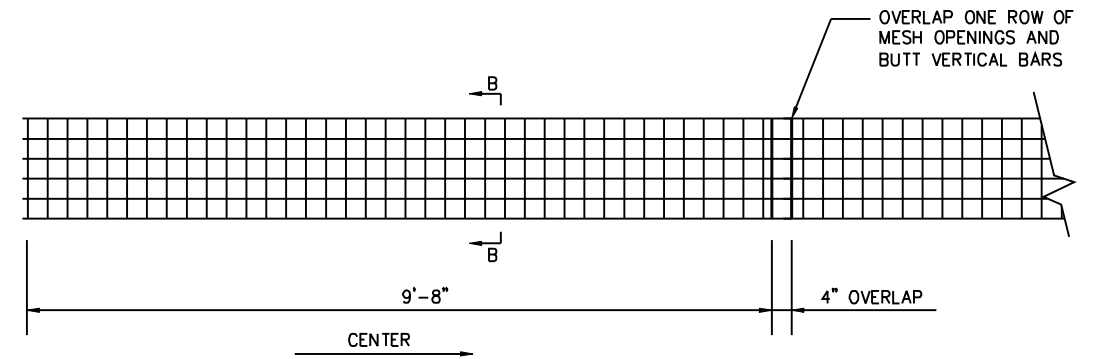
WALL FACE DETAIL
NOT TO SCALE



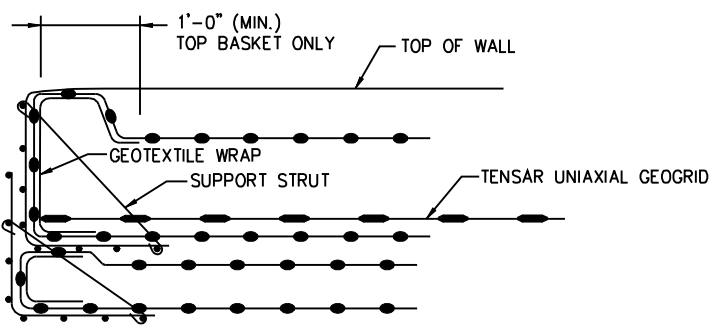
TYPICAL CROSS-SECTION
NOT TO SCALE



- NOTES:**
1. FACING TO CONSIST OF PREFABRICATED WWF 4x4-W4.0xW4.0 FORMS PER ASTM A497.
 2. ALL FORMS AND STRUTS WILL BE FABRICATED WITH BLACK WIRE.
 3. OVERALL LENGTH OF WIRE FORMS IS 10'-0". EFFECTIVE CONSTRUCTED WIDTH IS 9'-8" WITH 4" OVER LAPPING AT ENDS.



WELDED WIRE FORM DETAIL
FOR BIAxIAL GEOGRID WRAP FACING
NOT TO SCALE



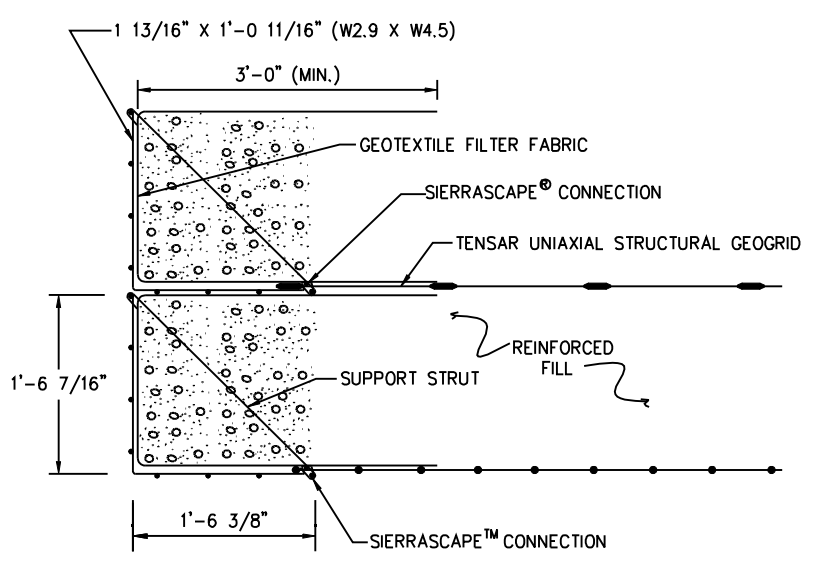
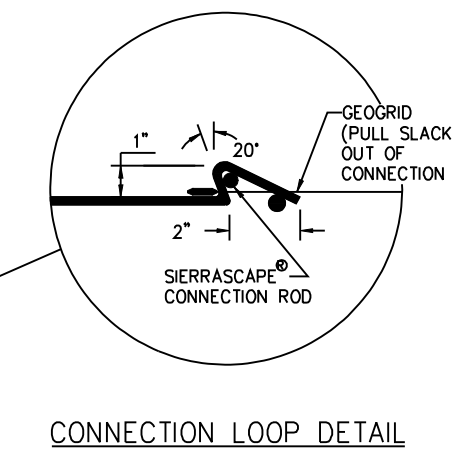
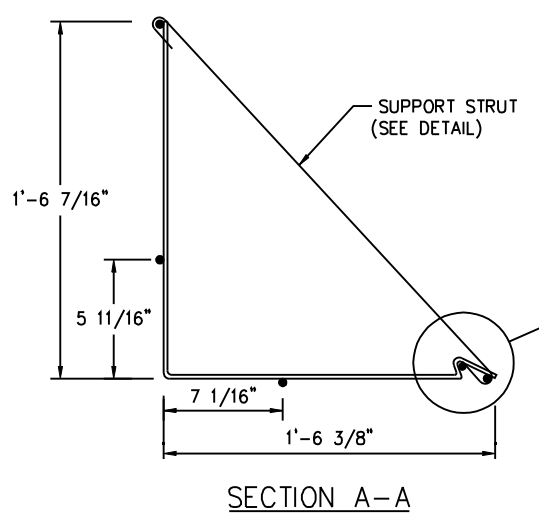
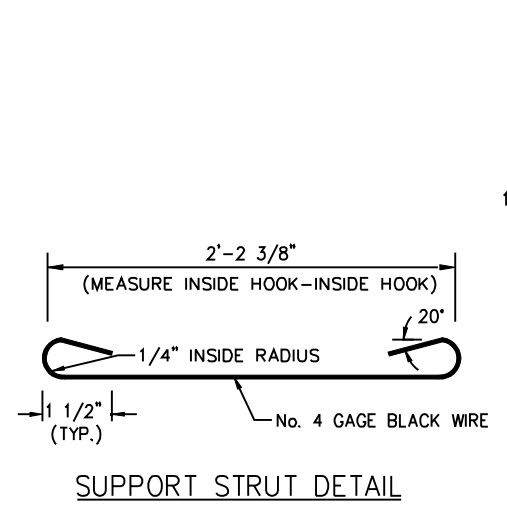
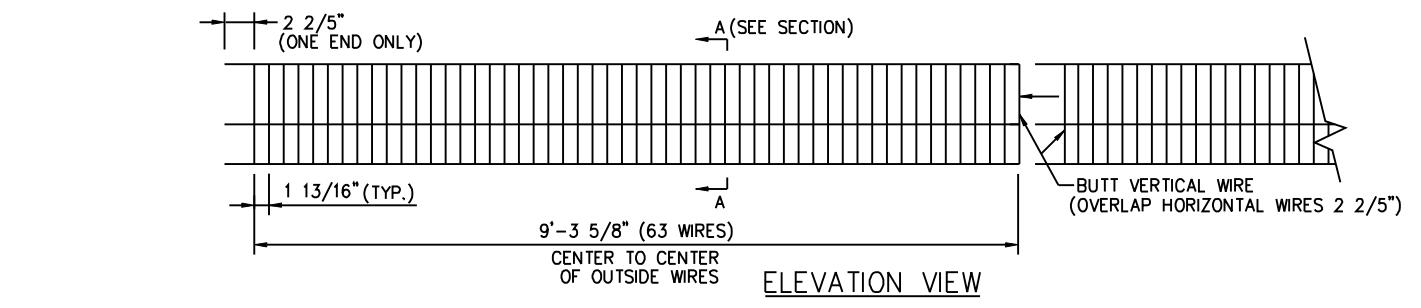
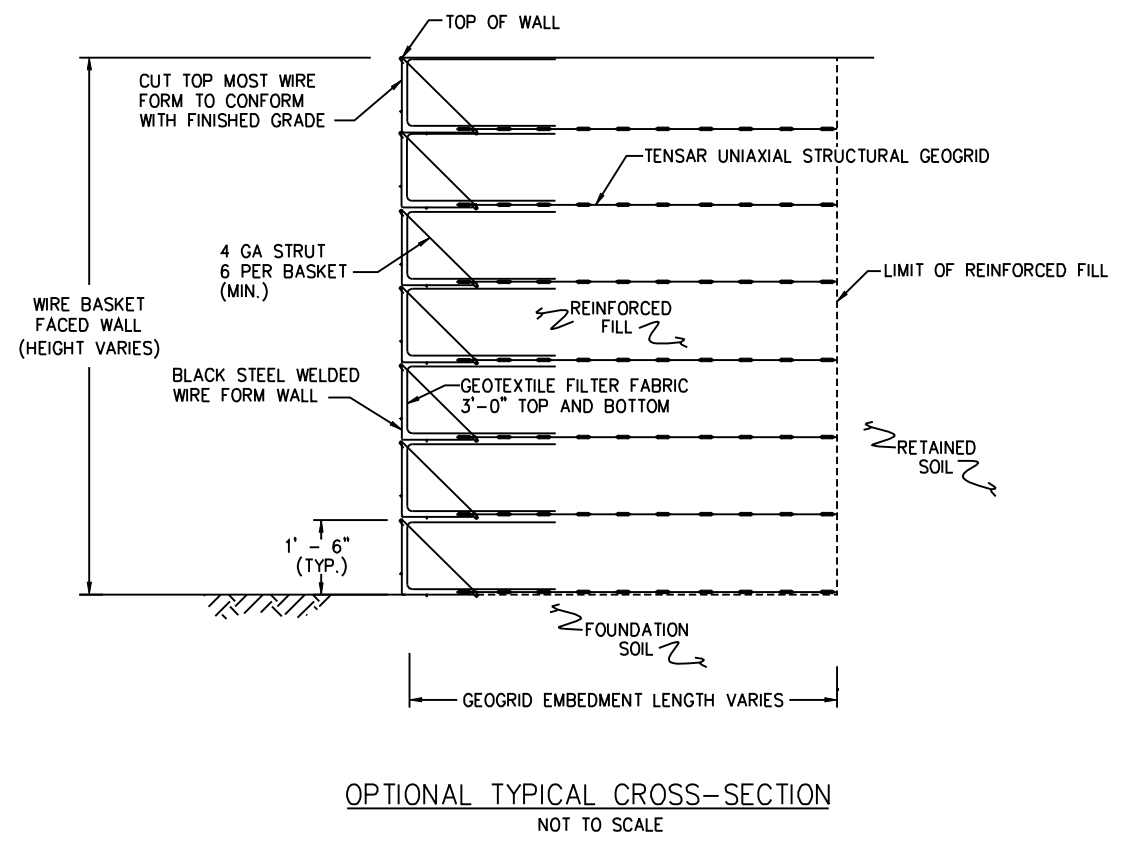
TOP WIRE BASKET DETAIL
NOT TO SCALE

THIS SYSTEM MAY BE USED IN ALL ENVIRONMENTS

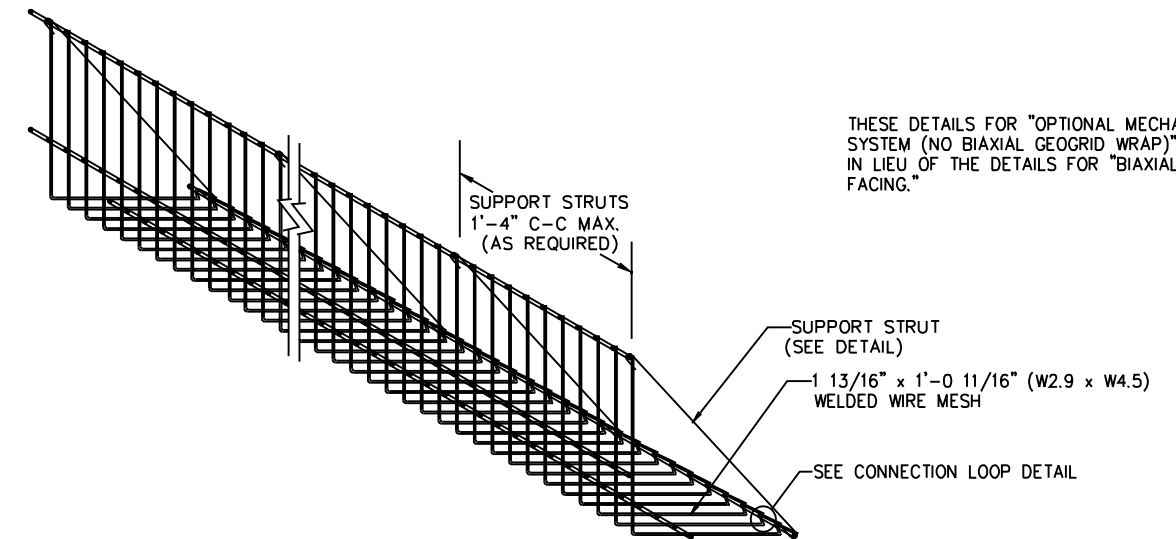
THIS DESIGN IS BASED UPON SPECIFIC PROPERTIES OF TENSAR PRODUCTS (GEOGRIDS, DRAINAGE COMPOSITES AND EROSION MEDIA), WHICH ARE PROPRIETARY TO THE TENSAR CORPORATION 1210 CITIZENS PARKWAY, MORROW GA, 30260. ANY SUBSTITUTION OF THE SPECIFIED PRODUCTS WILL INVALIDATE THIS DESIGN. THIS DRAWING IS BEING FURNISHED FOR USE ON THIS SPECIFIC PROJECT ONLY. ANY PARTY ACCEPTING THIS DOCUMENT DOES SO IN CONFIDENCE AND AGREES THAT IT SHALL NOT BE DUPLICATED WHOLE OR IN PART, NOR DISCLOSED TO OTHERS, WITHOUT THE CONSENT OF TENSAR EARTH TECHNOLOGIES, INC.

DATE : 01-01-05
INTERIM STANDARD IN ENGLISH UNITS
APPLICABLE TO DESIGN STANDARDS
BOOKLET PUBLISHED IN EITHER ENGLISH
OR METRIC UNITS.

STATE OF FLORIDA DEPARTMENT OF TRANSPORTATION		
RETAINING WALL SYSTEMS TENSAR EARTH TECHNOLOGIES TEMPORARY RETAINING WALL		
INTERIM STANDARD	APPROVED BY William N. Nickas, P.E. State Structures Design Engineer	
SHEET NOS. 1 - 5 OF 5 ARE A REPLACEMENT OF INDEX NO. 5125 OF THE DESIGN STANDARDS BOOKLET DATED JANUARY 2000.	REVISION NO. 04	SHEET NO. 2 of 5
		INDEX NO. 05125



- NOTES:**
1. FACING TO CONSIST OF PREFABRICATED WWM 1 13/16" x 1'-0 11/16" (W2.9 x W4.5) FORMS, PER ASTM A497.
 2. ALL FORMS AND STRUTS WILL BE FABRICATED WITH BLACK WIRE.



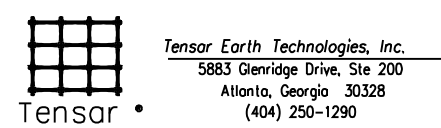
- NOTES:**
1. FACING TO CONSIST OF PREFABRICATED WWM 1 13/16" x 1'-0 11/16" (W2.9 x W4.5) FORMS, PER ASTM A497.
 2. ALL FORMS AND STRUTS WILL BE FABRICATED WITH BLACK WIRE.
 3. OVERALL LENGTH OF WIRE FORMS IS 9'-3 5/8".

THESE DETAILS FOR "OPTIONAL MECHANICAL CONNECTION SYSTEM (NO BIAXIAL GEOGRID WRAP)" MAY BE USED IN LIEU OF THE DETAILS FOR "BIAXIAL GEOGRID WRAP FACING."

THIS SYSTEM MAY BE USED IN ALL ENVIRONMENTS

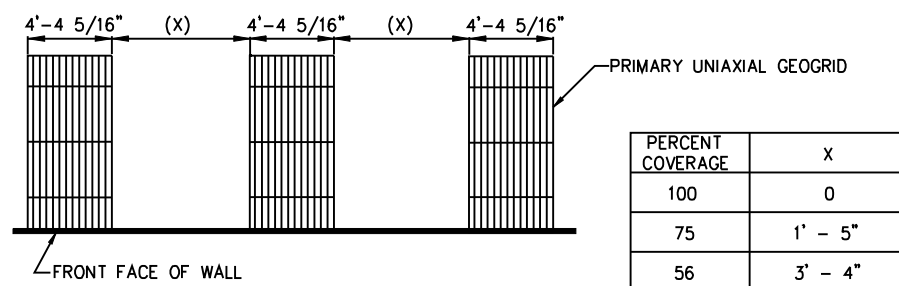
OPTIONAL MECHANICAL CONNECTION SYSTEM (NO BIAXIAL GEOGRID WRAP)

THIS DESIGN IS BASED UPON SPECIFIC PROPERTIES OF TENSAR PRODUCTS (GEOGRIDS, DRAINAGE COMPOSITES AND EROSION MEDIA), WHICH ARE PROPRIETARY TO THE TENSAR CORPORATION 1210 CITIZENS PARKWAY, MORROW GA, 30260. ANY SUBSTITUTION OF THE SPECIFIED PRODUCTS WILL INVALIDATE THIS DESIGN. THIS DRAWING IS BEING FURNISHED FOR USE ON THIS SPECIFIC PROJECT ONLY. ANY PARTY ACCEPTING THIS DOCUMENT DOES SO IN CONFIDENCE AND AGREES THAT IT SHALL NOT BE DUPLICATED WHOLE OR IN PART, NOR DISCLOSED TO OTHERS, WITHOUT THE CONSENT OF TENSAR EARTH TECHNOLOGIES, INC.



DATE : 01-01-05
INTERIM STANDARD IN ENGLISH UNITS APPLICABLE TO DESIGN STANDARDS BOOKLET PUBLISHED IN EITHER ENGLISH OR METRIC UNITS.

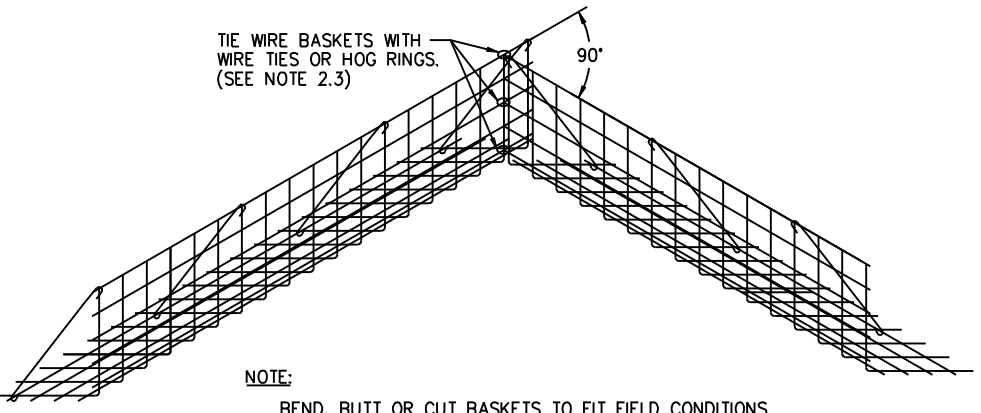
STATE OF FLORIDA DEPARTMENT OF TRANSPORTATION		
RETAINING WALL SYSTEMS TENSAR EARTH TECHNOLOGIES TEMPORARY RETAINING WALL		
INTERIM STANDARD	APPROVED BY William N. Nickas, P.E. State Structures Design Engineer	
SHEET NOS. 1 - 5 OF 5 ARE A REPLACEMENT OF INDEX NO. 5125 OF THE DESIGN STANDARDS BOOKLET DATED JANUARY 2000.	REVISION NO. 04	SHEET NO. 3 of 5
		INDEX NO. 05125



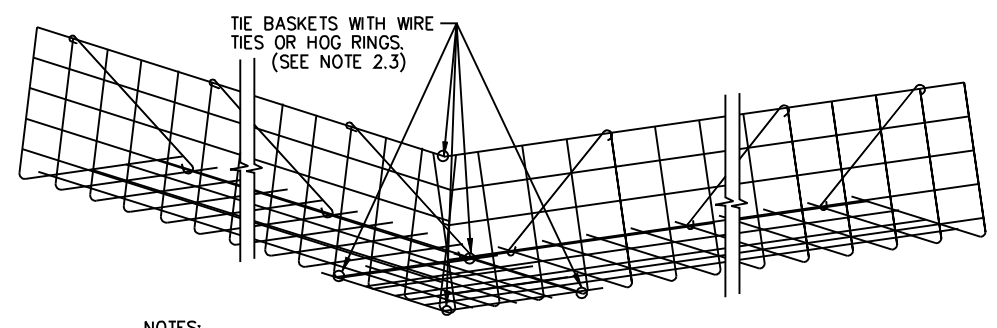
PERCENT COVERAGE	X
100	0
75	1' - 5"
56	3' - 4"

NOTE:
ALTERNATE LAYERS OF UNIAXIAL PRIMARY REINFORCEMENT SHALL BE PLACED IN STAGGERED PATTERN SUCH THAT THE LAYER ABOVE IS CENTERED ON SPACE BELOW.

TYPICAL GEOGRID COVERAGE
NOT TO SCALE

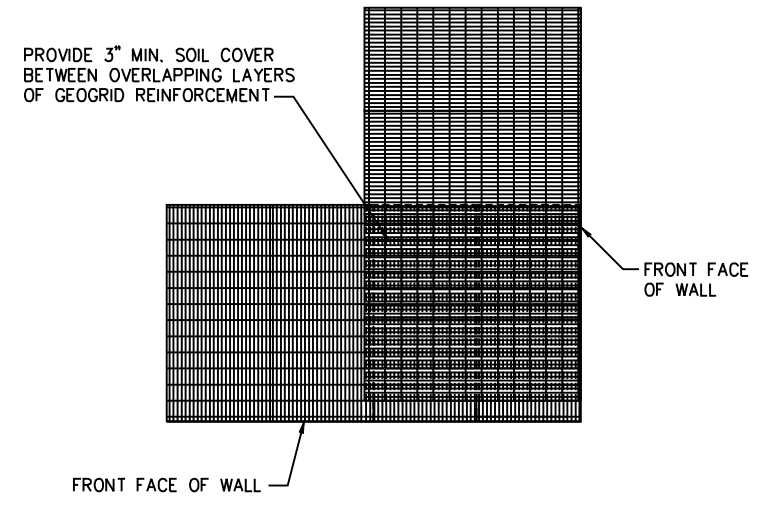


INSIDE CORNER DETAIL
NOT TO SCALE

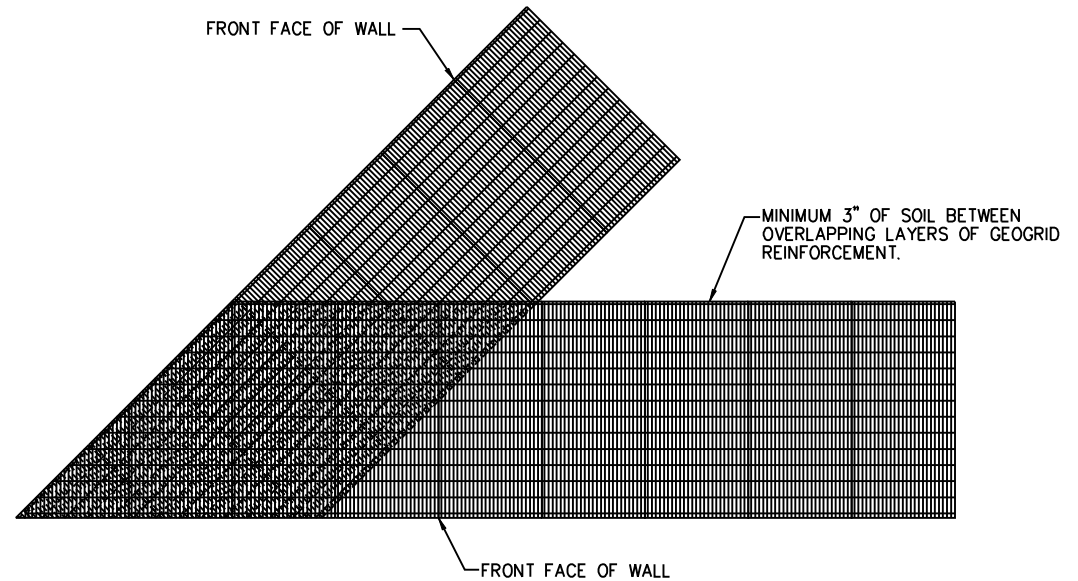


OUTSIDE CORNER DETAIL
NOT TO SCALE

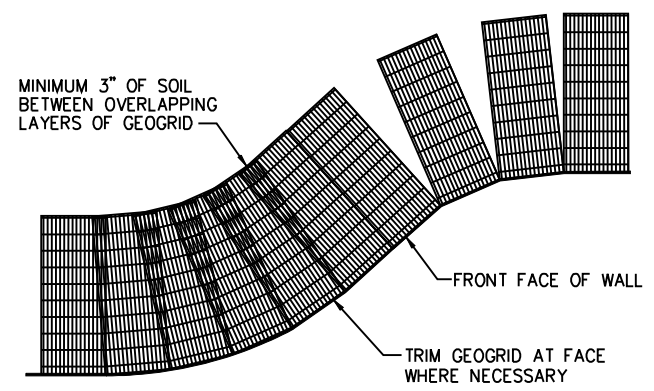
THIS DESIGN IS BASED UPON SPECIFIC PROPERTIES OF TENSAR PRODUCTS (GEOGRIDS, DRAINAGE COMPOSITES AND EROSION MEDIA), WHICH ARE PROPRIETARY TO THE TENSAR CORPORATION 1210 CITIZENS PARKWAY, MORROW GA. 30260. ANY SUBSTITUTION OF THE SPECIFIED PRODUCTS WILL INVALIDATE THIS DESIGN. THIS DRAWING IS BEING FURNISHED FOR USE ON THIS SPECIFIC PROJECT ONLY. ANY PARTY ACCEPTING THIS DOCUMENT DOES SO IN CONFIDENCE AND AGREES THAT IT SHALL NOT BE DUPLICATED WHOLE OR IN PART, NOR DISCLOSED TO OTHERS, WITHOUT THE CONSENT OF TENSAR EARTH TECHNOLOGIES, INC.



GEOGRID 90° CORNER DETAIL
NOT TO SCALE



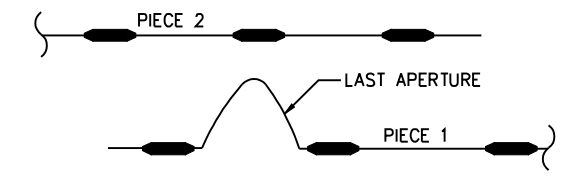
GEOGRID ACUTE CORNER DETAIL
NOT TO SCALE



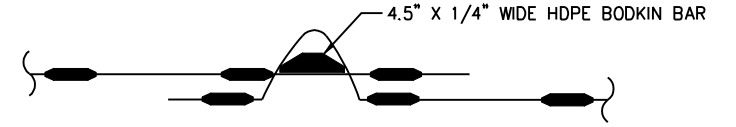
GEOGRID PLACEMENT ON CURVES
NOT TO SCALE

Tensar
Tensor Earth Technologies, Inc.
5883 Glenridge Drive, Ste 200
Atlanta, Georgia 30328
(404) 250-1290

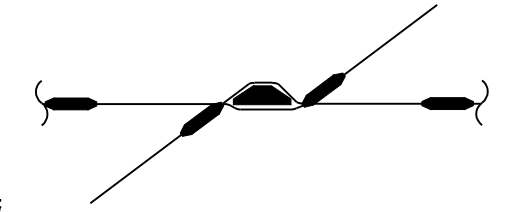
TO FORM A BODKIN CONNECTION FOR SPLICING GEOGRID:
1. BEND THE LAST APERTURE OF ONE PIECE OF GEOGRID AS SHOWN.



2. PASS THE RIBS OF THE BENT APERTURES THROUGH THE RIBS OF THE SECOND PIECE OF GEOGRID AND INSERT THE BODKIN BAR INTO THE SPACE BETWEEN THE TWO GEOGRID LAYERS.

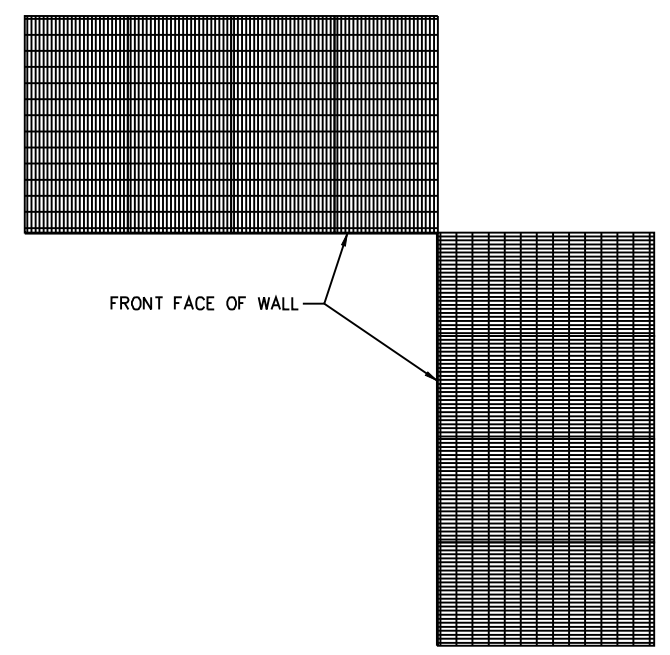


3. PULL GEOGRID TAUT TO TENSION CONNECTION.



NOTE:
IT IS RECOMMENDED THAT THE SPLICED GEOGRID PIECE ON EITHER SIDE OF THE BODKIN CONNECTION BE AT LEAST 6 FEET LONG UNLESS THE GEOGRID TERMINATES IN A FIXED CONNECTION

GEOGRID SPLICE BODKIN CONNECTION
NOT TO SCALE



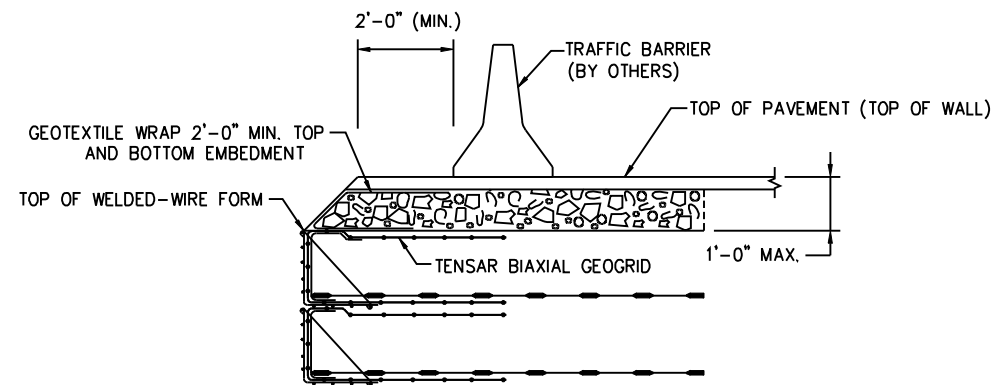
GEOGRID 90° INSIDE CORNER DETAIL
NOT TO SCALE

THIS SYSTEM MAY BE USED IN ALL ENVIRONMENTS

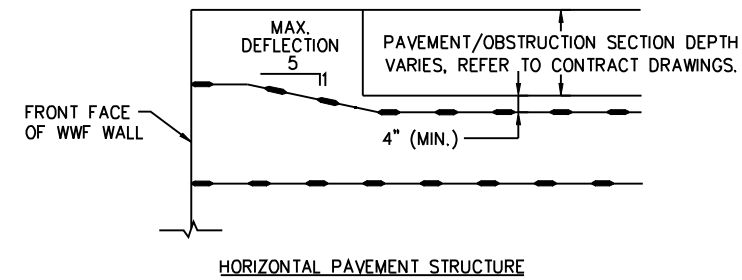
DATE : 01-01-05

INTERIM STANDARD IN ENGLISH UNITS
APPLICABLE TO DESIGN STANDARDS
BOOKLET PUBLISHED IN EITHER ENGLISH
OR METRIC UNITS.

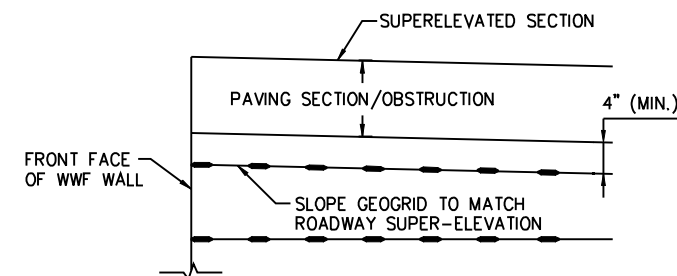
STATE OF FLORIDA DEPARTMENT OF TRANSPORTATION		
RETAINING WALL SYSTEMS TENSAR EARTH TECHNOLOGIES TEMPORARY RETAINING WALL		
INTERIM STANDARD	APPROVED BY William N. Nickas, P.E. State Structures Design Engineer	
SHEET NOS. 1 - 5 OF 5 ARE A REPLACEMENT OF INDEX NO. 5125 OF THE DESIGN STANDARDS BOOKLET DATED JANUARY 2000.	REVISION NO. 04	SHEET NO. 4 of 5
		INDEX NO. 05125



TYPICAL DETAIL FOR TOP OF WALL WITH FLEXIBLE PAVEMENT
NOT TO SCALE



HORIZONTAL PAVEMENT STRUCTURE



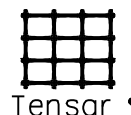
SUPER-ELEVATED PAVEMENT/OBSTRUCTION STRUCTURE

NOTE:
CONTRACTOR IS RESPONSIBLE TO COORDINATE THE PLACEMENT OF THE GEOGRID TO AVOID CONFLICT WITH THE CONTRACT PAVEMENT/OBSTRUCTION SECTION. GEOGRID MUST BE SEPARATED FROM THE PAVEMENT/OBSTRUCTION SECTION BY A MINIMUM OF 4".

GEOGRID PLACEMENT AT PAVEMENT/OBSTRUCTION SECTION
NOT TO SCALE

THIS SYSTEM MAY BE USED IN ALL ENVIRONMENTS

THIS DESIGN IS BASED UPON SPECIFIC PROPERTIES OF TENSAR PRODUCTS (GEOGRIDS, DRAINAGE COMPOSITES AND EROSION MEDIA), WHICH ARE PROPRIETARY TO THE TENSAR CORPORATION 1210 CITIZENS PARKWAY, MORROW GA, 30260. ANY SUBSTITUTION OF THE SPECIFIED PRODUCTS WILL INVALIDATE THIS DESIGN. THIS DRAWING IS BEING FURNISHED FOR USE ON THIS SPECIFIC PROJECT ONLY. ANY PARTY ACCEPTING THIS DOCUMENT DOES SO IN CONFIDENCE AND AGREES THAT IT SHALL NOT BE DUPLICATED WHOLE OR IN PART, NOR DISCLOSED TO OTHERS, WITHOUT THE CONSENT OF TENSAR EARTH TECHNOLOGIES, INC.



Tensar Earth Technologies, Inc.
5883 Glenridge Drive, Ste 200
Atlanta, Georgia 30328
(404) 250-1290

DATE : 01-01-05

INTERIM STANDARD IN ENGLISH UNITS
APPLICABLE TO DESIGN STANDARDS
BOOKLET PUBLISHED IN EITHER ENGLISH
OR METRIC UNITS.

STATE OF FLORIDA DEPARTMENT OF TRANSPORTATION		
RETAINING WALL SYSTEMS TENSAR EARTH TECHNOLOGIES TEMPORARY RETAINING WALL		
INTERIM STANDARD	APPROVED BY William N. Nickas, P.E. State Structures Design Engineer	
SHEET NOS. 1 - 5 OF 5 ARE A REPLACEMENT OF INDEX NO. 5125 OF THE DESIGN STANDARDS BOOKLET DATED JANUARY 2000.	REVISION NO.	INDEX NO.
	04	5 of 5
		05125