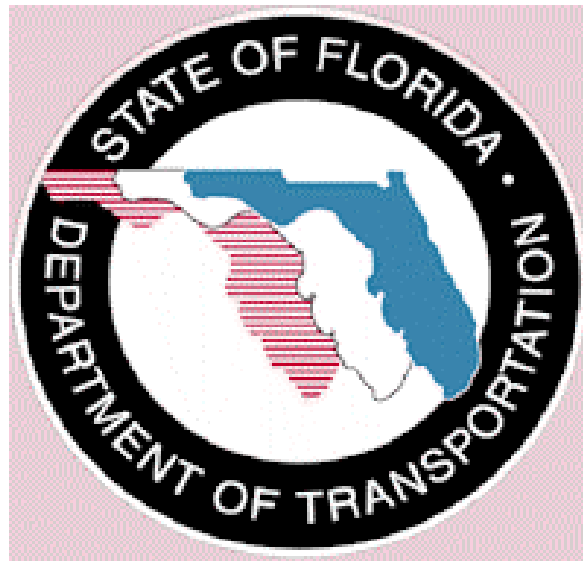


**STRUCTURES DESIGN GUIDELINES
FOR
LOAD AND RESISTANCE
FACTOR DESIGN**



**STRUCTURES DESIGN OFFICE
TALLAHASSEE, FLORIDA
JANUARY 2002**

Table of Contents

INTRODUCTION

CHAPTER 1	GENERAL REQUIREMENTS
CHAPTER 2	SITE AND MATERIAL DURABILITY CRITERIA
CHAPTER 3	LOADS AND LOAD FACTORS
CHAPTER 4	FOUNDATIONS
CHAPTER 5	SUBSTRUCTURES ELEMENTS
CHAPTER 6	SUPERSTRUCTURE ELEMENTS
CHAPTER 7	CONCRETE STRUCTURES
CHAPTER 8	STEEL BRIDGE STRUCTURES
CHAPTER 9	WIDENING AND REHABILITATION\
CHAPTER 10	MOVABLE BRIDGE REQUIREMENTS
CHAPTER 11	BRIDGE COST ESTIMATING

INTRODUCTION

I.1 Purpose.....	I-1
I.2 Authority	I-1
I.3 Scope	I-1
I.4 General.....	I-1
I.5 Reference Documents	I-2
I.6 Abbreviations	I-2
I.7 Distribution	I-2
I.8 Registration	I-2
I.9 Administrative Management	I-3
I.9.1 The Technical Advisory Group (TAG).....	I-3
I.9.2 SDO Staff.....	I-3
I.10 Modifications and Improvements.....	I-3
I.11 Adoption of Revisions.....	I-3
I.11.1 Temporary Design Bulletins	I-3
I.11.2 Permanent Revisions	I-4
I.12 Training	I-5
I.13 Forms.....	I-5

INTRODUCTION

STRUCTURES DESIGN GUIDELINES

I-1 Purpose

The **Structures Design Guidelines (SDG)**, sets forth the basic Florida Department of Transportation (FDOT) design criteria that are exceptions to those included in the **AASHTO/LRFD Bridge Design Specifications** published in Customary U.S. Units by the American Association of State Highway and Transportation Officials (AASHTO) for Load and Resistance Factor Design (LRFD), and hereinafter simply referred to as "**LRFD**." These exceptions may be in the form of deletions from, additions to, or modifications of the **LRFD** specifications. **AASHTO/LRFD** and the **Structures Design Guidelines (SDG)** must always be used jointly and in concert with the FDOT's **Plans Preparation Manual (PPM)** in order to properly prepare the contract plans and specifications for structural elements and/or systems that are included as part of the construction work in FDOT projects. Such elements and/or systems include, but are not necessarily limited to, bridges, overhead sign structures, earth retaining structures, and miscellaneous roadway appurtenances.

I-2 Authority

Section 334.044(2), Florida Statutes.

I-3 Scope

The use of this manual is required of anyone performing structural design or analysis for the Florida Department of Transportation.

I-4 General

This manual consists of text, figures, charts, graphs, and tables as necessary to provide engineering standards, criteria, and guidelines to be used in developing and designing structures for which the Structures Design Office (SDO) and District Structures Design Offices (DSDO) have overall responsibility. The manual is written in the same general format and specification-type language as **LRFD** and includes article-by-article commentary when appropriate. In addition to its companion documents referenced in Article I.1 above, the manual is intended to complement and be used in conjunction with the SDO's **Standard Drawings, CADD User's Manual**, and the **Standard Specifications for Road and Bridge Construction**.

I-5 Referenced Documents

Other FDOT manuals referenced in this document include:

Plans Preparation Manual, Volume 1	(Topic No.: 625-000-007)
Plans Preparation Manual, Volume 2	(Topic No.: 625-000-008)
Detailing Manual	(Topic No.: 625-020-200)
Drainage Manual	(Topic No.: 625-040-001)
Standard Drawings	(Topic No.: 625-020-300)
CADD User's Manual	

I-6 Abbreviations

AASHTO	American Association of State Highway and Transportation Officials
DSDE	District Structures Design Engineer
DSDO	District Structures Design Office
FHWA	Federal Highway Administration
FDOT	Florida Department of Transportation
LRFD	Load and Resistance Factor Design
PPM	Plans Preparation Manual
SDG	Structure Design Guidelines
SDO	Structures Design Office
SSDE	State Structures Design Engineer
TAG	Technical Advisory Group

I-7 Distribution

This **SDG** is furnished via the SDO web page (www11.myflorida.com/structures) at no charge. It is the responsibility of the designer to regularly check for additions, modifications, and bulletins. Questions regarding this manual and any modifications may be obtained from the following office and address:

Structures Design Office
Mail Station 33
605 Suwannee Street
Tallahassee, Florida 32399-0450
Tel.: (850) 414-4255
www11.myflorida.com/structures/

I-8 Registration

This manual no longer contains a registration page. It is incumbent upon the user to keep abreast of changes via the SDO web page.

I-9 Administrative Management

Administrative Management of the **Structures Design Guidelines (SDG)** is a cooperative effort of SDO staff and the nine voting members of the Technical Advisory Group (TAG).

I.9.1 The Technical Advisory Group (TAG)

The TAG provides overall guidance and direction for the **SDG** and has the final word on all proposed modifications. The TAG comprises the State Structures Design Engineer (SSDE) and the eight District Structures Design Engineers (DSDE). In matters of technical direction or administrative policy, when unanimity cannot be obtained, each DSDE has one vote, the SSDE has two votes, and the majority rules.

I.9.2 SDO Staff

SDO Staff comprises the Assistant State Structures Design Engineers and Senior Structures Design Engineers selected by the SSDE.

I.10 Modifications And Improvements

All manual users are encouraged to suggest modifications and improvements to the **SDG**. Modifications to the manual are the direct result of changes in FDOT specifications, FDOT organization, Federal Highway Administration (FHWA) regulations, and AASHTO requirements; or occur from recent experience gained during construction, through maintenance, and as a result of research. Users have suggested many other improvements to the manual. This has been particularly true with suggestions to improve the clarity of the text and to include design criteria not previously addressed by the manual or by any accompanying code or specification. Transmit, suggestions in writing to the State Structures design Engineer, 605 Suwannee St, (ms 33), Tallahassee, FL 32399

I.11 Adoption of Revisions

Revisions to the **SDG** are issued by the SDO as Temporary Design Bulletins or Permanent Revisions according to a formal adoption process. Temporary Design Bulletins provide the SDO with the flexibility to quickly address any modification considered by the SDO to be essential to production or structural integrity issues.

I.11.1 Temporary Design Bulletins

A **Temporary Design Bulletin(TDB)** is a revision to the **SDG** that is deemed by the SSDE to be mandatory and in need of immediate implementation. **TDB's** may

address issues in plans production, safety, structural design methodology, critical code changes, or new specification requirements.

TDB's supercede the requirements of the current version of the **SDG** and may be issued at any time. **TDB's** are not official or effective until signed by the State Structures Design Engineer.

TDB's are effective for up to 360 calendar days unless superceded by subsequent **TDB's** or Permanent Revisions to the **SDG**. **TDB's** automatically become proposed Permanent Revisions unless withdrawn from consideration by the SSDE.

TDB's indicate their effective date of issuance, include the reference Topic Number, are numbered sequentially with reference to both the **SDG** version number and year of issuance, and are on color-coded paper. For example, Temporary Design Bulletin No. C98-2 would be the second Bulletin issued in 1998 for **SDG**.

I.11.2 Permanent Revisions

Permanent Revisions to the manual are made annually or "as-needed." If the SDO considers an individual revision, or an accumulation of revisions, to be substantive, the manual will be completely reprinted. Otherwise, color-coded pages will be published for insertion into the most recently printed manual. The following steps are required for adoption of a revision to the manual.

A. Revision Assessment

SDO Staff will assess proposed revisions and develop the initial draft of all proposed **SDG** modifications for the SSDE's approval.

B. Revision Research and Proposal

The SDO Staff will conduct the necessary research, coordinate the proposed modification with all other affected offices and, if the proposed modification is deemed appropriate, prepare a complete, written modification with any needed commentary. The SSDE's approval signifies the SDO's position on the proposed modifications.

C. Revision Distribution to TAG and Other Review Offices

Proposed modifications will be mailed to TAG members and others allowing for no less than two weeks review time before the next scheduled TAG meeting. Other parties include, but are not limited to: State Construction Office, State Maintenance Office, State Materials Office, State Roadway Design Office, Organization, Forms and Procedures, and FHWA.

DSDE members of TAG will coordinate the proposed modifications with all other appropriate offices at the district level.

D. Revision Review by TAG and SDO

Each TAG member will review proposed modifications prior to the meeting where they will be brought forward for discussion. The SDO will review all modification comments received from other FDOT/FHWA offices in preparation for presentation at the meeting.

Additional review comments received by the SDO and/or DSDO's during the review process will be presented for discussion and resolution.

E. TAG Adoption Recommendation

Immediately after the TAG meeting, each proposed modification will be returned to the SDO with one of the following recommendations:

- 1.) Recommended for adoption as presented.
- 2.) Recommended for adoption with resolution of specific changes.
- 3.) Not recommended for adoption.

F. Revision Recommendations to SSDE

Within two weeks after the TAG meeting, the SDO Staff will resolve each recommended modification and the assembled modifications will be provided to the SSDE for final approval.

G. Revision Adoption and Implementation

Once approved by the SSDE, the **SDG** revision modifications will be assigned to the Design Technology Group Leader for final editing.

H. Official Distribution of Revisions as New SDG Version

Unless agreed otherwise, the **SDG** version modifications will be distributed within 4 weeks after receipt of the approved modifications from the SSDE.

This time frame allows the Organization and Procedures Office to update the Standard Operating System and any electronic media prior to hardcopy distribution of the **SDG**.

I.12 Training

No specific training is necessary for the use of this manual. Major revisions are often presented and discussed at the biennial Structures Design Conference.

I.13 Forms

This manual requires no forms.

CHAPTER 1

GENERAL REQUIREMENTS

1.1 Introduction	1-1
1.2. Format.....	1-1
1.3. Coordination.....	1-1
1.4. Box Girder Inspection and Access Requirements	1-2
1.4.1 Box Girder Height [2.5.2.6.3].....	1-2
1.4.2 Electrical Service	1-2
1.4.3 Inspection and Maintenance Access.....	1-2
1.4.4 Exterior Holes	1-2
1.4.5 Steel Box Girder Interior Painting.....	1-2
1.4.6 Inspection and Access Requirements of Other Box Sections.....	1-3
1.5. Special Requirements for Movable Bridges	1-3
1.6. Existing Structures with Hazardous Material	1-3

CHAPTER 1

GENERAL REQUIREMENTS

1.1 Introduction

These **Structures Design Guidelines**, (**SDG**) incorporate technical design criteria only and supersede the requirements of **the AASHTO/LRFD Bridge Design Specifications**, Second Edition (1998 with latest interim standards), hereinafter referred to as "**LRFD**," either by additions, deletions, or modifications.

Because the **SDG** is designed to supplement the technical design requirements of **LRFD** for bridges and structures for the Florida Department of Transportation, and to help facilitate the plans production process for the Department, all general administrative, geometric, shop drawing, and plans processing requirements have been incorporated in the **Plans Preparation Manual** (PPM)(Topic No.: 625-000-007)

1.2 Format

The **SDG** chapters are organized more by "component," "element," or "process" than by "material" as for the **LRFD**. As a result, the chapter numbers and content of the **SDG** do not necessarily align themselves in the same order or with the same number as **LRFD**. However, **LRFD** references are provided whenever possible so that the designer may quickly coordinate and associate **SDG** criteria with that of **LRFD**. The **LRFD** references may occur within article descriptions, the body of the text, or in the commentary. Such references are shown in bold-face type within brackets; i.e., [1.3], [8.2.1], etc.

1.3 Coordination

The designer shall fully coordinate all plans production activities and requirements between the **SDG**, **PPM**, and **LRFD**. Each of these documents has criteria pertaining to bridge or structures design projects, and, normally, all three must be consulted to assure proper completion of a project for the Department.

Questions concerning the applicability or requirements of any of these or other referenced documents to a structures project for the Department shall be addressed to the appropriate Structures Design Engineer for resolution.

1.4 Box Girder Inspection and Access Requirements

Accessibility to box girders and the safety of bridge inspectors and maintenance personnel shall be appropriately evaluated during preliminary engineering and shall be adequately considered when selecting the configuration of the structure.

1.4.1 Box Girder Height [2.5.2.6.3]

The minimum desirable interior, clear height of box girders for inspection and maintenance access is 6 feet. Any height less than 6 feet will require approval from the SDO. In structures where the box depth required by structural analysis is less than 5 feet, the SDO and the District Structures and Facilities Engineer shall be consulted for a decision on the box height and access details.

1.4.2 Electrical Service

Box girder bridges shall include interior lighting and electrical outlets in all boxes which shall be detailed in accordance with SDO's *Standard Drawings*.

1.4.3 Inspection and Maintenance Access

Exterior access to box girders shall be provided through the bottom flange near the abutments, and near the end of each continuous unit. Exterior access openings and interior openings in diaphragms, etc. preferably shall have minimum rectangular dimensions of 32 inches by 42 inches. The openings shall not be used for utilities or other attachments. Exterior openings shall be covered by a hinged door that opens inward, shall have a hasp and lock, and shall be located in the bottom flange. Bottom flange access openings shall be sized and located with consideration given to the structural effects on the girder and to the safety of the inspectors and traveling public. Access locations over traffic lanes and locations that will require extensive maintenance of traffic operations shall be avoided.

1.4.4 Exterior Holes

Ventilation or drain holes of 2 inches minimum diameter shall be provided in each box girder at a spacing of approximately 50 feet or as needed to provide proper drainage. All exterior holes in box girders not covered by a door shall be covered by a screen of not more than 0.25 inches mesh opening to prevent wildlife from entering the box. This includes holes in webs through which drain pipes pass, ventilation holes, drain holes, and openings in diaphragms at abutments and at expansion joints.

1.4.5 Steel Box Girder Interior Painting

When structural steel is to be painted, the interior of box girders shall be painted white or gray. The color of zinc primer is acceptable for use.

1.4.6 Inspection and Access Requirements of Other Box Sections

Accessibility to other box sections such as precast hollow pier segments shall be provided in a manner similar to that for box girders, particularly concerning the safety of bridge inspectors and maintenance personnel. As with box girders, the need for proper inspection and access shall be appropriately evaluated during preliminary engineering and shall be adequately considered when selecting the configuration of the structure.

Because of the possible variety of shapes and sizes of hollow sections such as precast concrete pier segments as well as the numerous possible different site constraints and environmental conditions that may exist, each such application shall be considered on an individual, project-by-project basis. In all such cases, however, the SDO shall be contacted for guidance in providing adequate inspection access and safety measures.

Precast, pretensioned Florida U-beams are exempted from special requirements for inspection and access.

1.5 Special Requirements for Movable Bridges

Because the criteria for the mechanical and electrical design aspects of movable bridges are not addressed in *LRFD*, a comprehensive description of the engineering services required by the Department for preparing plans for movable bridge projects is included in Chapter 10.

1.6 Existing Structures with Hazardous Material

In order to comply with the regulations of the Occupational Safety and Health Administration (OSHA) and the Environmental Protection Agency (EPA) for the handling and disposal of hazardous materials, it is critical on all projects to determine if any existing structure contains hazardous materials; e.g., lead-based paint, asbestos-graphite bearing pads, etc. The determination must be made from information provided by the Department about each structure, or by site testing, as appropriate. If an existing structure is determined to contain hazardous materials and any work is to be performed that will disturb the material such as new painting or the repair, demolition, welding, or removal of existing structural members, the project documents shall include the necessary requirements for protecting the workers and for proper handling and disposal of the material.

Assistance in preparing the construction documents for those projects that include demolition and removal of members containing hazardous material as well as those that involve overcoating of existing hazardous material such as lead-based paint shall be obtained from the FDOT design project manager. The assistance will include furnishing the technical special provision required for the project and for the particular hazardous material.

NOTE: No project on which any existing structure contains hazardous material shall be developed without adequate provisions for worker safety, handling, storage, shipping, and disposal of the hazardous material and/or its waste.

CHAPTER 2

SITE AND MATERIAL CRITERIA

2.1 General	2-1
2.2 Establishment of Environmental Classification.....	2-1
2.3 Definition of Environmental Classification	2-2
2.3.1 Substructure for the conditions of the soil and/or water:.....	2-2
2.3.2 Superstructure	2-2
2.3.3 Substructure and Superstructure Definitions for Environmental Consideration.....	2-2
2.3.4 Chloride Content Determinations.....	2-3
2.4 Concrete Structures [5.12.1]	2-4
2.4.1 Concrete Cover	2-4
2.4.2 Concrete Class and Admixtures for Corrosion Protection.....	2-4
2.4.3 Penetrant Sealers.....	2-5
2.5 Stay-in-Place Forms.....	2-5
2.6 Epoxy Coated Reinforcing Steel.....	2-6
2.7 Construction Joints in Drilled Shafts.....	2-6
2.8 Steel Structures.....	2-6
2.8.1 Corrosion Protection System	2-6
2.8.2 Uncoated Weathering Steel.....	2-6
2.8.3 Superstructure Joint and Drainage Considerations:	2-7
2.8.4 Single Coat Inorganic Zinc Coating	2-7
2.8.5 Galvanizing.....	2-7

CHAPTER 2

SITE AND MATERIAL CRITERIA

2.1 General

This Chapter clarifies, supplements, and contains deviations from the information in **LRFD** Sections [2], [5], and [6]. These combined requirements establish material selection criteria for durability to meet the 75-year design life requirement established by the Department.

2.2 Establishment of Environmental Classification

All new bridge sites shall be environmentally classified by the District Materials Engineer or the Department's Environmental/Geotechnical Consultant. Additionally, the need for environmental classification shall be considered as a criterion for minor widenings and is required for major widenings, which are defined in Chapter 9. The work shall be accomplished prior to or during the development of the **Bridge Development Report (BDR)**/30% Plans Stage, and the results shall be included in the documents. The bridge site shall be tested, and separate classifications for superstructures and substructures shall be provided.

The bridge plan "General Notes" shall include the environmental classification for both the superstructure and substructure according to the following classifications:

- 1.) Slightly Aggressive
- 2.) Moderately Aggressive
- 3.) Extremely Aggressive

For the substructure, additional descriptive data is required to supplement the environmental classification. The source and magnitude of the environmental classification parameter(s) resulting in the classification shall be contained in parentheses after the classification.

Commentary:

As an example, for a proposed bridge located in a freshwater swampy area where the substructure is determined to be in an Extremely Aggressive environment due to low soil pH of 4.5 and the superstructure to be in a Slightly Aggressive environment, the format on the bridge plans will be:

ENVIRONMENTAL CLASSIFICATION:

Substructure: Extremely Aggressive (Soil - pH = 4.5)

Superstructure: Slightly Aggressive

2.3 Definition of Environmental Classification

Bridge substructure and superstructure environments shall be classified as Slightly Aggressive, Moderately Aggressive, or Extremely Aggressive environments according to the following criteria.

2.3.1 Substructure for the conditions of the soil and/or water:

- A. Slightly Aggressive when **all** of the following conditions exist:
 - 1.) pH greater than 6.6.
 - 2.) Resistivity greater than 3,000 ohm-cm.
 - 3.) Chlorides less than 500 ppm.
- B. Moderately Aggressive: This classification shall be used at all sites not meeting requirements for either Slightly Aggressive or Extremely Aggressive Environments.
- C. Extremely Aggressive when **any one** of the following conditions exists:
 - 1.) For concrete structures: pH less than 5.0.
 - 2.) For steel structures: pH less than 6.0.
 - 3.) Resistivity less than 500 ohm-cm.
 - 4.) Sulfates greater than 1,500 ppm.
 - 5.) Chlorides greater than 2,000 ppm.

2.3.2 Superstructure

The following environmental classifications apply:

- A. Slightly Aggressive:
Any superstructure situated in an environment that is not classified either as Moderately or Extremely Aggressive (see Figure 2-1).
- B. Moderately Aggressive:
Any superstructure located within 2,500 ft. of any coal burning industrial facility, pulpwood plant, fertilizer plant or any other similar industry where, in the opinion of the District Materials Engineer, a potential environmental corrosion condition exists, or any other specific conditions and/or locations described in Figure 2-1.
- C. Extremely Aggressive:
Any superstructure situated in an area such that a combination of environmental factors indicates that significant corrosion potential exists, or with specific conditions and/or locations described in Figure 2-1.

2.3.3 Substructure and Superstructure Definitions for Environmental Consideration

The division between the substructure and the superstructure shall be as stated in the FDOT **Standard Specifications for Road and Bridge Construction**, Section 1, except as noted below.

- A. Box culverts, retaining wall systems (including MSE walls), sound barriers on structures and bulkheads are substructures.
- B. The substructure shall not be classified less severely than the superstructure.
- C. Approach slabs shall be considered as superstructure; however, Class II Concrete (Bridge Deck) will be used for all environmental classifications.

2.3.4 Chloride Content Determinations

- A. The chloride content of the water and soil at the proposed bridge site will be determined and/or approved by the District Materials Engineer using established procedures and test methods.
- B. The chloride content of major bodies of water within 2,500 feet of the proposed bridge site will, in most instances, be available in the Department's Bridge Corrosion Analysis database. In the unlikely event chloride values are unavailable, the major body of water must be tested unless it is known to be a freshwater body.
- C. Generally, all superstructures that are situated within line-of-sight and within 2,500 feet of the Atlantic Ocean or the Gulf of Mexico are subject to increased chloride intrusion rates on the order of 0.0016 lbs/cy/year at a 2-inch concrete depth. The intrusion rate decreases rapidly with distance from open waters and/or when obstacles such as rising terrain, foliage or buildings alter wind patterns. In order to optimize the materials selection process, the Designer and/or District Materials Engineer shall have the option of obtaining representative cores for determination of chloride intrusion rates for any superstructure situated within 2,500 feet of any major body of water containing more than 12,000 ppm chlorides. Cores shall be taken from bridge superstructures in the immediate area of the proposed superstructure and in sufficient number as to represent the various deck elevations. The sampling plan for such structures shall be coordinated with the State Corrosion Engineer. The District Materials Engineer shall be responsible for obtaining cores. The chloride content and intrusion rates of core samples shall be determined by the State Materials Office, Corrosion Laboratory, where a database of such data is maintained. In the absence of core samples and testing all such superstructures shall be classified as Extremely Aggressive.

After representative samples are taken and tested, Table 2.1 shall be used to correlate the core results (the chloride intrusion rate in lbs/cy /year at a depth of 2 inch) with the classification.

Table 2.1 Chloride Intrusion Rate/Environmental Classification

CHLORIDE INTRUSION RATE	CLASSIFICATION
≥ 0.0016 lbs/cy/year	Extremely Aggressive
< 0.0016 lbs/cy/year	Moderately Aggressive

2.4 Concrete Structures [5.12.1]

2.4.1 Concrete Cover

Delete AASHTO *LRFD* Article 5.12.3 and substitute the following requirements:

The requirements for concrete cover over reinforcing steel are listed in Table 2.2. Examples of concrete cover are shown in Figures 2.2 through 2.5.

When deformed reinforcing bars are in contact with other embedded items such as post-tensioning ducts, the actual bar diameter, including deformations, must be taken into account in determining the design dimensions of concrete members and in applying the design covers of Table 2.2.

2.4.2 Concrete Class and Admixtures for Corrosion Protection

The “General Notes” for both bridge plans and wall plans require the clear identification of, and delineation of use for, concrete class and admixtures used for strength and durability considerations.

A. Concrete Class Requirements:

When the environmental classifications for a proposed structure have been determined, then those portions of the structure located in each classification shall use the class of concrete described in Table 2.3 for the intended use and location unless otherwise directed or approved by the Department.

Unless otherwise specifically designated or required by the FDOT, the concrete strength utilized in the design shall be consistent with the 28-day compressive strength given in the *FDOT Standard Specification Section 346*.

Commentary:

Example:

Component - submerged piling

Environment - Extremely Aggressive over saltwater

Concrete Class - Table 2.3 Class V (Special)

Quality Control and Design Strength at 28 days - 6,000 psi

B. Admixtures for Corrosion Protection:

Primary components of structures located in Moderately or Extremely Aggressive environments utilize Class IV, V, V (Special), or VI Concrete. These concrete classes use fly ash, slag, microsilica, and/or cement type to reduce permeability.

Structures located in Extremely Aggressive marine environments may require additional measures as defined below. These additional measures and their location must be clearly identified in the “General Notes”. Technical Special Provisions to the specifications may be required for their implementation.

The use of concrete admixtures to enhance durability shall be consistent with these guidelines; however, if deemed necessary the EOR may request that additional measures be used. The State Corrosion Engineer and the State Structures Design Engineer must approve these additional measures.

1.) Corrosion Inhibitor - Calcium Nitrite:

When the environmental classification is Extremely Aggressive due to the presence of chloride in the water, specify calcium nitrite for the following conditions:

- a.) In all superstructure components situated less than 12 feet above Mean High Water (MHW) .
- b.) In all retaining walls, including MSE walls situated less than 12 feet above MHW and within 300 feet of the shoreline.

2.) Microsilica (Silica Fume):

When the environmental classification is Extremely Aggressive due to the presence of chloride in the water, specify microsilica in the "splash zone" of all piles, columns or walls. Microsilica may be specified for the entire pile, column or wall but shall not be specified for drilled shafts.

The splash zone is the 18-foot vertical distance from 6 feet below to 12 feet above MHW.

2.4.3 Penetrant Sealers

On bridge widening projects where the existing bridge deck does not conform with the current reinforcing steel cover requirement and the superstructure environment is classified as Extremely Aggressive due to the presence of chlorides, and the existing deck is to be grooved, specify penetrant sealers for the existing bridge deck after grooving. Do not specify penetrant sealers for new bridge structures or if the existing deck is not to be grooved,

A note and a sketch describing the concrete surfaces to be coated with penetrant sealer shall be included in the "General Notes" of the bridge plans. Refer to Chapter 9 for requirements for grooving widened bridges.

2.5 Stay-in-Place Forms

The "General Notes" for each bridge project shall include a note clearly stating whether or not Stay-in-Place Forms are permitted for the project and how the design was modified for their use; e.g., dead load allowance. The use of composite Stay-in-Place Forms is not permitted.

A. Metal Stay-in-Place Forms:

Metal Stay-in-Place forms shall not be used in moderately aggressive or extremely aggressive environments; except, Metal Stay-in-Place forms may

be used for the internal portions of box girders (closed portions between webs) without exception.

B. Concrete Stay-in-Place Forms:

Concrete Stay-in-Place forms may be used for all environmental classifications without exception; however, the bridge plans must be specifically designed, detailed and prepared for their use.

2.6 Epoxy Coated Reinforcing Steel

Epoxy coated reinforcing steel shall not be used in any bridge element or other highway related structure.

2.7 Construction Joints in Drilled Shafts

Drilled shafts used in bents located in water containing more than 2000 ppm chloride shall be detailed to extend without a construction joint a minimum of 12 feet above the Mean High Water elevation or bottom of the bent cap, whichever is lower.

Commentary:

It is preferred that taller shafts extend to the bottom of the bent cap without a construction joint.

2.8 Steel Structures

2.8.1 Corrosion Protection System

Either uncoated weathering steel or a three-coat inorganic zinc coating system shall be used for corrosion protection. The use of any corrosion protection system other than the three coat inorganic zinc coating system requires the concurrence of the *SDO* or the *DSDO*. Coating color for the three-coat system is part of the aesthetic treatment and requires concurrence by the *DSDO*.

2.8.2 Uncoated Weathering Steel

The design and use of weathering steel for bridges shall conform with the guidelines in FHWA Technical Advisory T5140.22 and the criteria stated herein.

Suitable locations for the use of weathering steel without long-term, on-site panel testing shall be classified with an environmental classification of Slightly Aggressive for Superstructures (See Figure 2-1.)

Weathering steel requires the use of ASTM A325 Type 3 bolts.

Painting of the exterior girder/fascia may be required for aesthetic appearance.

Commentary:

Generally, weathering steel should be combined with jointless deck construction and, preferably, integral abutments.

2.8.3 Superstructure Joint and Drainage Considerations:

- A. The use of scuppers for deck drainage shall be minimized. Scuppers or deck drains shall pipe the drainage to the ground or use extended downspouts.
- B. Crevice creating details shall be eliminated when possible; therefore, the use of stiffeners and bracing should be minimized.

2.8.4 Single Coat Inorganic Zinc Coating

Suitable locations for the use of single coat inorganic zinc coating without on site testing will meet or exceed the criteria stated herein.

- A. General Criteria: Environments classified as Slightly Aggressive for Superstructure.
- B. Site Specific Criteria:
 - 1.) Locations where the pH of the rainfall or condensation is between 4-10.
 - 2.) Locations not subjected to salt spray or salt laden run-off.
 - 3.) Locations not subjected to concentrated acid pollution caused by the following sources: coal burning power plant; phosphate plant; acid manufacturing plant; any site yielding high levels of sulfur compounds.

Commentary:

Inorganic zinc coatings (either gray or green) quickly fade in approximately 3 months to a uniform gray color similar to Federal Color Standard Number 37866. For color, the fascia of the exterior girders can be coated with the three-coat inorganic zinc system.

2.8.5 Galvanizing

- A. Galvanizing of Bolts for Bridges:

Normally, all anchor bolts, tie-down hardware, and miscellaneous steel (ladders, platforms, grating, etc.) are to be hot-dip galvanized. While ASTM A307 (coarse thread) bolts shall be hot-dip galvanized, A325 (fine thread) bolts must be mechanically galvanized when utilized with galvanized steel components. Other applications not requiring full tensioning of the bolts may use hot-dip galvanized A325 bolts.

B. Galvanizing of Bolts for Miscellaneous Structures

Bolts for connections of structural steel members of Miscellaneous Structures other than bridges, including overhead sign structures, traffic mast arms, ground-mounted signs, etc., shall be hot-dip galvanized.

Table 2.2 Minimum Concrete Cover Requirements For Design and Detailing

ITEM DESCRIPTION	CONCRETE COVER (in)	
	S ⁽¹⁾ or M ⁽²⁾	E ⁽³⁾
Superstructure (Precast) Internal and external surfaces (except riding surfaces) of segmental concrete boxes, and external surfaces of prestressed beams (except the top surface).	2	2
Top surface of girder top flange.	1	1
Top deck surfaces. Short Bridges	2	2
Long Bridges	2 ½ ⁽⁴⁾	2 ½ ⁽⁴⁾
All components and surfaces not included above (including barriers).	2	2
Superstructure (Cast-in-Place) All external and internal surfaces (ex. top surfaces)	2	2
Top deck surfaces Short Bridges ⁽⁵⁾	2	2
Long Bridges ⁽⁵⁾	2 ½ ⁽⁴⁾	2 ½ ⁽⁴⁾
Substructure (Cast-in-Place) External surfaces cast against earth and surfaces in contact with water	4	4½
External formed surfaces, columns, and tops of footings not in contact with water	3	4
Internal surfaces	3	3
Top of Girder Pedestals	2	2
Substructure (Precast)	3	4
Prestressed Piling (Including cylinder piling)	3	3
Drilled Shafts	6	6
Retaining Walls (Cast-in-Place or Precast)	2	3
Culverts (Cast-in-Place or Precast)	2	3
Bulkheads (Cast-in-Place)	4	4

NOTES:

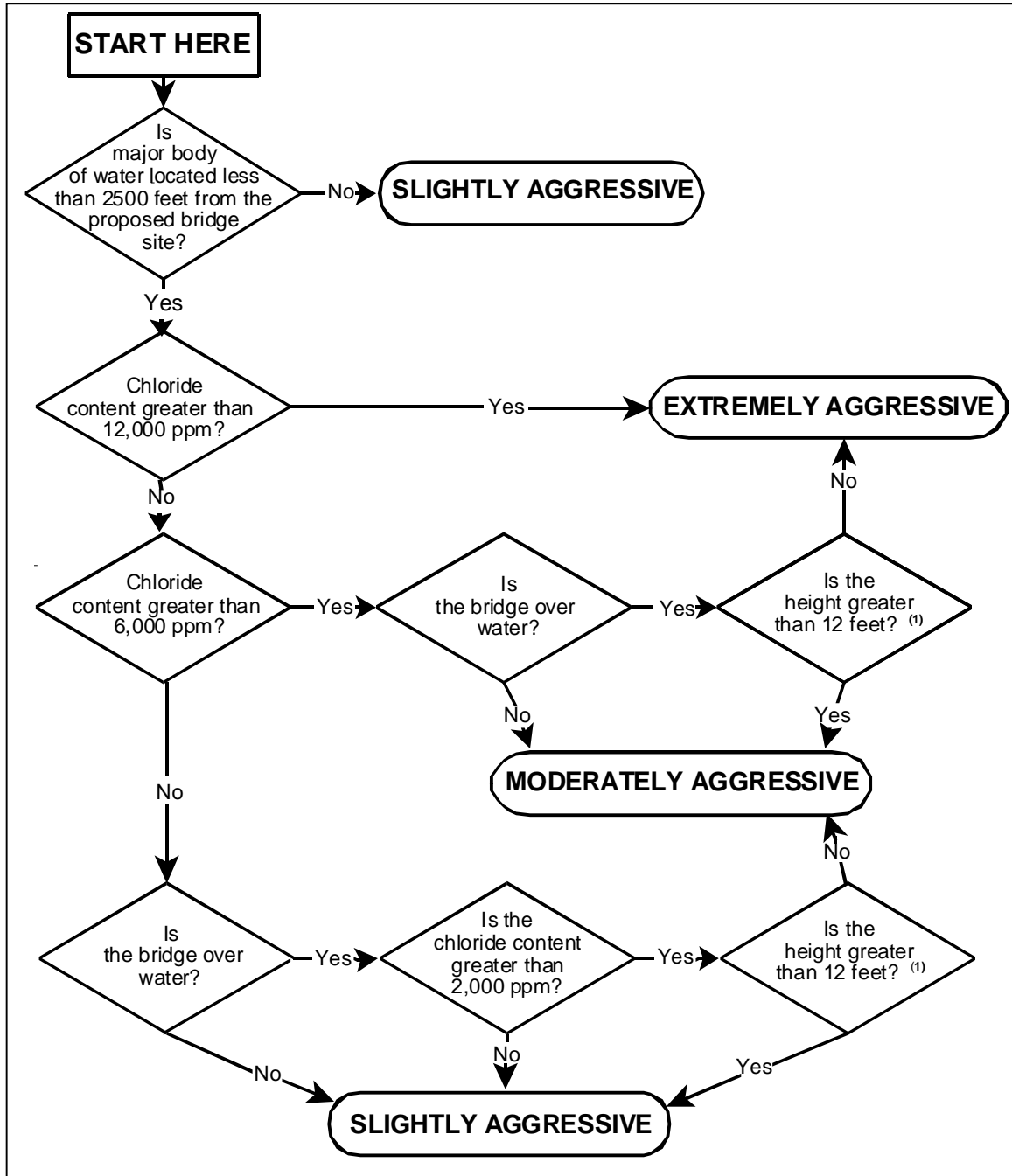
S= Slightly Aggressive; M= Moderately aggressive; Cover dimension includes a 0.5 inch allowance for milling; See Short & Long Bridge Definitions in Chapter 7.

Table 2.3 Structural Concrete Class Requirements

CONCRETE LOCATION AND USAGE		ENVIRONMENTAL CLASSIFICATION		
		Slightly Aggressive	Moderately Aggressive	Extremely Aggressive ⁽¹⁾
S U P E R S T R U C T U R E	Cast-In-Place (Other Than Bridge Decks)	Class II	Class IV	Class IV
	Cast-In-Place Bridge Decks (Incl. Diaphragms)	Class II (Bridge Deck)	Class IV	Class IV
	Approach Slabs	Class II (Bridge Deck)	Class II (Bridge Deck)	CLASS II (Bridge Deck)
	Precast Or Prestressed	Classes III, IV, V OR VI	Classes IV, V, OR VI	Classes IV, V, OR VI
S U B S T R U C T U R E	Cast-In-Place (Other Than Seals)	Class II	Class IV	Class IV OR Class V (Spec.)
	Retaining Walls	Class II OR III	Class IV	Class IV
	Cast-In-Place Seals	Class III (Seal)	Class III (Seal)	Class III (Seal)
	Precast Or Prestressed (Other Than Piling)	Classes III, IV, V OR VI	Classes IV, V, OR VI	Classes IV, V, OR VI
	Columns Located Directly In Splash Zone	Class II	Class IV	Class V (SPEC.)
	Piling	Class V (Spec.)	Class V (Spec.)	Class V (Spec.)
	Drilled Shafts	Class IV (Drilled Shafts)	Class IV (Drilled Shafts)	Class IV (Drilled Shafts)

NOTES: (1) Corrosion Protection Measures:

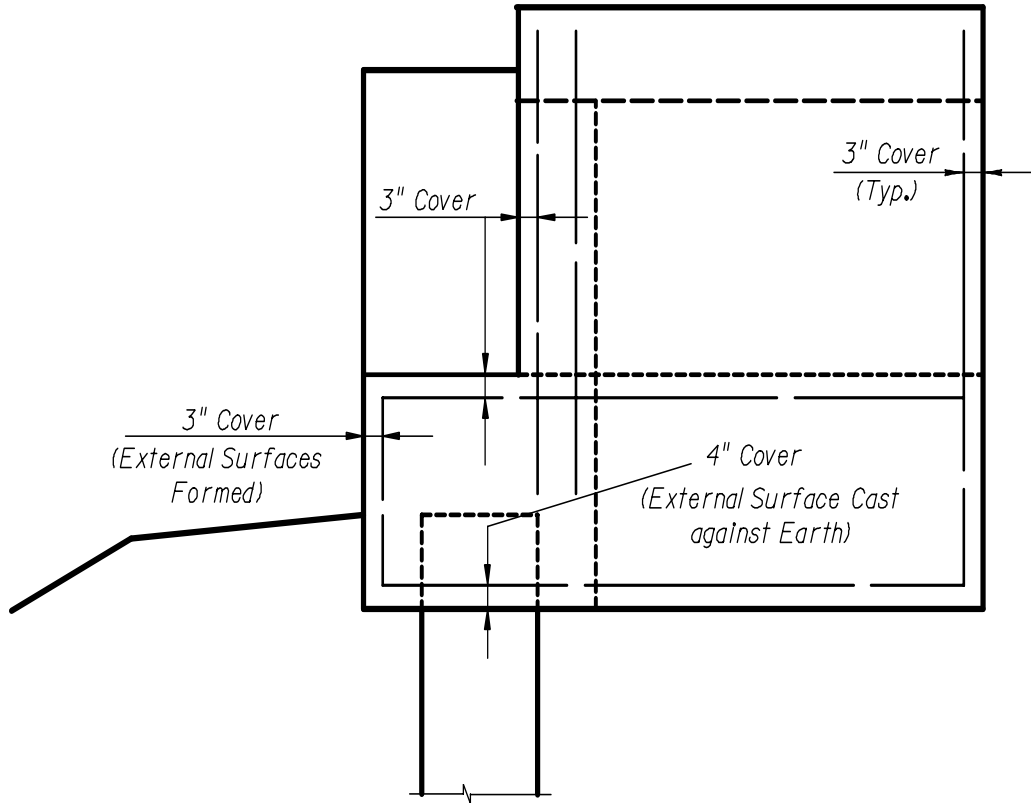
The use of calcium nitrite and/or microsilica may be required to be added to the concrete as an admixture. The use of the admixtures shall conform to the requirements of the article of this Chapter entitled "Concrete Class and Admixtures for Corrosion Protection."



**Bridge Superstructure
Figure 2-1**

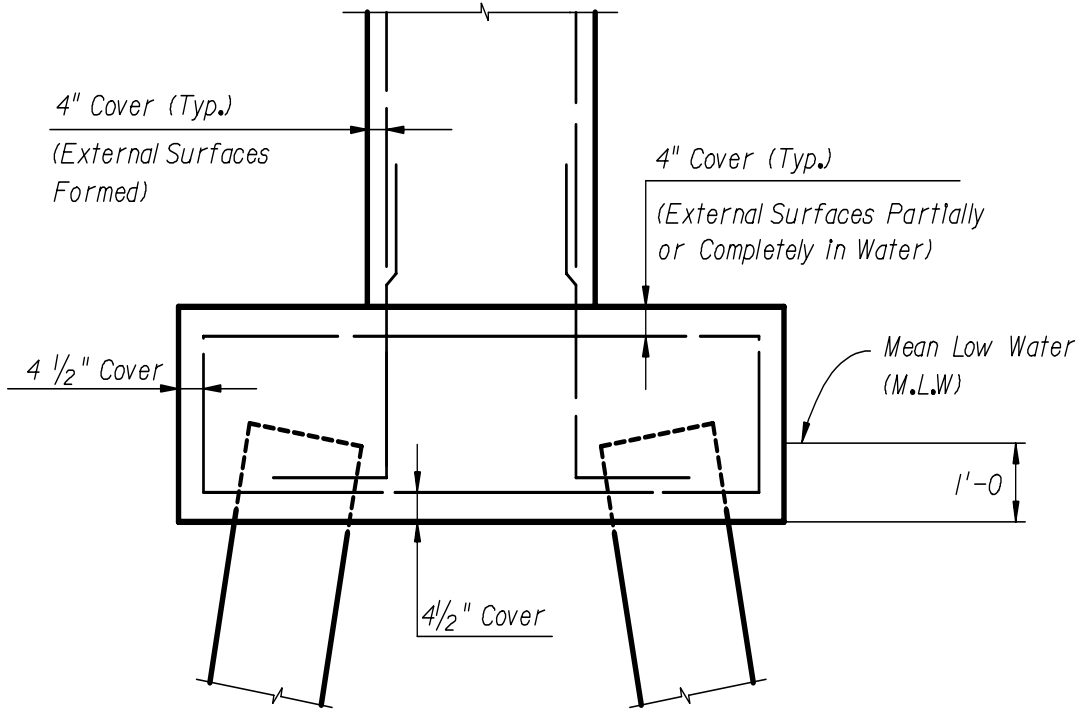
NOTES:

The height of 12 feet may be increased for extreme exposure conditions. Height refers to the distance between the lowest superstructure elevation and the water surface at mean High Water (MHW).

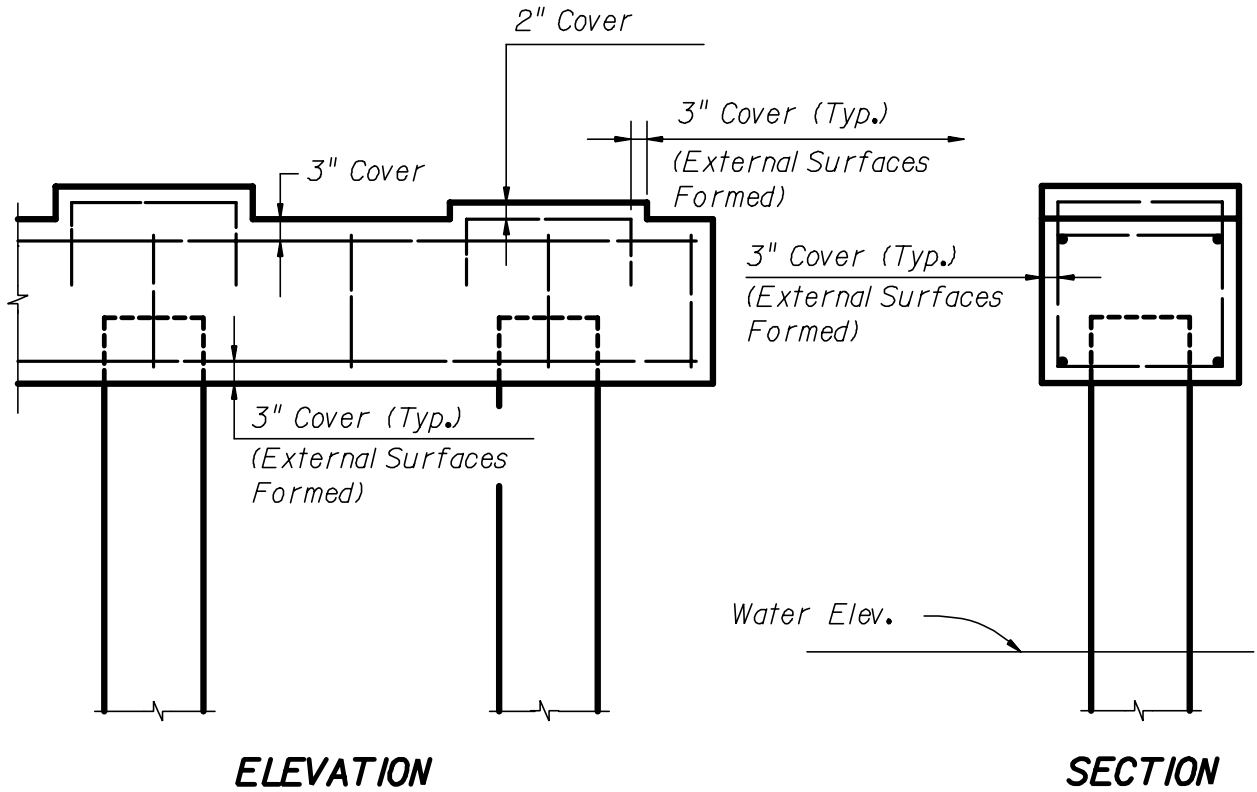


*END BENT LOCATION IN SLIGHTLY OR
MODERATELY AGGRESSIVE ENVIRONMENT*

Figure 2-2

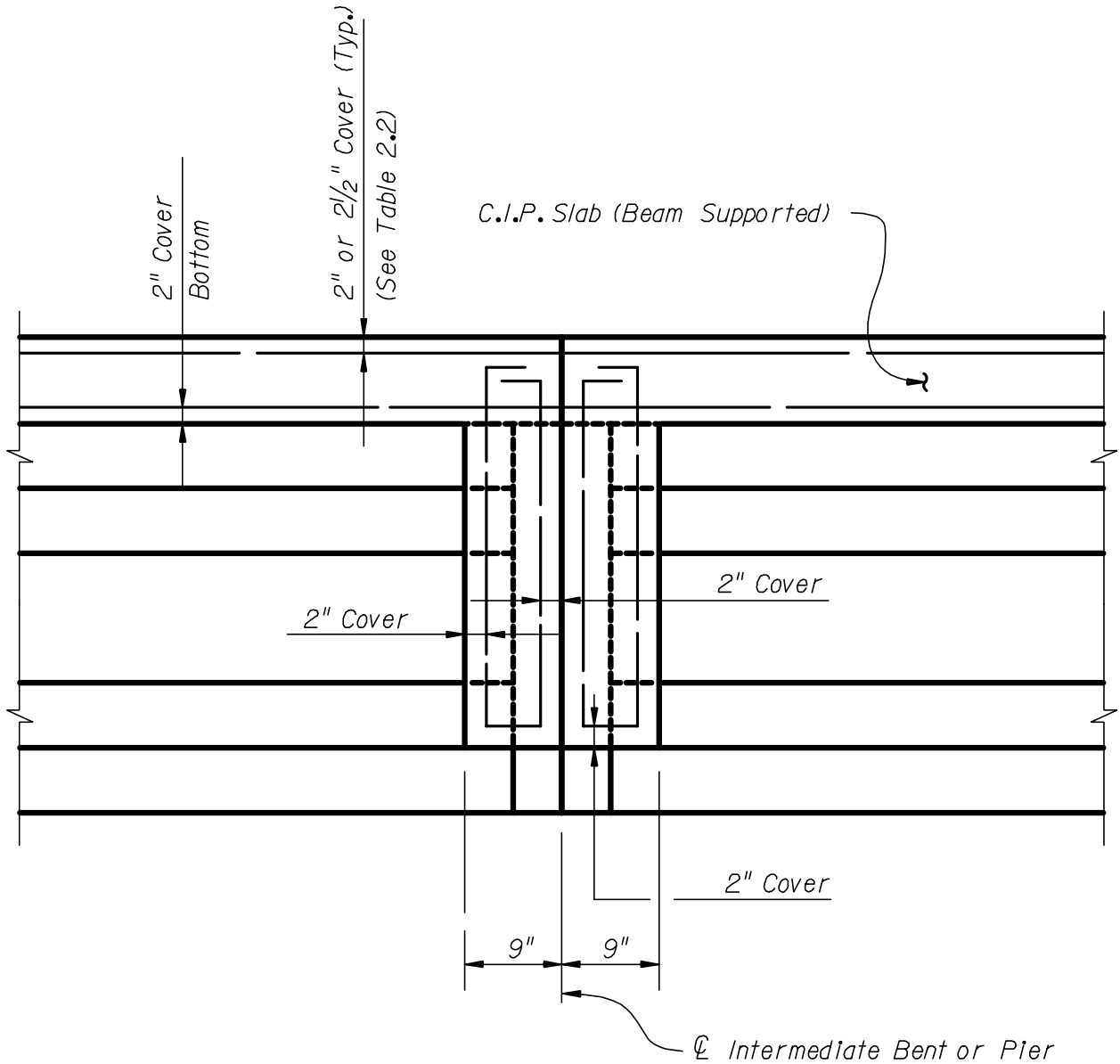


**PIER IN WATER
EXTREMELY AGGRESSIVE ENVIRONMENT
Figure 2-3**



**INTERMEDIATE BENT IN WATER
CLASSIFIED AS SLIGHTLY OR MODERATELY
AGGRESSIVE ENVIRONMENT**

Figure 2-4



**CAST-IN-PLACE SLAB
BEAM SUPPORTED SUPERSTRUCTURE
(ALL ENVIRONMENTS)**

Figure 2-5

CHAPTER 3 LOADS AND LOAD FACTORS

3.1 General	3-1
3.2 Dead Loads	3-1
3.3 Seismic Provisions [3.10.9] [3.10.9.2] [4.7.4]	3-1
3.3.1 General	3-1
3.3.2 Seismic Design for New Construction	3-2
3.3.3 Seismic Design for Widening.....	3-2
3.3.4 Lateral Restraint	3-2
3.4 Wind Loads	3-3
3.4.1 Wind Loads on Bridges [3.8.1].....	3-3
3.4.2 Wind Loads on Other Structures	3-3
3.4.3 Wind Loads During Construction	3-3
3.5 Miscellaneous Loads [3.5.1].....	3-3
3.6 Vehicular Collision Force [3.6.5].....	3-4
3.7 Uniform Temperature [3.12.2]	3-4
3.7.1 Segmental Box Girders	3-4
3.7.2 Joints and Bearings	3-4
3.7.3 All Other Bridge Components.....	3-4
3.7.4 Temperature Gradient [3.12.3]	3-4
3.8 Barrier/Railing Distribution for Beam-Slab Bridges.....	3-4
3.9 Load Distribution Beam – Slab Bridges	3-6
3.9.1 Prestressed Concrete Inverted Tee Girder	3-6
3.9.2 Prestressed Concrete “U” Girders	3-6
3.9.3 Bending	3-7
3.9.4 Shear	3-7
3.10 Operational Importance.....	3-8
3.11 Vessel Collision.....	3-8
3.11.1 General	3-8
3.11.2 Research and Information Assembly.....	3-8
3.11.3 Design Vessel.....	3-9
3.11.4 Design Methodology - Damage Permitted	3-9
3.11.5 Pile Bents	3-10
3.11.6 Widening.....	3-10
3.11.7 Movable Bridges.....	3-10
3.11.8 Main Span Length	3-10
3.11.9 Scour with Vessel Collision.....	3-11

3.11.10 Application of Impact Forces	3-11
3.11.11 Impact Forces on Superstructure	3-11
3.11.12 Criteria for Deflection and Span-to-Depth Ratios.....	3-12
3.11.13 Load Factors and Load Combinations.....	3-12

CHAPTER 3

LOADS AND LOAD FACTORS

3.1 General

This Chapter contains information related to loads, loadings, load factors, and load combinations. It also contains deviations from **LRFD** regarding Loads and Load Factors as well as characteristics of a structure that affect each.

3.2 Dead Loads

A. Future Wearing Surface:

See Table 3.1 regarding the allowance for a Future Wearing Surface.

B. Sacrificial Concrete:

Bridge decks subject to the profilograph requirements of Chapter 7 require an added thickness of sacrificial concrete, which must be accounted for as added Dead Load but which cannot be utilized for bridge deck section properties. See "Concrete Deck Slabs" in Chapter 7.

3.3 Seismic Provisions [3.10.9] [3.10.9.2] [4.7.4]

3.3.1 General

The majority of Florida bridges will not require seismic design or the design of restrainers. For such bridges, only the minimum bearing support dimensions need to be satisfied as required by **LRFD [4.7.4.4]**. Such bridges exempt from seismic design include those with superstructures comprising simple-span or continuous flat slabs, simple-span prestressed slabs or double-tees, simple-span AASHTO or Florida Bulb-Tee girders, and simple-span steel girders.

Structures that require seismic design include those comprising unusual design, continuous steel or concrete girders, steel or concrete box girders, concrete segmental bridges, curved bridges with a radius less than 1,000 feet, those that rely on a system of fixed or sliding bearings for transmitting elongation changes, spans in excess of 165 feet, cable supported bridges, and bridges that do not use conventional elastomeric bearing pads.

The "Uniform Load Method" specified in **LRFD [4.7.4.3.1]** and **[4.7.4.3.2]**, or any higher-level analysis, shall be used for calculating the seismic forces to be resisted by the bearings or other anchorage devices. Only the connections between the superstructure and substructure need to be designed for the seismic forces.

Commentary:

Neoprene bearing pads, as used in the majority of Florida bridges, have sufficient shearing strength and slip resistance to transfer the calculated seismic forces to the substructure.

For most Florida bridges, seismic forces will not govern over other load combinations; however, for some designs, even where the acceleration coefficient is as low as 1%, seismic loads can govern. For example, a long continuous superstructure, supported on a system of sliding bearings at all piers except one short, stiff pier where fixed bearings are used. The fixed bearings, in such cases, must be designed to transmit the calculated seismic forces. These seismic forces will likely govern over other load cases.

3.3.2 Seismic Design for New Construction

When required for new construction as described above, use the single mode spectral method to determine the seismic design forces to be used for the restraint design between the superstructure and substructure only.

Compare these forces to the values obtained using the simplified seismic Zone 1 method (LRFD 3.10.9.2). Use the lesser of the force values to design the seismic restraints.

The acceleration coefficient in Florida varies from 1% to 3.75%, and shall be determined from the Map of Horizontal Acceleration contained in the latest edition of **LRFD**.

3.3.3 Seismic Design for Widening

All bridge elements for the widening of an existing bridge structure classified as a major widening by the definitions of **SDG** Chapter 9 shall comply with the seismic provisions for new construction described above.

Seismic provisions for the widening of an existing structure classified as a minor widening in accordance with **SDG** Chapter 9 will be considered by the FDOT on an individual basis.

3.3.4 Lateral Restraint

When lateral restraint of the superstructure is required because of seismic loading, comply with the provisions and requirements of “Lateral Restraint of Superstructures” in Chapter 6.

3.4 Wind Loads

3.4.1 Wind Loads on Bridges [3.8.1]

To account for the higher wind velocities, which occur in South Florida, the wind pressures of LRFD shall be increased by 20% for bridges located in Palm Beach, Broward, Dade, and Monroe counties. Wind pressures for bridges over 75 feet high, or with unusual structural features, shall be proposed by the EOR for FDOT approval on an individual basis.

3.4.2 Wind Loads on Other Structures

Wind speeds for miscellaneous highway related structures are specified in Chapter 29 of the *Plans Preparation Manual*, Volume 1.

3.4.3 Wind Loads During Construction

During the design phase of a bridge project, the stability and lateral buckling of beams and girders shall be analyzed for wind loading and handling/erection during construction and prior to casting the concrete deck slab. When deemed necessary by the EOR, adequate temporary bracing, shoring, tie-downs, strongbacks, or other means of insuring stability and resistance to lateral buckling shall be detailed in the design plans.

When analyzing the stability of beams and girders, the Factor of Safety against overturning taken about the extreme lateral point of contact bearing, shall not be less than 1.5, and the wind pressure during construction shall be taken as one-half (50%) of the calculated horizontal wind pressure used for final design.

3.5 Miscellaneous Loads [3.5.1]

The loadings in Table 3.1 may be used unless a more refined analysis is performed.

Table 3.1 Miscellaneous Loads

ITEM	UNIT	LOAD
Barrier, Traffic (F-Shape)	Lb / ft	418
Barrier, Median Traffic (F-Shape)	Lb / ft	483
Barrier, Traffic (F-Shape) w/ Railing	Lb / ft	425
Barrier, Pedestrian/Bicycle	Lb / ft	212
Concrete, Counterweight (Plain)	Lb / ft ³	146
Concrete, Structural	Lb / ft ³	150
Future Wearing Surface	Lb / ft ²	15*
Soil, Compacted	Lb / ft ³	115
Stay-in-Place Metal Forms	Lb / ft ²	20**

- * The Future Wearing Surface allowance applies only to minor widenings or short bridges as defined in **SDG** Chapter 7.
- ** Unit load of metal forms and concrete required to fill the form flutes to be applied over the projected plan area of the metal forms.

3.6 Vehicular Collision Force [3.6.5]

Delete *LRFD* Article [3.6.5.1] and [3.6.5.2].

3.7 Uniform Temperature [3.12.2]

3.7.1 Segmental Box Girders

Delete *LRFD* [3.12.2] and substitute in lieu thereof **SDG** Chapter 7.

3.7.2 Joints and Bearings

Delete *LRFD* [3.12.2] and substitute in lieu thereof **SDG** Chapter 6.

3.7.3 All Other Bridge Components

For the design of all other bridge components, use the temperature ranges shown in **SDG** Table 6.2.

3.7.4 Temperature Gradient [3.12.3]

Delete the second paragraph of *LRFD* [3.12.3] and, in lieu thereof, substitute the following:

“The effects of Temperature Gradient shall be included in the design of continuous concrete superstructures **only**. The vertical Temperature Gradient may be taken as shown in *LRFD* Figure 3.12.3-2.”

3.8 Barrier/Railing Distribution for Beam-Slab Bridges [4.6.2.2]

In lieu of the requirements of *LRFD* [4.6.2.2.4] for permanent loads, and in lieu of a more refined analysis, the dead load of barriers and railings applied to exterior beams and stringers (W_{ext}), in lb/ft, may be determined by the following equation when superstructure spans are not less than 40 feet nor more than 150 feet in length:

$$W_{ext} = (W \times C_1 \times C_2) / 100 \quad [Eq. 3-1]$$

$$C_1 = 0.257 (S^3(3k-8))^{0.5} + ((10-K)^3 + 39) / 1.4 \quad [Eq. 3-2]$$

$$C_2 = 2.2 - 0.335 (L/10) + 0.0279(L/10)^2 - 0.000793(L/10)^3 \quad [Eq. 3-2]$$

Where:

K = Number of beams in span, 10 maximum

L = Span length (ft)

S = Beam spacing, center-to-center (ft)

W = Total uniform dead load weight of one barrier or railing (lb/ft)

The balance of the total barrier/railing weight may be distributed equally among the interior beams or stringers.

When a barrier (or railing) is located on one side of a span only, 75% of the value of W_{ext} computed above may be used for the dead load of the barrier applied to the exterior beam adjacent to the barrier, and the balance of the barrier weight distributed equally among the remaining beams.

The distribution methods described above apply to concrete or steel, longitudinal beam or stringer, superstructures on which a concrete slab is cast, compositely, prior to installation of the barrier or railing. For superstructures not conforming to the limitations stated above, the barrier/railing distribution may be determined in accordance with **LRFD [4.6.2.2]**.

Example Problem 1:

(New Construction, 2-lane bridge)

L = 100 feet

K = 6

S = 8 feet

$C_1 = 57.68$

$C_2 = 0.847$

W = 418 lb/ft

$$W_{ext} = (418 \times 57.68 \times 0.847) / 100 = 204 \text{ lb/ft}$$

$$W_{ext} = (2 \times (418-204)) / (6-2) = 107 \text{ lb/ft}$$

Example Problem 2:

(Widening from 2 to 4 lanes. Same as Example 1 except for a barrier on one side only and a longitudinal expansion joint at the junction with the existing slab.)

$$W_{ext} = (204)(0.75) = 153 \text{ lb/ft (at exterior beam on barrier side)}$$

$$W_{int} = (418-153)/(6-1) = 53 \text{ lb/ft (all other beams)}$$

3.9 Load Distribution Beam – Slab Bridges [4.6.2.2]

3.9.1 Prestressed Concrete Inverted Tee Girder

The live load distribution for prestressed concrete inverted tee girders can be approximated by methods contained herein as long as the following conditions are met:

- A. Span lengths 30 feet to 75 feet;
- B. Span to depth ratios of 22 to 38;
- C. Design Slab thickness equals 6 inches;
- D. No permanent intermediate diaphragms;
- E. Distance $d_e = -9$ inches [align barrier directly above exterior girder];
- F. Girder spacing equals 2 feet.

d_e = distance from exterior web of exterior girder and the interior edge of curb or traffic barrier.

Either the formulas or the rough approximations can be used. All live load distribution factors (LLDF) are in terms of lanes and are based on 2 or more traffic lanes loaded. For the definition of terms used in the formulas see LRFD [4.6.2.2].

A. Bending:

- 1.) Rough approximation $LLDF = 0.205$
- 2.) Formula $LLDF = 0.275 + (S/9.5)^{0.01} \times (S/l)^{1.2} \times (kg/12.0 L_t^3)^{0.1}$

B. Shear:

- 1.) Rough Approximation $LLDF = 0.275$
- 2.) Formula $LLDF = 0.4104 + (S/385) L + (S^2/100,000) L^2$

3.9.2 Prestressed Concrete “U” Girders

The live load distribution for prestressed concrete “U” girders can be approximated by methods contained herein as long as the following conditions are met:

- A. Span Lengths 70 feet to 160 feet;
- B. Span to depth ratios of 18.5 to 26.4;
- C. 2 or more girder units;
- D. Slab thickness of 8 inches to 9 inches;
- E. No permanent intermediate diaphragms;
- F. Distance $d_e \leq 3.0$ feet.

Either the formulas or the rough approximations can be used. All live load distribution factors (LLDF) are in terms of lanes and are based on 2 or more traffic lanes loaded.

3.9.3 Bending:

A. Rough Approximation, Interior and Exterior Girders.

Use interpolation to extract LLDF for the exact girder spacing.

<u>Girder Spacing</u>	<u>LLDF</u>
25 feet	1.46
20 feet	1.18
15 feet	1.02
10 feet	0.96

1.) Formulas

Two girders

$$LLDF = 0.96 + 107.2 (Sd/12.0 L^2)^{1.31}$$

Three or More Girders, Exterior

$$LLDF = 0.45 + 15.6 (Sd/12.0 L^2)^{0.67}$$

Three or More Girders, Interiors

$$LLDF = 0.8 + 522.4 (Sd/12.0 L^2)^{1.59}$$

3.9.4 Shear

A. Rough Approximation, Interior and Exterior Girders.

Use interpolation to extract LLDF for the exact girder spacing.

<u>Girder Spacing</u>	<u>LLDF</u>
25 feet	1.69
20 feet	1.39
15 feet	1.17
10 feet	1.0

1.) Formulas

Two girders

$$LLDF = 3.977 (Sd/12.0 L^2)^{0.23}$$

Three or More Girders; Exterior

$$LLDF = 0.1 + 4.266 (Sd/12.0 L^2)^{0.26}$$

Three or More Girders; Interior

$$LLDF = 0.1 + 10.85 (Sd/12.0 L^2)^{0.45}$$

3.10 Operational Importance [1.3.5]

Unless otherwise approved in writing by the State Structures Design Engineer, the value of the Operational Importance Factor (O_1) in **LRFD [1.3.5]** for the strength limit state shall be taken as:

$$\eta_1 = 1.0 \text{ for all bridges.}$$

Bridges considered critical to the survival of major communities, or to the security and defense of the United States, should utilize a higher value for O_1 . The State Structures Design Engineer must approve the higher value in writing.

3.11 Vessel Collision [3.14]

3.11.1 General [3.14.1]

The design of all bridges over navigable waters must include consideration for possible Vessel Collision. Such collisions generally occur from barges or oceangoing ships. The Engineer of Record (EOR) shall conduct a vessel risk analysis to determine the most economical method for protecting the bridge. For bridges located across intracoastal waterways and rivers carrying predominately barges, the marine vessel traffic characteristics are available. The vessel traffic is embedded as an integral part of the Department's Vessel Collision Risk Analysis Software. Also, the importance classification is provided for existing bridge sites and will be provided by the Department for any new bridge location. Port facilities and small terminals handling ships are not covered by the catalog of vessel traffic characteristics. In these cases, on-site investigation is required to establish the vessel traffic characteristics. The Engineer of Record shall utilize the LRFD specification and shall comply with the procedure described hereinafter.

3.11.2 Research and Information Assembly

(When not provided by the Department)

A. Data Sources:

1. U.S. Army Corps of Engineers, Waterborne Commerce Statistics Center, P.O. Box 61280, New Orleans, LA 70161. Telephone: (504) 862-1472.
2. U.S. Army Corps of Engineers, "Waterborne Commerce of the United States (WCUS), Parts 1 & 2," Water Resources Support Center (WRSC), Fort Belvoir, VA.
3. U.S. Army Corps of Engineers, "Waterborne Transportation Lines of the United States," WRSC, Fort Belvoir, VA.
4. U.S. Army Corps of Engineers (COE), District Offices.
5. U.S. Coast Guard, Marine Safety Office (MSO).
6. Port Authorities and Water Dependent Industries.
7. Pilot Associations and Merchant Marine Organizations.

8. National Oceanic and Atmospheric Administration (NOAA), "Tidal Current Tables; Tidal Current Charts and Nautical Charts," National Ocean Service, Rockville, Maryland.
 9. Bridge tender record for bascule bridge at the District Maintenance Office.
 10. Local tug and barge companies.
- B. Assembly of Information:
The EOR shall assemble the following information:
1. Characteristics of the waterway including the following:
 - a. Nautical chart of the waterway.
 - b. Type and geometry of bridge.
 - c. Preliminary plan and elevation drawings depicting the number, size and location of the proposed piers, navigation channel, width, depth and geometry.
 - d. Average current velocity across the waterway.
 2. Characteristics of the vessels and traffic including the following:
 - a. Ship, tug and barge sizes (length, width and height)
 - b. Number of passages for ships, tugs and barges per year (last five years and prediction to end of 25 years in the future).
 - c. Vessel displacements.
 - d. Cargo displacements (deadweight tonnage).
 - e. Draft (depth below the waterline) of ships, tugs and barges.
 - f. The overall length and speed of tow.
 3. Accident reports.
 4. Bridge Importance Classification.

3.11.3 Design Vessel [3.14.4] [3.14.5.3]

When utilizing the FDOT's Mathcad software for conducting the Vessel Collision risk analysis, a "Design Vessel," which represents all the vessels, is not required. The software computes the risk of collision for several vessel groups with every pier. When calculating the geometric probability, the overall length of each vessel group (LOA) is used instead of the LOA of a single "Design Vessel."

3.11.4 Design Methodology - Damage Permitted [3.14.13]

In addition to utilizing the general design recommendations presented in **LRFD (except as noted herein)**, the EOR shall also use the following design methodology:

- A. At least one iteration of secondary effects in columns shall be included; i.e., axial load times the initial lateral deflection.
- B. The analysis must include the effects of force transfer to the superstructure. Bearings, including neoprene pads, transfer lateral forces to the superstructure. Analysis of force transfer through the mechanisms at the superstructure/substructure interface shall be evaluated by use of generally accepted theory and practice.
- C. The ultimate bearing capacity (UBC) of axially loaded piles shall be limited to the compressive and/or tensile loads determined in accordance with the

requirements of **SDG** Chapter 4. Load redistribution shall not be permitted when the axial pile capacity is reached; rather, axial capacity shall be limited to the ultimate limit as established by analysis.

- D. Lateral soil-pile response shall be determined by concepts utilizing a coefficient of sub-grade modulus provided or approved by the Geotechnical Engineer. Group effects must be considered.
- E. For the designer's Vessel Collision risk analysis, the FDOT will determine whether a bridge is critical or non-critical. A list is provided with the Department's software.

Load Combination "Extreme Event II" shall be:

(Permanent Loads) + WA+FR+CV

With all load factors equal to 1.0. Nonlinear structural effects shall be included and can be significant. It is anticipated that the entire substructure (including piles) may have to be replaced if subjected to this design impact load; however, the superstructure must **not** collapse.

Commentary:

Further refinement or complication of this load case is unwarranted.

3.11.5 Pile Bents

Pile bents, 30 inches and less, that are subject to minor vessel impact shall be designed to remain structurally adequate with any one pile removed and live load applied only within the designated, striped traffic lanes. In this event, the load combination for Extreme Event II in **LRFD** Table 3.4.1-1 shall apply; however, the Load Factor for Live Load shall be increased to 1.0. Cylinder piles used in pile bents subject to vessel impact shall be filled from 2 feet below MLW to an elevation 15 feet above MHW.

3.11.6 Widening

Bridge structures that span over navigable waterways and that are classified as major widenings in accordance with **SDG** Chapter 9 shall be designed for Vessel Collision. Bridge structures that span over navigable waterways and that are classified as minor widenings in accordance with **SDG** Chapter 9 shall be considered for Vessel Collision design requirements on an individual basis.

3.11.7 Movable Bridges

Movable bridges shall comply with the requirements of this chapter without exception.

3.11.8 Main Span Length

The length of the main span between centerlines of piers at the navigable channel shall be based upon the Coast Guard requirements, the Vessel Collision

risk analysis (in conjunction with a least-cost analysis), and aesthetic considerations.

3.11.9 Scour with Vessel Collision [3.14.1]

The probability of the simultaneous occurrence of an extreme Vessel Collision load by a ship or barge and some amount of scour being present is a valid concern. For this reason, the substructure shall be designed to withstand the following two Load/Scour (LS) combinations:

A. Load/Scour Combination 1:

$$LS_{(1)} = \text{Vessel Collision @ } \frac{1}{2} \text{ Long-Term Scour} \quad [\text{Eq. 3-4}]$$

Where:

Vessel Collision: Assumed to occur at normal operating speed.

Long-Term Scour: Defined in Chapter 4 of the FDOT *Drainage Manual* (Topic No. 625-040-001).

B. Load/Scour Combination 2:

$$LS_{(2)} = \text{Minimum Impact Vessel @ } \frac{1}{2} \text{ 100-Year Scour} \quad [\text{Eq. 3-5}]$$

Where:

Min. Impact Vessel as defined in *LRFD [3.14.1]* with related collision speed.

100-Year Scour as defined in Chapter 4 of the FDOT *Drainage Manual* (Topic No. 625-040-001).

When preparing the soil models for computing the substructure strengths, and when otherwise modeling stiffness, the EOR must exercise judgment in assigning soil strength parameters to the soil depth that is subject to Local and Contraction Scour that may have filled back in. The soil model shall utilize strength characteristics over this depth that are compatible with the type soil that would be present after having been hydraulically redeposited. In many cases, there may be little difference between the soil strength of the natural streambed and that of the soil that is redeposited subsequent to a scour event.

3.11.10 Application of Impact Forces [3.14.14]

For long narrow footings in the waterway when the length to width ratio, L/W, is 2.0 or greater, the longitudinal force shall be applied within the limits of the distance that is equal to the length minus twice the width, (L-2W), in accordance with Figure 3-1.

3.11.11 Impact Forces on Superstructure [3.14.14.2]

Vessel Impact Forces on the superstructure shall be applied in accordance with *LRFD [3.14.14.2]*.

3.11.12 Criteria for Deflection and Span-to-Depth Ratios [2.5.2.6] [3.6.1.3.2]

The criteria for Span-to-Depth Ratios in **LRFD [2.5.2.6.3]** apply. The criteria for deflection in **LRFD [2.5.2.6.2]** and **[3.6.1.3.2]** only apply for the design of bridges with pedestrian traffic.

3.11.13 Load Factors and Load Combinations [3.4.1]

LRFD Table 3.4.1-1 does not show values for the load factors “ Y_{TG} ,” “ Y_{EQ} ,” and “ Y_{SE} .” The following sub-articles specify the values that will be used for these load factors.

C. Load Factor for Temperature Gradient (T_G)

$Y_{TG} =$ Zero (0.0) for all strength limit states.

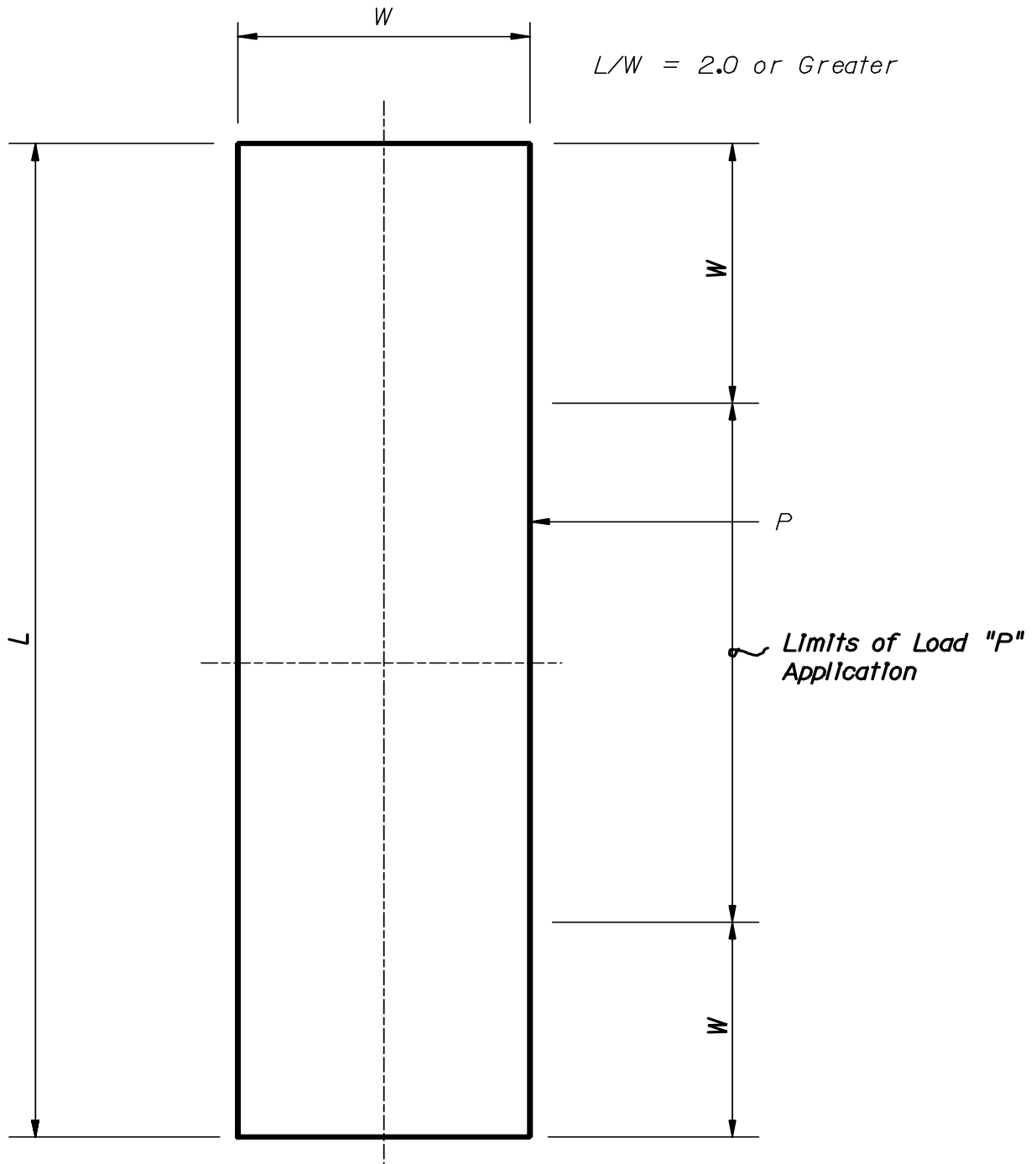
$Y_{TG} =$ 0.50 for service limit states of continuous concrete superstructures.

D. Load Factor (E_Q) for Extreme Event-I Load Combination

$Y_{EQ} =$ 0.0.

E. Load Factor for Foundation Settlement (S_E)

$Y_{SE} =$ 1.0.



**FOOTING WITH LONG TO SHORT SIDE
RATIO (L/W) OF 2.0 OR GREATER**

Figure 3-1

CHAPTER 4

FOUNDATIONS

4.1	General	4-1
4.2	Limit States	4-1
4.3	General Foundation Considerations	4-1
4.4	Spacing, Clearances and Embedment and Size [10.7.1.5] [10.8.1.6]	4-2
4.5	Geotechnical Report [10.4].....	4-3
4.6	Downdrag Considerations for Pile and Drilled Shaft Foundation Design ..	4-4
4.7	Scour Considerations for Foundation Design [2.6]	4-4
4.8	Scour Considerations for Temporary Structures	4-5
4.9	Resistance Factors [10.5.5]	4-6
4.10	Lateral Load [10.7.3.8] [10.8.3.8]	4-7
4.11	Battered Piles [10.7.1.6]	4-7
4.12	Minimum Pile Tip [10.7.1.11] [10.8.1.2]	4-7
4.13	Anticipated Pile Lengths [10.7.1.10]	4-7
4.14	Test Piles [10.7.1.13]	4-8
4.15	Pile Load Tests [10.7.3.6] [10.8.3.6]	4-8
4.16	Fender Piles	4-9
4.17	Pile Driving Resistance [10.7.1.3]	4-10
4.18	Pile Jetting and Preforming	4-10
4.19	Foundation Installation Table	4-10
4.20	Piles	4-11
4.21	Drilled Shafts	4-13
4.22	Cofferdams and Seals	4-13
4.23	Spread Footing General [10.5.5] [10.6]	4-14

CHAPTER 4 FOUNDATIONS

4.1 General

This Chapter supplements *LRFD* Sections [2] and [10] and contains deviations from those sections. This Chapter also contains information and requirements related to soil properties, foundation types and design criteria, fender pile considerations, and cofferdam design criteria to be used in the design of bridge structures.

4.2 Limit States

- A. Limit State 1 (Always required - Scour may be "0")
Conventional *LRFD* loadings (using load factor combination groups as specified in *LRFD* Table 3.4.1-1), but utilizing the most severe case of scour up to and including that from a 100 year flood event.
- B. Limit State 2 (Applies only if vessel collision force is specified)
Extreme event of Vessel Impact (using load factor combination groups as specified in the *LRFD*) utilizing scour depths described in Section 3.11, "Scour with Vessel Collision."
- C. Limit State 3 (Applies only if scour is predicted)
Stability check during the superflood (most severe case of scour up to and including that from the 500-year flood) event.
Limit State 3 =

$$\gamma_p(DC) + \gamma_p(DW) + \gamma_p(EH) + 0.5(L) + 0.5(EL) + 1.0(WA) + 1.0(FR) \text{ [Eq. 4-1]}$$

Where, $L = LL + IM + CE + BR + PL$
(All terms as per *LRFD*)

4.3 General Foundation Considerations

The Structural Engineer, utilizing input from the Geotechnical and Hydraulic Engineers, shall determine the structure loads and the pile/shaft section or spread footing configuration.

Fender piles generally have a short life expectancy. Fender piles are considered to be sacrificial; therefore, no additional corrosion protection requirements, beyond the use of concrete class as shown in Table 2.3, are required.

Two sizes of cylinder piles are currently available, 54 inch and 60 inch diameter. Design cylinder piles and caps so that either of the available sizes are adequate structurally and geometrically interchangeable. Design soil capacity and structural

strength for the 54 inch pile and detail the spacing for the 60 inch pile. Also include an alternate foundation type, prestressed piles or drilled shafts, in the plans. Concrete cover on cylinder pile reinforcement shall comply with the requirements for cover on prestressed concrete pile reinforcement shown in Table 2.2.

Commentary:

The Structures and Geotechnical Engineer shall consider constructability in the selection of the foundation system. Such issues as existing utilities (both underground and overhead), pile-type availability, use of existing structures for construction equipment, phase construction, conflicts with existing piles and structures, effects on adjacent structures, etc. shall be considered in evaluating foundation design alternatives.

Minimum Sizes:

Fender Systems	14" square piling
Bridges.....	18" square piling
Bridges (Extremely Aggressive Environment)	24" square piling
Drilled Shafts.....	36" diameter shafts

Pilings used in Extremely Aggressive salt water are specified with a minimum dimension of 24 inch. Using a pile less than 24 inch square can be acceptable subject to the concurrence of the District Maintenance Engineer or his designated representative. This decision is dependent upon site specific conditions and the history of piles in the vicinity. However, if pile bents are exposed to wet/dry cycles such that jacketing will be required in the future, then a 24 inch minimum pile shall be used.

4.4 Spacing, Clearances and Embedment and Size [10.7.1.5] [10.8.1.6]

Delete the first sentence of **LRFD** Articles 10.7.1.5 and 10.8.1.6 and substitute the following information:

Minimum pile or shaft spacing center-to-center shall be at least three (3) times the least width of the deep foundation element measured at the ground line.

In order to develop the full strength of a voided pile, the upper 8 feet of the pile, as a minimum, must be solid with 4 feet embedded into the pile cap. If the pile void must be filled to achieve a solid section, as after cutting the pile to grade, the void must be filled with structural concrete for an 8 foot minimum length, after all non-metallic form liners are removed from the void.

The strength of a voided pile can be enhanced by grouting a pipe or reinforcing bar cage into the void. With this detail the full composite section capacity of the pile and pipe/cage can be developed. The required length of this composite pile

section is a function of the loading but shall be no less than 10 feet (6 feet below the bottom of the pile cap).

Pile embedment lengths for larger size piles and their corresponding capacities with or without supplemental reinforcing will require custom designs based upon **LRFD** specifications, will require Department approval, and may require strand development/pile embedment tests.

4.5 Geotechnical Report [10.4]

The District Geotechnical Engineer or the contracted geotechnical firm shall issue a Geotechnical Report for most projects. This report shall describe the soil conditions in detail and recommend suitable foundation types, with appropriate consideration for constructability, as well as background information that may assist the Structural Engineer in determining appropriate pile lengths. The Geotechnical Engineer will contact the District Construction Office and District Geotechnical Engineer, as needed, to obtain local, site-specific foundation construction history.

The Geotechnical Report shall include appropriate design parameters. Input data for COM624, FB Pier, and other design programs shall be included when lateral loads are a major concern. The Report shall be prepared in accordance with the Department's **Soils and Foundations Handbook**, which is available through the Office of Maps and Publications Sales in Tallahassee.

The core boring drawings shall be included in the Geotechnical Report. These drawings reflect the foundation data acquired from field investigations.

Geotechnical Reports shall conform to the FHWA Report **Checklist and Guidelines for Review of Geotechnical Reports and Preliminary Plans and Specifications** prepared by the Geotechnical and Materials Branch, FHWA, Washington, D.C., October 1985. Contact the District Geotechnical Engineer to receive a copy of this document. The appropriate checklists provided in the subject document are **required** to be properly executed and submitted as part of the Geotechnical Report.

In the event that the Geotechnical Report is prepared by a contracted geotechnical firm, it generally will be reviewed by both the State and District Geotechnical Engineers for Category 2 Structures and the District Geotechnical Engineer for Category 1 Structures (See the **Plans Preparation Manual**, Volume I, Chapter 26 for category definitions). Final acceptance of the report is contingent upon the District Geotechnical Engineer's approval. Concurrence by the State Geotechnical Engineer is required for all Category 2 Structures. The contracted Geotechnical firm shall interact in a timely manner with the District Geotechnical Engineer throughout the course of the geotechnical activities. The scope of services, as well as the proposed field and laboratory investigations,

shall be discussed with the Structures Engineer and the District Geotechnical Engineer prior to commencing any operations.

4.6 Downdrag Considerations for Pile and Drilled Shaft Foundation Design

For pile or drilled shaft foundations, the downdrag load shall be shown on the plans.

For pile foundations, the term “downdrag” is defined as the ultimate skin friction above the neutral point (the loading added to the pile due to settlement of the surrounding soils) plus the dynamic resistance above the neutral point (the resistance that must be overcome during the driving of the pile). The dynamic resistance typically equals 0.50 to 1.0 times the ultimate skin friction. For drilled shaft foundations, “downdrag” is the ultimate skin friction above the neutral point (the loading added to the drilled shaft due to settlement of the surrounding soils).

For drilled shaft foundations, the term “downdrag” is defined as the ultimate skin friction above the neutral point (the loading added to the drilled shaft due to settlement of the surrounding soils).

Scour may or may not occur as predicted; however, discounting of scourable soil layers shall not be used to reduce the predicted downdrag.

4.7 Scour Considerations for Foundation Design [2.6]

This is a multi-discipline effort involving Geotechnical, Structures, and Hydraulics Engineers. The process listed below will often require several iterations. The foundation design must satisfactorily address the various scour conditions, and also furnish sufficient information for the Contractor to provide adequate equipment and construction procedures. These three engineering disciplines have specific responsibilities in considering scour as a step in the foundation design process.

A. The Structures Engineer

The Structures Engineer determines the preliminary design configuration of a bridge structure utilizing all available geotechnical and hydraulic data and performs lateral stability evaluations for the applicable loading(s) described in “Limit States” at the beginning of this Chapter (arbitrary deflection limits shall not be imposed except on movable bridges). A preliminary lateral stability analysis normally will occur during the BDR phase of the project, and a final evaluation will occur subsequent to the selection of the final configuration(s). The Structures Engineer needs to apply sound engineering judgment in comparing results obtained from scour computations with available hydrological, hydraulic, and geotechnical data to achieve a reasonable and prudent design.

B. The Hydraulics Engineer

Utilizing good engineering judgment as required by HEC-18, the Hydraulics Engineer provides the worst case scour elevation through a 100-year flood event (100-Year Scour), a 500-year flood event (500-Year Scour), and for 'Long-Term Scour.' 'Long Term Scour' is defined and described in Chapter 4 of the FDOT ***Drainage Manual*** (Topic No. 625-040-001).

C. The Geotechnical Engineer

The Geotechnical Engineer provides the factored axial (compression and tension) capacity curves, mechanical properties of the soil and foundation recommendations based on construction methods, pile availability, similar nearby projects, site access, etc.

Commentary:

This is a multi-discipline effort involving Geotechnical, Structures, and Hydraulics Engineers. The leader of this multi-discipline team is the Structures Engineer who is responsible for the final foundation type selection, coordination and resolution of all issues raised. The process listed below often requires several iterations. The foundation design must satisfactorily address the various scour conditions and also furnish sufficient information for the Contractor to provide adequate equipment and construction procedures.

4.8 Scour Considerations for Temporary Structures

Consideration for the effects of scour on temporary structures is not required unless otherwise directed by the Department.

4.9 Resistance Factors [10.5.5]

Delete **LRFD** Tables 10.5.5-2 and 10.5.5-3 and substitute in lieu thereof **SDG** Tables 4.1 and 4.2 for piles and drilled shafts.

Table 4.1 Resistance Factors for Piles

Foundation Type	Application	Design Consideration	Design and/or QC Methodology	Resistance Factor, N
Piles	All Structures	Compression	SPT97 (for estimating pile lengths)	0.65
			PDA (EOD)	0.65
			Wave Equation Analysis	0.35
		Uplift	Static Load Testing	0.75
			SPT97 (for estimating pile lengths)	0.55
		Lateral	Static Load Testing	0.65
		FBPier or similar program	1.00	

Table 4.2 Resistance Factors for Drilled Shafts

Foundati on Type	Application	Design Consideration	Design Methodology	Resistance Factor, N
Drilled Shafts	Bridge Foundation	Compression	FHWA-HI-88-042 on soils with $N < 15$ correction suggested by O'Neil. For rock socket, use McVay's method to determine unit skin friction by: 1. Neglecting end bearing 2. Including 1/3 end bearing 3. Static Load Testing	0.60
				0.55
				0.75
	Misc. Structures	Uplift	Same as above for side friction	0.50
		Lateral	FLPier	1.00
		Compression	Same as above	0.55
		Uplift	Same as above	0.50
	Lateral Load	Brom's Method (FDOT D647/F205)*	0.90	
	Torsion	FDOT Structures Office	0.95	

*FDOT Research Report D647 kept in the Research Center of the FDOT Central Office.

4.10 Lateral Load [10.7.3.8] [10.8.3.8]

A resistance factor of 1.0 shall be used for lateral analysis.

4.11 Battered Piles [10.7.1.6]

Plumb piles are preferred; however, if the design dictates the use of battered piles, a single batter, either parallel or perpendicular to the centerline of the cap or footing, is preferred. If the design dictates that a compound batter is required, the pile shall be oriented so that the direction of batter will be perpendicular to the face of the pile. The Structures Engineer should, with input from the Geotechnical Engineer, evaluate the effects of length and batter on the selected pile size. The following maximum batters, measured as the horizontal-to-vertical ratio, "h:v", shall not be exceeded:

End bents and abutments	1:6
Piers without Ship Impact.....	1:12
Intermediate bents.....	1:6
Piers with Ship Impact.....	1:4

Commentary:

Longer piles are more susceptible to bending, especially if an obstruction is hit during driving. Also, when driven on batters, the tips of long, slender piles tend to bend downward due to gravity. This creates additional bending stresses. This tendency is especially true in deep water and in very soft/loose soil. These deflections can be severe enough to cause significant, additional stresses due to bending when hit with a pile driving hammer. These additional stresses can lead to pile failure in bending. Hard subsoil layers can also deflect piles outward in the direction battered causing pile breakage in bending. The ability to install battered piles must be determined during the design phase.

4.12 Minimum Pile Tip [10.7.1.11] [10.8.1.2]

The minimum pile or drilled shaft tip elevation must be the deepest of the minimum elevations that satisfy lateral stability requirements for the three limit states. The minimum tip elevation may be set lower to satisfy any unique soil conditions provided the requirements in the **FDOT Soil and Foundation Handbook** are met. The minimum tip must be established by the Structures Engineer and concurred with by the Geotechnical Engineer.

4.13 Anticipated Pile Lengths [10.7.1.10]

The anticipated pile lengths are used only to estimate quantities and set test pile lengths. These lengths are determined by using the lower of the minimum tip elevations specified on the plans or the axial capacity elevations predicted by the pile capacity curves.

4.14 Test Piles [10.7.1.13]

Test piles include static load test piles and dynamic load test piles. As a minimum, one test pile shall be located approximately every 200 feet of bridge length with a minimum of two test piles per bridge structure. These requirements shall apply for each size and pile type in the bridge except at end bents. For bascule piers and high-level crossings that require large footings or cofferdam-type foundations, a minimum of one test pile shall be driven at each pier.

Test piles shall be required for all projects unless, in the opinion of the District Geotechnical Engineer, pile driving records for the existing structure include enough information (i.e., stroke length, hammer type, cushion type, etc.) to adequately determine the authorized pile lengths and driving criteria.

Test piles should be at least 15 feet longer than the estimated length of production piles. Additional length may be required by the load frame geometry when static load tests are used. The Structural Engineer shall coordinate his recommended test pile lengths and locations with the District Geotechnical Engineer and Geotechnical Consultant, prior to finalization of the plans.

Commentary:

Test piles are employed to determine soil capacity, pile driving system, pile driving ability, production pile lengths, and driving criteria. Maintenance of traffic requirements, required sequence of construction, geological conditions, and pile spacing must be considered when determining the location of test piles,. For phase construction, it is preferable to locate all test piles in the first phase of to be constructed. The Geotechnical Engineer shall verify the adequacy of the test pile locations. Because test piles are exploratory in nature, they may be driven harder, deeper, and to a greater bearing value than required for permanent piling or may be used to establish soil freeze parameters. (See FDOT Specifications Section 455). Therefore, the Structures Engineer shall take these facts into consideration in establishing test pile lengths.

4.15 Pile Load Tests [10.7.3.6] [10.8.3.6]

Load tests include static load tests, dynamic load tests, Osterberg load tests, and Statnamic load tests. Both design phase and construction phase load testing should be investigated. Factors to be considered when evaluating the benefits and costs of providing loaded test piles, include: soil stratigraphy, design loads, pile type and number, type of loading, testing equipment, and mobilization.

Commentary:

In general, the more variable the subsurface profile, the less cost-effective are static load tests. When soil variability is an issue, other options include additional field exploration, more laboratory samples, in-situ testing, and pullout tests.

A. Static Load Test [10.7.3.6]

If static load test piles or drilled shafts are called for on the design plans, the number of required tests, pile or shaft type, pile or shaft size, and test loads shall be shown in the plans. All piles which will be statically load-tested shall first be subjected to dynamic load testing. Static load tests shall be designed to test the pile to failure as stipulated in Section 455 of the Specifications.

Commentary:

Test piles or drilled shafts can be subjected to static compression, tension, or lateral test loads. Static load tests may be desirable when foundation investigations reveal sites where the soils cause concern regarding the development of the required pile capacity at the desired depths, and/or the possibility that considerable cost savings will result if higher soil capacities can be obtained. Furthermore, static load tests will reduce the driving effort since a higher Performance Factor is applied to the Ultimate Bearing Capacity formula.

B. Dynamic Load Test [10.7.1.15]

When dynamic testing is required, **all** test piles shall have dynamic load tests. The need for dynamic load tests shall be addressed in the geotechnical report. This requirement shall be shown by means of a note on the foundation layout sheet.

Commentary:

Dynamic load testing of piles employs strain transducers and accelerometers to measure pile force and acceleration during driving operations. A Pile Driving Analyzer (PDA) unit is used for this purpose.

C. Special Considerations

Load testing of foundations that will be subjected to subsequent scour activity requires special attention. The necessity of isolating the resistance of the scourable material from the load test results must be considered.

4.16 Fender Piles

There are no specific design requirements for fender piles; however, the length established shall meet or exceed the minimum pile penetration set forth in Section 455 of the Specifications.

Commentary:

The pile installation constructability must be reviewed by the Geotechnical Engineer to verify that the pile tips shown in the plans can be reasonably obtained by the Contractor, and the use of any penetration aids (jetting, preforming, etc.) will not jeopardize adjacent structures .

4.17 Pile Driving Resistance [10.7.1.3]

The Geotechnical Engineer calculates an Ultimate Bearing Capacity (UBC) as:

$$UBC = (Factored\ Design\ Load + Net\ Scour + Downdrag) / \phi$$

Where: ϕ = values taken from Table 4.1.

The Ultimate Bearing Capacity (UBC) shall not exceed the following values unless specific justification is provided and accepted by the Department's District Geotechnical Engineer for Category I structures or the State Geotechnical Engineer for Category II structures:

18 inch pile	300 tons
20 inch pile	360 tons
24 inch pile	450 tons
30 inch pile	600 tons
54 inch or 60 inch concrete cylinder piles	1550 tons

If the anticipated driving resistance, as determined by the SPT 97 Davisson Capacity curves, exceeds the allowable UBC values, construction methods to reduce the driving resistance are required.

4.18 Pile Jetting and Preforming

When jetting or preforming is allowed, the depth of jetting or preforming must comply with all the design criteria. For projects with scour, jetting or preforming will not normally be permitted below the 100-year scour elevation (EL₁₀₀).

If jetting or preforming is utilized, the Net Scour Resistance to that depth is assumed to be equal to 0.0 kips (provided the hole remains open or continuous jetting is being done).

If jetting is specified in the plans, the Structural Engineer must verify that it will not violate any of the environmental permits.

4.19 Foundation Installation Table

All plans for projects utilizing driven piles or drilled shafts shall contain a "Pile Data Table" and notes or a "Drilled Shaft Data Table" and notes included hereinafter, as applicable. For items that do not apply, place "N/A" in the column; however, the table itself shall not be revised or modified. Loads should be rounded to the nearest 1 ton. Elevations and pile lengths should be rounded to the nearest foot.

The "Pile Data Table" (Table 4.3) and "Drilled Shaft Data Table" (Table 4.4) are not required in the Geotechnical Report; however, the information shown on the plans for these tables shall be reviewed by the Geotechnical Engineer of Record.

4.20 Piles

In the Pile Data Table, Table 4.3, the values for driven piles for the column entitled “Ultimate Bearing Capacity (UBC)” shall be determined from Equation 4-1 above.

Additional Plan Notes:

- A. Minimum Tip Elevation is required _____ (reason must be completed by designer, for example: “for lateral stability” or “to minimize post-construction settlements”).
- B. When a required jetting or preformed elevation is not shown on the table, do not jet or preform pile locations without prior approval of the District Geotechnical Engineer. Do not advance jets or preformed pile holes deeper than than the jetting or preformed elevations shown on the table without the prior approval of the District Geotechnical Engineer. If actual jetting or preforming elevations differ from those shown on the table, the District Geotechnical Engineer shall be responsible for determination of the required driving resistance.
- C. In order to achieve the required minimum tip elevation, a driving resistance higher than the Ultimate Bearing Capacity may be required.

Table 4.3 Pile Data Table

PILE DATA TABLE															
INSTALLATION CRITERIA											DESIGN CRITERIA				
Pile or Bent Number	Pile Size (Inch)	Ultimate Bearing Capacity	Tension Capacity	Minimum Tip Elev.	Test Pile Length	Req'd Jet Elevation	Req'd Performed Elevation (ft.)	Factored Design Load (ton)	Down Drag (ton)	Total Scour Resistance (ton)	Net Scour Resistance (ton)	Long Term Scour Elevation (ft.)	Long Term Scour Elevation (ft.)	100 Year Scour Elevation (ft.)	ϕ

Total Scour Resistance- An estimate of the ultimate static side friction resistance provided by the scourable soil.
 Net Scour Resistance - An estimate of the ultimate static side friction resistance provided by the soil from the required preformed or jetting elevation to the scour elevation.
 Tension Capacity- The ultimate side friction capacity that must be obtained below the 100-year scour elevation to resist pullout of the pile (Specify only when design requires tension capacity)
 100-year Scour – Defined in Chapter 4, FDOT Drainage Manual (Topic 625-040-001)

4.21 Drilled Shafts

In a manner similar to that for piles, a Drilled Shaft Data Table, identical in format and information to Table 4.4 below, shall be included in the plans for all projects on which drilled shafts will be utilized. The value of ϕ shall be taken from Table 4.2.

Table 4.4 Drilled Shaft Data Table

DRILLED SHAFT DATA TABLE									
INSTALLATION CRITERIA					DESIGN CRITERIA				
Pier or Bent No.	Shaft	Tip Elev.	Tip Elev.	Min. Rock Socket Length	Factored Design Load	Downdrag (tons)	Long Term Scour Elev.	100-yr Scour Elev.	ϕ
	(in)	(ft)	(ft)	(ft)	(tons)		(ft)	(ft)	

Tip Elevation

The elevation to which the shaft shall be constructed unless test load data, rock cores, or other geotechnical data obtained during construction allows the Engineer to authorize a different tip elevation.

Min. Tip Elevation –

The highest elevation that the shaft tip may be constructed if adjustments are made to the tip elevation specified.

4.22 Cofferdams and Seals

When showing seal dimensions in the bridge plans, the EOR shall show the maximum water elevation assumed for the seal design. The seal concrete thickness should be designed using the exceeding pressure obtained from flow net analysis performed by the Geotechnical Engineer. In the absence of a flow net analysis, the maximum differential water head shall be used.

For design of the cofferdam seal, use a Load Factor of 1.0 and assume the maximum service load stresses from Table 4.5, which apply at the time of complete dewatering of the cofferdam.

In the event greater stress values are required, the contact surfaces of the foundations with the seal shall contain mechanical connectors such as weldments or shear connectors. When such artificial means of increasing shear capacity are to be used, the EOR shall detail their locations and connections on the drawings and provide substantiating calculations for their use.

Table 4.5 Cofferdam Design Values

MAXIMUM SERVICE LOAD STRESSES AT TIME OF COMPLETE DEWATERING OF THE COFFERDAM	
Maximum tension in seal concrete from hydrostatic pressure	250 psi*
Adhesive shear stress between seal concrete and concrete piles or shafts	75 psi*
Adhesive shear stress between seal concrete and steel piles or casings	36 psi*

*Values have been adjusted for appropriate Resistance Factors.

Commentary:

Generally, cofferdams are designed and detailed by the Contractor and reviewed by the EOR as a shop drawing. In many instances, however, the EOR must design the seal because it constitutes a significant load for the foundation design, and a seal quantity is often required for bidding purposes.

4.23 Spread Footing General [10.5.5] [10.6]

In the event that the Geotechnical Report recommends a spread footing foundation, the maximum soil pressures, the minimum footing widths, the minimum footing embedment, and the **LRFD** Table 10.5.5-1 Resistance Factors (Φ) used shall be indicated in the Geotechnical Report. The Structures Engineer shall determine the factored design load and proportion the footings to provide the most cost effective design without exceeding the recommended maximum soil pressures. The Structures Engineer shall communicate with the Geotechnical Engineer as necessary to insure that the corresponding settlements do not exceed the tolerable limits. Sliding, overturning, and rotational stability of the footings shall also be verified. Dewatering, when recommended in the Foundation Report, shall be so noted in the plans. If the ground water elevation is within 2 feet (or higher) of the bottom of the footing, dewatering must be specified.

In the event greater stress values are required, the contact surfaces of the foundations with the seal shall contain mechanical connectors such as weldments or shear connectors. When such artificial means of increasing shear capacity are to be used, the EOR shall detail their locations and connections on the drawings and provide substantiating calculations for their use.

Table 4.5 Cofferdam Design Values

MAXIMUM SERVICE LOAD STRESSES AT TIME OF COMPLETE DEWATERING OF THE COFFERDAM	
Maximum tension in seal concrete from hydrostatic pressure	250 psi*
Adhesive shear stress between seal concrete and concrete piles or shafts	75 psi*
Adhesive shear stress between seal concrete and steel piles or casings	36 psi*

*Values have been adjusted for appropriate Resistance Factors.

Commentary:

Generally, cofferdams are designed and detailed by the Contractor and reviewed by the EOR as a shop drawing. In many instances, however, the EOR must design the seal because it constitutes a significant load for the foundation design, and a seal quantity is often required for bidding purposes.

4.23 Spread Footing General [10.5.5] [10.6]

In the event that the Geotechnical Report recommends a spread footing foundation, the maximum soil pressures, the minimum footing widths, the minimum footing embedment, and the **LRFD** Table 10.5.5-1 Resistance Factors (Φ) used shall be indicated in the Geotechnical Report. The Structures Engineer shall determine the factored design load and proportion the footings to provide the most cost effective design without exceeding the recommended maximum soil pressures. The Structures Engineer shall communicate with the Geotechnical Engineer as necessary to insure that the corresponding settlements do not exceed the tolerable limits. Sliding, overturning, and rotational stability of the footings shall also be verified. Dewatering, when recommended in the Foundation Report, shall be so noted in the plans. If the ground water elevation is within 2 feet (or higher) of the bottom of the footing, dewatering must be specified.

CHAPTER 5

SUBSTRUCTURE ELEMENTS AND APPURTENANCES

5.1 General	5-1
5.2 Mass Concrete [5.10.8.3]	5-1
5.3 Crack Control Requirements for Piers, Footings, and Walls	5-2
5.3.1 Secondary Reinforcing Requirements for Pier Footings.....	5-2
5.3.2 Control of Shrinkage Cracking [5.10.3] [5.10.8]	5-2
5.4 Design Considerations in Piers, Columns, and Footings.....	5-2
5.5 Retaining Walls	5-4
5.5.1 Wall Types (Site Applications)	5-4
5.5.2 Design of MSE Walls	5-7

CHAPTER 5 SUBSTRUCTURE ELEMENTS AND APPURTENANCES

5.1 General

This Chapter contains information and criteria related to the design, reinforcing, detailing, and construction of substructure elements and appurtenances and includes deviations from and supplementary requirements to *LRFD* criteria for substructure designs. In particular, this Chapter supplements *LRFD* Sections [5] and [11].

5.2 Mass Concrete [5.10.8.3]

The EOR shall consider Mass Concrete requirements in selecting member sizes and shall avoid Mass Concrete if practicable; however, when its use is unavoidable, the EOR shall be responsible for indicating which portions of the concrete in a bridge shall be designated as Mass Concrete.

Mass Concrete is defined as: "Any large volume of cast-in-place or precast concrete with dimensions large enough to require that measures be taken to cope with the generation of heat and attendant volume change so as to minimize cracking."

When the minimum dimension of the concrete exceeds 3 feet and the ratio of volume of concrete to the surface area is greater than 1.0 feet, then provisions for mass concrete are required. (The surface area for this ratio shall include the summation of all the surface areas of the concrete component being considered, including the full underside (bottom) surface of footings, caps, construction joints, etc.) Volume and surface area calculations shall be in units of feet.

Estimated bridge pay quantities shall be arranged so that Mass Concrete is a separate quantity. Mass concrete quantities shall be separated into Mass Concrete (Substructure) and Mass Concrete (Superstructure). Seal Concrete shall not be considered as Mass Concrete.

The EOR shall also be responsible for taking precautionary measures to reduce the likelihood of cracking of the concrete. These precautionary measures are especially needed in the design of bascule bridge substructures and other structural components requiring the casting of large volumes of concrete. To prevent or control cracking, some considerations to be taken in all designs involving Mass Concrete include more and/or better reinforcing steel distribution,

the judicious placing of construction joints, as well as other methods as outlined in ACI 207, ACI 244, and ACI 308.

5.3 Crack Control Requirements for Piers, Footings, and Walls

5.3.1 Secondary Reinforcing Requirements for Pier Footings

Secondary reinforcing is required in all pier footings of thickness equal to, or greater than 5 feet.

5.3.2 Control of Shrinkage Cracking [5.10.3] [5.10.8]

A. Long Walls:

For long walls and other similar construction the EOR is advised to consider the following:

- 1.) Limiting the length of a section to a maximum of 30 feet between vertical construction joints. See also the limits of concrete pours in tall piers elsewhere in this Chapter.
- 2.) Required construction joints shall be clearly detailed on the plans.
- 3.) Construction or expansion joints shall be fitted with a water barrier wherever water leakage has to be prevented.

B. Footings:

Footings shall be cast monolithically. Struts and other large attachments shall be attached as secondary castings.

C. Keyways:

Keyways shall not be placed in horizontal construction joints except that a keyway will be used at the junction of a cast-in-place concrete wall and footing.

Keyways shall be provided at formed surfaces of vertical construction joints and elsewhere as necessary to transfer applied loads from one cast section to an adjacent, second pour. Keyways shall be trapezoidal in shape for ease of forming and stripping. As an example, a typical joint shall have a keyway about 2 inches deep and about 6 inches wide (or one third the thickness of the member for members less than 18 inches in thickness) running the full length.

5.4 Design Considerations in Piers, Columns, and Footings

Construction joints shall be detailed on the plans for tall piers or columns to limit the concrete lifts to 25 feet. When requested by the EOR and approved by the Department, a maximum lift of 30 feet may be allowed to avoid successive small lifts (less than approximately 16 feet) which could result in vertical bar splice conflicts or unnecessary splice length penalties.

Splices shall be detailed for vertical reinforcing at every horizontal construction joint; except that the splice requirement may be disregarded for any lift of 10 feet or less.

The EOR shall verify that the lift heights (and construction joint locations) shown on the plans are in accordance with the concrete placement requirements of the specifications.

On structures over water, all vertical post-tensioning must be 12 feet above MHW. On structures over land, all vertical post-tensioning must be 5 feet above land (fill or natural ground). A further intent of this restriction is to preclude the use of post-tensioning from the submerged substructure (fresh or salt) to an air dry condition within the substructure component. This applies to both CIP and/or precast substructures.

To further clarify this restriction, we offer the following three clarifications:

- A. Precast pier segments traditionally have horizontal joints every 7' to 10' feet and at least 4 tendons vertically. Even with the highest attention to field inspection we find that many joints are not watertight. Water and chloride intrusion has been documented in superstructure and substructure post-tensioned tendons in Florida. The interstice area within the 7-wire strand and the space between strands offers too much opportunity for water and oxygen intrusion. Tendon geometry and duct placement (wobble) are factors that contribute to how much grout surround the tendon bundle. During the forensic examinations of the corroded tendons it was observed that duct material must offer the primary protection for the strand material.
- B. Precast pier sections with spliced sleeve connections will continue to be allowed. No problems have been reported with this type of rebar connections.
- C. The Plant produced post-tensioned or pretensioned cylinder piles, horizontally assembled, stressed and grouted will be allowed due to the small tendon and duct size. The redundancy within the component due to the number of ducts with a maximum of 3 strands per duct has proved effective. When detailing precast, post-tensioned, segmented cylinder piles for use in pile bents, the void shall be filled with reinforced concrete to produce a redundant load path. The reinforced concrete plug shall extend from the cap to 2 feet below the MLW elevation, or ground line for land bents, regardless of the environmental classification, and far enough to fully develop the strength of the plug at the ground line or MLW elevation.

For bridges designed for vessel collision, pier columns shall be solid from the footing to 15 feet above MHW.

The bottom of all footings, excluding seals, shall be located a minimum of 1 foot below MLW.

5.5 Retaining Walls

Retaining wall plans preparation and administrative requirements are included in Chapter 30 of the *Plans Preparation Manual* which must be used in conjunction with the design requirements of this Section. Refer to Chapter 2 for the retaining wall concrete class and reinforcing steel cover requirements. The retaining wall concrete class is required to be shown on the plans.

5.5.1 Wall Types (Site Applications)

There are a number of types of retaining walls presently being used by the Department. Wall site considerations, economics, aesthetics, maintenance and constructability should all be considered when determining wall type to be used. The following wall types are being used or considered for use by the Department.

A. Conventional Cast-in-Place (CIP) Walls:

CIP walls are normally used in either a cut or fill situation. These walls are sensitive to foundation problems. The foundation soil must be capable of withstanding the design bearing pressure and must exhibit very little differential settlement. Judgment should be exercised to assure that during the life of the structure the bearing capacity of the soil will not be diminished (i.e., french drains in close proximity to the walls) thus requiring pile supported walls. This type of wall has an advantage over MSE walls because they can be built with conventional construction methods even in Extremely Aggressive Environments. Another advantage over MSE walls is on cut/widening projects where the area behind the wall is not sufficient for soil reinforcement (See Figures 5-2 and 5-3).

The relative cost of CIP walls is greater than MSE walls when the site and environment are appropriate for each wall type. This is assuming the area of wall is greater than 1000 ft² and greater than 10 feet in height.

B. Pile Supported Walls:

Pile supported walls are utilized when the foundation soil is not capable of supporting the retaining wall and associated dead and live loads on a spread footing.

Pile supported retaining walls are extremely expensive compared to CIP cantilevered and MSE walls and are only appropriate when foundation soil conditions are not conducive for CIP or MSE walls. Pile supported walls are appropriate for cut or fill sites. Temporary sheeting may be required in cut sites (See Figures 5-4 and 5-5).

C. Mechanically Stabilized Earth (MSE) Walls:

MSE walls are not a cure-all for poor foundation soil and are not appropriate for all sites. MSE walls are very adaptable to both cut and fill conditions and will tolerate a greater degree of differential settlement than CIP walls. Because of their adaptability MSE walls are being used almost exclusively. The design of MSE walls with metallic reinforcement, however, is sensitive to the electrochemical properties of the backfill material and to the possibility of a change in the properties of the backfill materials due to submergence in water classified as Extremely Aggressive or from heavy fertilization. The use of geosynthetic reinforcement shall be considered in areas where the water is classified as an Extremely Aggressive Environment when the 100-year flood can infiltrate the backfill, and when the wall is within 12 feet of the Mean High Water (MHW). MSE walls are generally the most economical of all wall types when the area of retaining wall is greater than 1000 ft², and the wall is greater than 10 feet in height (See Figures 5-6 and 5-7).

D. Precast Counterfort Walls:

Precast counterfort walls are applicable in cut or fill locations. Their advantage is in cut locations such as removing front slopes under existing bridges and in certain widening applications where sheet piling would be required to stabilize excavation for earth reinforcements for MSE walls. Also, their speed of construction is advantageous in congested areas where maintenance of traffic is a problem. This type of wall is also applicable in areas where the backfill is or can become classified as extremely corrosive.

This type of wall is generally not as economical as MSE walls but is competitive with CIP walls (See Figure 5-8) and may offer aesthetic and constructability advantages.

E. Steel Sheet Pile Walls (Permanent and Temporary):

Steel sheet pile walls are applicable for use in permanent locations (i.e., bulkheads) but their more common use is for temporary use (i.e., phase construction). Generally steel sheet pile walls can be designed as cantilevered walls up to approximately 15 feet in height. Steel sheet pile walls over 15 feet are tied back with either prestressed soil anchors or deadmen.

Steel sheet pile walls are relatively expensive initially and require periodic maintenance (i.e. painting, cathodic protection). This type of wall should only be used if there are no other more economical alternates (See Figure 5-9).

Refer to Chapter 8 for design criteria.

F. Concrete Sheet Piles:

Concrete sheet piles are primarily used as bulkheads in either fresh or saltwater. Rock in close proximity to the ground surface is a concern with this type of wall as they are normally installed by jetting. Concrete sheet piles when used as bulkheads are normally tied back with deadmen.

This type of wall is relatively costly and should only be used when less costly alternates are not appropriate or when the environment is appropriate (See Figure 5-10).

G. Wire Faced Walls (Temporary):

Wire faced walls are applicable in temporary situations, phase construction where large amounts of settlement are anticipated or where surcharges are required to accelerate settlement. This type of wall is a form of MSE wall. The soil reinforcement may be either steel or geogrid. The designer shall verify the systems he intends to use have been pre-approved. Pre-approved companies have their standard details in the **Roadway and Traffic Design Standards** or on the Structures Design Office's Internet Homepage (See Figure 5-11).

H. Soil Nails:

The Department is allowing the use of soil nails. The relative cost of this type wall has not been determined because Contractors have yet to bid this alternate (See Figure 5-12).

I. Soldier Pile/Panel Walls:

This type of wall is applicable in bulkheads and retaining walls where the environment is Extremely Aggressive and/or rock is relatively close to the ground surface. The cost of this type wall is very competitive with concrete sheet pile walls (See Figure 5-13).

J. Modular Block Walls:

Modular blocks consist of drycast, unreinforced blocks which are sometimes used as a gravity wall and sometimes used as a wall facing for a MSE variation normally utilizing a geogrid for soil reinforcement. The Department is considering systems of this type for low-height, non-structural applications only.

K. Geogrid Soil Reinforcement for Retaining Walls:

Geogrids are presently approved for use in temporary and select (Extremely Aggressive Environments) permanent walls only. Their use in permanent walls is being reviewed. Some of the concerns about geogrids are the long term stress-strain characteristics of polymers, hydrolysis of polyesters, environmental stress cracking, and brittle rupture of polyolefins (high density polyethylene, polyethelene and polypropylene) and appropriate factors to ensure an allowable stress condition at the end of the structure's service life.

L. Permanent - Temporary Wall Combination:

As more highways are widened, problems have been encountered at existing grade separation structures. The existing front slope at the existing bridge must be removed to accommodate a new lane and a retaining wall must be built under the bridge. Several methods have been used to remove the existing front slope and maintain the stability of the remaining soil. One method is to excavate slots or pits in the existing fill to accommodate soldier beams. The soil is then excavated and timber lagging is placed horizontally between the vertical soldier beams. The soldier beams are tied-back by the use of prestressed soil anchors. This procedure will maintain the soil while the permanent wall is built. The permanent wall should be designed to accept all appropriate soil, dead and live loads. The temporary lagging shall not contribute to the strength of the permanent wall (See Figure 5-3).

M. Hybrid - Gravity/MSE Wall:

Hybrids are basically gravity systems with some MSE characteristics. The FDOT approved system has a concrete stem that extends into the fill a sufficient length to satisfy the external stability requirement for the wall. However, due to its rigid stem, the system is sensitive to both longitudinal and transverse settlement. This system can be used in cut and/or fill applications (See Figure 5-15)

N. Earth Loads for Wall Design

In lieu of lateral earth loads on walls developed from a Coulomb earth pressure, the Rankine earth pressure may be used. If the Rankine earth pressure is used, the resultant lateral earth load can be assumed to be located at the centroid of the earth pressure diagram.

5.5.2 Design of MSE Walls

A. Corrosion Rates:

Delete the corrosion rates specified in **LRFD** Article [11.9.8.1] and substitute in lieu thereof the following requirements:

The following corrosion rates for metallic reinforcement apply to non-corrosive (Slightly or Moderately Aggressive) Environments only:

- 1.) Zinc (first 2 years) 15 microns/year
- 2.) Zinc (subsequent years to depletion) 4 microns/year
- 3.) Carbon Steel (after depletion of zinc)..... 12 microns/year
- 4.) Carbon Steel (75 to 100 years)..... 7 microns/year

Metallic reinforcement shall **not** be used in Extremely Aggressive Environments without approval from the State Structures Design Engineer.

B. Soil Reinforcement:

- 1.) Soil Reinforcement and connections for permanent walls shall be designed for a design life of 75 years except for walls supporting abutments on spread footings which shall be designed for a design life of 100 years.
- 2.) Soil Reinforcement for temporary walls shall be designed for a design life of not less than the contract time of the project or three years whichever is greater.
- 3.) The stress in the steel soil reinforcement shall not exceed $0.55F_y$ for steel straps, and $0.48F_y$ for welded wire mats or grids. The steel shall be ASTM A82, Grade 60.
- 4.) Vertical stresses at each reinforcement level shall include consideration for local equilibrium of all forces to that level only and shall include the effects of any eccentricity.
- 5.) Steel soil reinforcement for permanent walls shall be galvanized. Steel soil reinforcement for temporary walls may be galvanized or uncoated (black) steel.
- 6.) Epoxy coated reinforcement of as specified in **LRFD [11.9.8.1]** is not permitted. Passive metal soil reinforcement (i.e., stainless steel, aluminum alloys, etc.) is permitted for use only with written approval of the SDO.
- 7.) Geosynthetic Geogrids shall comply with Chapter 31 of the **Plans Preparation Manual**, Volume I (Topic No. 625-000-005).
- 8.) Soil reinforcement shall not be skewed more than 15 degrees from a position normal to the wall panel unless necessary and clearly detailed for acute corners.
- 9.) In addition to **LRFD Article [11.9.5.1.4]**, soil reinforcement lengths, "L", measured from the back of the facing element, shall not be less than the greater of the following:

MSE Walls and Walls in Front of Abutments on Piling **[11.9.5.1.4]**

L = 8 feet minimum length.

L = $0.7 H_1$, H_1 = mechanical height of wall, in feet

(See Figures 5-16 and 5-17)

L = length in feet, required for external stability design.

MSE Walls In Front of Abutments on Spread Footings **[11.9.7]**

L = 22 feet

L = $0.6 H_1 + 6$ feet

L = $0.7 H_1$

Commentary:

As a rule of thumb, for an MSE structure with reinforcement lengths equal to 70% of mechanical height, the anticipated maximum calculated bearing pressure can be anticipated to be about 135% of the overburden weight of soil and surcharge. It may be necessary to increase the reinforcement

length for external stability to assure that the allowable bearing pressure specified equals or exceeds this value.

10.) External Stability:

The required factors of safety for the external stability are as follows:

Overturning	2.0
Sliding	1.5
Internal Pullout.....	1.5 (Allowable deformation ¾ inch)
Bearing Capacity	2.5
Overall Stability.....	1.5

The backfill soil parameters for the analyses are:

Sand fill (statewide except Dade and Monroe counties)

Moist unit weight 105 pcf min.

Friction angle30 degrees.

Limerock fill (Dade and Monroe counties only)

Moist unit weight 115 pcf

Friction angle34 degrees

For steel reinforcements, consider the following requirements:

For Bars and Straps

F_y' 0.55 F_y at end of design life.

F_u 0.55 F_u at net section of bolted connection

For Grids and bar mats

F_y' 0.48 F_y

Maximum pullout factors:

f_{max}^* 1.5 for ribbed strips

N_{pmax} 30 for grids and bar mats

For geogrids, the properties can be found in the Index 501 of the Roadway and Traffic Standards (January 2000, English Units.)

H_1 , the mechanical height, of an MSE structure shall be taken as the height measured to the point where the potential failure plane (line of maximum tension) intersects the ground surface, as shown in Figure 5-16 and 5-17 and can be calculated using the equation provided in Figure 5-16. The methodology for this analysis is included in FHWA publication ***FHWA-SA-96-072 Mechanically Stabilized Earth Walls and Reinforced Soil Slopes Design and Construction Guideline*** In addition to the two conditions shown in AASHTO, horizontal backslope and infinite sloping backfill, we are including Figures 5-16 and 5-17 to illustrate broken back slope conditions with and without traffic surcharge. If the break in the slope behind the wall facing is located within two times the height of the wall (2H), then the broken back slope design shall

apply. If a traffic surcharge is present and is located within $0.5H$ of the back of the reinforced soil mass, then it shall be included in the analysis.

The Geotechnical Engineer of Record for the project is responsible for designing the strap lengths for the external conditions shown in Figure 5-1 and any other conditions that are appropriate for the site.

- 11.) Acute corners less than 75 degrees (MSE Walls):
When two walls intersect forming an internal angle of less than 75 degrees, the nose section shall be designed as a bin wall. The calculations for this special design shall be submitted with the plans for review and approval. Structural connections between the wall elements within the nose section shall be designed to create an at-rest bin effect without eliminating the flexibility of the facing to tolerate differential settlements. The design for connections to facing elements and allowable stresses in the connecting members shall conform to the requirements for the wall design in general. The nose section shall be designed to settle differentially from the remainder of the structure with a slip joint. Facing panel overlap or interlock or rigid connection across that joint is not permitted.
Soil reinforcements shall be designed to restrain the nose section by connecting directly to each of the facing elements in the nose section and running back into the backfill of the main reinforced soil mass at least to a plane 10 feet beyond a Rankine failure surface. Design for facing connections, obstructions, pullout and allowable stresses in the reinforcing elements shall conform to the requirements of the wall design in general (See Figure 5-18).
- 12.) Minimum Wall embedment in the soil:
Shall be determined by consideration of both scour and bearing capacity. The District Drainage and Geotechnical Engineers shall be consulted in determining the elevation of the top of leveling pad which must also conform to a minimum embedment to the top of leveling pad of 1'-6" as determined in Figure 5-19.
- 13.) Apparent Coefficient of Friction (f^*):
The coefficient of friction (f^*) need not be reduced for backfills that are saturated and are properly placed and compacted.
- 14.) Connections (MSE Walls):
The soil reinforcement to facing panel connection shall be designed to assure full contact. Normally mesh and bar mats are connected to the facing panel by a pin passing through loops at the end of the reinforcement and loops inserted into the panels. If these loops are not aligned, then some reinforcement will not be in contact with the pins causing the remaining reinforcement to be unevenly stressed and/or over stressed. If the quality of this connection cannot be assured then the allowable stress in the soil reinforcement and its connections should be reduced accordingly.

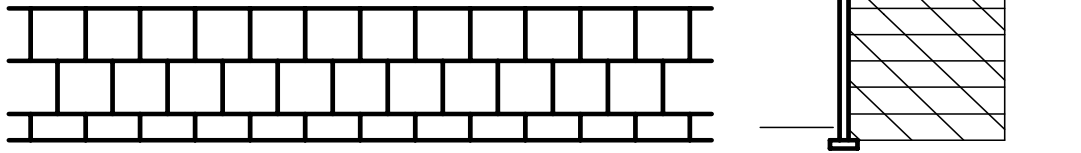
- 15.) End Bents Behind MSE Walls:
- a.) End Bents on Piling:
 - i.) All end bent piles must be plumb.
 - ii.) The front face of the end bent cap or footing shall be a minimum distance of 2 feet behind the front face of the wall. (2 feet minimum clear distance between face of piling and leveling pad). This dimension is based upon the use of 18 inch piles. For larger piles, the clear distance between the wall and pile shall be increased such that no strap is skewed more than 15 degrees.
 - iii.) Soil reinforcement to resist the overturning produced by the earth load, friction, and temperature shall be attached to end bents. If the long-term settlement exceeds 4 inches, the reinforcement shall not be attached to the end bent. In this event, a special wall behind the backwall shall be designed to accommodate the earth load.
 - b.) End Bents on Spread Footings:
 - i.) The spread footing shall be sized so that the bearing pressure shall not exceed 3000 psf.
 - ii.) The footing shall be a minimum distance of 1 foot behind the facing panel.
 - iii.) The minimum distance between the centerline of bearing on the end bent and the back of the facing panel shall be 4 feet.
- 16.) Facing Panels (MSE Walls) **[11.9.5.1.6]**:
- a.) The basic (typical) panel size shall not exceed 40 ft² in area, and special panels (top out, etc.) shall not exceed 50 ft² in area. Full-height facing panels shall not exceed 8 feet in height. Use of larger panels will be considered by the SDO on a case-by-case basis. The reinforcing steel concrete cover shall comply with Table 2.2.
- 17.) Soil reinforcement shall not be attached to piling, and abutment piles shall not be attached to any retaining wall system.
- 18.) The horizontal soil reinforcement connection force of 85% of the maximum calculated force as stated in **LRFD** Article **[11.5.1.2]** shall be modified to a minimum of 100% T_{max} , where:
 $T_{max} = T_a$ (maximum stress in soil reinforcement)
- 19.) Creep reduction factors in geosynthetic soil reinforcement shall be included in seismic designs.
- 20.) In addition to **LRFD** Article **[11.9.4.3]** for overturning, the following shall also apply:
Use a soil resistance factor of 0.67 for overturning.
Polymeric Reinforcements in Soils, **LRFD** Article **[11.9.5.1.3]** shall be supplemented with the following:
For geosynthetics, T_a shall not exceed the following values:

- a.) $T_a = 17\% T_{ult}$ for permanent walls and critical temporary walls.
- b.) $T_a = 29\% T_{ult}$ for temporary walls.
- c.) Minimum Front Face Embedment:
The minimum front face embedment shall comply with Figure 5-19.
- d.) Utilities:
No utilities should be allowed in the soil reinforced zone behind MSE or tied-back walls.

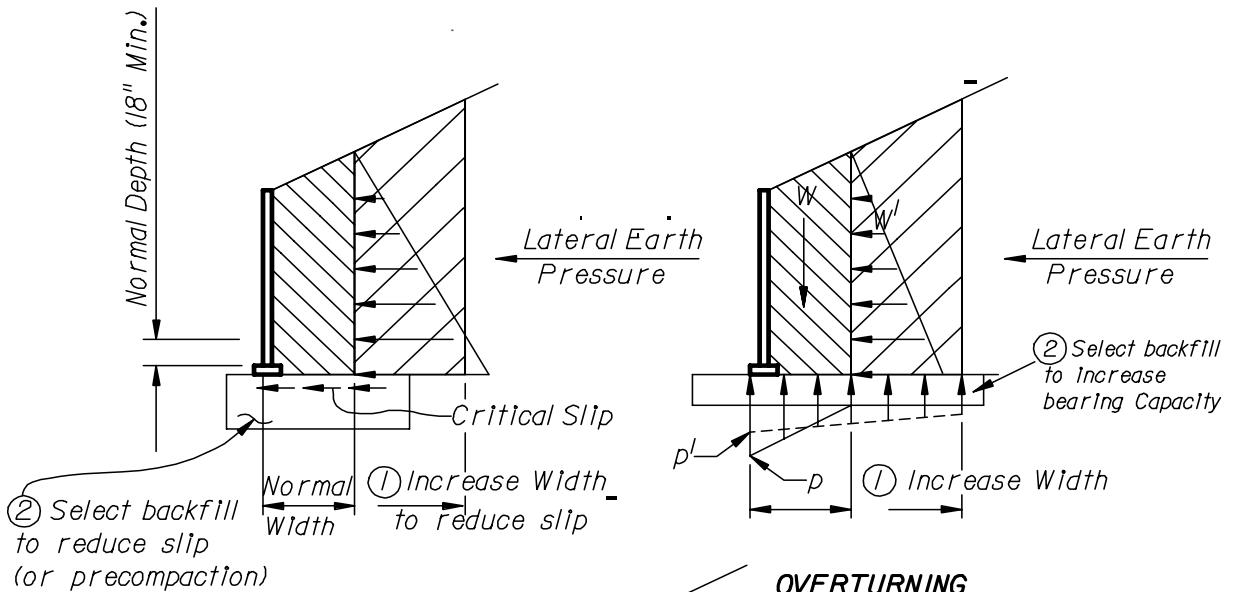
Commentary:

When utilities are placed in the reinforced zone, they cannot be maintained because excavation in this zone will compromise the structural integrity of these types of walls. Furthermore, pipes carrying fluids, if cracked or broken, could also wash out and destroy the structural integrity of the wall.

PROPRIETARY RETAINING WALLS

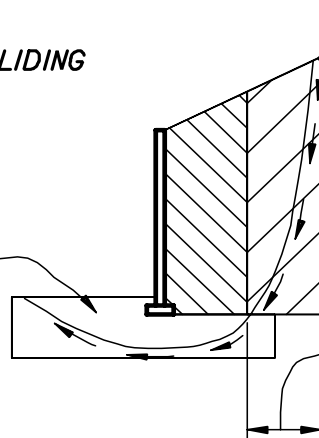


INTERNAL STABILITY – Designed by Wall Company
(Considers only wall panel connections & strap length)



SLIDING

① Select backfill or precompact material in area of critical slip plane



ROTATIONAL SLIP PLANE

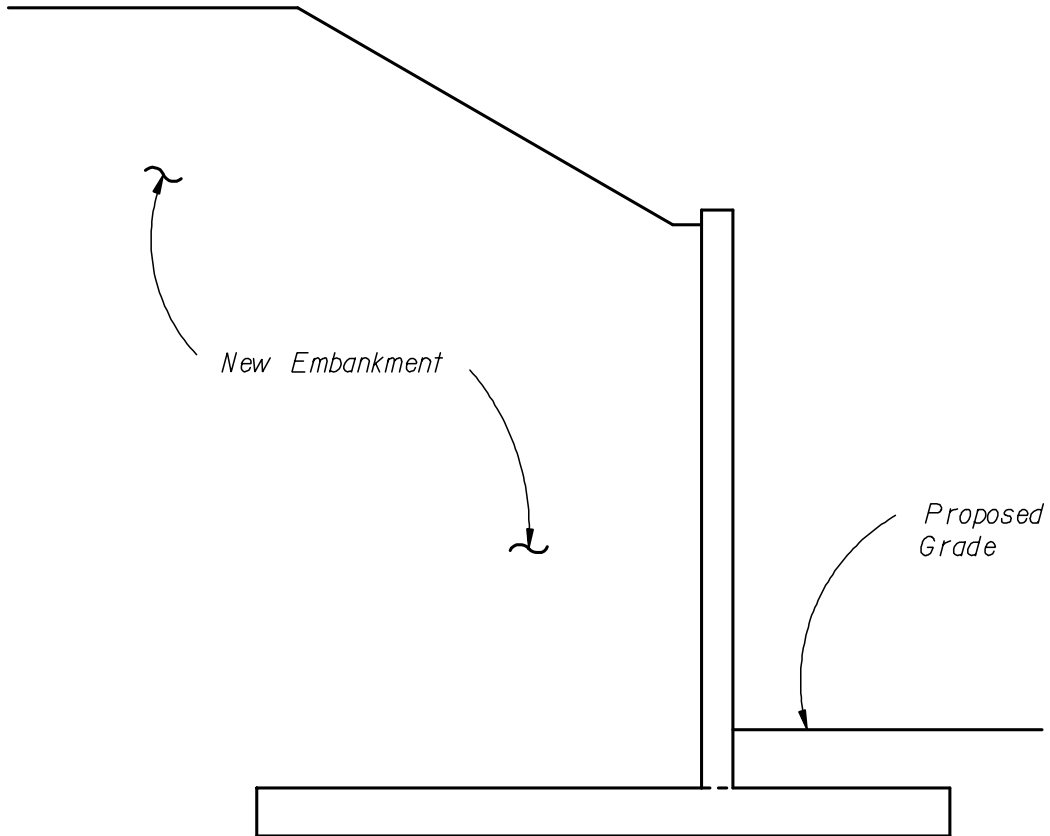
② Increase length of critical slip plane by increasing width or strap length. However, driving weight is also increased.

OVERTURNING

Reduce overturning (or toe pressure) by increasing width (strap length) or use select backfill.

EXTERNAL STABILITY – Designed by Engineer of Record

Figure 5-1



C I P WALL
(Fill Location)

Figure 5-2

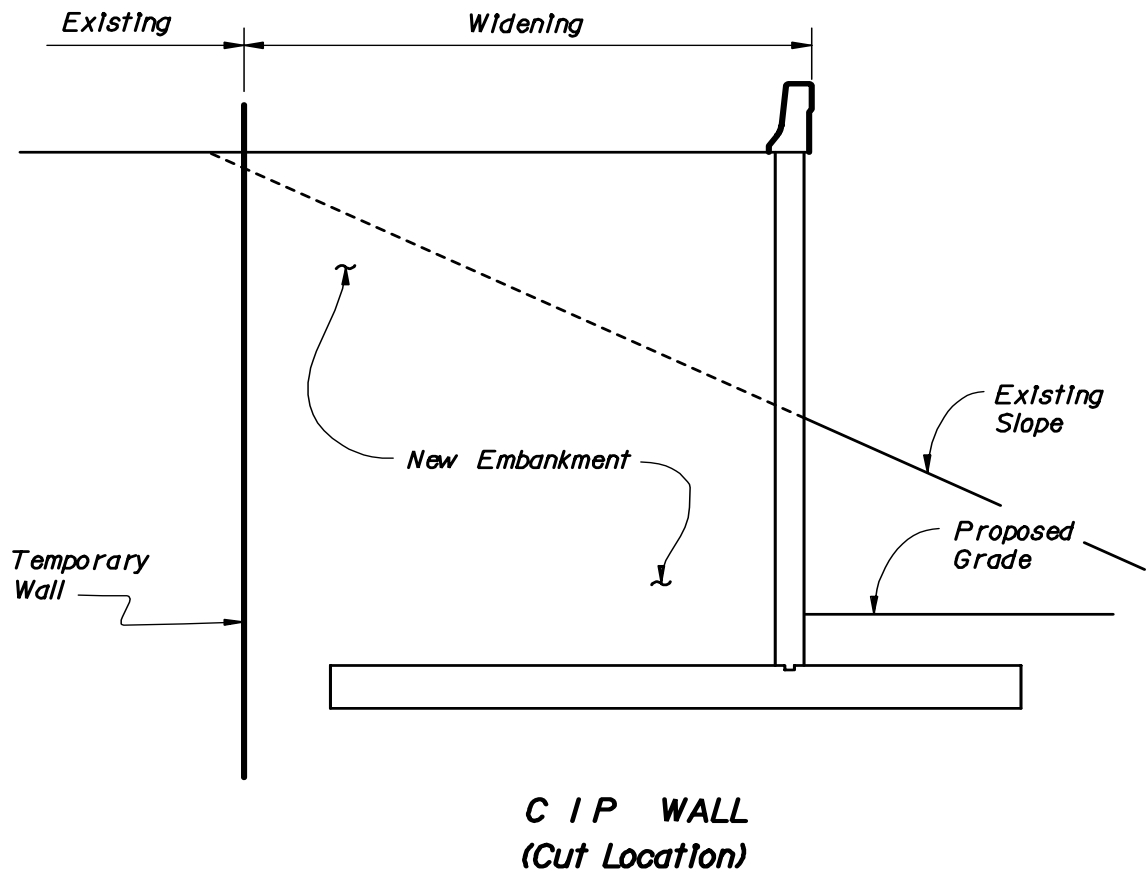
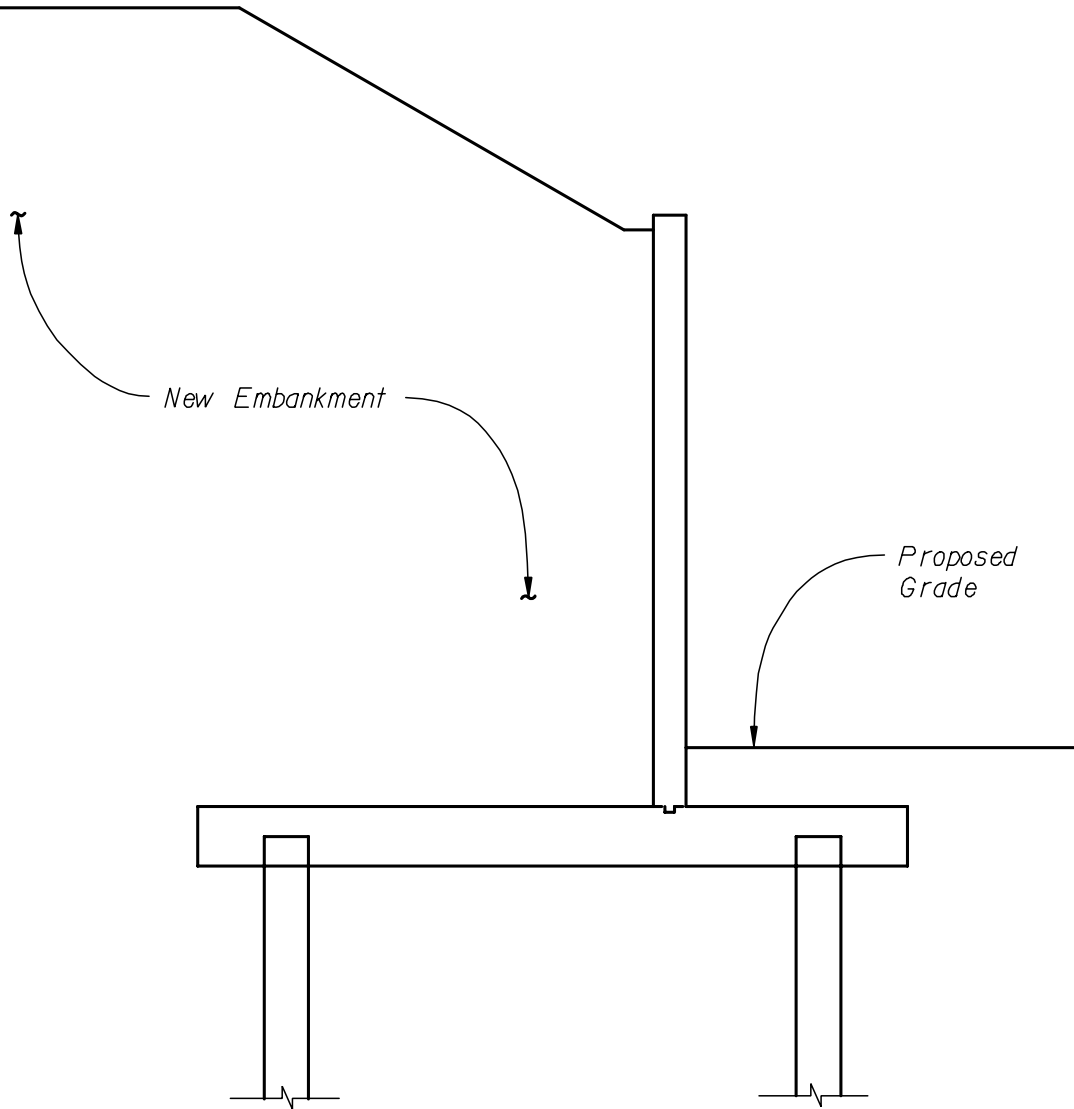
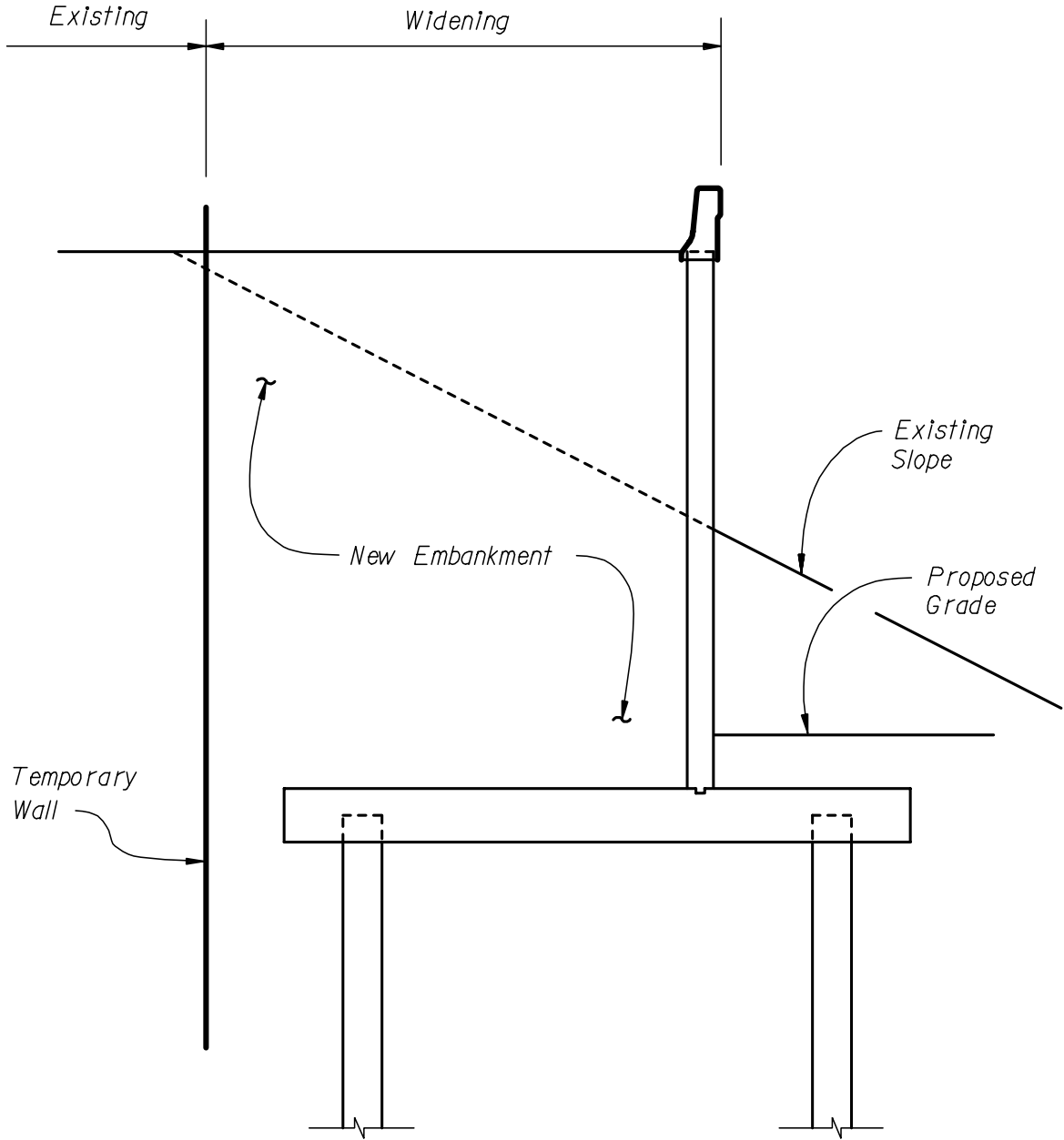


Figure 5-3



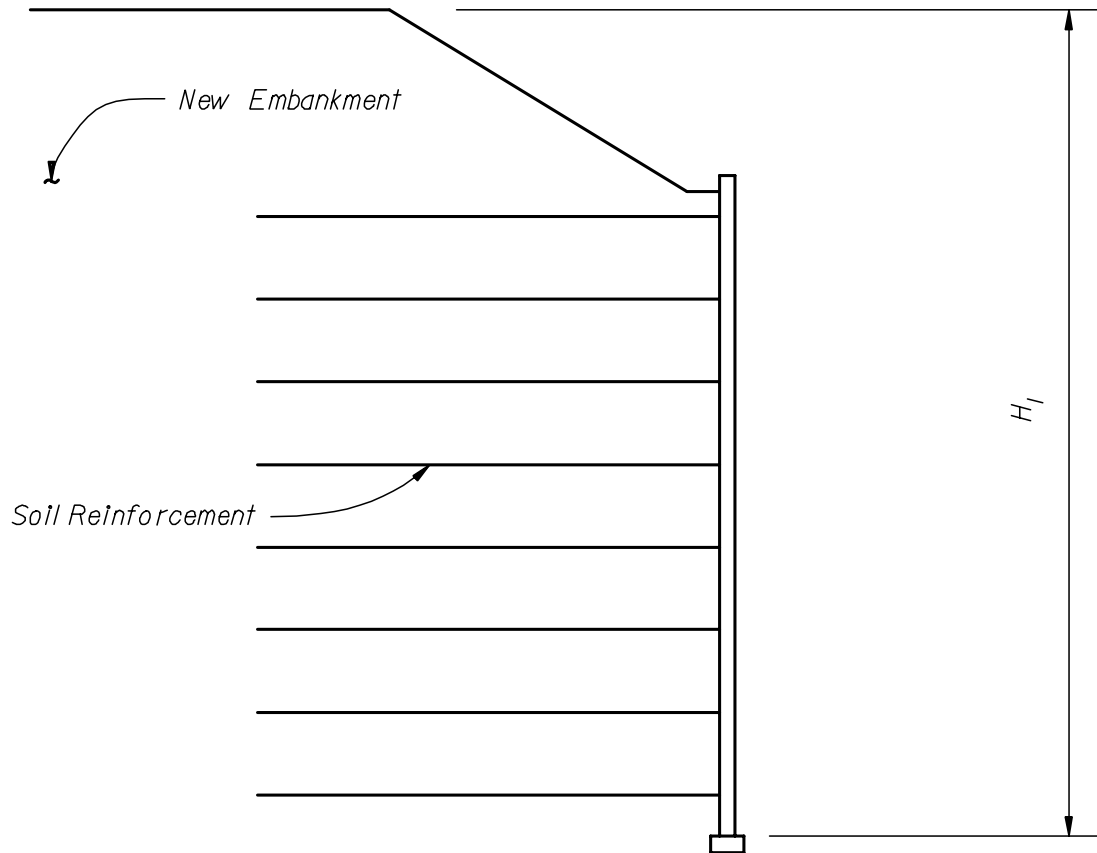
**C I P WALL - PILE SUPPORTED
(Fill Location)**

Figure 5-4



**C I P WALL - PILE SUPPORTED
(Cut Location)**

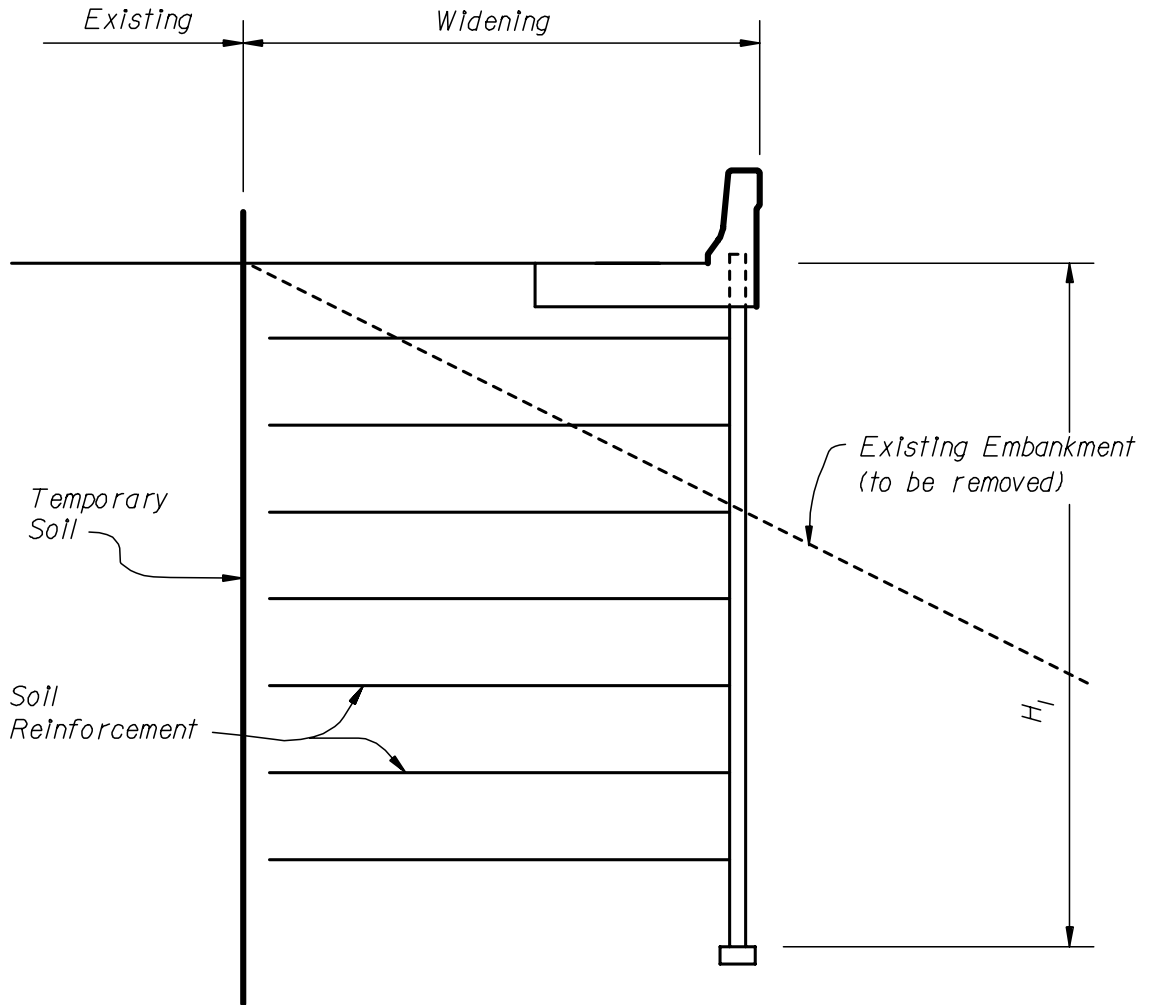
Figure 5-5



$H_1 =$ Mechanical Height of Wall

**MSE WALL
(FILL LOCATION)**

Figure 5-6



$H_1 = \text{Mechanical Height of Wall}$

**MSE WALL
(Cut Location)**

Figure 5-7

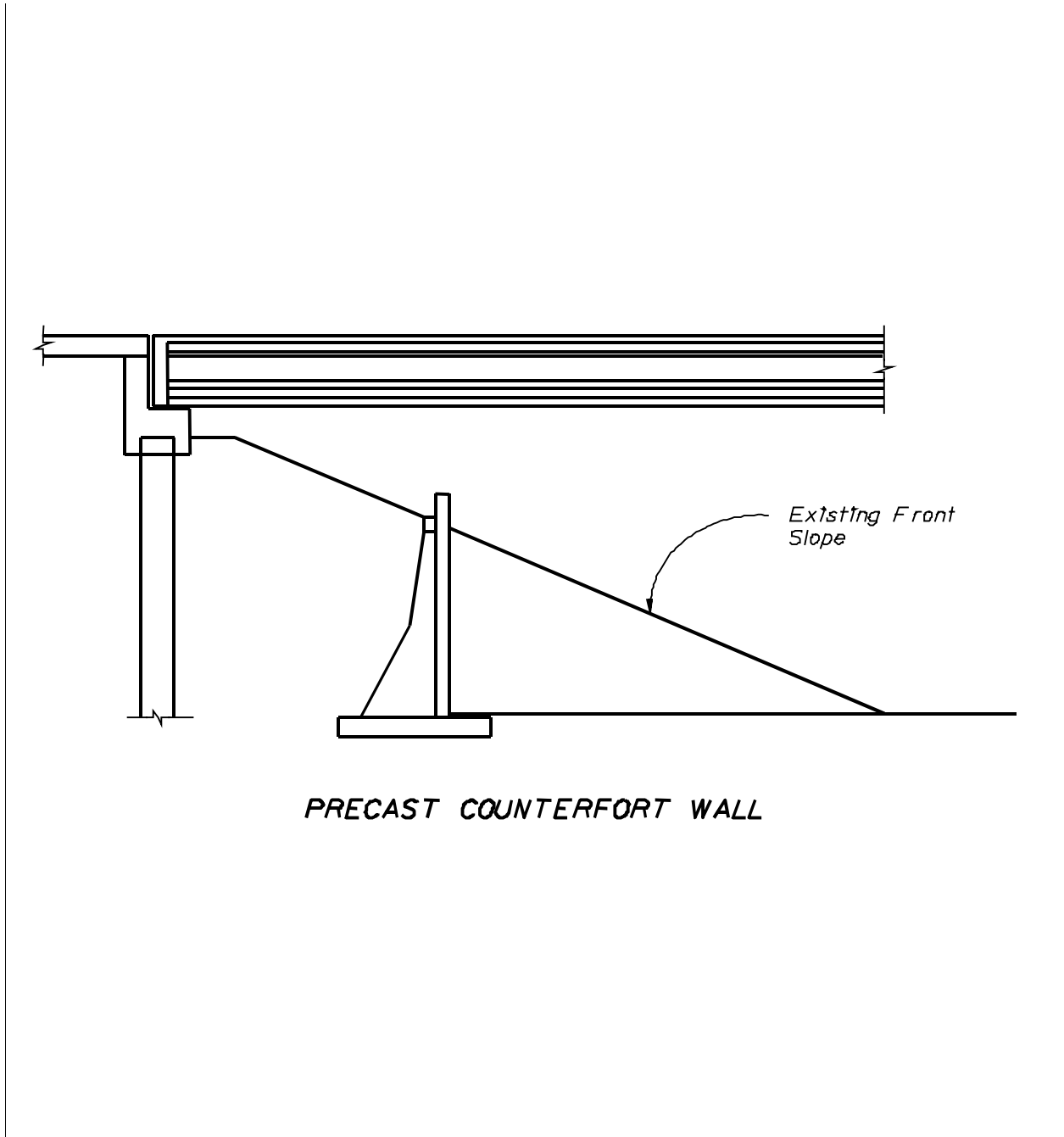


Figure 5-8

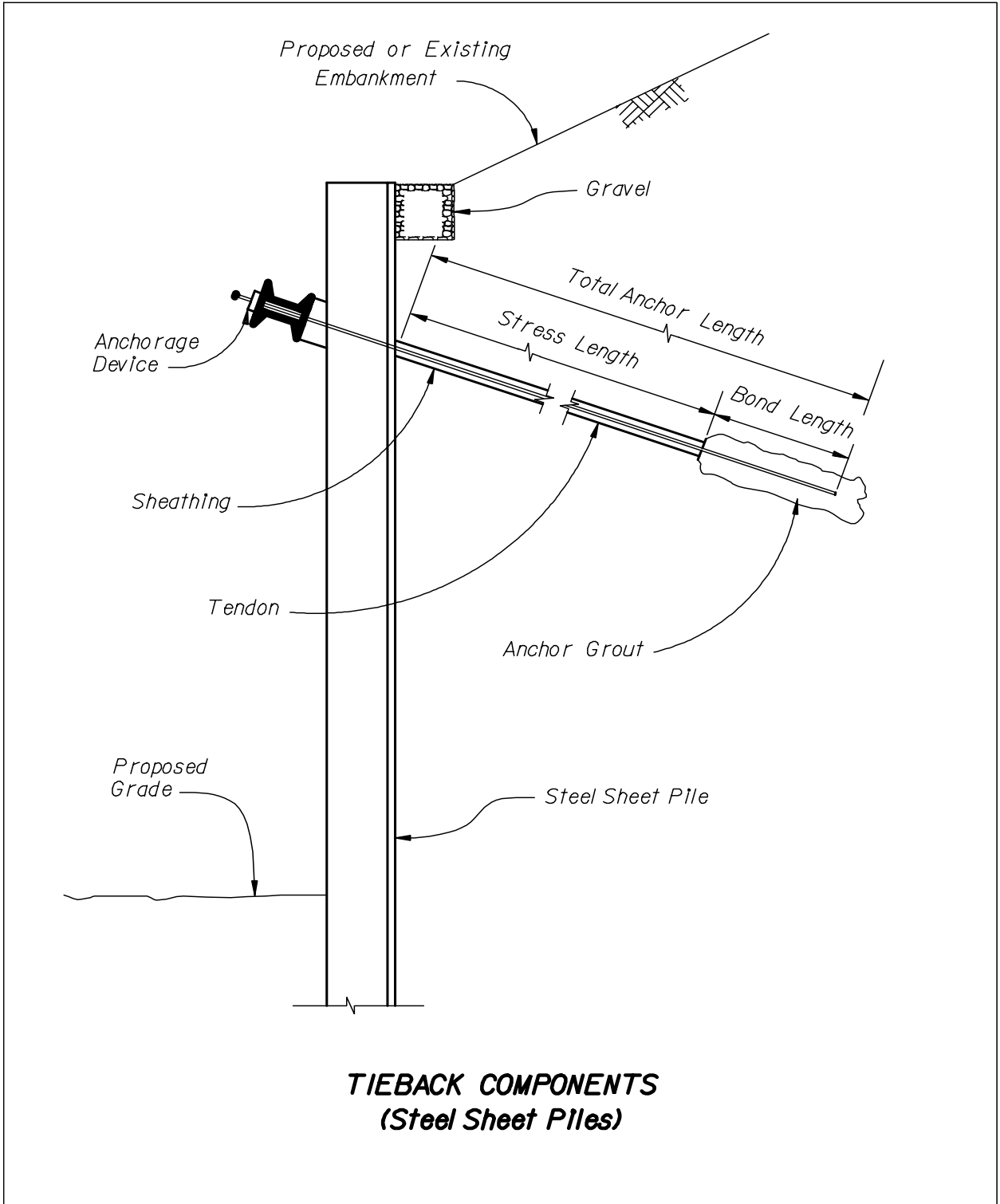


Figure 5-9

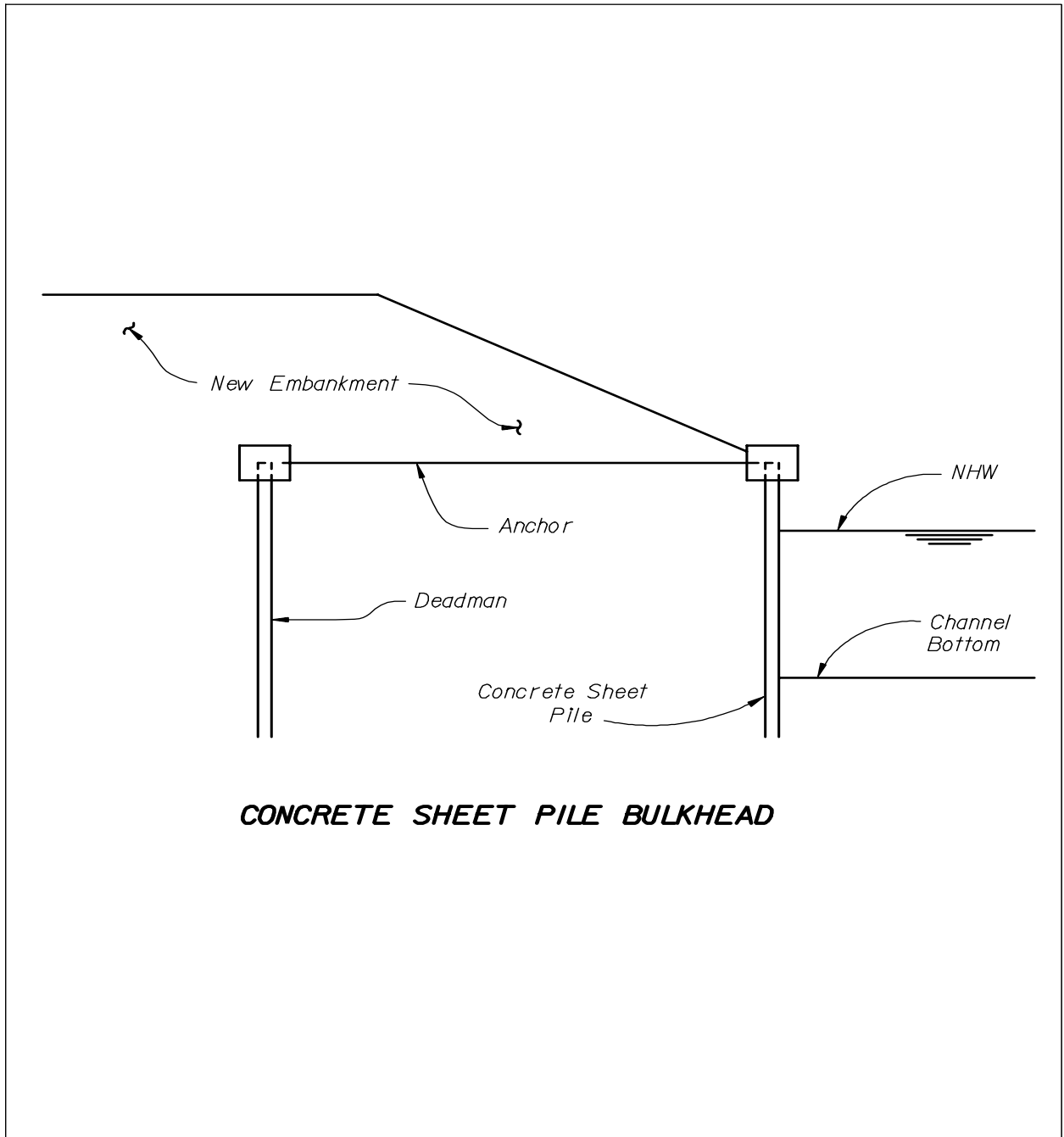
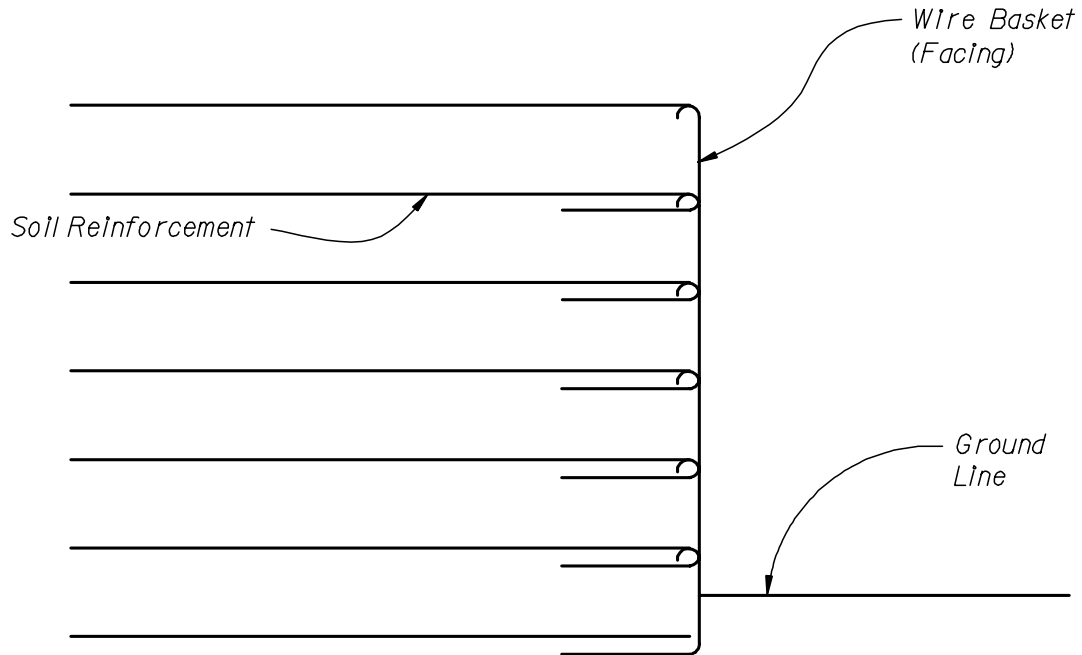


Figure 5-10



*WIRE FACED - MSE WALL
(For Temporary Wall Only)*

Figure 5-11

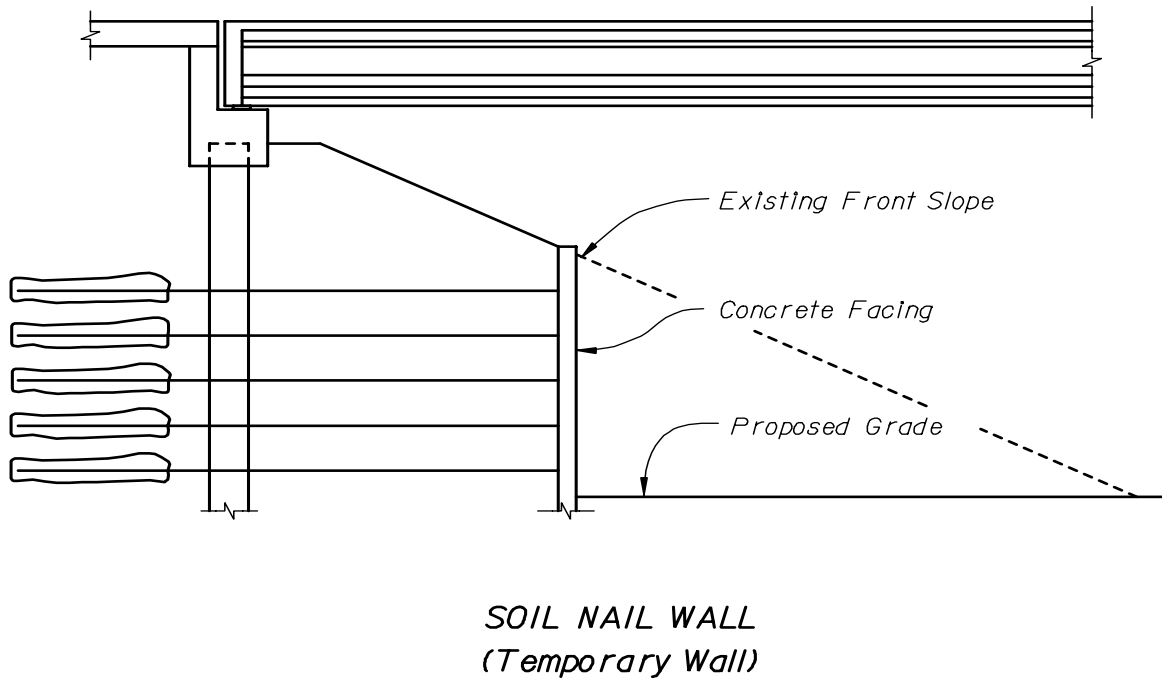


Figure 5-12

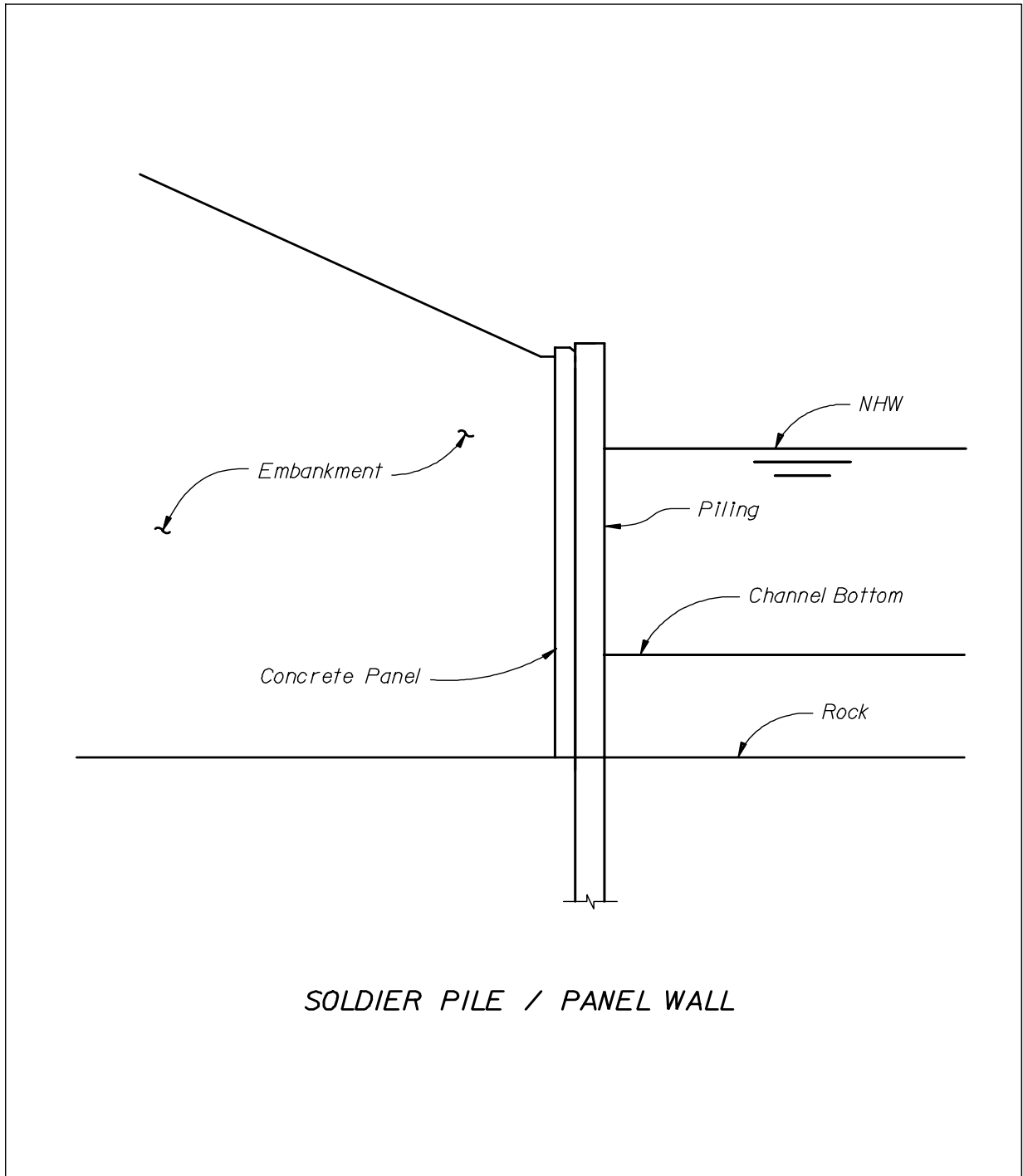
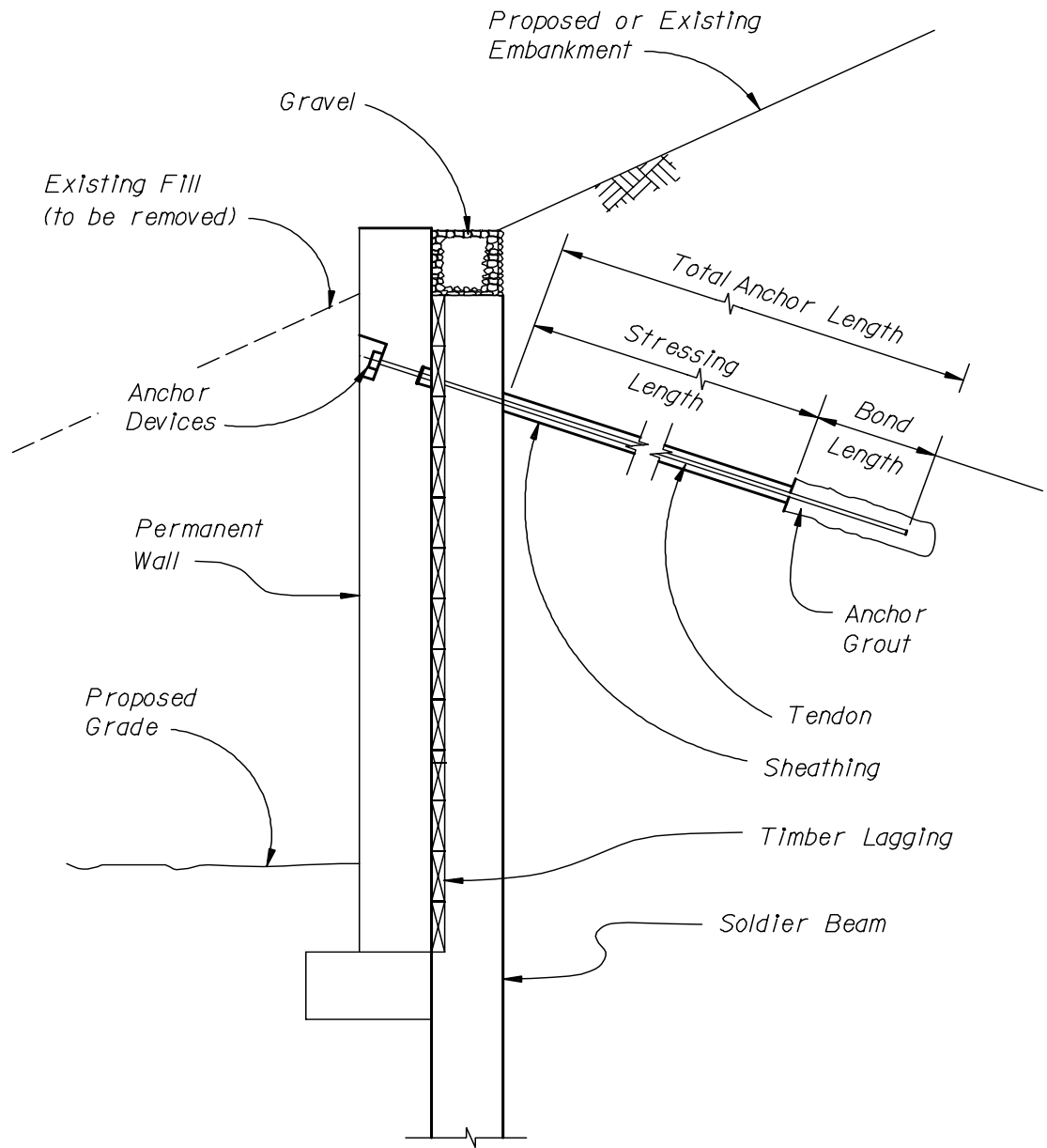


Figure 5-13



**TIEBACK COMPONENTS
(Soldier Beams)**

Figure 5-14

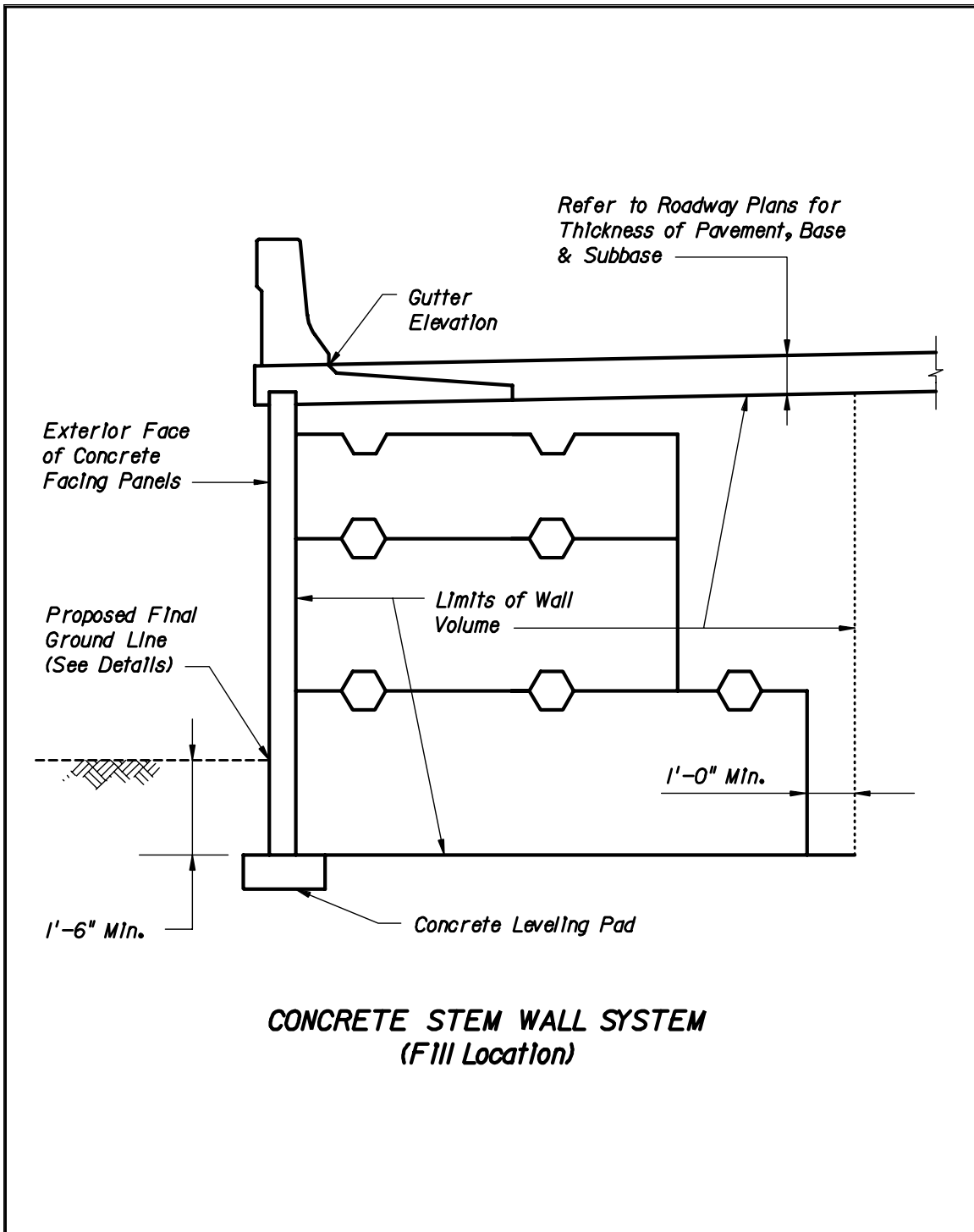
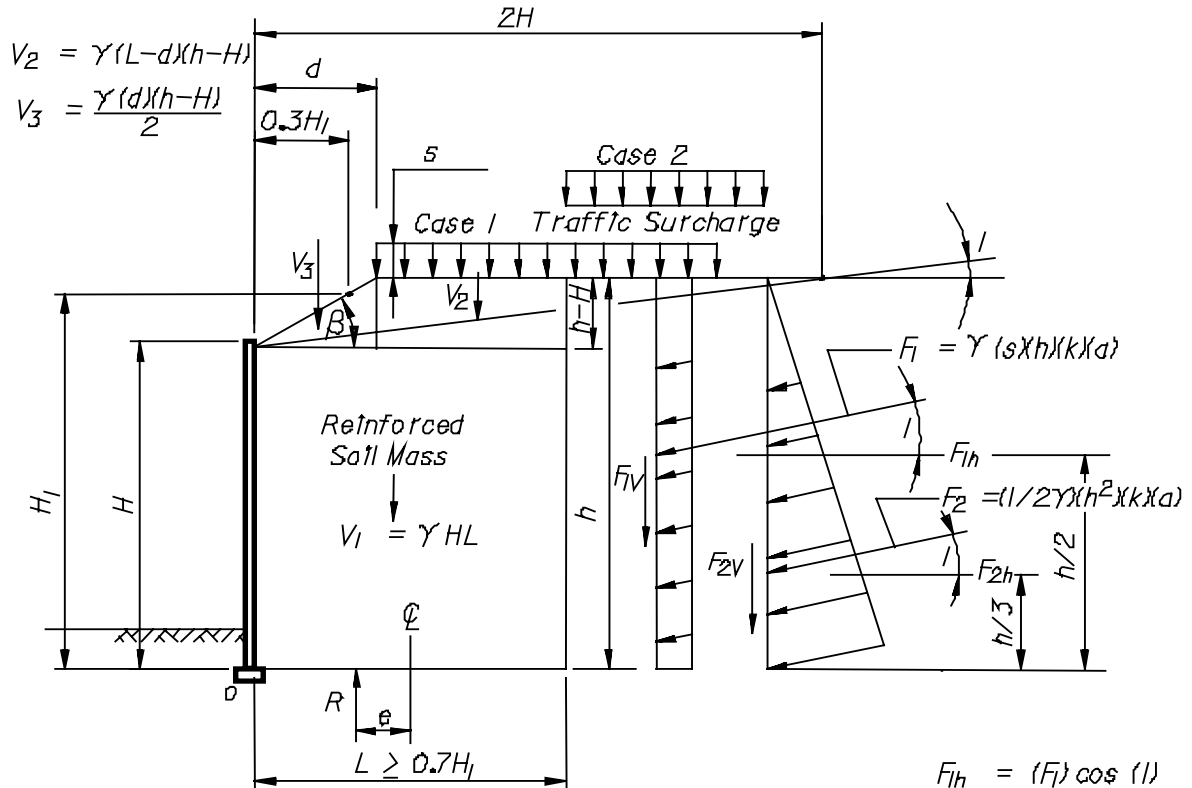


Figure 5-15



Case 1 used for maximum bearing pressure calculations.
Case 2 used for external stability and bond calculations.

$$\begin{aligned} F_{1h} &= (F_1) \cos(\beta) \\ F_{1v} &= (F_1) \sin(\beta) \\ F_{2h} &= (F_2) \cos(\beta) \\ F_{2v} &= (F_2) \sin(\beta) \end{aligned}$$

$$H_1 = H + \frac{(\tan \beta)(0.3H)}{(1 - 0.3 \tan \beta)} \quad (\text{Mechanical Height})$$

$$K_a \text{ For Random Fill: } K_a = \cos(\beta) \left[\frac{\cos(\beta) - \sqrt{\cos^2(\beta) - \cos^2 \phi}}{\cos(\beta) + \sqrt{\cos^2(\beta) - \cos^2 \phi}} \right]$$

Safety Factor Against Overturning (Moments About Point O):

$$S.F.(O) = \frac{\sum \text{Moments Resisting (Mr)}}{\sum \text{Moments Overturning (Mo)}} = \frac{V_1(L/2) + V_2\left(\frac{L-d}{2} + d\right) + V_3\left(\frac{2d}{3}\right) + F_{1v}(L) + F_{2v}(L)}{F_{1h}(h/2) + F_{2h}(h/3)} \geq 2.0$$

Safety Factor Against Sliding:

$$S.F.(S) = \frac{\sum \text{Horizontal Resisting Force (s)}}{\sum \text{Horizontal Driving Force (s)}} = \frac{(V_1 + V_2 + V_3 + F_{1v} + F_{2v}) \times \tan \phi}{F_{1h} + F_{2h}} \geq 1.5$$

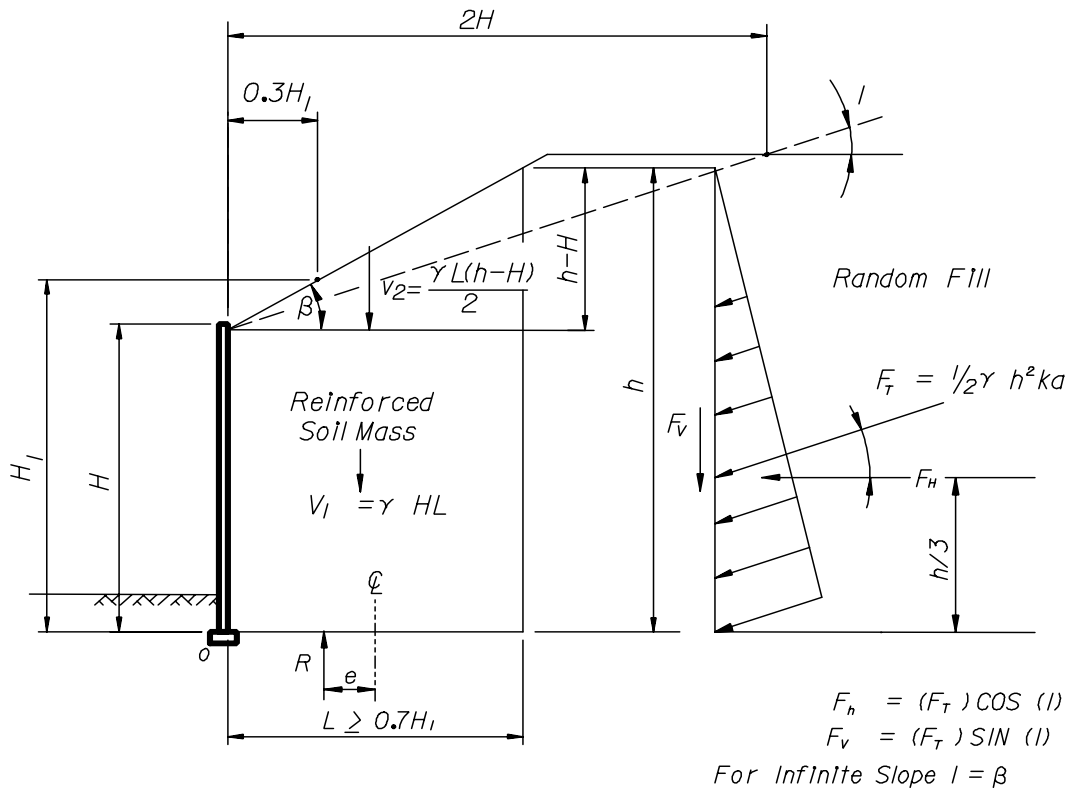
ϕ = Friction Angle of Backfill or Foundation, whichever is lowest.

$$e = \frac{L}{2} - \frac{Mr - Mo}{R} \leq \frac{L}{6} \quad \sigma_v = \frac{R}{L - 2e}$$

Where: e = Eccentricity R = Resultant of Vertical forces $(V_1 + V_2 + V_3 + F_{1v} + F_{2v})$

BROKEN BACK BACKFILL CASE WITH TRAFFIC SURCHARGE

Figure 5-16



$$H_1 = H + \frac{(\tan \beta) 0.3H}{(1 - 0.3 \tan \beta)} \quad (\text{Mechanical Height})$$

K_a For Random Fill : $K_a = \cos (i) \left[\frac{\cos (i) - \sqrt{\cos^2 i - \cos^2 \phi}}{\cos (i) + \sqrt{\cos^2 i - \cos^2 \phi}} \right]$

SAFETY FACTOR AGAINST OVERTURNING (MOMENTS ABOUT POINT O) :

$$S.F.(O) = \frac{\sum \text{Moments Resisting } (Mr)}{\sum \text{Moments Overturning } (Mo)} = \frac{V_1(L/2) + V_2(2L/3) + F_v(L)}{F_h(h/3)} \geq 2.0$$

SAFETY FACTOR AGAINST SLIDING:

$$S.F.(S) = \frac{\sum \text{Horizontal Resisting Force } (s)}{\sum \text{Horizontal Driving Force } (s)} = \frac{R \tan \phi}{F_h} \geq 1.5$$

ϕ = Friction Angle of Backfill or Foundation, whichever is lowest.

$$e = \frac{L}{2} - \frac{Mr - Mo}{R} < \frac{L}{6} \quad \sigma_v = \frac{R}{L - 2e}$$

Where: e = Eccentricity R = Resultant of Vertical forces $V_1 + V_2 + F_v$

BROKEN BACK BACKFILL CASE WITHOUT TRAFFIC SURCHARGE

Figure 5-17

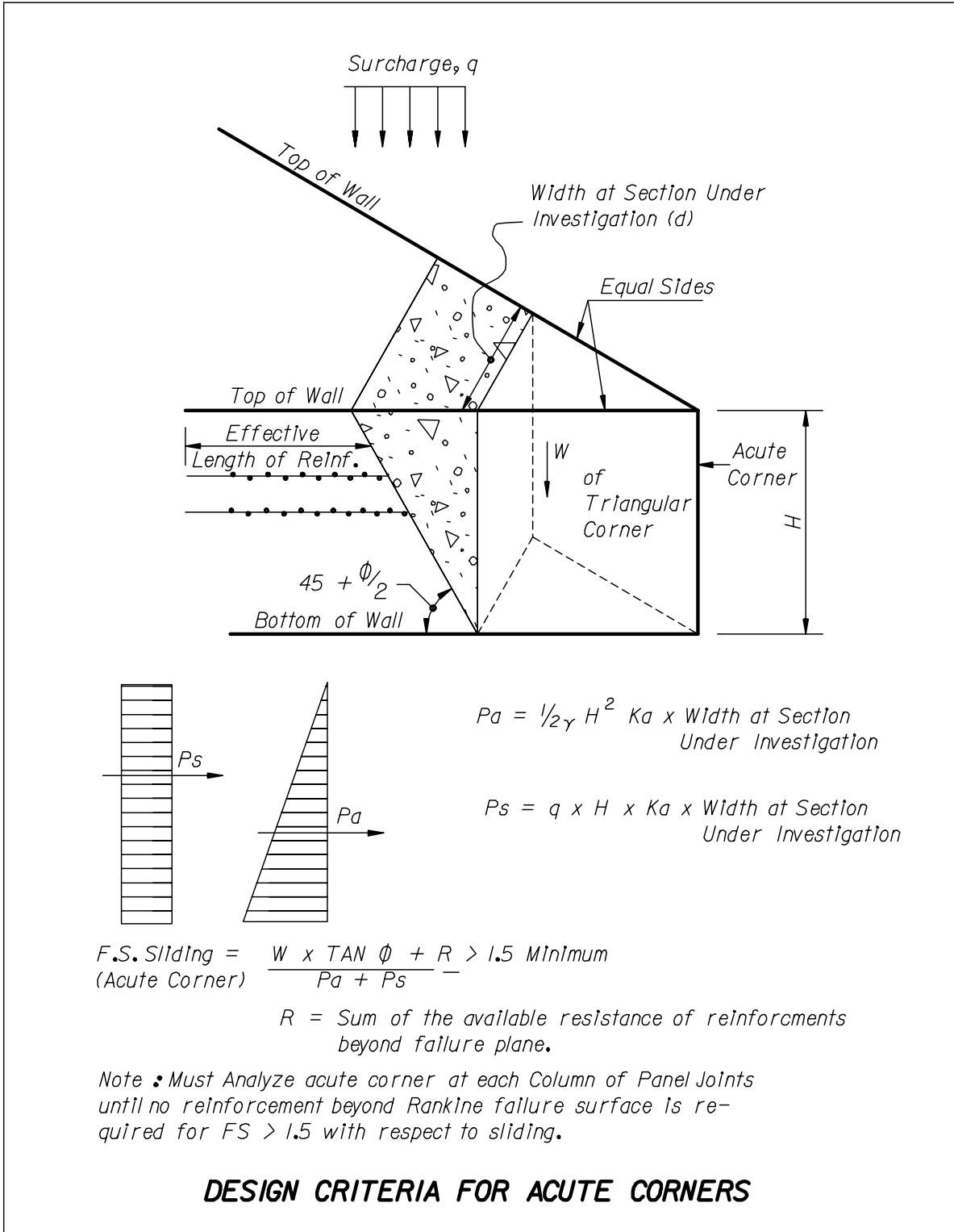
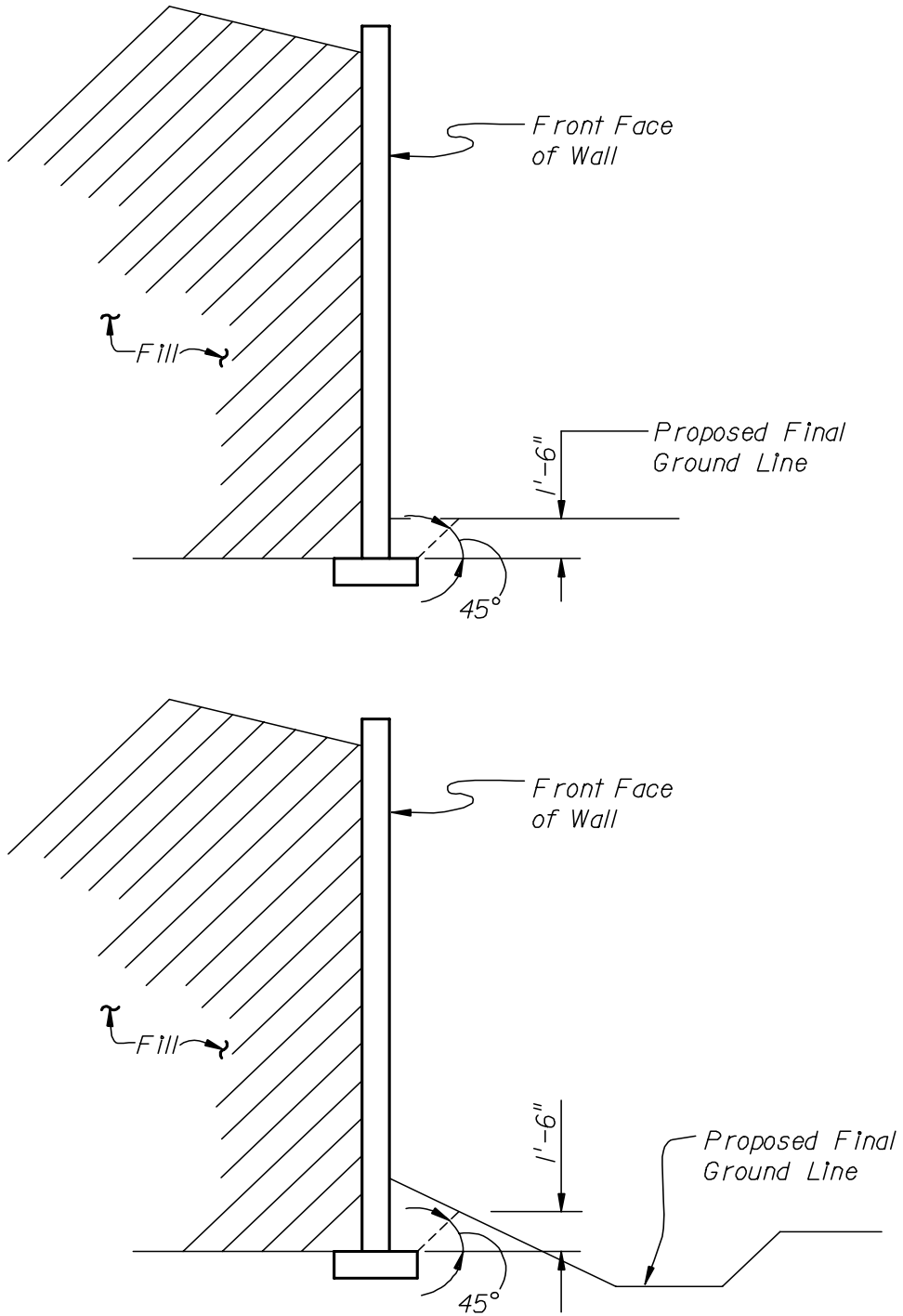


Figure 5-18



MINIMUM EMBEDMENT
Figure 5-19

CHAPTER 6

SUPERSTRUCTURE ELEMENTS AND APPURTENANCES

6.1 General	6-1
6.2 Curb and Median Heights on Bridges [13.11].....	6-1
6.3 Deck Drainage Systems [2.6.6].....	6-1
6.3.1 Deck Drains	6-1
6.3.2 Drain Conveyances	6-1
6.4 Traffic Railing Barriers [13.7].....	6-2
6.4.1 General Requirements.....	6-2
6.4.2 Existing Bridges with Sub-Standard Traffic Railing Barriers	6-2
6.4.3 Traffic Railing Barriers for Historic Bridges	6-3
6.4.4 Requirements for Test Levels TL-5A, TL-5 and TL-6 [13.7.2].....	6-3
6.4.5 Exceptions.....	6-3
6.5 General Policy for Joint Devices.....	6-3
6.6 General Policy for Bridge Bearings	6-4
6.7 Movement Due to Temperature Variation [3.12.2].....	6-4
6.8 Expansion Joint Provisions [14.5.1].....	6-5
6.9 Design of Expansion Joints to Accommodate Movement [14.4] [14.5.3].....	6-6
6.10 Joints for Bridge Widening	6-6
6.10.1 Lengthening of Group 1 Joints.....	6-7
6.10.2 Widening of Bridges with Group 2 Joints	6-7
6.11 Design of Bearings	6-8
6.12 Maintainability Requirements – Bearings	6-8
6.13 Control of Shrinkage Cracking in Continuous Superstructures [5.10.8].....	6-9
6.14 Lateral Restraint of Superstructures.....	6-9
6.14.1 Elastomeric Bearings.....	6-9
6.14.2 Mechanically Restrained Bearings	6-10
6.15 Girder Transportation	6-10

CHAPTER 6 SUPERSTRUCTURE ELEMENTS AND APPURTENANCES

6.1 General

This Chapter contains information and criteria related to the design, reinforcing, detailing, and construction of superstructure elements and appurtenances for bridge structures and includes deviations from *LRFD* that are required for these same elements and appurtenances. The Chapter includes elements that are part of the superstructure such as deck slabs, beams, barriers, curbs, and pilasters as well as appurtenances that are essential accessories to the superstructure such as joints, bearings, and deck drains.

6.2 Curb and Median Heights on Bridges [13.11]

For bridge projects that utilize curbs, the curb height and batter shall match the curb height and batter on the roadway approaches. Bridges with sidewalks are normally encountered in an urban environment, and the curb will normally be 6 inches in height. When the roadway approaches the bridge with a raised median, the median on the bridge shall match that on the roadway.

6.3 Deck Drainage Systems [2.6.6]

6.3.1 Deck Drains

Simple deck drains that are encased in concrete, such as scuppers, shall be either PolyVinyl-Chloride (PVC) Schedule 80 UV-Resistant, Gray Cast Iron, or Ductile Cast Iron. Other deck drains that are encased in concrete, such as grates and inlets, shall be either Gray Cast Iron, Ductile Cast Iron, or Galvanized Steel; except that in Extremely Aggressive Environments, Gray Cast Iron or Ductile Cast Iron shall not be used. The maximum width of a grate slot is one and one-half (1 ½) inches.

6.3.2 Drain Conveyances

Polyethylene (PE), or Ductile Cast Iron. Drain conveyances not encased in concrete shall be Machine-Made or Filament-Wound "Fiberglass" (Glass-Fiber-Reinforced-Thermosetting-Resin), or Ductile Cast Iron; except that in Extremely

Aggressive Environments, Ductile Cast Iron shall not be used. The minimum inside pipe diameter is 4 inches, and bends shall not be greater than 45°.

6.4 Traffic Railing Barriers [13.7]

Unless otherwise approved, all new traffic railing barriers proposed for use in new construction, rehabilitation, reconstruction, and widening projects, as well as all traffic railing barrier systems proposed as a retrofit for existing traffic railing barriers, shall be proven effective through successful crash testing. Crash testing shall be performed in accordance with, and comply with, the ***National Cooperative Highway Research Program (NCHRP) Report No. 350*** and ***LRFD***. This requirement also applies to barrier and sound wall combinations.

The traffic railing barriers shown on the ***Standard Drawings*** have been determined to meet the applicable crash testing requirements.

Sound barrier walls shall not be attached to the top of railing barriers unless the system has been crash tested and meets TL-4 acceptability requirements of ***NCHRP Report No. 350***. Sound barrier walls may be attached to structures if located behind an approved traffic railing barrier and mounted at least five feet from the face of the barrier at deck level.

6.4.1 General Requirements

In addition to the preceding criteria, all traffic railing barriers shall:

- A. Be structurally evaluated to be equivalent to or greater in strength to other safety shape railings that have been crash tested to the TL-4 criteria of ***NCHRP Report No. 350***.
- B. Meet the strength and geometric requirements of ***LRFD*** Chapter 13 in accordance with the test levels and crash test criteria.
- C. Be upgraded on both sides of a structure when widening work is proposed for only one side and the traffic rail barrier on the non-widened side does not meet the criteria for new traffic rail barriers.
- D. Be constructed on decks reinforced in accordance with Chapter 7.

6.4.2 Existing Bridges with Sub-Standard Traffic Railing Barriers

When rehabilitation or renovation work is proposed on an existing structure with traffic railing barriers that do not meet the criteria for new railing barriers as provided above, the existing traffic railing barriers shall be replaced or retrofitted to meet the crash-worthy criteria unless an exception is approved. Unless otherwise approved by DSDE or SSDE, the traffic railing barriers and portions of

the bridge deck to which they are anchored shall meet the “General Requirements” of this article.

6.4.3 Traffic Railing Barriers for Historic Bridges

With respect to historic bridge sites and areas of great aesthetic concern, case-by-case evaluation to the crash-worthy criteria will be considered within the following limits:

- A. An exception request shall include written justification explaining the special historic or aesthetic concerns at the site, and why a crash-worthy traffic railing barrier is not compatible.
- B. Design speed and operating speed shall be no greater than 40 mph.
- C. The strength requirements stated in “General Requirements” above are met.

6.4.4 Requirements for Test Levels TL-5A, TL-5 and TL-6 [13.7.2]

Consideration should be given to providing a traffic railing barrier that meets the requirements of Test Levels TL-5A, TL-5 and TL-6 as included in ***NCHRP Report No. 350*** when any of the following conditions exist:

- A. The volume of truck traffic is unusually high.
- B. The proposed structure is located such that a vehicle penetrating the railing barrier would cause high risk to the public or surrounding facilities.
- C. Sharply curved ramp structures with moderate to heavy truck traffic.

6.4.5 Exceptions

Exceptions to the requirements of this Article shall be approved in accordance with Chapter 23 of the ***Plans Preparation Manual***, Volume I with concurrence of the DSDE or SSDE as appropriate.

6.5 General Policy for Joint Devices

Bridge deck joints are a continuous minor maintenance problem at best and at worst may be a source of structural deterioration resulting in a major bridge maintenance problem. For these reasons, it is the Department's policy to minimize the use of joints.

Expansion joints in bridge decks can be avoided by providing deck slab continuity at intermediate bents or piers. Generally, this is accomplished by designing continuous superstructures, or by allowing continuity of the deck slab, even when the supporting beams or girders are simply supported. In either case, the structures must be designed to accommodate the movements, or to resist the

stresses, due to factors such as: temperature, elastic shortening, creep, and shrinkage.

For bridge structures defined as “Long Bridges” by the criteria of Chapter 7, expansion joints shall be detailed for installation as an independent operation performed after deck planing requirements have been met.

Only joint types listed in Table 6.1 shall be used for new construction. The values in Table 6.1 are maximum design values for each joint type.

Table 6.1 Joint Width Limitations by Joint Type

Joint Type	Maximum Joint Width
Poured Rubber	3/4"
Silicone Seal	2"
Strip Seal	3"
Modular Joint	Unlimited
Finger Joint	Unlimited

6.6 General Policy for Bridge Bearings

Bridge bearings must accommodate the movements of the superstructure and transmit loads to the substructure supports. The type of bearings to be used depends upon the amount and type of movement as well as the magnitude of the load.

In general, simple-span, prestressed concrete beams, simple-span steel girders, and some continuous beams can be supported on composite neoprene bearing pads (elastomeric bearings). Larger longitudinal movements can be accommodated by using PTFE polytetrafluoroethylene [Teflon] bearing surfaces on external steel load plates

Some structures with large bearing loads and/or multi-directional movement might require other bearing devices such as pot, spherical, or disc bearings.

6.7 Movement Due to Temperature Variation [3.12.2]

For all bridges other than longitudinally post-tensioned segmental concrete bridges, movement due to temperature variation (range) shall be calculated from

an assumed mean temperature of 70 degrees Fahrenheit (°F) at the time of construction. The design of the joints and bearings shall be based on the expansion and contraction of the superstructure due to the appropriate temperature ranges of Table 6.2. and the requirements of Section 6.10.

Movements of longitudinally post-tensioned segmental concrete bridges due to temperature variation shall be calculated according to the requirements of Chapter 7.

Table 6.2 Temperature Range by Superstructure Type

Structural Material of Superstructure	Temperature (Degrees Fahrenheit)			
	Mean	High	Low	Range
Concrete Only	70	95	45	50
Concrete Deck on Steel Girder	70	110	30	80
Steel Only	70	120	30	90

The thermal coefficients of **LRFD [5.4.2.2]** and **[6.4.1]** for normal density concrete and structural steel, respectively, apply to the material of the main longitudinal supporting beams or girders.

6.8 Expansion Joint Provisions [14.5.1]

- A. When an expansion joint is required, the joint design shall satisfy the following criteria as applicable:
- 1.) If the joint device is proprietary, it shall be designed in accordance with **LRFD** and installed in strict accordance with the manufacturer's specifications unless directed otherwise by the Department.
 - 2.) The joint components shall accommodate the full range of structure movement without exceeding the manufacturer's limitations and/or design values, particularly at maximum joint opening.
 - 3.) The joint must provide a good riding surface, relatively free from vibration and noise.
 - 4.) Frame rails must be designed to resist all anticipated loads, including impact
 - 5.) The joint shall not transfer undue stresses to the structure.
 - 6.) Elastomers for joint seals shall provide a service life warranty for a minimum period of five years.
 - 7.) The joint shall be designed for minimum maintenance and ease of access and parts replacement.
 - 8.) The joint shall be reasonably leak-proof with a continuous sealing element for the entire joint length.
 - 9.) The joint material shall be resistant to corrosion and ultraviolet rays and shall not be a catalyst or vehicle for electrolytic action.

- B. In some instances, open joints may be acceptable; however such joints must have provision for diverting drainage without causing damage to the bridge bearings or other structural elements and must have the prior approval of the SDO.

6.9 Design of Expansion Joints to Accommodate Movement [14.4] [14.5.3]

Besides movement due to temperature variation, the design of expansion joints must consider the effects of creep, shrinkage, skew, rotation, lateral shear, and vertical shear.

Joints for conventional, reinforced and/or prestressed concrete superstructures shall be designed for the calculated movement due to temperature change plus creep and shrinkage, or for 115% of the calculated movement due to temperature change alone, however, the joint opening must not be less than 5/8 inch at 70 degrees Fahrenheit (°F).

Joints for longitudinally post-tensioned superstructures shall be designed for creep and shrinkage plus 120% of the calculated movement due to temperature change.

The width, "W", of the joint shall meet the requirements of **LRFD [14.5.3.2]**, except that "W" for the different joint types shall not exceed the appropriate value from Table 6.1. When setting the joint, either the design width, "W," shall be decreased by the amount of anticipated movement due to creep and shrinkage, or the joint shall be set to the minimum width for installing the joint, whichever results in the wider opening.

6.10 Joints for Bridge Widening

- A. The District Structures and Facilities Office shall be contacted to determine the type and condition of all existing joints to be widened. Existing joint types by group are:
- 1.) Group 1: Strip seal, compression seal, poured rubber, open joint, silicone seal, copper water-stop, and "Jeene."
 - 2.) Group 2: Sliding Plate, finger joint, and modular.
- B. Existing joints to be widened shall be carefully examined to determine in advance the extent of existing concrete deck to be removed. Removal of existing concrete shall be limited to that necessary to remove the existing joint armor and to permit proper anchorage of the new joint armor. Detail the existing joint removal, and/or note that extreme care shall be taken by the

Contractor, to assure that the existing deck reinforcing steel will not be damaged by the new joint installation.

6.10.1 Lengthening of Group 1 Joints

- A. If the existing joint consists of armored strip seal and the steel armor is in good condition, remove the existing seal, extend the armor into the widening by welding new sections to existing armor and provide new strip seal continuously across the entire deck.
- B. If an existing armored joint is in poor and irreparable condition, or if the existing joint system consists of armored or non-armored compression seal in good or bad condition, remove the existing seal and armor, repair the damaged concrete, and install a new Group 1 Joint other than a compression seal.
- C. If the existing joint consists of copper water-stop, poured rubber, or silicone, and is performing satisfactorily, remove all existing joint material, extend joint gap into the widening, and install a new silicone seal.
- D. If the existing joint is an open joint, is performing satisfactorily, and the joint gap is not wider than 1 inch at 70 degrees Fahrenheit (°F), extend the open joint into the widening. If it is not performing satisfactorily, extend the gap into the widening and seal the entire joint with silicone sealer.
- E. If the existing joint is an open joint that is wider than 1 inch at 70 degrees Fahrenheit (°F), provide a blackout on the entire bridge deck for the new joint system.
- F. If the existing joint is a Jeene Joint and is performing satisfactorily, extend the joint gap into the widening, remove the existing Jeene Joint and provide a new Jeene Joint. If it is not practicable to install a new Jeene Joint, provide a blackout for the new joint system.

Commentary:

*Concrete spalls adjacent to existing joints shall be repaired prior to joint lengthening. All seals shall be continuous and shall generally extend to the face of the barrier at the high side of deck surface and past the gutter line with a 4 inch upturn at low side the deck surface. An 'approved' seal is a seal that either is listed on the Department's QPL or is approved by the DSDE, District Maintenance Engineer, or SDO, as appropriate. Generally, field splices of strip seal expansion joints shall conform to the notes of Index No. 400 of the **Standard Drawings**.*

6.10.2 Widening of Bridges with Group 2 Joints

- A. If the existing joint is in good condition, or repairable, the joint shall be lengthened using the same type of joint after performing any needed repairs.

Lengthening shall be performed in conformance with the joint manufacturer's recommendations.

- B. If the existing joint material is proprietary and no longer available, it preferably shall be replaced with a Group 2 Joint that will accommodate the same calculated movement.

6.11 Design of Bearings

Composite neoprene bearing pads and other bearing devices shall be designed in accordance with **LRFD Method B**, the Department's **Standard Specifications for Road and Bridge Construction**, and this document.

Whenever possible, and after confirming their adequacy, standard designs should be used. Only when the neoprene capacities of the standard pads have been exceeded or when site conditions or constraints dictate provisions for special designs (such as multi-rotational capability) should other bearing systems or components be considered. If other bearing systems or components are considered, the choice of a type of bearing shall depend on a suitability analysis. The EOR shall follow the selection process of **LRFD** Table 14.6.2-1, Bearing Suitability, for an appropriate bearing type. The special design requirements of **LRFD** cover specific material properties, mating surfaces, and design requirements such as coefficient of friction, load resistance, compressive stress, compressive deflection, and shear deformation, as applicable to the various bearing systems.

Commentary:

If the resistance factor for a bearing is other than 1.0, the design calculations shall include the method for obtaining such a factor.

6.12 Maintainability Requirements – Bearings

The following provisions shall apply to all bridges except for flat slab superstructures (cast-in-place or precast) resting on thin bearing pads.

Superstructure design and details shall result in the use of bridge bearings that are reasonably accessible for inspection and maintenance. Provisions shall be made on all new designs for the replacement of bearings without causing undue damage to the structure and without having to remove anchorages or other devices permanently attached to the structure. The provisions for the removal of bearings, such as jacking locations, jacking sequence, jack load, etc., shall be made in the design and shown on the plans, and the substructure width shall be sized, or verified as satisfactory, to accommodate the jacks and any other required provisions.

When the project involves the widening of a structure that does not already include provisions for replacing bearings, the District Maintenance Engineer shall be consulted and will decide if provisions for the replacement of the bearings shall be made on the plans for the widening.

The replacement of bearings for conventional girder structures, particularly concrete beams, is relatively simple, as jacking can be accomplished between the end diaphragms and substructure. For these bridges, a note describing the jacking procedure for replacing bearings will usually suffice; however, the plans should clearly state that the jacking equipment is not part of the bridge contract.

Provisions for the replacement of bearings for certain non-conventional structures, such as steel or segmental concrete box girders, will require separate details and notes describing the procedures. Again, it should be noted that the jacking equipment is not part of the bridge contract.

6.13 Control of Shrinkage Cracking in Continuous Superstructures [5.10.8]

Continuous beam or girder superstructures require the use of a designated casting sequence to minimize shrinkage cracking. Generally, the sequence should result in construction joints spaced at not more than 80 feet. Camber diagrams shall be developed taking into consideration the casting sequence and the impact on the changing cross section characteristics of the superstructure. The plans shall contain a note that states that the casting sequence may not be changed unless a new structural analysis is performed by the Contractor's Specialty Engineer, and new camber diagrams are calculated.

6.14 Lateral Restraint of Superstructures

The EOR shall always determine when lateral restraint of the superstructure of a bridge is required and make necessary provisions to assure that the bridge will function as intended. These provisions shall include considerations for the effects of geometry, creep, shrinkage, temperature, and/or seismic on the structure. When lateral restraint of the superstructure is required, then the appropriate method of restraint described hereinafter shall be employed.

6.14.1 Elastomeric Bearings

When the required restraint exceeds the capacity of the bearing pad, the following appropriate restraint shall be provided:

- A. For concrete girder superstructures, provide concrete blocks cast on the substructure and positioned to not interfere with bearing pad replacement.
- B. For steel girder superstructures, provide extended sole plates and anchor bolts.

6.14.2 Mechanically Restrained Bearings

For bearings that provide restraint through guide bars or pintles, such as is the situation with pot bearings, the bearing itself shall be designed to provide the required lateral restraint.

6.15 Girder Transportation

The EOR shall coordinate the transportation of heavy and/or long girders with the Department's Permit Office during the design phase of the project.

CHAPTER 7

CONCRETE STRUCTURES

7.1 General	7-1
7.2 Concrete Deck Slabs [5.13.1] [9.7].....	7-1
7.2.1 Bridge Length Definitions for Deck Thickness and Finishing Reqs.....	7-1
7.2.2 Deck Thickness Determination	7-1
7.2.3 Grooving Bridge Decks.....	7-2
7.2.4 Empirical Deck Slab Design [9.7.2][9.7.3].....	7-2
7.2.5 TL-4 Barrier Design Requirements	7-3
7.3 Reinforcing Steel [5.4.3]	7-3
7.3.1 Reinforcing Steel over Intermediate Piers or Bents	7-3
7.3.2 Structures Continuous for Live Load	7-3
7.3.3 Requirements for Concrete Decks on Continuous Steel Girders.....	7-3
7.3.4 Transverse Slab Reinforcement [9.7.1.3]	7-4
7.4 Prestressed, Pretensioned Components.....	7-4
7.4.1 General Design Requirements for Prestressed Construction	7-4
7.4.2 Requirements For Prestressed Piling [5.13.4.3]	7-5
7.4.3 Requirements for Prestressed Beams	7-5
7.5 Precast Prestressed Slab Units [5.14.4.3].....	7-7
7.6 Florida Bulb-Tee Beams [5.14.1.2.2].....	7-8
7.7 Precast Prestressed Double-Tee Beams	7-8
7.8 Stay-in-Place (SIP) Slab Forms.....	7-8
7.9 Prestressed Beam Camber/Build-Up Over Beams.....	7-8
7.10 Post-Tensioning Strand.....	7-8
7.11 Dimension and Location Requirements for Post-Tensioning Ducts [5.4.6] [5.10.3.3]	7-9
7.12 Prestressed Beam Standards and Semi-Standards.....	7-9
7.13 Pretensioned/Post-Tensioned Beams [5.14.2].....	7-9
7.14 Adhesive Anchor Systems	7-10
7.14.1 General.....	7-10
7.14.2 Notation	7-11
7.14.3 Design Requirements for Tensile Loading.....	7-12

7.14.4 Design Requirements for Shear Loading.....	7-13
7.14.5 Interaction of Tensile and Shear Loadings	7-13
7.14.6 Example 1 - Single Adhesive Anchor Away from Edges and Other Anchors.....	7-14
7.14.7 Example 2 - Single Adhesive Anchor Away from Other Anchors but Near Edge.....	7-16
7.14.8 Example 3 - Two Adhesive Anchors Spaced at 8 inches, 4 inches from Edge.....	7-18
7.15 Design Criteria For Segmental Box Girder Bridges [5.14.2].....	7-20
7.15.1 Design Loading [5.14.2.3].....	7-20
7.15.2 Thermal Effects [5.14.2.3.5].....	7-20
7.15.3 Creep and Shrinkage [5.14.2.3.6].....	7-20
7.15.4 Prestress	7-20
7.15.5 Material.....	7-21
7.15.6 Expansion Joints	7-21
7.15.7 Erection Schedule and Construction System.....	7-22
7.15.8 Construction Data Elevation and Camber Curve.....	7-22
7.15.9 Final Computer Run.....	7-23
7.15.10 Integrated Drawings.....	7-23
7.15.11 Special Requirements for Post-tensioning Anchorages.....	7-23
7.15.12 Epoxy Joining of Segments	7-24
7.16 Couplers in Post-Tensioning Tendons [5.4.5].....	7-24
7.17 Design of Continuous Prestressed Concrete I-Girder Superstructures [5.4.2.3].....	7-24

CHAPTER 7

CONCRETE STRUCTURES

7.1 General

This Chapter contains information related to the design, reinforcing, detailing, and construction of concrete components. It also contains deviations from *LRFD* that are required in such areas as deck slab reinforcing and construction, post-tensioning design and detailing, and the design and use of adhesive anchors.

The EOR's attention is drawn to the requirements of this Chapter regarding the design of prestressed, pretensioned concrete components. In particular concerning strand transfer and development and shear design.

7.2 Concrete Deck Slabs [5.13.1] [9.7]

7.2.1 Bridge Length Definitions for Deck Thickness and Finishing Requirements

For the purpose of establishing profilograph and deck thickness requirements, bridge structures shall be defined either as Short Bridges or Long Bridges. The determining length shall be the length of the bridge structure measured along the Profile Grade Line (PGL) of the structure and shall include the lengths of exposed concrete riding surface of the approach slabs. Based upon this established length, the following definitions shall apply:

- A. Short Bridges: Bridge structures less than or equal to 300 feet in PGL length.
- B. Long Bridges: Bridge structures more than 300 feet in PGL length.

7.2.2 Deck Thickness Determination

Except for Inverted-T Beam bridge superstructures, the thickness of bridge decks that are cast-in-place (CIP) on beams or girders of bridges meeting the definition of Long Bridges shall be 8-½ inches minimum for all new construction. The 8-½ inch deck thickness includes a ½ inch additional, sacrificial thickness to be included in the dead load of the deck slab but which is omitted from its section properties. Except for Inverted-T Beam bridge superstructures, the thickness of CIP bridge decks on beams or girders of bridges that meet the definition of Short Bridges shall be 8 inches minimum for all new construction.

The cast-in-place bridge deck thickness for Inverted-T Beam bridge superstructures with Inverted-T Beams spaced on 2'-0" centers shall be 6 ½ inches and 6 inches for bridges meeting the definition of Long and Short Bridges, respectively.

The thickness of CIP bridge decks on beams or girders for widenings defined as Major Widenings in accordance with Chapter 9 shall be 8 inches. However, whenever a Major Widening is selected by the Department to meet profilograph

requirements, a minimum deck thickness of 8 ½ inches to meet the requirements and design methodology for new construction of the preceding paragraph, shall be used.

The thickness of CIP bridge decks on beams or girders for widenings defined as Minor Widenings in accordance with Chapter 9 shall be handled on an individual basis but generally shall match the thickness of the adjoining existing deck.

The thickness of all other CIP or precast concrete bridge decks shall be based upon the reinforcing cover requirements of Chapter 2, Table 2.2.

The determining concrete deck thickness from the preceding requirements shall be utilized in establishing bearing elevations by deducting the determined thickness, before milling, from the Finish Grade Elevations required by the Contract Drawings.

7.2.3 Grooving Bridge Decks

All bridge plans for new construction that utilize C-I-P bridge deck (floors) that will not be surfaced with asphaltic concrete shall include the following item in the Summary of Pay Items:

Item No. 400-7 - Bridge Floor GroovingSq. Yards

Quantity Determination: The quantity of bridge floor grooving shall be determined in accordance with the provisions of Article 400-22.4 of the "Specifications."

7.2.4 Empirical Deck Slab Design [9.7.2][9.7.3]

Deck slabs for Category 1 Structures that meet the criteria set forth in **LRFD [9.7.2.4]** shall be designed by the Empirical Design method of **LRFD [9.7.2]**.

Deck slabs for all Category 2 Structures and for Category 1 Structures that do not meet the requirements of **LRFD [9.7.2.4]** shall be designed in accordance with the Traditional Design method of **LRFD [9.7.3]**.

In lieu of the reinforcing requirements of **LRFD [9.7.2.5]**, No. 5 bars at 12" centers shall be used in both directions in both the top and bottom layers. Two additional No. 5 bars shall be placed between the primary transverse top slab bars (4" nominal spacing) in the slab overhangs to meet the TL-4 loading requirements for the F-shaped standard barrier. One of the additional bars shall be extended to the mid-point between the exterior beam and the first interior beam; the second additional bars shall be extended 3 feet beyond this mid-point.

For slabs designed by the Traditional Method and 8" in depth, a minimum top slab transverse reinforcing area of 0.9 in² per foot of slab shall be provided to meet the TL-4 loading requirements of the F-shape standard barrier.

7.2.5 TL-4 Barrier Design Requirements

When design deck slabs, other than the standard 8" slab noted above, for the TL-4 barrier loading, the following forces shall be applied to the slab at the gutter line:

Axial Tension	7.04 kips/ft
Bending Moment	18.9 ft-kips/ft

These forces are based on a distribution length of 7.67 feet (5.0 feet plus 2.67 feet of barrier height). For locations inside the gutter line, these forces may be distributed over a longer length equal to $7.67 + 2D(\tan 30^\circ)$ feet. Where "D" equals the distance from the gutter line to the critical slab section. At open transverse deck joints, only one-half of the increased distribution length $D(\tan 30^\circ)$ shall be used.

7.3 Reinforcing Steel [5.4.3]

Steel reinforcing for concrete design shall be ASTM A615, Grade 60.

7.3.1 Reinforcing Steel over Intermediate Piers or Bents

When CIP slabs are made composite with simple span concrete beams, and such slabs are cast continuous over intermediate piers or bents, supplemental longitudinal reinforcing shall be provided in the tops of slabs. Such reinforcing shall be sized, spaced, and placed in accordance with the following criteria:

- A. No. 5 Bars placed between the continuous, longitudinal reinforcing bars.
- B. A minimum of 35 feet in length.
- C. Placed symmetrically about the centerline of the pier or bent, with alternating bars staggered 5' feet.

7.3.2 Structures Continuous for Live Load

In structures designed continuous for live load, supplemental longitudinal reinforcing shall extend beyond the point where the slab is in tension under any load combination.

7.3.3 Requirements for Concrete Decks on Continuous Steel Girders

Longitudinal reinforcing steel within the negative moment regions of continuous, composite steel girder superstructures shall comply with the requirements of **LRFD [6.10.3.7]**.

In addition, the remainder of the deck shall have longitudinal steel of not less than No. 5 Bars at 12 inch spacing in the top of the slab and No. 4 Bars at 12 inch spacing in the bottom of the slab.

7.3.4 Transverse Slab Reinforcement [9.7.1.3]

- A. Reinforcing Placement when the Slab Skew is 15 Degrees or less:
Place the transverse reinforcement parallel to the skew for the entire length of the slab.
- B. Reinforcing Placement when the Slab Skew is more Than 15 Degrees:
Place the required transverse reinforcement perpendicular to the centerline of span. In this case, because the typical required transverse reinforcement cannot be placed full-width in the triangular shaped portions of the ends of the slab, the required amount of reinforcing shall be doubled for a longitudinal along the span equal to the beam spacing. In addition, three No. 5 Bars at 6" spacing, full-width, shall be placed parallel to the end skew in the top of each end of the slab.
- Note: Regardless of the angle of skew, the barrier reinforcement cast into the slab need not be skewed.

7.4 Prestressed, Pretensioned Components

7.4.1 General Design Requirements for Prestressed Construction

Prestressed, pretensioned concrete design, details, and construction, commonly referred to as "prestressed," shall conform with **LRFD** Section [5] and the requirements of this article.

The strand transfer requirements of **LRFD** [5.8.2.3] apply; however, in **LRFD** [5.11.4], delete the equation for bonded strand development and substitute in lieu thereof the following Equation 7-1:

$$l_d \geq 1.6 (f_{ps} - 2/3 f_{pe}) d_b \quad \text{[Eq. 7-1]}$$

Where: All terms have the definitions of **LRFD** [5.11.4.2].
Additionally, delete the fourth line of the first paragraph of **LRFD** [5.11.4.3] and add the following:
"specified in Equation 7-1 shall be multiplied by the factor of 1.25."

Commentary:

*The 1.6 multiplier on **LRFD** Equation 5.11.4.1-1 that is shown in Eq. 7-1 above is required by the Federal Highway Administration (FHWA) to be incorporated into the strand development calculation for all prestressed, pretensioned concrete applications. The 1.6 multiplier does **not** apply to strand transfer calculations, however. The multiplier is based upon the results of prestressed concrete shear and bond research conducted in the United States, particularly that conducted by North Carolina State University (Ref: **Bond of Epoxy Coated Prestressing Strand**, Final Report to NCDOT, Research Project No. 23241-85-3, Center for Transportation Engineering Structures, North Carolina State University, Raleigh, NC, December, 1986, 191 pages, by T. E. Cousins, D. W. Johnston, and Paul Zia).*

7.4.2 Requirements For Prestressed Piling [5.13.4.3]

For prestressed piling not subjected to significant flexure under service or impact loading, strand development shall be in accordance with **LRFD [5.11.4]** and **[5.8.2.3]**. Bending that produces cracking in the pile, such as that resulting from ship impact loading, is considered significant. A pile embedment of 4 feet into a footing is considered adequate to develop the strength of the pile.

For the standard square FDOT prestressed concrete piles (12 through 30 inch), a pile embedment of 4 feet into a reinforced concrete footing is considered adequate to develop the bending strength of the pile. The pile must be solid, or the pile void filled with structural concrete, within the 4-foot embedment length. A 1 foot embedment shall be considered a pinned head condition.

For the pinned pile head condition the strand development shall be in accordance with LRFD (5.11.4) and (5.8.2.3).

The bending capacity versus pile cap embedment length relationship for prestressed piles with widths or diameters larger than 30 inches shall be established on a case-by-case basis.

Commentary:

The FDOT Structures Research Center conducted full scale testing of two 30 inch square concrete piles reinforced with prestressing steel and an embedded steel pipe. The piles, which were embedded 4 feet into a reinforced pile cap, developed the calculated theoretical bending strength of the section without strand slip. See FDOT Report No 98-9 "Testing of Pile to Pile Cap Moment Connection for 30" Prestressed Concrete Pipe-Pile". It was concluded that the confinement effects of the pile cap serve to improve the bond characteristics of the strand.

7.4.3 Requirements for Prestressed Beams

The use of ASTM A416, Grade 270, low-relaxation, straight, prestressing strands is preferred for the design of prestressed beams. However, the requirements stipulated hereinafter apply to simply supported, fully pretensioned beams, whether of straight or depressed (draped) strand profile, except where specifically noted otherwise.

A. Bridges that contain varying span lengths, skew angles, beam spacing, beam loads, or other design criteria may result in very similar individual designs.

The designer should consider the individual beams designs as a first trial subject to modifications by combining similar designs into groups of common materials and stranding based upon the following priorities:

- 1.) 28-Day Compressive Concrete Strength (f'_c)

- 2.) Stranding (size, number, and location)
- 3.) Compressive Concrete Strength at Release (f'_{ci})
- 4.) Shielding (Debonding)*

*Note: Full length shielding of strands in some beams to facilitate casting bed utilization of beams with slightly different strand patterns is prohibited.

Commentary:

Grouping beam designs in accordance with the priority list maximizes casting bed usage and minimizes variations in materials and stranding.

B. In analyzing stresses and/or determining the required length of debonding, stresses shall be limited to the following values:

- 1.) Tension at top of beam at release (straight strand only):

$$\text{Outer 15 percent of design span} = f_t = 12\sqrt{f'_{ci}} \text{ (psi)}$$

$$\text{Center 70 percent of design span} = f_t = 6\sqrt{f'_{ci}} \text{ (psi)}$$

- 2.) Tension at top of beam at release

$$\text{(depressed strands only)} = f_t = 6\sqrt{f'_{ci}} \text{ (psi)}$$

C. In order to achieve uniformity and consistency in designing strand patterns, the following parameters shall apply:

- 1.) Strand patterns utilizing an odd number of strands per row (a strand located on the centerline of beam) and a minimum side cover (centerline of strand to face of concrete) of 3 inches are required for all AASHTO and Florida Bulb-Tee beam sections except AASHTO Type V and VI beams for which a strand pattern with an even number of strands per row shall be utilized.
- 2.) Use of "L-shaped" longitudinal bars in the webs and flanges in end zone areas.
- 3.) The minimum compressive concrete strength at release shall be 4.0 ksi or $0.6 f'_c$, whichever is the greater. Higher release strengths may be used and specified when required by the designer but generally should not exceed $0.8 f'_c$.
- 4.) Prestressed beams shall be designed and specified to conform to classes and related strengths of concrete as shown in Table 7.1.

Table 7.1 Concrete Classes and Strengths

Class of Concrete	28-Day Compressive Strength (f'_c) KSI
Class III*	5.0
Class IV	5.5
Class V (special)	6.0
Class V	6.5
Class VI	8.5

*Class III concrete may be used only when the superstructure environment is classified as Slightly Aggressive in accordance with the criteria in Chapter 2.

- 5.) The use of time-dependent, inelastic creep and shrinkage is not allowed in the design of simple span, pretensioned components either during design or construction. Prestress loss must be calculated in accordance with **LRFD [5.9.5]**.

Commentary:

The FDOT cannot practically control, nor require the Contractor to control, the construction sequence and materials for simple span precast, prestressed beams. To benefit from the use of refined time-dependent analysis, literally every prestressed beam design would have to be re-analyzed using the proper construction times, temperature, humidity, material properties, etc. of both the beam and the yet-to-be-cast composite slab.

- 6.) Stress and camber calculations for the design of simple span, pretensioned components shall be based upon the use of transformed section properties.
- 7.) When wide-top beams such as bulb-tees and AASHTO Types V and VI beams are used in conjunction with stay-in-place metal forms, the designer shall evaluate the edges of flanges of those beams to safely and adequately support the self-weight of the forms, concrete, and construction load specified in Section 400 of the FDOT **Standard Specifications for Road and Bridge Construction**.
- 8.) The design thickness of the composite slab shall be provided from the top of the stay-in-place metal form to the finished slab surface, and the superstructure concrete quantity shall not include the concrete required to fill the form flutes.

7.5 Precast Prestressed Slab Units [5.14.4.3]

To control the maximum camber expected in the field for precast prestressed slab units built without a topping, the design camber shall not exceed $\frac{1}{4}$ inch. For precast prestressed slab units built with a topping, the design camber shall not exceed 1 inch. Unless otherwise specified on the plans, the design camber shall be computed for slab concrete with an age of 120 days. The design

camber shown on the plans shall be the value of camber due to prestressing minus the dead load deflection of the slab unit after all prestress losses.

7.6 Florida Bulb-Tee Beams [5.14.1.2.2]

The minimum web thicknesses for Florida Bulb-Tee beams are:

- A. Pretensioned Beams..... 6 ½ inches
- B. Post-Tensioned Beams..... 8 inches

7.7 Precast Prestressed Double-Tee Beams

All bridge structures utilizing precast, prestressed double-tee beams shall conform with the design criteria and details provided in the **Standard Drawings**.

7.8 Stay-in-Place (SIP) Slab Forms

Bridge plans shall be designed and detailed for stay-in-place metal forms for prestressed beam and steel girder superstructures except where restricted for use by Chapter 2. A note shall be included in the General Notes on the plans stating whether or not stay-in-place forms are permitted on the bridge.

7.9 Prestressed Beam Camber/Build-Up Over Beams

Unless otherwise required as a design parameter, beam camber for computing the build-up shown on the plans shall be based on an age of beam concrete of 120 days. In all cases, the age of beam concrete used for camber calculations shall be shown on the build-up detail as well as the value of camber due to prestressing minus the dead load deflection of the beam.

Commentary:

In the past, the FDOT has experienced significant slab construction problems associated with excessive prestressed, pretensioned beam camber. The use of straight strand beam designs, higher strength materials permitting longer spans, stage construction, long storage periods, improperly placed dunnage, and construction delays are some of the factors that have contributed to camber growth. Actual camber at the time of casting the slab equal to 2 to 3 times the initial camber at release is not uncommon.

7.10 Post-Tensioning Strand

Unless otherwise permitted by FDOT, post-tensioning strand, either for longitudinal or transverse prestressing applications, shall be ASTM A416, low-relaxation strand.

7.11 Dimension and Location Requirements for Post-Tensioning Ducts [5.4.6] [5.10.3.3]

Show offset dimensions to post-tensioning duct trajectories from fixed surfaces or clearly defined reference lines at intervals not exceeding 5 feet. When the radius of curvature of a duct exceeds one-half ($\frac{1}{2}$) degree per foot, offsets shall be shown at intervals not exceeding 30 inches. In regions of tight reverse curvature of short sections of tendons, offsets shall be shown at sufficiently frequent intervals to clearly define the reverse curve.

Curved ducts that run parallel to each other or around a void or re-entrant corner shall be sufficiently encased in concrete and reinforced as necessary to avoid radial failure (pull-out into the other duct or void). In the case of approximately parallel ducts, the EOR shall consider the arrangement, installation, stressing sequence, and grouting in order to avoid potential problems with cross-grouting of ducts.

Ducts for post-tensioned bulb-tee beams shall be round, galvanized metal ducts only.

7.12 Prestressed Beam Standards and Semi-Standards

Prestressed beam standards and semi-standards for use in simple span applications are included in the *Standard Drawings* and are available on the Internet.

7.13 Pretensioned/Post-Tensioned Beams [5.14.2]

In designing pretensioned beams made continuous by field-applied post-tensioning, the pretensioning shall be designed such that the following minimum criteria are satisfied:

- A. The pretensioning acting alone shall comply with the minimum steel requirements of *LRFD* [5.7.3.3.2].
- B. The pretensioning shall be capable of resisting all loads applied prior to post-tensioning, including a superimposed dead load equal to 50% of the uniform weight of the beam, without exceeding the stress limitation for pretensioned concrete construction.
- C. The pretensioning shall be of such a level that the initial mid span camber at release, including the effect of the dead load of the beam, is at least $\frac{1}{2}$ inch. In computing the initial camber, the value of the modulus of elasticity of the concrete, E_c , shall be in accordance with Table 7.2 for the minimum required strength of concrete at release of the pretensioning force. And, the pretensioning force in the strands shall be reduced by losses due to elastic shortening and steel relaxation.

D. Anchorage zones of post-tensioning tendons as well as beam segments in which ducts deviate both horizontally and vertically require integrated drawings showing all post-tensioning hardware and reinforcing steel.

7.14 Adhesive Anchor Systems

7.14.1 General

Adhesive Anchor Systems are used to attach new construction to existing concrete structures. Adhesive Anchor Systems incorporate an adhesive bonding material and steel bar anchors installed in clean, dry holes drilled in hardened concrete. Anchors may be either reinforcing bars or threaded rods depending upon the application. Adhesive Anchor Systems shall not be used to splice with existing reinforcing bars in either non-prestressed or prestressed concrete applications unless special testing is performed and special, proven construction techniques are utilized.

Adhesive Anchor Systems pre-approved for use by the Department and not requiring any submittal data are listed in the Qualified Products List (QPL) as "Adhesive Bonding Material Systems for Structural Applications" and comply with Section 937 of the Specifications. Additionally, Adhesive Anchors shall be installed in accordance with manufacturer's recommendations for hole diameter and hole cleaning technique and must meet the requirements of Section 416 of the Specifications.

Commentary:

Installation of Adhesive Anchor Systems in saturated, surface-dry holes; i.e., holes with damp surfaces but with no standing water, is not pre-approved or recommended by the Department. However, in the event such a condition is encountered during construction, the Department may consider approving continued installation, but only on an adjusted, case-by-case basis. The damp hole strength of products on the QPL has been determined to be approximately 75% of the required dry hole strength.

Unless special circumstances dictate otherwise, Adhesive Anchor Systems shall be designed for a ductile failure. A ductile failure requires embedment sufficient to ensure that failure will occur by yielding of the steel. In order to produce ductile failure, the following embedments may be assumed:

A. For Anchors in Tension:

That length of embedment which will develop 125 percent (125%) of the specified yield strength of 100 percent (100%) of the specified tensile strength, whichever is less.

B. For Anchors in Shear:

An embedment equal to seventy percent (70%) of the embedment length determined for anchors in tension.

In circumstances where ductile failure is not required, the design may be based upon the design strength of either the steel anchor or the adhesive bond, whichever is less.

Adhesive Anchor Systems meeting the specifications and design constraints of this article are permitted for horizontal, vertical, or downwardly inclined installations, only. **Overhead or upwardly inclined installations of Adhesive Anchors are prohibited.** Preapproved adhesive bonding material listed on the QPL shall be used to splice prestressed piling.

7.14.2 Notation

The following notation is used in this Article:

A_e = effective tensile stress area of steel anchor (may be taken as 75% of the gross area for threaded anchors). [in²]

A_{n0} = $4.0(h_e)^2$, effective area of a single Adhesive Anchor in tension, used in calculating Ψ_{gn} (See Figure 7-1). [in²]

A_n = effective area of a group of Adhesive Anchors in tension, used in calculating Ψ_{gn} , defined as the rectangular area bounded by a perimeter spaced $1.0h_e$ from the center of the anchors and limited by free edges of concrete (See Figure 7-1). [in²]

A_{v0} = $4.5(c^2)$, effective breakout area of a single Adhesive Anchor in shear, used in calculating Ψ_{gv} (See Figure 7-2). [in²]

A_v = effective area of a group of Adhesive Anchors in shear and/or Adhesive Anchors loaded in shear where the member thickness, h , is less than $1.5c$, used in calculating Ψ_{gv} , (See Figure 7-2). [in²]

c = anchor edge distance (distance from free edge to centerline of the anchor). [in]

d = nominal diameter of Adhesive Anchor. [in]

f'_c = minimum specified concrete strength. [ksi]

f_y = minimum specified yield strength of Adhesive Anchor steel. [ksi]

f_u = minimum specified ultimate strength of Adhesive Anchor steel. [ksi]

h = concrete member thickness. [in]

h_e = embedment depth of anchor. [in]

N_c = tensile design strength as controlled by bond for Adhesive Anchors. [kips]

N_n = nominal tensile strength of Adhesive Anchor. [kips]

N_o = nominal tensile strength as controlled by concrete embedment for a single Adhesive Anchor. [kips]

N_s = design strength as controlled by Adhesive Anchor steel. [kips]

N_u = factored tension load. [kips]

s = Adhesive Anchor spacing (measured from centerlines of anchors). [in]

V_c = shear design strength as controlled by the concrete embedment for Adhesive Anchors. [kips]

V_s = design shear strength as controlled by Adhesive Anchor steel. [kips]

V_u = factored shear load. [kips]

T' = 1.08 ksi nominal bond strength for products on the QPL.

$\phi_c = 0.85$, capacity reduction factor for adhesive anchor controlled by the concrete embedment.

$\phi_s = 0.90$, capacity reduction factor for adhesive anchor controlled by anchor steel.

$\psi_e =$ modification factor, for strength in tension, to account for anchor edge distance less than $10d$ (1.0 when $c \geq 10d$).

$\psi_{gn} =$ strength reduction factor for Adhesive Anchor groups in tension (1.0 when $s \geq 2.0h_e$).

$\psi_{gv} =$ strength reduction factor for Adhesive Anchor groups in shear and single Adhesive Anchors in shear influenced by member thickness (1.0 when $s \geq 3.0c$ and $h \geq 1.5c$).

7.14.3 Design Requirements for Tensile Loading

The design tensile strength for Adhesive Anchor steel is determined by Equation 7-2:

$$N_s = \phi_s A_e f_y \quad \text{[Eq. 7-2]}$$

The design tensile strength for Adhesive Anchor bond is determined by Equation 7-3:

$$N_o = \phi_c \psi_e \psi_{gn} N_o \quad \text{[Eq. 7-3]}$$

where:

$$N_o = T' \pi d h_e \quad \text{[Eq. 7-4]}$$

For anchors with a distance to a free edge of concrete less than $10d$, but greater than or equal to $3d$, a reduction factor, ψ_e , as given by Equation 7-5 shall be used. For anchors located less than $3d$ from a free edge of concrete, an appropriate strength reduction factor shall be determined by special testing. For anchors with an edge distance greater than $10d$, ψ_e may be taken as 1.0.

$$\psi_e = 0.60 + 40(C/10d) \quad \text{[Eq. 7-5]}$$

For anchors loaded in tension and spaced closer than $2.0h_e$, a reduction factor, ψ_{gn} , given by Equation 7-6 shall be used. For anchor spacing greater than $2.0h_e$, ψ_{gn} shall be taken as 1.0.

$$\psi_{gn} = (A_n \div A_{no})(c/10d) \quad \text{[Eq. 7-6]}$$

7.14.4 Design Requirements for Shear Loading

Adhesive Anchors loaded in shear shall be embedded a distance of not less than $6d$.

For Adhesive Anchors loaded in shear, the design shear strength controlled by anchor steel is determined by Equation 7-7:

$$V_s = \phi_s 0.7 A_s f_y \quad \text{[Eq. 7-7]}$$

For Adhesive Anchors loaded in shear, the design shear strength controlled by concrete breakout for shear directed toward a free edge of concrete is determined by Equation 7-8:

$$V_c = \phi_c \Psi_{gv} 0.0178 c^{1.5} \sqrt{f'_c} \quad \text{[Eq. 7-8]}$$

For anchors spaced closer than $3.0c$, a reduction factor, Ψ_{gv} , given by Equation 7-9 shall be used. For anchor spacing greater than $3.0c$, Ψ_{gv} shall be taken as 1.0.

$$\Psi_{gv} = A_v \div A_{v0} \quad \text{[Eq. 7-9]}$$

7.14.5 Interaction of Tensile and Shear Loadings

The following linear interaction between tension and shear loadings given by Equation 7-10 shall be used unless special testing is performed:

$$(N_u \div \phi N_n) + (V_n \div \phi V_n) \leq 1.0 \quad \text{[Eq. 7-10]}$$

In Equation 7-10, ϕN_n is the smaller of the design tensile strength controlled by the Adhesive Anchor steel (Equation 7-2) or the design tensile strength as controlled by Adhesive Anchor bond (Equation 7-3). ϕV_n is the smaller of the design shear strength controlled by the Adhesive Anchor steel (Equation 7-7) or the design shear strength as controlled by concrete breakout (Equation 7-8).

Commentary:

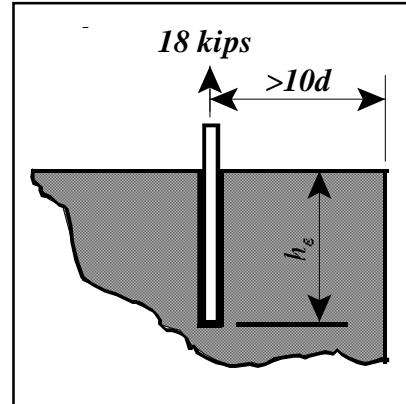
If Adhesive Anchor Systems are required to act as dowels from existing concrete components such that the existing reinforcing steel remains fully effective over its length, then the Adhesive Anchor System must be installed to a depth equal to the development length of the existing reinforcing steel. In this case, the required reinforcing steel spacing, covers, etc. apply to both the existing reinforcing steel and the Adhesive Anchor System. There is, however, no additional benefit to the Adhesive Anchor System to install anchors to a greater depth than required by this Article.

7.14.6 Example 1 - Single Adhesive Anchor Away from Edges and Other Anchors

Design an adhesive anchor using threaded rod (ASTM A193, Grade B7) for a factored tension load of 18 kips. The anchor is located over 10 anchor diameters from edges and is isolated from other anchors. The anchor embedment length is to be sufficient to ensure steel failure.

Given:

$$\begin{aligned} N_u &= 18.0 \text{ kips} \\ f_y &= 100.0 \text{ ksi} \\ f_u &= 125.0 \text{ ksi} \\ T' &= 1.08 \text{ ksi} \end{aligned}$$



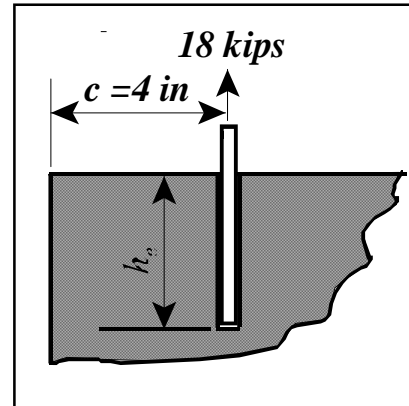
Design Procedure	Calculation
Step 1 - Determine required rod diameter	
Determine the required diameter of the threaded rod by setting the factored tension load equal to the design steel strength.	$N_u = N_s$
The effective area for the threaded rod may be taken as 75% of the gross area. As with reinforcing bars, the minimum specified yield strength of the rod is used to determine the required diameter.	$N_s = \phi_s A_e f_y$ where: $\phi_s = 0.9$ $A_e = 0.75 (\pi d^2/4)$ $f_y = 100 \text{ ksi}$
Substituting and solving for d :	$18 = (0.9)[0.75 (\pi d^2/4)](100)$ $d = 0.583''$ therefore, use 5/8" threaded rod
Step 2 - Determine required embedment length to ensure steel failure	
Basic equation for embedment length calculation. Since there are no edge or spacing concerns, ψ_e and ψ_{gn} may be taken as unity.	$N_c = \phi_c \psi_e \psi_{gn} N_o$ (for embedment) where: $\phi_c = 0.85$ $\psi_e, \psi_{gn} = 1.0$ (no edge/spacing concern) $N_o = T' \pi d h_e$
For ductile behavior it is necessary to embed the anchor sufficiently to develop 125% of the yield strength or 100% of the ultimate strength, whichever is less.	$N_{c(\text{req'd})} = 1.25 A_e f_y \leq A_e f_u$
Determine the effective area for a 5/8" threaded rod:	$A_e = 0.75 (\pi 0.625^2/4)$ $A_e = 0.23 \text{ in}^2$
Determine the required tension force, $N_{c(\text{req'd})}$, to ensure ductile behavior.	$N_{c(\text{req'd})} = 1.25 A_e f_y \leq A_e f_u$ $N_{c(\text{req'd})} = 1.25 (.23)(100) \leq (.23)(125)$ $N_{c(\text{req'd})} = 28.75 \text{ kips} = 28.75 \text{ kips}$ therefore, use $N_{b(\text{req'd})} = 28.75 \text{ kips}$
Substituting and solving for h_e :	$28.75 = 0.85 (1.0) (1.0) (1.08) \pi (.625) h_e$ $h_e = 16 \text{ in}$

7.14.7 Example 2 - Single Adhesive Anchor Away from Other Anchors but Near Edge

Design an adhesive anchor using threaded rod (ASTM A193, Grade B7) for a factored tension load of 18 kips. The anchor is located 4 inches from an edge but is isolated from other anchors. The anchor embedment length is to be sufficient to ensure steel failure.

Given:

$$\begin{aligned} N_u &= 18.0 \text{ kips} \\ f_y &= 100.0 \text{ ksi} \\ f_u &= 125.0 \text{ ksi} \\ T' &= 1.08 \text{ ksi} \end{aligned}$$



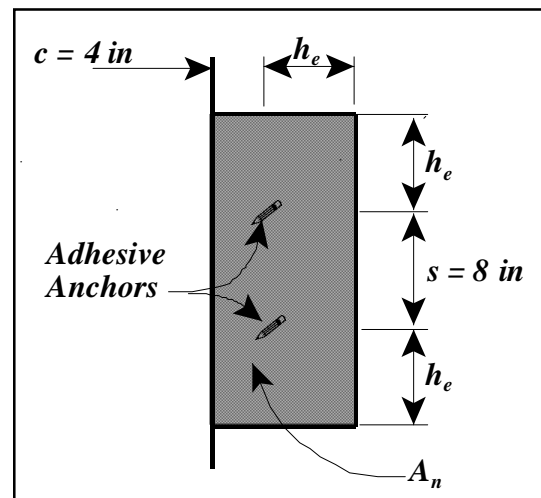
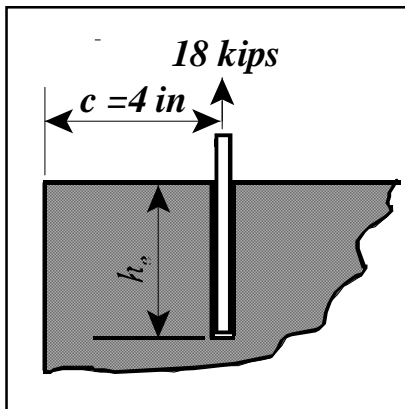
Design Procedure	Calculation
Step 1 - Determine required rod diameter	
Determine the required diameter of the threaded rod by setting the factored tension load equal to the design steel strength.	$N_u = N_s$
The effective area for the threaded rod may be taken as 75% of the gross area. As with reinforcing bars, the minimum specified yield strength of the rod is used to determine the required diameter.	$N_s = \phi_s A_e f_y$ where: $\phi_s = 0.9$ $A_e = 0.75 (\pi d^2/4)$ $f_y = 100 \text{ ksi}$
Substituting and solving for d :	$18 = (0.9)[0.75 (\pi d^2/4)](100)$ $d = 0.583 \text{ in}$ therefore, use a 5/8" threaded rod
Step 2 - Determine required embedment length to ensure steel failure	
Basic equation for embedment length calculation. Since there are no spacing concerns, ψ_{gn} may be taken as unity, and, since the edge distance (4 in) is less than $10d$ (6.25 in), the edge effect, ψ_e , will need to be evaluated.	$N_c = \phi_c \psi_e \psi_{gn} N_o$ (for embedment) where: $\phi_c = 0.85$ $\psi_e, \psi_{gn} = 1.0$ (no edge/spacing problem) $N_o = T' \pi d h_e$
For ductile behavior it is necessary to embed the anchor sufficiently to develop 125% of the yield strength or 100% of the ultimate strength, whichever is less.	$N_{c(\text{req'd})} = 1.25 A_e f_y \leq A_e f_u$
Determine the effective area for a 5/8" threaded rod:	$A_e = 0.75 (\pi 0.625^2/4)$ $A_e = 0.23 \text{ in}^2$
Determine the required tension force, $N_{c(\text{req'd})}$, to ensure ductile behavior.	$N_{c(\text{req'd})} = 1.25 A_e f_y \leq A_e f_u$ $N_{c(\text{req'd})} = 1.25 (.23)(100) \leq (.23)(125)$ $N_{c(\text{req'd})} = 28.75 \text{ kips} = 28.75 \text{ kips}$ Therefore, use $N_{c(\text{req'd})} = 28.75 \text{ kips}$
Determine edge effect factor, ψ_e . Note: $c_{cr} = 10d$	$\psi_e = 0.60 + 0.40 (c/10d)$ $\psi_e = 0.60 + 0.40 [4 \div (10)(.625)]$ $\psi_e = 0.86$
Substituting and solving for h_e :	$28.75 = 0.85 (1.0)(0.86)(1.08) \pi (.625) h_e$ $h_e = 18.55 \text{ inches}$

7.14.8 Example 3 - Two Adhesive Anchors Spaced at 8 inches, 4 inches from Edge

Design a group of two adhesive anchors using threaded rod (ASTM A193, Grade B7) for a factored tension load of 18 kips. The anchors are located 4 inches from an edge and are spaced 8 inches apart. Steel failure is not required.

Given:

N_u	=	18.0 kips
c	=	4 inches
s	=	8 inches
f_y	=	100 ksi
f_u	=	125 ksi
T'	=	1.08 ksi



Design Procedure	Calculation
Step 1 - Determine required rod diameter	
Determine the required diameter of the threaded rod by setting the factored tension load equal to the design steel strength.	$N_u = N_s$
The effective area for the threaded rod may be taken as 75% of the gross area. As with reinforcing bars, the minimum specified yield strength of the rod is used to determine the required diameter.	$N_s = N_s A_e f_y$ Where: $N_s = 0.9$ $A_e = (2) 0.75 (\pi d^2/4)$ $f_y = 100 \text{ ksi}$
Substituting and solving for d :	$18 = (0.9)(2)[0.75 (\pi d^2/4)](100)$ $d = 0.412 \text{ in}$ Although a 1/2" threaded rod is OK, use a 5/8" threaded rod to minimize embedment length
Design steel strength	$N_s = 0.9(2)(0.75)(\pi 0.5^2/4)(100)$ $N_s = 129,000 \text{ kN} > 80,000 \text{ k}$ OK therefore; OK
Step 2 - Determine required embedment length	
Basic equation for embedment length calculation. Since there are edge or spacing concerns, ψ_e and ψ_{gn} will need to be determined.	$N_c = N_c \psi_e \psi_{gn} N_0$ (for embedment) where: $N_c = 0.85$ ψ_e and ψ_{gn} are calculated below $N_0 = T' \pi d h_e$
Determine edge effect factor, ψ_e .	$\psi_e = 0.60 + 0.40 (c \div 10d)$ $\psi_e = 0.60 + 0.40 [4 \div (10)(.625)]$ $\psi_e = 0.86$
Determine group effect factor, ψ_{gn} . Note: ψ_{gn} is best determined by assuming a value for h_e and iterating to find the required embedment.	$\psi_{gn} = A_n / A_0$ $\psi_{gn} = \frac{(4 + h_e)[8 + 2(h_e)]}{4.0(h_e)^2}$ $\psi_{gn} = \frac{(4 + 14)[8 + 2(14)]}{4.0(14)^2}$ $\psi_{gn} = 0.83$
Therefore, assume: 14 in	
Substituting and solving for h_e .	$18 = (0.85)(0.83)(0.86)(1.08) \pi (.625) h_e$ $h_e = 14.09 \text{ inches (abt. 14 inches)}$ therefore OK
Design adhesive bond strength.	$N_c = (0.85)(0.83)(0.86)(1.08)\pi (.625)(14)$ $N_c = 18.01 > 18$. Therefore OK
Step 3 - Final Design Strength	
Strength as controlled by steel.	$N_s = 26.5 \text{ kips} > 18 \text{ kips}$. Therefore OK
Strength as controlled by adhesive bond.	$N_c = 18.01 \text{ kips} > 18 \text{ kips}$. Therefore OK
Final Design.	2 – 5/8" anchors embedded 14 in

7.15 Design Criteria For Segmental Box Girder Bridges [5.14.2]

The design criteria included in this Chapter apply to the design of precast or cast-in-place segmental concrete bridges in Florida. These criteria are to be used by any authority, consultant, or contractor engaged in segmental design for the FDOT.

Contract drawings shall be prepared in accordance with **LRFD** specifications. Specific requirements regarding post-tensioning duct size and alignment are described in this Chapter. Chapter 1 shall be considered when selecting the depth of, and detailing for, concrete box girders to meet inspection and maintenance criteria.

The following conditions apply to the design and construction of segmental bridges:

- A. Dry joints are not allowed.
- B. External tendons shall be bonded only at the diaphragms and deviation points but shall not be located internal to the typical concrete cross section.

All cable grouts shall conform to the new Grout Material Specification 938. Grouting plans must be developed and provide for low point up grouting with adequate access and venting locations.

7.15.1 Design Loading [5.14.2.3]

All loadings shall conform to the referenced Specifications except as provided hereinafter.

7.15.2 Thermal Effects [5.14.2.3.5]

- A. Normal Mean Temperature:
For detailing purposes, the normal mean temperature shall be taken from Table 6.2 in Chapter 6.
- B. Seasonal Variation (expansion/contraction):
Refer to Table 6.2 in Chapter 6 for temperature ranges.
- C. Temperature setting variations for bearing and expansion joints shall be stated on the bridge plans.

7.15.3 Creep and Shrinkage [5.14.2.3.6]

Creep and shrinkage strains and effects shall be calculated in accordance with **LRFD** using Relative Humidity of 75%.

7.15.4 Prestress

The structure shall be designed for both initial and final prestress forces.

- A. Secondary Effects:
Prestress forces in continuous structures can result in substantial secondary effects. Also, in curved structures, draped web tendons will produce

transverse bending stresses in the box cross-section due to the lateral component of forces arising from plan curvature. All such effects must be properly considered.

B. Deck Slab:

All box girder deck slabs shall be transversely post-tensioned. Where draped post-tensioning is used in deck slabs, due consideration shall be given to the final location of the c.g.s. (**C**enter of **G**ravity of the prestressing **S**teel) within the duct. Critical eccentricities over the webs and at the centerline of box shall be reduced ¼” from theoretical to account for adverse construction tolerances.

C. Tendon Geometry

When coordinating design calculations with detail drawings, the EOR shall take into account the fact that the center of gravity of the duct (c.g.) and the c.g.s are not necessarily coincidental.

D. Required Prestress:

Prestress forces are required to be shown on the drawings only at locations where they can be verified during construction; i.e., at anchorages at the stressing ends of tendons.

E. Internal/External Tendons:

The use of tendons that are both internal and external to the concrete box section along their length is **prohibited**.

F. Diaphragms and deviation blocks are considered parts of an external tendon system.

7.15.5 Material

A. Concrete:

The minimum 28-day cylinder strengths of concrete shall be:

- 1.) Precast superstructure (including CIP joints) 5.5 ksi
- 2.) Precast pier stems 5.5 ksi

B. Post-Tensioning Steel:

- 1.) Strand ASTM A416, Grade 270, low relaxation.
- 2.) Parallel wires ASTM A421, Grade 240.
- 3.) Bars ASTM A722, Grade 150.

C. Post-Tensioning Anchor set (to be verified during construction):

- 1.) Strand..... ½”
- 2.) Parallel wires ½”
- 3.) Bars 0

7.15.6 Expansion Joints

A. Design:

Expansion joints shall be designed for the full range of movement anticipated due to creep, shrinkage, elastic shortening, and temperature effects. The provisions of Chapter 6 shall also apply.

B. Settings:

The setting of expansion joint recesses and expansion joint devices, including any precompression, shall be clearly stated on the drawings. Expansion joints shall be sized and set at time of construction for the following conditions:

- 1.) Allowance for opening movements based on the total anticipated movement resulting from the combined effects of creep, shrinkage, and temperature rise and fall. Creep and shrinkage shall be computed from the time the expansion joints are installed through day 4000. Temperature rise and fall shall be based on 120% of the maximum value given in Figure 8-1. All expansion joints shall be installed after superstructure segment erection and deck profiling is completed for the entire bridge. A note stating this requirement shall be placed on plans.
- 2.) To account for the larger amount of opening movement, expansion devices should be set precompressed to the maximum extent possible. Calculations shall allow for an assumed setting temperature of 85EF. The EOR shall provide a table on the plans giving precompression settings according to the prevailing conditions. Expansion devices shall be sized and set to remain in compression through the full range of design temperature from their initial installation until a time of 4,000 days.
- 3.) A table of setting adjustments shall be provided to account for temperature variation at the time of installation. The table shall indicate the ambient air temperature at time of installation, and adjustments shall be calculated for the difference between the ambient air temperature and the mean temperature given in Figure 6-1.

C. Armoring:

Concrete corners under expansion joint devices shall be provided with adequate steel armoring to prevent spalling or other damage under traffic. It is recommended that the armor be at least 4x4x5/8 galvanized angles anchored to the concrete with welded studs or similar devices. Horizontal concrete surfaces supporting the expansion joint device and running flush with the armoring shall have a finish acceptable for the device. All armoring shall have adequate vent holes to assure proper filling and compaction of the concrete under the armor.

7.15.7 Erection Schedule and Construction System

A typical erection schedule and anticipated construction system shall be incorporated into the design documents in an outlined, schematic form. The assumed erection loads, along with times of application and removal of each of the erection loads, shall be clearly stated in the plans.

7.15.8 Construction Data Elevation and Camber Curve

A. General:

Construction Data Elevations shall be based on the vertical and horizontal highway geometry; whereas, the Camber Curve shall be calculated and

based on the assumed erection loads used in the design and the assumed construction sequence.

B. Construction Data Elevations:

This information shall be based on the highway geometry and shall be given in 3D space with “x”, “y”, and “z” coordinates. The data points shall be located at the centerline of the box and over each web of the box(es).

C. Camber Curve:

Camber Curve data shall be provided at the centerline of the box. Camber curve data is the opposite of deflections. Camber is the amount by which the concrete profile at the time of casting must differ from the theoretical geometric profile grade (generally a straight line) in order to compensate for all structural dead load, post-tensioning, long and short term time dependent deformations (creep and shrinkage), and effects of construction loads and sequence of erection.

7.15.9 Final Computer Run

It is required that the final design shall be proven by a full longitudinal analysis taking into account the assumed construction process and final long term service condition, including all time related effects. The analysis shall be made using a computer program approved by SDO.

7.15.10 Integrated Drawings

Congested areas of post-tensioned concrete structures shall be shown on integrated drawings with an assumed post-tensioning system. Such areas include, but are not necessarily limited to, anchorages zones, areas containing embedded items for the assumed post-tensioning system, areas where post-tensioning ducts deviate both in the vertical and transverse directions, and other highly congested areas as determined by the engineer and/or the Department.

The assumed post-tensioning system, embedded items, etc. shall be selected in a manner that will accommodate competitive systems. Integrated drawings utilizing the assumed system shall be defined to a scale and quality required to show double-line reinforcing and post-tensioning steel in two-dimension (2-D) and, when necessary, in complete three-dimension (3-D) drawings and details.

7.15.11 Special Requirements for Post-tensioning Anchorages

Post-tensioning termini that are required to be located in either the top or bottom slab of box girder bridges, whether for permanent or temporary post-tensioning, shall be anchored by means of interior “blisters” or other approved means. Blockouts that extend either to the interior or exterior surfaces of the slabs are not permitted.

It is preferred that post-tensioning termini that are required to be located in either the top or bottom slab of box girder bridges, whether for permanent or temporary

post-tensioning, be anchored by means of interior “blisters” at the web/top slab interface. Tendons may be anchored on the face of segments provided that the tendon is grouted before the next segment is assembled. All anchor blisters for tendons shall terminate no closer than 18” to a joint between segments. Blockouts that extend either to the interior or exterior surfaces of the slabs are not permitted.

7.15.12 Epoxy Joining of Segments

All joints between precast segmental bridge segments shall contain epoxy on both faces. This requirement applies to substructure and superstructure precast units.

7.16 Couplers in Post-Tensioning Tendons [5.4.5]

Strand couplers as described in LRFD [5.4.5] are **not** allowed.

7.17 Design of Continuous Prestressed Concrete I-Girder Superstructures [5.4.2.3]

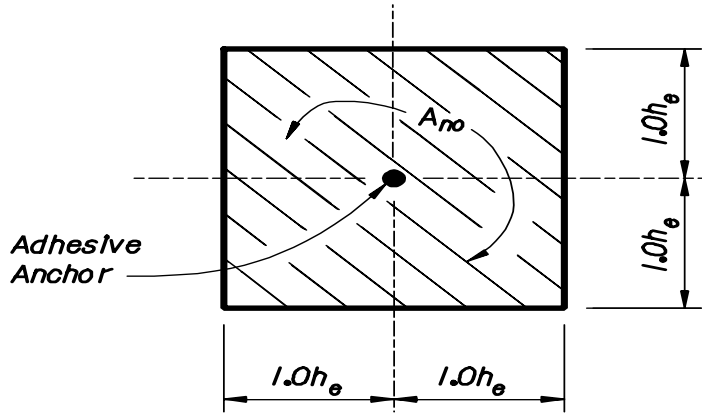
For the design of continuous prestressed concrete I-Girder superstructures, comply with the requirements of **LRFD [5.4.2.3]** by utilizing ACI 209 with the following design values:

- A. Ultimate Creep Coefficient2.0
- B. Ultimate Shrinkage Strain0.0004
- C. Beam Age when Deck is Cast 120 Days

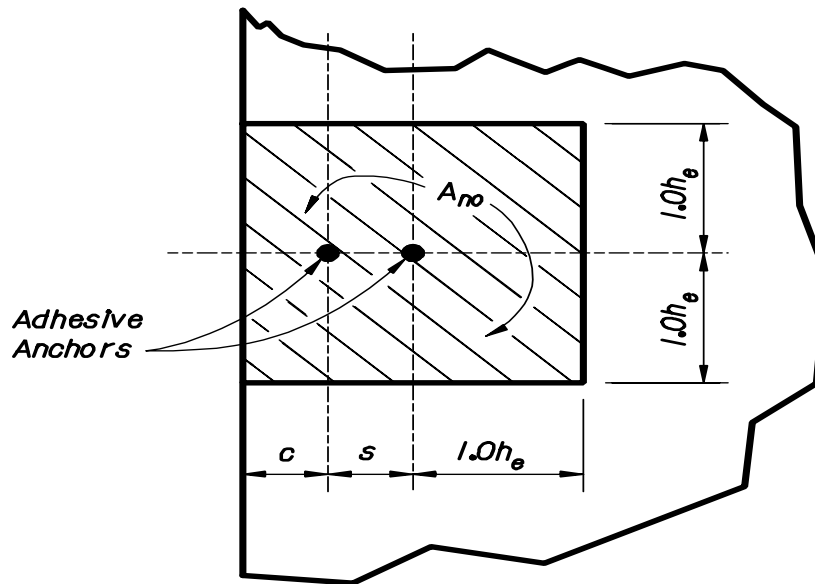
The foregoing creep and shrinkage values include corrections for slump, humidity, and volume/surface ratio; and shall be used for both the beam and the deck slab.

Commentary:

A parametric study conducted by the FDOT’s Structures Design Office indicates that the above values predict losses consistent with the AASHTO lump-sum loss approach. The correction factors applied to the basic creep and shrinkage values are average values. The values given above are subject to change as future research results become available.



FOR CALCULATION of A_{no}



FOR CALCULATION of A_n

**EFFECTIVE TENSILE STRESS AREAS
OF ADHESIVE ANCHORS**

Figure 7-1

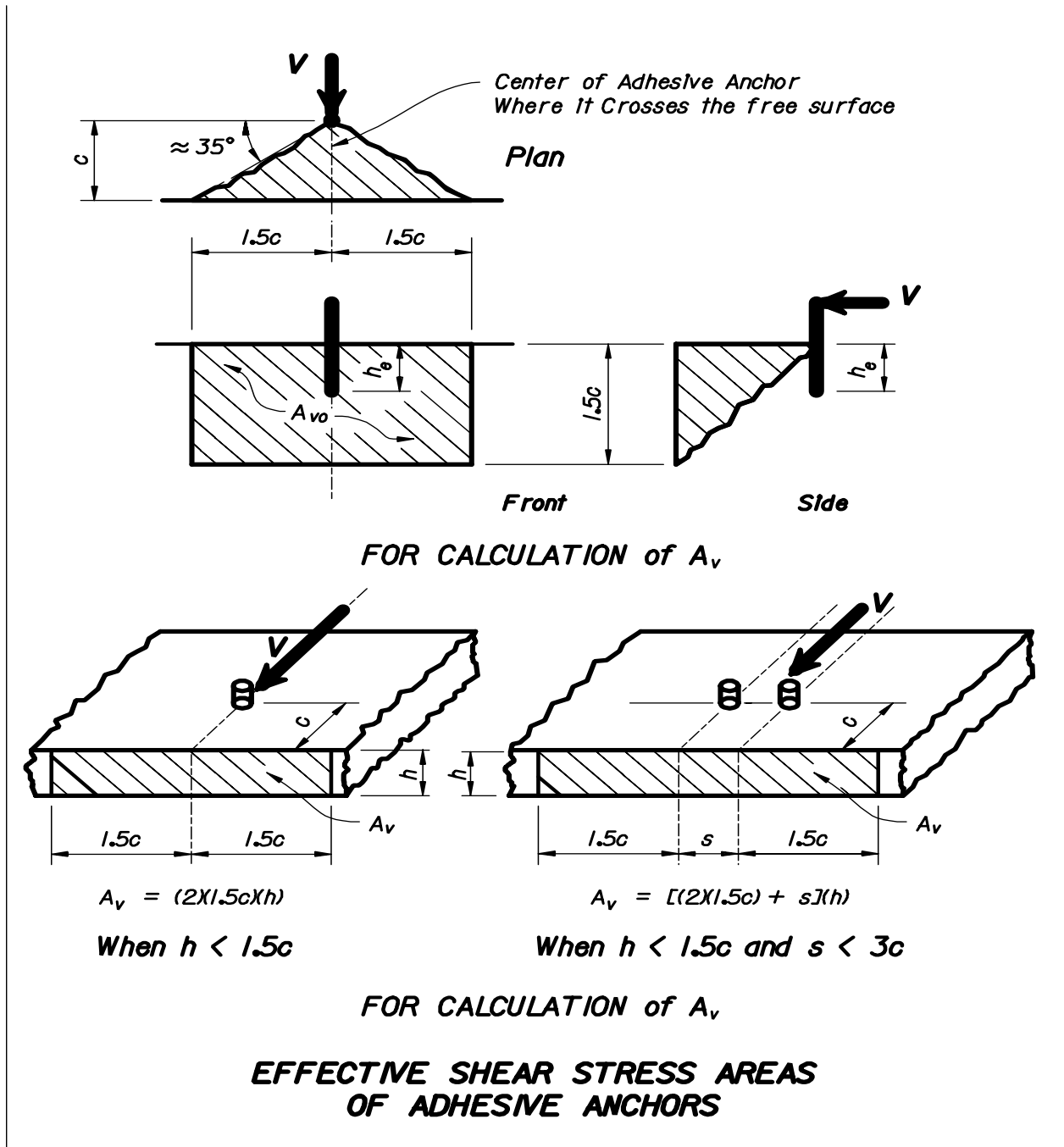


Figure 7-2

CHAPTER 8

STEEL BRIDGE STRUCTURES

8.1 General	8-1
8.2 Structural Steel [6.4.1].....	8-1
8.3 Bolts [6.4.3.1]	8-2
8.4 Dead Load Camber [6.7.2].....	8-2
8.5 Minimum Steel Dimensions [6.7.3].....	8-2
8.6 Size of Steel Plates	8-2
8.7 Diaphragms and Cross Frames For “I-Girders” [6.7.4]	8-3
8.8 Diaphragms and Cross Frames for Box Girders [6.7.4].....	8-3
8.9 Lateral Bracing [6.7.5]	8-3
8.10 Transverse Intermediate Stiffeners [6.10.8.1]	8-4
8.11 Bearing Stiffeners [6.10.8.2].....	8-4
8.12 Minimum Negative Flexure Slab Reinforcement [6.10.3.7]	8-4
8.13 Longitudinal Stiffeners [6.10.8.3].....	8-5
8.14 Connections and Splices [6.13].....	8-5
8.15 Size of Bolts [6.13.2.5]	8-5
8.16 Slip Resistance [6.13.2.8].....	8-5
8.17 Welded Connections [6.13.3]	8-6
8.18 Welded Splices [6.13.6.2].....	8-6
8.19 Steel Sheet Piling.....	8-7

CHAPTER 8

STEEL BRIDGE STRUCTURES

8.1 General

This Chapter includes guidance for the design and detailing of steel bridges. Steel bridge components shall be designed in accordance with **LRFD** and the requirements of this Chapter.

Structural steel for miscellaneous items such as ladders, platforms, and walkways shall be designed in accordance with the current AISC **Manual of Steel Construction, Load and Resistance Factor Design**.

Ease of inspection shall be considered in selecting the depth and in the detailing of steel box girders. Refer to the constructability and maintainability requirements of Chapter 26 of Volume I of the **Plans Preparation Manual** and Chapter 1 of this guideline.

For concrete decks of steel bridges see Chapter 7 of this volume.

A bridge with steel members that are curved for part or all of its length shall be designed in its entirety in accordance with the current AASHTO **Guide Specifications for Horizontally Curved Highway Bridges**, the AASHTO **Standard Specifications for Highway Bridges**, and Interim Specifications.

Commentary:

*The **LRFD** Specifications for horizontally curved bridges is **not** currently available.*

8.2 Structural Steel [6.4.1]

All structural steel shall be in accordance with AASHTO M270 (ASTM A709), Grade 36, 50, or 50W or ASTM A709, Grade HPS 70W. Grade 100 or 100W may be approved by the Department for use in special cases. Show the AASHTO M270 or ASTM A709 designation on the contract documents. Weathering steel shall not be painted unless approved by the SDO.

Miscellaneous hardware, including shapes, plates, and threaded bar stock, may conform to ASTM A709, Grade 36.

Commentary:

AASHTO M270 and ASTM A709 are bridge steel specifications that include notch toughness and weldability requirements. These requirements may not be present in other ASTM Specification such as A36 or A588. Steels meeting bridge steel specifications are pre-qualified for use in welded bridges.

8.3 Bolts [6.4.3.1]

Structural bolted connections shall be designed as slip-critical. ASTM A325 Type 1 high-strength bolts shall be used in painted connections, and Type 3 bolts shall be used for unpainted weathering steel connections. ASTM A490 bolts shall not be used unless approved by the SDO or DSDO. Non-high-strength bolts may conform to ASTM A307.

8.4 Dead Load Camber [6.7.2]

The structure, including the slab, shall be designed for a sequence for placing the concrete deck that shall be shown on the plans. Camber diagrams shall account for the deck placing sequence. The designer shall consider the superstructure geometric and properties and use the appropriate level of analysis to determine deflections and camber.

Commentary:

Steel girders are to be fabricated to match the profile grade with an allowance for dead load deflection such that when the deck is placed, the amount of build-up is minimized. For skewed or curved bridges, or for bridges with large overhangs on the exterior girder, a grid, 3-D or finite element analysis may be necessary to determine accurately the girder deflections and required camber.

8.5 Minimum Steel Dimensions [6.7.3]

The minimum thickness of plate girder and box girder webs is 7/16 inch.

The minimum flange size for plate girders and top flanges of box girders is 3/4 x 12 inches.

The minimum box girder bottom flange thickness is 1/2 inches.

Commentary:

These minimum dimensions are selected to reduce distortion caused by welding and to improve girder stiffness for shipping and handling.

8.6 Size of Steel Plates

Specify flange plate widths and web plate depths in 1-inch increments.

Specify plates in accordance with the commonly available thicknesses of Table 8.1.

Commentary:

On a given project, the number of different flange plate thicknesses should be minimized so that the fabricator is not required to order small quantities.

Table 8.1 Thickness Increments for Common Steel Plates

THICKNESS INCREMENT (in)	PLATE THICKNESS (in)
1/16"	3/16" to 3/8"
1/8"	3/8" to 1"
1/4"	> 1"

8.7 Diaphragms and Cross Frames For "I-Girders" [6.7.4]

Diaphragms shall be connected with bolts at stiffener locations and shall be connected directly to stiffeners without the use of connection plates whenever possible. Generally, a "K-frame" detailed to eliminate variation from one diaphragm to another, is the most economical arrangement and should be used. For straight bridges with a constant cross section, parallel girders, and a girder-spacing-to-girder-depth ratio less than two, an "X-frame" design is generally the most economical and shall be considered.

8.8 Diaphragms and Cross Frames for Box Girders [6.7.4]

External diaphragms shall be an "X-frame" or a "K-frame" as noted for "I-girders" above and shall be connected to girders with bolts at stiffener locations. Internal diaphragms may be connected by welding or bolting to stiffeners in the fabrication shop. For box girders, a "K-frame" internal diaphragm shall be used.

Commentary:

An "X-frame" internal diaphragm is easier to fabricate and erect than a "K-frame," but the "K-frame" allows easier inspection access in box girders.

8.9 Lateral Bracing [6.7.5]

For box girders, an internal lateral bracing system shall be used in the plane of the top flange.

Commentary:

A single diagonal member is preferred over an “X-diagonal” configuration for ease of fabrication and erection. Details shall avoid interferences between the lateral bracing and stay-in-place metal forms.

8.10 Transverse Intermediate Stiffeners [6.10.8.1]

Intermediate stiffeners that provide diaphragm connections shall be attached to the compression flange by fillet welding and attached to the tension flange, or flanges subject to stress reversal, by fillet welding or bolting.

Commentary:

On tension flanges, welded connections are preferred because of the lower cost, but the design of the flange must consider the appropriate fatigue detail category. A bolted connection is acceptable if the cost is justified.

Intermediate stiffeners without diaphragm connections and located in areas of stress reversal shall have a tight fit at the bottom flange but need not be in bearing with the top flange.

8.11 Bearing Stiffeners [6.10.8.2]

All Bearing Stiffeners that do not have attached diaphragms shall be mill-to-bear on the bottom flange and shall tight fit at the top flange.

Bearing Stiffeners that also provide diaphragm connections shall be mill-to-bear on the bottom flange and shall be fillet welded to both the top and bottom flanges. In negative moment regions only, however, stiffeners with attached diaphragms may be bolted to the top flange.

Commentary:

In negative moment regions, welded connections are preferred because of the lower cost, but the design of the flange must consider the appropriate fatigue detail category.

8.12 Minimum Negative Flexure Slab Reinforcement [6.10.3.7]

Negative flexural regions shall be considered as any location where the top of the slab is in tension under any combination of dead load and live load.

Commentary:

See Chapter 7 for additional slab reinforcing requirements.

8.13 Longitudinal Stiffeners [6.10.8.3]

Whenever possible, longitudinal stiffeners shall not be used. However, if they must be used, they preferably shall be made continuous on one side of the web with transverse stiffeners located on the other side of the web. Generally, for aesthetic reasons, transverse stiffeners shall not be placed on the exterior face of exterior girders.

Commentary:

If longitudinal stiffeners are being considered, an analysis of material and labor costs should be performed to justify their use. Their use may be justified on deep, haunched girders but normally cannot be justified on constant depth girders. When longitudinal stiffeners are used on the same side of the web as the transverse stiffeners, the intersection of the stiffeners must be carefully designed with respect to fatigue.

8.14 Connections and Splices [6.13]

Field connections shall be bolted, not welded. Field welding is allowed only by prior written approval by the SDO or the appropriate DSDO and then, only when bolting is impractical or impossible.

Where cantilever brackets are connected to exterior girders and tie plates are used to connect the top flange of the bracket to the top flange of the floor beam, the tie plates shall not be connected to the girder top flange. Short slotted holes shall be detailed in the top flange of the cantilever brackets (perpendicular to the bracket web), to account for alignment tolerances. The allowable bolt stress shall be reduced accordingly.

8.15 Size of Bolts [6.13.2.5]

Bolt diameters of 3/4 , 7/8, 1, or 1 1/8 inch typically should be used. Larger bolts may be used with prior approval by the Department. Preferably, one size bolt shall be used for all structural connections on any given structure.

8.16 Slip Resistance [6.13.2.8]

Design bolted connections for Class B surface condition. When the thickness of the plate adjacent to the nut is greater than or equal to 3/4 inch, the strength of the connection shall be based on the bolt shear strength with threads excluded from the shear plane.

Commentary:

This surface condition agrees with Florida fabrication practice.

8.17 Welded Connections [6.13.3]

The designer shall not show a specific, pre-qualified complete-joint penetration weld designation on the plans unless a certain type of weld; i.e., "V," "J," "U," etc., is required.

Commentary:

The fabricator should be allowed to select the type of complete-joint penetration weld to use, and should show all welds on the shop drawings.

The plans shall identify areas that are subject to tension and those subject to stress reversal.

Commentary:

This information will enable inspection personnel to identify the type and extent of testing required. Also, the shop drawings will further identify these areas.

When welding is required during rehabilitation or widening of an existing structure, the plans shall show the type of existing base metal. If the EOR cannot determine the base metal type, or if the type is not an approved base metal included in the ANSI/AASHTO/AWS **Bridge Welding Code**, then a welding investigation shall be performed. The EOR shall advise the District Structures Design Office of the situation. The State Materials Office and the Department's independent inspection agency will then determine the welding procedures and welding inspection requirements for the project.

8.18 Welded Splices [6.13.6.2]

At flange transitions, the cross-sectional area shall not be reduced by more than one-half the area of the larger flange plate.

Commentary:

These proportions will allow a smooth flow of stress through the splice.

Flange widths should be kept constant within each field-bolted section.

Commentary:

By having constant width flange plates in a field section, the fabricator may order plates in multiples of the flange width, butt weld the plates full width, and then strip-out the flanges. Thus, the fabricator is required to make a minimum number of butt welds, handle a minimum number of pieces, and, thereby, minimize his fabrication costs.

The following criteria may be used to make a determination of the number of pounds, Δw , of material that must be saved to justify the cost of introducing a flange transition:

- A. For 36 ksi material: $\Delta w = 300 + (25.0) \times (\text{area of the smaller flange plate, in}^2)$,
- B. For 50 ksi material : $\Delta w = 250 + (21.3) \times (\text{area of the smaller flange plate, in}^2)$,
- C. For 70 ksi material : $\Delta w = 220 + (18.8) \times (\text{area of the smaller flange plate, in}^2)$.

8.19 Steel Sheet Piling

The designer shall design and show on the plans the required sheet pile properties for both cold-rolled and hot-rolled sections. Design of the cold-rolled section shall be based on flexural section properties that are 85% of the full-section values. Wall components such as caps and tie-backs shall be detailed to work with both the hot-rolled and cold-rolled sections.

Commentary:

Tests have shown that cold-rolled sheet pile sections fail in bending at about 85% of their full-section capacity, while hot-rolled sections develop full capacity. There is also some question on the availability of hot-rolled sheet piles; so, by showing the required properties for both types, the Contractor can furnish whichever is available.

CHAPTER 9

WIDENING AND REHABILITATION

9.1 General	9-1
9.2 Widening Classifications and Definitions	9-1
9.2.1 Major Widening.....	9-1
9.2.2 Minor Widening.....	9-1
9.3 Analysis and Design.....	9-1
9.3.1 Aesthetics	9-1
9.3.2 Materials	9-2
9.3.3 Load Distribution.....	9-2
9.3.4 Specifications	9-2
9.3.5 Overlays	9-2
9.3.6 Substructure	9-2
9.3.7 Other Special Considerations	9-3
9.4 Attachment of Widening to Existing Structure	9-3
9.4.1 Drilling into Existing Structure.....	9-3
9.4.2 Dowel Embedments.....	9-3
9.4.3 Surface Preparation.....	9-4
9.4.4 Connection Details	9-4
9.5 Expansion Joints... See Chapter 6.....	9-4
9.6 Traffic Railing Barriers... See Chapter 6.	9-4
9.7 Construction Sequence	9-4
9.8 Bridge Widening Rules.....	9-5
9.9 Bridge Deck Grooving	9-6

CHAPTER 9

WIDENING AND REHABILITATION

9.1 General

Prior to widening any structure, the inspection report load analysis of the structure shall be reviewed. If the inventory load rating does not meet or exceed HL-93, a more refined analysis shall be performed to accurately load-rate the structure. If the rating is still below the required rating, the bridge should be strengthened to meet the required capacity or shall be considered for replacement.

For flat slab type structures that do not load-rate at HL-93, an analysis shall be performed to establish if adequate capacity exists for typical FDOT-permit trucks.

9.2 Widening Classifications and Definitions

Bridge structures to be widened shall be classified as either major or minor widenings according to the definitions of this Article.

9.1.1 Major Widening

A Major Widening is defined as new construction work to an existing bridge facility such that either the resulting total number of traffic lanes or bridge deck area is at least twice that of the unwidened bridge. The area shall be computed using the transverse coping-to-coping dimension.

9.1.2 Minor Widening

Any new construction work to an existing bridge facility that does **NOT** meet the requirements of a major widening as defined above.

Commentary:

The term "facility" describes the total number of structures required to carry a transportation route over an obstruction. In this context, adding two lanes of traffic to one bridge of twin, two-lane bridges would be a minor widening because the total number of lanes of resulting traffic, six (6), in the finished "facility" is not twice the sum number of lanes of traffic, four (4), of the unwidened, existing twin bridges.

9.3 Analysis and Design

9.3.1 Aesthetics

The widening of a structure should be accomplished in a manner such that the existing structure does not look "added onto." The aesthetic level of the widened structure shall be equal to or higher than the aesthetic level of the existing

structure. When appropriate, consideration should be given to applying a Class V Finish to the existing structure.

9.3.2 Materials

Materials used in the construction of the widening shall preferably have the same thermal and elastic properties as the materials used in the construction of the existing structure.

9.3.3 Load Distribution

The main load carrying members of the widening shall be proportioned to provide longitudinal and transverse load distribution characteristics similar to the existing structure.

Commentary:

Normally, this can be achieved by using the same cross-sections and member lengths as were used in the existing structure.

The construction sequence and degree of interaction between the widening and the existing structure after completion shall be fully considered in determining the distribution of the dead load for the design of the widening as well as for stress checks of the existing structure. The distribution of live load shall be in accordance with the applicable criteria of **LRFD**.

9.3.4 Specifications

All widenings shall be designed in accordance with **LRFD**. Stresses in the main exterior member of the existing structure shall be reviewed for construction conditions and the final condition; i.e., after attachment of the widened portion of the structure. When computations indicate overstresses in the exterior member of the existing structure, the EOR shall request a variation from the appropriate FDOT Structures Design Office.

9.3.5 Overlays

The removal of asphalt overlays on bridge decks is preferred.

9.3.6 Substructure

As with any bridge structure, when selecting the foundation type for a widening, the EOR shall consider the recommendations of both the District Geotechnical Engineer and the District Drainage Engineer.

9.3.7 Other Special Considerations

- A. All widenings shall be designed for HL-93 loading regardless of the loading used in the original design.
- B. The amount of differential camber which will be present prior to placing the new deck must be considered in detailing connections and selecting or permitting construction methods.
- C. Open or sealed longitudinal joints in the riding surface are safety hazards and are to be avoided whenever possible.
- D. During deck pour and curing, it is preferable to minimize or eliminate live load vibrations from the existing structure.
- E. Refer to Chapter 6 for guidance regarding bearing replacement capabilities of widened structures.
- F. Ample clearance between proposed driven piles and existing piles, utilities, or other obstructions shall be provided. This is especially critical for battered piles.
- G. Bearing fixity and expansion devices should be the same in both the widened and existing bridges.

9.4 Attachment of Widening to Existing Structure

9.4.1 Drilling into Existing Structure

When drilling into heavily reinforced areas, exposure of the main reinforcing bars by chipping shall be specified. Drilled holes shall have a minimum edge distance of three times the metal anchor diameter ($3d$) from free edges of concrete and 1 inch minimum clearance between the edges of the drilled holes and existing reinforcing bars. Core drilling shall be specified for holes larger than $1\frac{1}{2}$ inches in diameter. If it is necessary to drill through reinforcing bars, core drilling should be specified.

If FDOT-approved Adhesive Anchor Systems are to be used, they shall comply in all respects with the criteria and requirements of Chapter 7.

9.4.2 Dowel Embedments

Reinforcing bar dowel embedments shall meet minimum development length requirements whenever possible. If this is not possible (e.g., traffic railing dowels into the existing slab), the following options are available:

- A. The allowable stresses in the reinforcing steel shall be reduced by the ratio of the actual embedment divided by the required embedment.
- B. If embedded anchors are to be used to develop the reinforcing steel, use Adhesive Anchor Systems designed in accordance with Chapter 7.

9.4.3 Surface Preparation

Preparation of existing surfaces for concreting shall be in accordance with "Removal of Existing Structures" in Sections 110 and 400 of the FDOT's ***Standard Specifications for Road and Bridge Construction***.

9.4.4 Connection Details

Figures 9-1 through 9-4 are samples of details that have been used successfully for bridge widenings for the following types of bridge superstructures.

A. Flat Slab Bridges (Figure 9-1):

It is preferred that a portion of the existing slab be removed in order to expose the existing transverse reinforcing for splicing. If the existing reinforcing steel cannot be exposed, the transverse slab reinforcing steel for the widening may be doweled directly into the existing bridge without meeting the normal splice requirement. When splicing to the existing steel is not practical, Adhesive Anchor Systems, designed in accordance with Chapter 7, shall be utilized for the slab connection details as shown in Figures 9-1 and 9-4.

B. T-Beam Bridges (Figure 9-2):

The connection shown in Figure 9-2 for the slab connection is recommended. Limits of slab removal are at the discretion of the EOR but subject to the Department's approval.

C. Steel and Concrete Girder Bridges (Figure 9-3):

The detail shown in Figure 9-3 for the slab connection is recommended for either prestressed concrete or steel beam superstructures.

Commentary:

These figures are for general information and are not intended to restrict the EOR in his judgment.

9.5 Expansion Joints... See Chapter 6.

9.6 Traffic Railing Barriers... See Chapter 6.

9.7 Construction Sequence

A construction sequence, taking into account the Traffic Control requirements, shall be shown on the preliminary bridge plans submittal for all projects. Traffic Control Plans shall address traffic needs during construction activities on the existing structure such as installation of new joints, deck grooving, etc.

The final plans shall include a complete outline of the order of construction along with the approved Traffic Control Plans. The plans shall also include details for performing any necessary repairs to the existing bridge.

9.8 Bridge Widening Rules

In order to minimize changing the characteristics of the deck slab supports and/or unduly affecting maintenance and aesthetics, the following criteria must be adhered to during the preparation of plans for bridge widening:

- A. The widened portion of a **minor** widening shall match the existing structure. Refer to Chapter 7 for deck slab design.
- B. The mixing of concrete and steel beams in the same span shall be avoided.
- C. The use of beams of the same type as those in the existing structure is preferred; however, if the existing beams are cast-in-place concrete, the widened deck shall be supported on prestressed beams.
- D. The required vertical clearance on Interstate structures shall be provided unless an exception is granted. To assist in meeting the minimum vertical clearance requirements on a widening, the standard beam depth may be decreased. Where the existing bridge does not satisfy current vertical clearance requirements and where the economics of doing so are justified, the superstructure shall be elevated and/or the underpassing roadway shall be lowered as part of the widening project.

Commentary:

The stated clearance criteria is particularly important for bridges that have a history of frequent superstructure collisions from over-height vehicles.

- E. Generally, the transverse reinforcement in the new deck should be spaced to match the existing spacing. Different bar sizes may be used if necessary.
- F. Voided-slab bridges require special attention. If widening of a voided-slab bridge is being proposed, the DSDE shall be contacted for guidance. The DSDE will coordinate with the SDO to establish recommendations and criteria for the widening of the particular structure.
- G. For all widenings, the EOR must confirm that the available existing bridge plans depict the actual field conditions. Any discrepancies between existing plans and actual field conditions, which in the EOR's opinion are critical to the continuation of the widening design, should be brought to the attention of the FDOT's Project Manager at the earliest possible time

Commentary:

In general, confirming the agreement of existing plans with actual field conditions should be included as part of any new survey. A structural engineer shall be involved in checking that the existing plans agree with actual field conditions for items such as:

Bridge location, pier location, skew angle, stationing.

Span lengths.

Number and type of beams.

Wingwall, pier, and abutment details.

Utilities supported on the bridge.

Finished grade elevations.

*Vertical and horizontal clearances.
Other features critical to the widening.*

9.9 Bridge Deck Grooving

For widened superstructures where at least one traffic lane is to be added, the entire deck area described in Chapter 7, "Grooving Bridge Decks", shall be grooved.

For projects with shoulder widening only, a note should be added to the plans specifying that the bridge floor finish shall match that of the existing bridge deck surface. However, if the existing bridge deck surface is in poor condition, the DSDO shall be contacted for direction.

On bridge widening projects where the existing bridge deck does not conform with the current reinforcing steel cover requirement and the superstructure environment is classified as Extremely Aggressive due to the presence of chlorides, the existing bridge deck shall be sealed after grooving. If the existing deck is not to be grooved, then a penetrant sealer shall **not** be used. A note and a sketch describing the concrete surfaces to be coated with penetrant sealer shall be included in the "General Notes" of the bridge plans.

Contact the SDO for guidance for the required bridge surface finish for unusual situations or for bridge deck surface conditions not covered above.

All bridge plans for new construction that utilize C-I-P bridge deck (floors) that will not be surfaced with asphaltic concrete shall include the following item in the Summary of Pay Items:

Item No. 400-7 - Bridge Floor GroovingSq. Yards

Quantity Determination: The quantity of bridge floor grooving shall be determined in accordance with the provisions of Article 400-22.4 of the "Specifications."

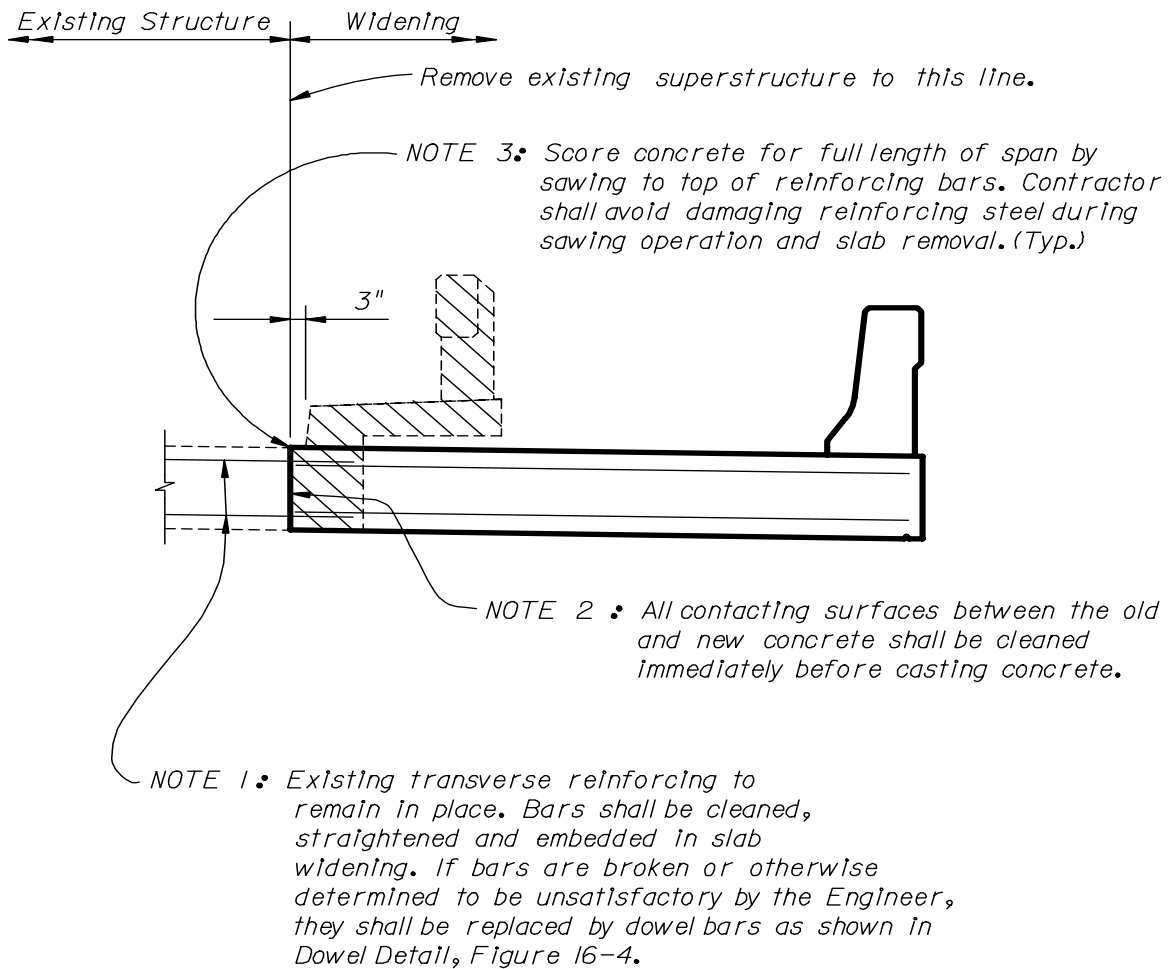
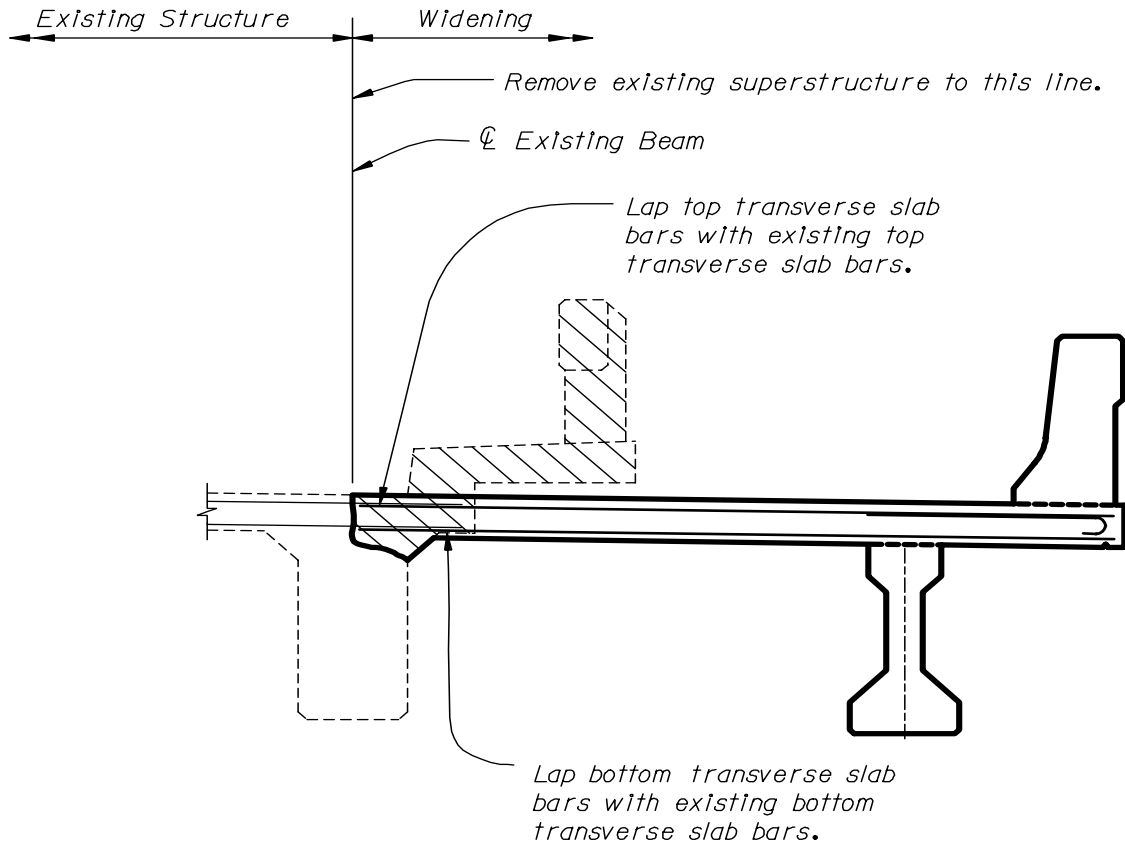


Figure 9-1
Widening Detail for Flat Slab Superstructure



See Notes 1, 2 & 3 in Figure 16-1.


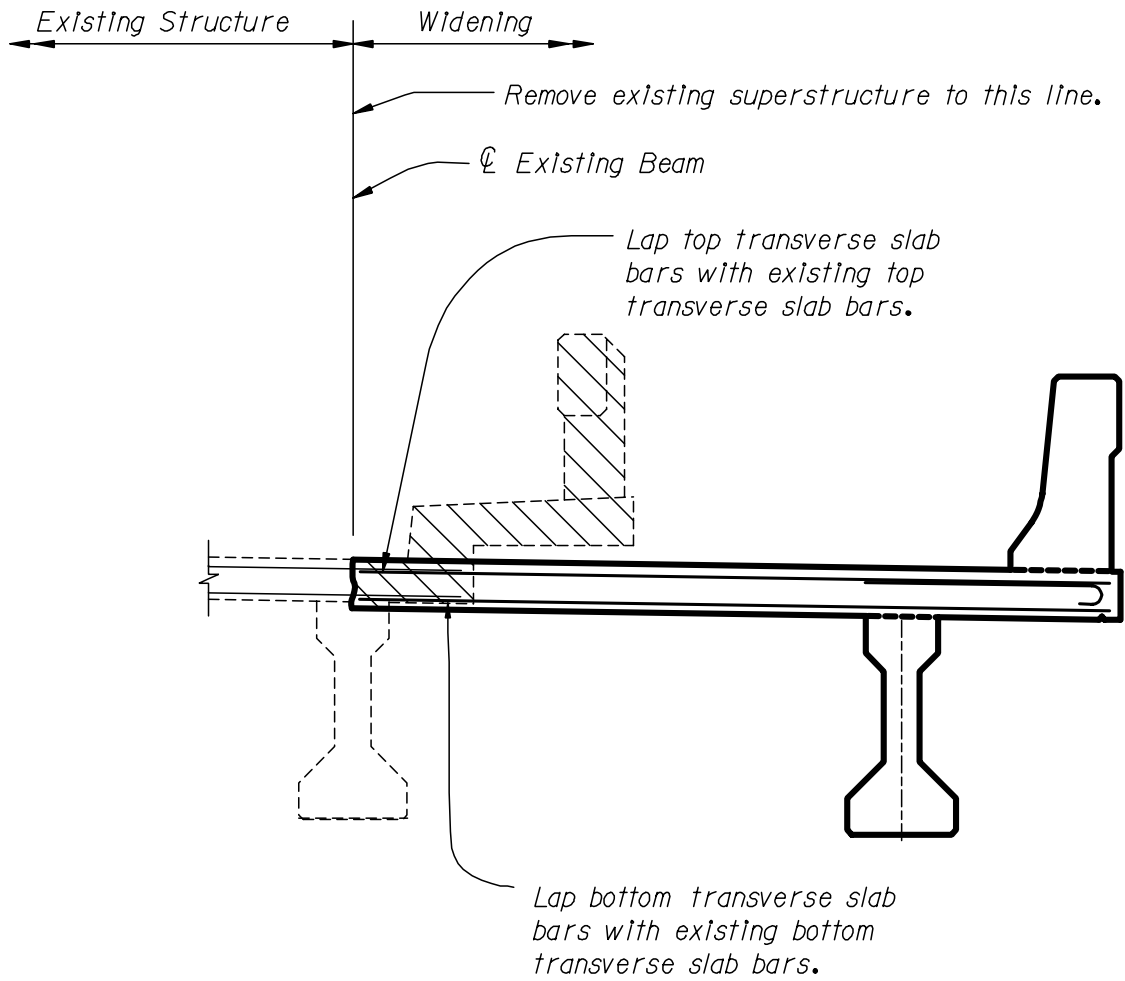
 Area to be removed

Figure 9-2
Widening Detail for
Monolithic Beam and Slab Superstructure



See Notes 1, 2 & 3 In Figure 16-1.


 Area to be removed

Figure 9-3
Widening Detail for
AASHTO Beam Superstructure

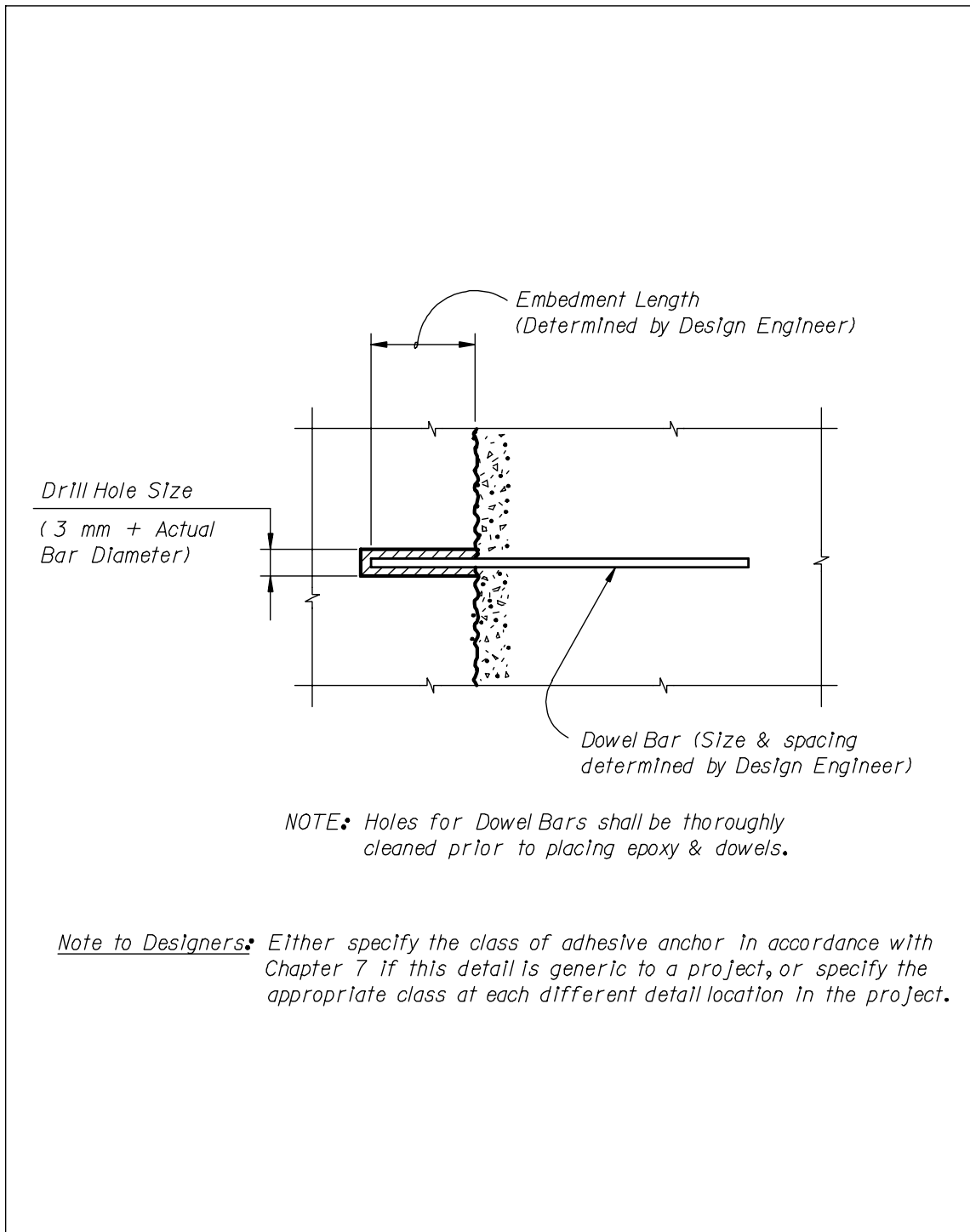


Figure 9-4
Widening Detail showing Dowel Installation

CHAPTER 10

MOVABLE BRIDGE REQUIREMENTS

10.1 General	10-1
10.1.1 Applicability.....	10-1
10.1.2 Redundancy	10-2
10.1.3 Trunnion Support Systems	10-2
10.1.4 Vertical Clearance Requirements	10-3
10.1.5 Tender Parking.....	10-3
10.1.6 Definitions and Terms.....	10-3
10.1.7 Movable Bridge Terminology	10-3
10.2 Construction Specifications and Design Calculations.....	10-4
10.3 Special Strength Load Combination.....	10-4
10.4 Speed Control for Leaf-driving Motors.....	10-4
10.4.1 Requirements for Mechanical Drive Systems	10-4
10.4.2 Requirements for Hydraulic Drive Systems	10-4
10.5 Machinery Systems	10-5
10.5.1 Trunnions and Trunnion Bearings	10-5
10.5.2 Span Balance	10-5
10.5.3 Speed Reducers.....	10-6
10.5.4 Open Gearing.....	10-7
10.5.5 Span Locks.....	10-7
10.5.6 Brakes	10-9
10.5.7 Couplings.....	10-9
10.5.8 Clutches.....	10-9
10.5.9 Bearings (Sleeve and Anti-Friction)	10-9
10.5.10 Anchors	10-9
10.5.11 Fasteners.....	10-11
10.6 Hydraulic Systems.....	10-12
10.6.1 Hydraulic Pumps	10-13
10.6.2 Cylinders.....	10-13
10.6.3 Control Components.....	10-14
10.6.4 Hydraulic Lines.....	10-14
10.6.5 Miscellaneous Hydraulic Components.....	10-14
10.7 Electrical.....	10-15
10.7.1 Electrical Service	10-15
10.7.2 Alternating Current Motors.....	10-15
10.7.3 Engine Generators	10-16
10.7.4 Automatic Transfer Switch.....	10-16
10.7.5 Electrical Control	10-16

10.7.6 Motor Controls	10-17
10.7.7 Programmable Logic Controllers	10-17
10.7.8 Limit and Seating Switches.....	10-18
10.7.9 Safety Interlocking	10-24
10.7.10 Instruments.....	10-25
10.7.11 Control Console.....	10-25
10.7.12 Electrical Connections between Fixed and Moving Parts	10-25
10.7.13 Electrical Connections across the Navigable Channel	10-26
10.7.14 Service Lights.....	10-26
10.7.15 Navigation Lights	10-26
10.7.16 Grounding and Lightning Protection	10-26
10.7.17 Movable Bridge Traffic Signals and Safety Gates	10-27
10.7.18 Communications Systems	10-27
10.7.19 Functional Checkout.....	10-28
10.8 Control House Architectural Design	10-31
10.8.1 General.....	10-31
10.8.2 Site Water Lines	10-32
10.8.3 Site Sanitary Sewage System	10-32
10.8.4 Stairs, Steps and Ladders	10-32
10.8.5 Handrails and Railing.....	10-33
10.8.6 Framing and Sheathing	10-33
10.8.7 Desktop and Cabinet.....	10-33
10.8.8 Insulation	10-33
10.8.9 Fire-Stopping.....	10-34
10.8.10 Roof.....	10-34
10.8.11 Doors And Hardware	10-34
10.8.12 Windows.....	10-34
10.8.13 Veneer Plaster (Interior Walls).....	10-35
10.8.14 Gypsum Board (Interior Walls)	10-35
10.8.15 Floor Tile.....	10-35
10.8.16 Epoxy Flooring.....	10-35
10.8.17 Painting.....	10-35
10.8.18 Wall Louvers.....	10-35
10.8.19 Toilet and Bath Accessories	10-36
10.8.20 Equipment and Appliances	10-36
10.8.21 Furnishings	10-36
10.8.22 Pipe and Fittings.....	10-36
10.8.23 Plumbing Fixtures.....	10-36
10.8.24 Heating, Ventilating and Air Conditioning	10-36
10.8.25 Interior Luminaires.....	10-37
10.8.26 Video Equipment	10-37
10.9 Maintainability.....	10-37
10.9.1 General.....	10-37
10.9.2 Trunnion Bearings	10-37

10.9.3 Span-Jacking of New Bridges.....	10-37
10.9.4 Trunnion Alignment Features	10-38
10.9.5 Lock Systems	10-38
10.9.6 Machinery Drive Systems	10-39
10.9.7 Lubrication Provisions.....	10-39
10.9.8 Drive System Bushings.....	10-39
10.9.9 Local Switching.....	10-39
10.9.10 Service Accessibility	10-40
10.9.11 Service Lighting and Receptacles	10-40
10.9.12 Communications	10-40
10.9.13 Wiring Diagrams	10-40
10.9.14 Diagnostic Reference Guide for Maintenance	10-40
10.9.15 Navigation Lights	10-40
10.9.16 Working Conditions for Improved Maintainability.....	10-41
10.9.17 Weatherproofing	10-41

Chapter 10

MOVABLE BRIDGE REQUIREMENTS

10.1 General

This chapter contains information and criteria related to the design of movable bridge projects. It sets forth the basic Florida Department of Transportation (FDOT) design criteria that are exceptions or additions to those specified in the AASHTO *LRFD-Movable Highway Bridge Design Specifications*, First Edition, 2000 and any interim releases thereafter and herein referred to as *LRFD-MHB Specifications*, except English (use soft conversions to convert to English units). Where applicable other sections of this SDG also apply to the design of movable bridges.

10.1.1 Applicability

- A. The design criteria of this chapter are applicable for new bridges and the electrical/machinery design for rehabilitation of existing bridges. The requirements for structural rehabilitation will be determined on a bridge-by-bridge basis, based on evaluations during the BDR phase and approval by the Structures Design Office (SDO). Projects for which the criteria are applicable shall result in designs that:
- 1.) Preferably, provide new bascule bridges with two leafs per span configuration.

Commentary:

Single leaf bascules are discouraged, but may be considered for small channel openings where navigational and vehicular traffic is low. Assure reliable operation of movable bridges through redundancy features in drive and control systems, for both new and rehabilitation projects.

- B. Specific practices required by the Department in considering the applicability and requirements of bascule bridges:
- 1.) Examine and evaluate alternative bridge configurations offering favorable life cycle cost benefits.
- C. Consider improved design or operational characteristics providing advantage to the traveling public.
- 1.) Incorporate design and operational features which are constructible and which can be operated and maintained by the Department's forces.
 - 2.) Maintain consistency of configuration, when feasible, for movable bridges throughout the State.

10.1.2 Redundancy

Include recommendations for redundant drives and control systems in the BDR/30% plans submittal. For bridges having low rates of anticipated bridge openings or average daily traffic, application of redundant drive and control systems may not be cost effective. In this event, submit such information in the BDR and provide appropriate recommendations for omission of redundant systems.

Commentary:

Redundant drive configurations include:

- A. *Hydraulic drive systems operated by multiple hydraulic cylinders. In these systems, a pump drive motor or its hydraulic pump can be isolated and bridge operations can continue while repairs are accomplished.*
- B. *Gear driven systems that may be driven through one gear train into a single rack of a two-rack bridge.*

Provide two rack drives actuated by dual motor drive systems either of which will be capable of operating the bridge leaf. Normal operation of this configuration will involve operation of one drive/motor system. Provide an alternator to alternate drives/motors for each opening.

Design hydraulic cylinder actuated movable bridges to function in spite of loss of a main pump motor, hydraulic pump, or drive cylinder.

Design the system to include all necessary valving, piping, etc., to permit safe and expeditious changeover to the redundant mode. Specify a permanent plaque displayed in a convenient location on the machinery platform describing actions (valve closures and openings, electrical device deactivation, etc.) necessary for operation in the redundant mode.

When operating with either a single rack drive functioning or unsymmetrical hydraulic cylinder forces applied to the leaf, design the structure for Movable Bridge - Specific load combinations, strength BV-I and BV-II. Reduce the load factors for strength BV-I to 1.35 [Table 2.4.2.3-1].

10.1.3 Trunnion Support Systems

Provide trunnion support systems as follows:

- A. Simple, rotating trunnion configuration, with bearing supports, on towers, on both inboard and outboard sides of the trunnion girder.
- B. Sleeve bearings should be considered for only small bascule bridges and must be approved by the SDO at the BDR phase. Design constraints and cost justification must be provided.
- C. Design trunnion supports on each side of the main girder with similar stiffness vertically and horizontally.

10.1.4 Vertical Clearance Requirements

Design bascule leaf for unlimited vertical clearance between the fenders in the full open position. Any encroachment of the leaf into the horizontal clearance zone must receive favorable Coast Guard review prior to approval of the BDR.

10.1.5 Tender Parking

Provide two parking spaces for bridge tenders in all new bridge designs, preferably on the tender house side of the bridge.

10.1.6 Definitions and Terms

- A. Auxiliary Drive: Hand crank, gearmotor with disconnect-type coupling, portable hydraulic pump, drill, etc., that can be used to lower leaf(s) for vehicular traffic or raise the leaf(s) for marine traffic if the main drives fail.
- B. Creep Speed: Not more than 10% of full speed, final creep speed will be determined by bridge conditions.
- C. Emergency Stop: Leaf(s) stop within (3 ±1) seconds of depressing the EMERGENCY STOP push-button or in the event of a power failure. All other rotating machinery stops instantly.
- D. End-of-Travel Function: Contact connection where a closed contact allows operation and an open contact stops operation (i.e., leaf limit switches).
- E. Fully Seated: Leaf(s) is(are) at rest on live load shoes, interlock OK to drive span locks.
- F. Fully Open: Tip of leaf clears fender of a vertical line as defined by Coast Guard.
- G. Hard Open: Leaf opening such that counterweight bumper blocks come in contact with pier bumper blocks.
- H. Indicating Function: Contact connection where a closed contact indicates operation and an open contact indicates no operation (i.e., indicating lights).
- I. Interlocks or Safety Interlocks: Ensure events occur in sequence and no out-of-sequence events can occur.
- J. Mid-Cycle Stop: Leaf(s) stop following normal ramping after depressing the STOP push-button when in the middle of an opening or closing cycle.
- K. Near Closed: A point 8 to 10 degrees (approximately, final position to be field determined) before FULL CLOSED, drive to creep speed.
- L. Near Open: A point 8 to 10 degrees (approximately, final position to be field determined) before FULL OPEN, drive to creep speed.
- M. Ramp: Rate of acceleration or deceleration of leaf drive.

10.1.7 Movable Bridge Terminology

See Figure 10-2 for standard bridge terminology.

10.2 Construction Specifications and Design Calculations

Use the FDOT's Standard Specifications for Road and Bridge Construction and the "Technical Special Provisions" issued by the Mechanical/Electrical Section of the SDO. Additional specifications may be required.

Provide detailed calculations to justify all equipment and systems proposed. Submit calculations, for review, for all aspects of the systems and components. Substantiate recommended equipment and sizes. Submit calculations in an 8-1/2x11 inch binder.

10.3 Special Strength Load Combination [2.4.2.2]

Evaluate the following owner-specified special design vehicle for Strength II Load Combination of the LRFD Specification as follows: Apply the full HL-93 loading to the design of the cantilever girders for bascule bridges, assuming the span locks are not engaged to transmit live load to the opposite leaf.

10.4 Speed Control for Leaf-driving Motors [5.4]

Design a drive system that is capable of operating the leaf in no more than 70 seconds (See Figure 10-1) under normal conditions.

Clearly indicate on the plans the following required torques:

- A. T_A - the maximum torque required to accelerate the leaf to meet the required time of operation.
- B. T_S - the maximum torque required for starting the leaf.
- C. T_{CV} - the maximum torque required for constant velocity.

10.4.1 Requirements for Mechanical Drive Systems

Specify a drive capable of developing the torques stated above and operating the leaf (at full speed) in the 70 seconds time limit stated above. Compute the acceleration torque for the inertia and the loading specified for the maximum constant velocity torque [5.4.2]. In addition the drive must be capable of holding the leaf (zero speed) for the required maximum starting torque [5.4.2].

10.4.2 Requirements for Hydraulic Drive Systems

Design a drive capable of developing the acceleration torque required for the inertia and the loading specified for the maximum constant velocity torque [5.4.2] and operating the leaf at full speed in the 70 seconds time limit stated above. Longer operating times are allowed for operation under abnormal conditions. Do not exceed 130 seconds under any condition.

10.5 Machinery Systems

10.5.1 Trunnions and Trunnion Bearings

A. Trunnions:

- 1.) Provide all shoulders with fillets of appropriate radius. Provide suitable provisions for expansion between shoulders and bearings.
- 2.) For keys and keyways see 6.7.8 and 6.7.10 of the AASHTO Specification.
- 3.) Do not use keyways between the trunnion and the trunnion hub/collar.
- 4.) For trunnions over 8 inch diameter, provide a hole 1/5 the trunnion diameter lengthwise through the center of the trunnion. Extend the trunnion at least 5/8 inch beyond the end of the trunnion bearings. Provide a 2-inch long counterbore concentric with the trunnion journals at each of the hollow trunnion ends.
- 5.) In addition to the shrink fit, drill dowels of appropriate size through the hub into the trunnion after the trunnion is in place.
- 6.) When anti-friction roller bearings are used, the surface finish must be compatible with the bearing manufacturer's requirements. Deflections of the trunnion with load must be calculated and compared with these clearances to insure the journals do not bottom out and bind, particularly on rehabilitations and Hopkins frame bridges. Clearances may have to be adjusted.
- 7.) For rehabilitation of existing Hopkins trunnions, verify that trunnion eccentrics have capability for adjustment to accommodate required changes in trunnion alignment. If not, provide repair recommendations.
- 8.) If Hopkins trunnions are used, design three-piece eccentric assembly.

B. Hubs and Rings:

- 1.) Provide hubs and Rings with a mechanical shrink fit.
- 2.) See Figure 10-3, for minimum requirements.

10.5.2 Span Balance [1.5]

A. New Construction:

- 1.) Design new bascule bridges such that the center of gravity may be adjusted vertically and horizontally.
- 2.) Design mechanical drive system bridges such that the center of gravity is forward (leaf heavy) of the trunnion or located at an angle (α) 30° to 50° above a horizontal line passing through the center of trunnion with the leaf in the down position. This will result in the leaf being tail (counterweight) heavy in the fully open position and leaf heavy in the fully closed position.
- 3.) Design hydraulic drive systems bridges such that the center of gravity is forward (leaf heavy) of the trunnion throughout the operating (opening) angle.
- 4.) Design both single and double leaf bascule for a leaf heavy out of balance condition which will produce an equivalent leaf reaction of 2 kips

minimum) when the leaf is down. Design the live load shoe to resist this equivalent leaf reaction.

5.) Rehabilitation Projects:

Apply the above provisions for bridge rehabilitations in which the leaf balance must be adjusted. Include detailed leaf balance adjustment plans, including the location and weight of any ballast to be furnished and installed to achieve an acceptable balance condition.

6.) Design Unbalance:

For new and rehabilitated bridges, state the design unbalance in the plans using "W", "L" and " α ".

Where: α = angle of inclination of the center of gravity above a horizontal line through the trunnion when the leaf is closed.

W = total weight of the leaf.

L = distance from the trunnion axis to the leaf center of gravity.

10.5.3 Speed Reducers

Specify and detail speed reducers to meet the requirements of the latest edition of ANSI/AGMA 6010 Standard for Spur, Helical, Herringbone, and Bevel Enclosed Drives. Specify and detail gearing to conform to AGMA Quality No. 8 or higher using following factors:

- A. Service Factor of 1.0 or higher indicating "Actual Input" and "Output Torque" requirements.
- B. Cm and Km = per the current AGMA 6010 Standard.
- C. Ca and Ka = 1.0
- D. Ci and Ki = 1.0
- E. Cr and Kr = 1.0

A reverse bending factor of 0.8 is required in the strength rating (not required for vertical lift drives).

Allowable contact stress numbers, "Sac," shall conform to the current AGMA 6010 Standard for through hardened and for casehardened gears.

Allowable bending stress numbers, "Sat," shall conform to the current AGMA 6010 Standard for through-hardened and for case-hardened gears.

Commentary:

These allowable contact and bending stress numbers are for AGMA Grade 1 materials. Grade 2 allowables are permitted only with an approved verification procedure and a sample inspection as required per Mechanical/Electrical Section of the SDO instructions.

All speed reducers on a bridge should be models from one manufacturer unless otherwise approved by the Mechanical/Electrical Section of the SDO. Include gear ratios, dimensions, construction details, and AGMA ratings on the Drawings.

Provide a reducer capable of withstanding an overload torque of 300% of full-load motor torque. This torque shall be greater than the maximum holding torque for the span under the maximum brake-loading conditions.

Specify gears with spur, helical, or herringbone teeth. Bearings shall be anti-friction type and shall have a L-10 life of 40,000 hours as defined in AASHTO, except where rehabilitation of existing boxes requires sleeve-type bearings. Housings shall be welded steel plate or steel castings. The inside of the housings shall be sandblast-cleaned prior to assembly, completely flushed, and be protected from rusting. Specify exact ratios.

Specify units with means for filling and completely draining the case, that have an inspection cover to permit viewing of all gearing (except the differential gears, if impractical), and both a dipstick and sight glass to show the oil level. Sight glasses shall be of rugged construction and protected against breakage. Specify drains with shutoff valves to minimize spillage. Furnish each unit with a moisture trap breather of the desiccant type with color indicator to show desiccant moisture state.

Specify splash lubrication on the gears and bearings, unless otherwise required by the gear manufacturer. Do not specify pressurized lubrication systems on speed reducer boxes unless approved in writing by the Mechanical/Electrical Section of the SDO. Provide remote indication of pressurized lubrication system malfunction.

Commentary:

If a pressurized lubrication system is specified for the reducer, a redundant lubrication system shall also be specified. The redundant system shall operate at all times when the primary system is functioning.

10.5.4 Open Gearing

Limit the use of open gearing. When used, design open gearing per AGMA specifications. Design and specify guards for high-speed gearing.

10.5.5 Span Locks [6.8.1.5.1]

A. General:

- 1.) Attach span locks to the main bascule girders, if possible, giving consideration to maintenance access.
- 2.) Specify a 4 x 6 inch minimum rectangular lock bars, unless analysis shows need for a larger size. Submit design calculations and the selection criteria for review and approval.
- 3.) Install the bar in the guides and receivers with bronze wear fittings top and bottom, properly guided and shimmed. Provide lubrication at the sliding surfaces. Both the front and rear guides are to have a "U" shaped wear-plate that restrains the bar sideways as well as vertically. The

receiver is to have a flat wear-plate to give freedom horizontally to easily insert the lock-bar in the opposite span. The total vertical clearance between the bar and the wear-shoes shall be 0.010 to 0.025 inches. Specify the total horizontal clearance on the guides to be $1/16 \pm 1/32$ inches.

- 4.) Provide adequate stiffening behind the web for support of guides and receivers.
 - 5.) Mount guides and receivers with $1/2$ inch minimum shims for adjusting. Slot wear-plate shims for insertion and removal.
 - 6.) Provide lubrication fittings at that are convenient for routine maintenance.
 - 7.) Mount actuation elements on the lock to activate limit switches to control each end of the stroke. Incorporate a means to adjust the limit switch actuation. Taper the receiver end of the lock-bar to facilitate insertion into the receivers of the opposite span.
 - 8.) Connection of the lock-bar to the hydraulic cylinder shall allow for the continual vibration due to traffic on the leaf. This may be accomplished by providing self-aligning rod-end couplers or cylinders with elongated pinholes on male clevises.
 - 9.) The hydraulic fluid system is to be a reversing motor-driven pump and piping system connected to the cylinder. Specify relief valves to prevent over pressure should the lock-bar jam. Specify pilot operated check valves in the lines to the cylinder to lock the cylinder piston in place when pressure is removed. Provide a hydraulic hand pump and quick-disconnect fittings on the piping to allow pulling or driving of the lock-bar on loss of power. Specify the time of driving or pulling the bar at 5 to 9 seconds.
 - 10.) Design and specify access platforms with access hatches located out of the travel lanes.
- B. Lock Design Standards:
- 1.) The empirical formula, Equation 10-1 listed below, can be used to determine double leaf bascule lock loads with acceptable results; however, more exact elastic analysis can be used if the solution thus obtained is not accurate enough.

a. Where:

$$S = \frac{P}{4} \left(\frac{A}{L} \right)^2 \left(3 - \frac{A}{L} \right) \quad [\text{Eq. 10-1}]$$

S = Shear in lock in kips for a given load on the span, "P."

A = Distance in feet from the support to the given load, "P."

L = Distance in feet from the support to the center lock.

b. See Figure 10-4 for diagrammatic sketch of "S," "A," and "L."

c. Double the Dynamic Load Allowance (IM) to 66% for lock design.

- 2.) Use a Dynamic Load Allowance of 100% for Lock Design on a double-leaf bascule span expected to carry traffic with ADTT (Average Daily Truck Traffic) > 2500.

10.5.6 Brakes

Use thrustor type brakes. Provide a machinery brake and a motor brake. Submit calculations justifying the brake torque requirements. Show brake torque requirements on plans. Carefully consider machinery layout when locating brakes. Avoid layouts that require removal of multiple pieces of equipment for maintenance of individual components.

10.5.7 Couplings

Submit calculations and manufacturer's literature for coupling sizes specified. Provide coupling schedule on plans.

10.5.8 Clutches

Rate clutches for emergency drive engagement for the maximum emergency drive torque. The engaging mechanism shall be positive in action and shall be designed to remain engaged or disengaged while rotating at normal operating speed. Provisions shall be made so that the main operating drive is fully electrically disengaged when the clutch is engaged.

10.5.9 Bearings (Sleeve and Anti-Friction)

- A. Sleeve Bearings shall be grease-lubricated bronze bushings 8 inches in diameter or less and shall have grease grooves cut in a spiral pattern for the full length of the bearings.
- B. Anti-Friction Bearing pillow block and flange-mounted roller bearings shall be adaptor mounting, self-aligning, expansion and/or non-expansion types. Housings shall be cast steel and capable of withstanding the design radial load in any direction, including uplift. Housing shall be furnished by the same supplier as the bearing. Specify bases cast without mounting holes. Mounting holes shall be "drilled-to-fit" at the site at the time of assembly with the supporting steel work. Seals shall retain the lubricant and exclude water and debris. Cap bolts on pillow blocks shall be high-strength steel. The cap and cap bolts shall be capable of resisting the rated bearing load as an uplift force. Where clearance or slotted holes are used, the clearance space shall be filled with a non-shrink grout after alignment to insure satisfactory side load performance.

10.5.10 Anchors

For machinery supports anchored to concrete, design for the maximum forces generated in starting or stopping the leaf plus 100% impact. Design hydraulic cylinder supports for 150% of the relief valve setting or the maximum operating

loads plus 100% impact, whichever is greater. Detail machinery supports anchored to the concrete by preloaded anchors such that no tension occurs at the interface of the steel and concrete under any load conditions.

Mechanical devices used as anchors shall be capable of developing the strength of reinforcement without damage to the concrete. All concrete anchors shall be undercut bearing, expansion-type anchors. The anchorage shall be developed by expanding an anchor sleeve into a conical undercut so as to eliminate direct lateral stresses found in the setting of conventional anchors. The expansion anchors shall meet the ductile failure criteria of American Concrete Institute (ACI) Standard 349, Appendix B. Design an expansion anchoring system that can develop the tensile capacity of the bolt without slip or concrete failure. The bolt shall consistently develop the minimum specified strength of the bolting material to provide a favorable plastic stretch over the length of the bolt prior to causing high-energy failure. Require pullout testing of anchors deemed to be critical to the safe operation of the bridge machinery system. Pullout verification tests shall be performed at not less than 200% of maximum operational force levels.

Design the conical undercut and the nut to transfer the bolt tension load into direct bearing stress between the conical nut and expansion sleeve and the expansion sleeve and conical concrete surface. The depth and diameter of the embedment shall be sufficient to assure steel failure, with concrete cone shear strength greater than the strength of the bolting material.

A. Anchor Bolt Design:

- 1.) Design anchor bolts subject to tension at 200% of the allowable basic stress and shown, by tests, to be capable of developing the strength of the bolt material without damage to concrete.
- 2.) The design strength of embedment is based on the following maximum steel stresses:
 - a.) Tension, $f_{s_{max}} = 0.9f_y$
 - b.) Compression and Bending, $f_{s_{max}} = 0.9f_y$
 - c.) Shear, $f_{s_{max}} = 0.55f_y$ (shear-friction provisions of ACI, Section 11.7, shall apply)
 - d.) The permissible design strength for the expansion anchor steel is reduced to 90% of the values for embedment steel.
 - e.) For bolts and studs, the area of steel required for tension and shear based on the embedment criteria shall be considered additive.
 - f.) Calculate the design pullout strength of concrete, P_c , in pounds, as:

$$P_c = 3.96\phi\sqrt{f'_c}A \quad [\text{Eq. 10-2}]$$

g.) Where:

ϕ = Capacity reduction factor, 0.65

A = Projected effective area of the failure cone, in²
 f'_c = Specified compressive strength of concrete, psi

Steel strength controls when the design pullout strength of the concrete, P_c , exceeds the minimum ultimate tensile strength of the bolt material. The effective stress area is defined by the projected area of the stress cone radiating toward the concrete surface from the innermost expansion contact surface between the expansion anchor and the drilled hole. The effective area shall be limited by overlapping stress cones, by the intersection of the cones with concrete surfaces, by the bearing area of anchor heads, and by the overall thickness of the concrete. The design pullout strength of concrete shall be equal to or greater than the minimum specified tensile strength (or average tensile strength if the minimum is not defined) for the bolting material.

10.5.11 Fasteners

- A. All bolts for connecting machinery parts to each other and to supporting members shall be as shown on the plans or specified otherwise and conform to one of the following types:
 - 1.) High-strength bolts.
 - 2.) Turned bolts, turned cap screws, and turned studs.
 - 3.) High-strength turned bolts, turned cap screws, and turned studs.
- B. High strength bolts shall meet the requirements of ASTM A325. High strength bolts shall have regular hexagonal heads. Holes for high-strength bolts shall be no more than 0.010 inch [0.25 mm] larger than the actual diameter of individual bolts and drilling holes to match the tolerances for each bolt. The clearance shall be checked with 0.011-inch [0.28 mm] wire. The hole shall be considered too large if the wire can be inserted in the hole together with the bolt. Install, wherever possible, high-strength bolts connecting machinery components to structural elements or to other machinery components comprised of different thicknesses such that the bolt head is adjacent to the connected element with the least thickness.
- C. Turned bolts, turned cap screws, and turned studs shall have turned shanks and cut threads. Turned bolts shall have semi-finished, washer-faced, hexagonal heads and nuts. All finished shanks of turned fasteners shall be 0.06 inches [1.6 mm] larger in diameter than the diameter of the thread, which shall determine the head and nut dimensions.
- D. Drill or ream-assemble all elements connected by bolts to assure accurate alignment of the hole and accurate clearance over the entire length of the bolt within the specified limits.
- E. Provide bolt heads, nuts, castle nuts, and hexagonal head cap screws dimensioned in accordance with ANSI Standard B18.2.3, Hexagon Bolts and ANSI Standard B18.2.4.6 Nuts.
- F. Provide heavy series heads and nuts for turned bolts, screws, and studs.
- G. ASTM A325 bolts shall have regular hex heads.

- H. The dimensions of socket-head cap screws, socket flathead cap screws, and socket-set screws shall conform to ANSI Standard B18.3.1. Provide screws made of heat-treated alloy steel, cadmium-plated, and furnished with a self-locking nylon pellet embedded in the threaded section. Unless otherwise called for on the plans or specified herein, provide setscrews of the headless safety type with threads of coarse thread series and cup points. Do not use setscrews to transmit torsion nor as the fastening or stop for any equipment that contributes to the stability or operation of the bridge.
- I. Threads for cap screws shall conform to the coarse thread series and shall have a Class 6g tolerance. For bolts and nuts, the bolt shall conform to the coarse thread series and shall have a Class 6g tolerance. The nut shall have a Class 6H in accordance with the ANSI Standard B18.2.6 Screw Threads [ANSI Standard B18.2.6M Metric Screw Threads].
- J. Spotface bolt holes through unfinished surfaces the head and nut, square with the axis of the hole.
- K. Unless otherwise called for, sub drill all bolt holes in machinery parts or connecting these parts to the supporting steel work at least 0.03 in [0.80 mm] smaller in diameter than the bolt diameter and ream assemble for the proper fit at assembly or at erection with the steel work after the parts are correctly assembled and aligned.
- L. Ream or drill holes in shims and fills for machinery parts to the same tolerances as the connected parts at final assembly.
- M. Furnish positive locks of an approved type for all nuts except those on ASTM A325 Bolts. If double nuts are used, they shall be used for all connections requiring occasional opening or adjustment. Provide lock washers made of tempered steel if used for securing.
- N. Install high-Strength bolts with a hardened plain washer meeting ASTM F436 at each end.
- O. Wherever possible, insert high strength bolts connecting machinery parts to structural parts or other machinery parts through the thinner element into the thicker element.
- P. Provide cotters that conform to SAE standard dimensions and are made of half-round stainless steel wire, ASTM A276, Type 316.
- Q. Anchor bolts connecting machinery parts to masonry shall be ASTM A325 material, hot-dipped galvanized per ASTM A153 unless otherwise approved by the Engineer. Show bolts on the masonry drawings. Anchor bolts for new construction shall be cast in place and not drilled. The material and loading requirements shall be as shown on the plans. The filler material may be a non-shrink grout, Babbitt metal, or zinc.
- R. All fasteners shall be of United States manufacture and shall be clearly marked with the manufacturer's designation.

10.6 Hydraulic Systems

Perform complete analysis and design of hydraulic systems utilized for leaf drive and control, including evaluation of pressure drops throughout the circuit for all loading conditions. Calculate pressure drops for all components of their circuits

including valves, filters, hoses, piping, manifolds, flow meters, fittings, etc. Power requirements shall be determined based upon pressure drops at the required flows and conservative pump efficiency values.

Design the system so that normal operating pressure is limited to 2500 psi. During short periods of time in emergency operations, pressure can increase to 3000 psi, maximum. Correlate hydraulic system strength calculations with the structure loading analysis.

Design the power unit and driving units for redundant operation so that the bridge leaf (s) may be operated at a reduced speed with one power unit or one driving unit out of service. Design the power unit to permit its installation and removal in the bridge without removing any major components. Design the power unit to allow the removal of each pump, motor, filter, and main directional valves without prior removal of any other main components. Operation of the redundant components shall be possible with the failed component removed from the system.

Design all span operating hydraulic components within the pier enclosure to prevent any escape of oil to the environment. Specify a drip pan extending beyond the outermost components of the power unit and flange connections to prevent spilling oil leakage on the machinery room floor. Specify sump pumps and other clean up devices suitable for safe collecting and removing of any spilled oil.

Design the hydraulic system to limit the normal operating oil temperature to 170° F during the most adverse ambient temperature conditions anticipated.

10.6.1 Hydraulic Pumps

Specify minimum pressure rating of pumps to be 1.5 times the maximum operating pressure. Specify pumps of the Pressure Compensated type. Variation of the pressure setting, including ± 50 cst viscosity change shall be $\pm 2.5\%$ maximum. Overall minimum efficiency shall be 0.86. Boost pumps of any power, and auxiliary or secondary pumps less than 5 hp [3.7 kW], need not be pressure compensated.

10.6.2 Cylinders

Design the hydraulic cylinder drive systems to prevent sudden closure of valving, and subsequent sudden locking of cylinders, in the event of a power failure or emergency stop. Specify cylinders designed according to ASME Pressure Vessel Code, Section 8. Specify cylinders with a minimum theoretical static failure pressure rating of 11 (10,000 psi) as defined by NFPA Standards; and designed to operate on biodegradable-based hydraulic fluid unless otherwise approved by the Mechanical/Electrical Section of the SDO.

Specify stainless steel rods with chrome plated finish 0.005 to 0.012 inches thick per QQ-C-320C, Class 2a or others as approved by the Mechanical/Electrical Section of the SDO.

The main lift cylinders shall be provided with pilot operating counterbalance or other load protection valves. They shall be manifolded directly to ports of cylinder barrel and hold load in position if supply hoses leak or fail.

10.6.3 Control Components

- A. Flow Control Valves: Use of non-compensated flow control valves shall be limited to applications where feed rates are not critical and where load induced pressure is relatively constant. Where load induced pressure is variable, specify pressure compensated flow control valves.
- B. Directional Valves: Vertical mounting of solenoid Directional Valves where solenoids are hanging from the valve is to be avoided; horizontal mounting is recommended. Solenoid operated directional control valves provided with a drain connection to reduce response times must always be mounted horizontally.
- C. Relief Valves: Specify relief valves to protect all high-pressure lines.
- D. Check Valves: Specify poppet type check valves on main circuits or located to hold loads.

10.6.4 Hydraulic Lines

- A. Piping: Specify stainless steel piping material conforming to ASTM A312 GRTP 304L or TP316L. For pipe, tubing, and fittings, the minimum ratio of burst pressure rating divided by design pressure in the line shall be 4. Provide calculations indicating that the velocity of fluid is at or below 4.3 ft/s in suction lines, 6.5 ft/s in return lines, and 21.5 ft/s in pressure lines.
- B. Manifolds: Specify the use of manifolded components.
- C. Flexible Hose: Specify flexible hose only in cases where motion or vibration makes the use of rigid piping undesirable. Insure that the minimum ratio of burst pressure rating divided by design pressure in the line is 4.
- D. Seals: Specify all seals, including the ones installed inside hydraulic components, to be fully compatible with the hydraulic fluid being used and adequate for the maximum pressure and temperature operating at that point.

10.6.5 Miscellaneous Hydraulic Components

- A. Receivers (Reservoirs): Tanks in open-loop systems shall have a capacity greater than the maximum flow of three minutes operation of all pumps connected to the tank plus 10%, and/or the capacity of the total oil volume in the system. Tanks must have an adequate heat dissipation capacity to prevent temperatures above 170° F. Tanks in closed-loop hydrostatic systems shall circulate, filter, and cool enough oil to maintain a maximum oil temperature of 170° F. Specify suction port strainers with oil shut-off valves.

Specify tanks with easy drainage and provided with adequate openings that allow easy cleaning of all surfaces from the inside. Specify sumps with magnetic traps to capture metal particles. Specify Stainless Steel ASTM A316L tank material. Specify the use of air bladders to avoid water contamination from air moisture condensation due to the breathing effect of the tank.

- B. Filtration: Design and specify a filtering system so that filters can be easily serviced and filter elements can be changed without disturbing the system. Do not specify valves that can be left accidentally closed. Strainers are allowed in the suction lines between the tank and the main pumps. Filters can be used if the system is designed to assure that there will be enough static head under all operating conditions at the pumps' inlets. Require absolute pressure (vacuum) sensors to stop the pumps if adequate suction head is not available at the pumps' inlets, and specify pressure line filters capable of at least 10-micron filtration between the pump outlet and the rest of the hydraulic system. The system shall have filters with relief-check, bypass valve and visual clogged filter indicators. Specify a remote sensing pressure switch to indicate a clogged filter. The relief-check, bypass-valve lines must also be filtered.
- C. Hydraulic Fluids: Insure that the manufacturers of the major hydraulic components used in the bridge approve the hydraulic fluid specified for use.

10.7 Electrical [AASHTO 8]

10.7.1 Electrical Service [AASHTO 8.1]

Wherever possible, design bridge electrical service for 277/480 V, three-phase, "wye." Voltage drop from point of service to furthest load shall not exceed 5%. Do not apply a diversity factor when calculating loads.

10.7.2 Alternating Current Motors [AASHTO 8.5]

Size and select motors per AASHTO requirements. On hydraulic systems provide 25% spare motor capacity. Specify motors that comply with the following requirements:

- A. Design Criteria For Start-Ups: 12 per hour, 2 per ten-minute period.
- B. Power Output, Locked Rotor Torque, Breakdown or Pullout Torque: NEMA Design B Characteristics.
- C. Testing Procedure: ANSI/IEEE 112, Test Method B. Load test motors to determine freedom from electrical or mechanical defects and compliance with performance data.
- D. Motor Frames: NEMA Standard T-frames of steel or cast iron (no aluminum frames allowed) with end brackets of cast iron with steel inserts. Motors 10 Hp [7.5 kW] and larger shall be TEFC.

- E. Thermistor System (Motor Sizes 25 Hp [19 kW] and Larger): Three PTC thermistors embedded in motor windings and epoxy encapsulated solid-state control relay for wiring into motor starter.
- F. Bearings: Grease-lubricated, anti-friction ball bearings with housings equipped with plugged provision for relubrication, rated for minimum AFBMA 9, L-10 life of 20,000 hours. Calculate bearing load with NEMA minimum V-belt pulley with belt centerline at end of NEMA standard shaft extension. Stamp bearing sizes on nameplate.
- G. Nominal Efficiency: Meet or exceed values in ANSI Schedules at full load and rated voltage when tested in accordance with ANSI/IEEE 112.
- H. Nominal Power Factor: Meet or exceed values in ANSI Schedules at full load and rated voltage when tested in accordance with ANSI/IEEE 112.
- I. Insulation System: NEMA Class F or better.
- J. Service Factor: 1.15 (except when calculating motor size, use 1.0).

10.7.3 Engine Generators [AASHTO 8.3.9]

Design per the requirements of the latest edition of NFPA 110. Size generators so that one side of the channel (one side of the bridge) can be opened at a time concurrent with traffic lights, navigation lights, tender house air conditioners, and house lights.

Specify only diesel-fueled generators. Provide fuel tank sized to hold enough fuel to run the generator, at 100% load, for 12 hours (minimum 50 gallons). Specify day tank with a minimum 10-gallon capacity. Do not use the day tank capacity as part of the main tank capacity. Submit calculations justifying generator size recommended.

10.7.4 Automatic Transfer Switch [AASHTO 8.3.8]

Design switch in conformance with the requirements of the latest edition of NFPA 110.

Specify Automatic Transfer Switch with engine generator. Specify an Automatic Transfer Switch that is fully rated to protect all types of loads, inductive and resistive, from loss of continuity of power, without de-rating, either open or enclosed.

Specify withstand, closing, and interrupting ratings sufficient for voltage of the system and the available short circuit at the point of application on the drawings. Provide short circuit calculations to justify ATS proposed.

10.7.5 Electrical Control [AASHTO 8.4]

Design an integrated control system. Develop a control interface that matches the operating needs and skill levels of the bridge tenders and maintenance personnel that will be using the system. Design a system configuration, select

control devices, and program the Programmable Logic Controller (PLC) to produce the desired interface that will comply with the "Operation Sequence" furnished by the Mechanical/Electrical Section of the SDO.

Design the bridge control system to be powered through an uninterruptible power supply.

EMERGENCY-STOP (E-STOP) stops **all** machinery in the quickest possible time but in no less than 3 seconds main drives only. In an emergency, hit this button to stop machinery and prevent damage or injury. Specify a button that is reset by twisting clockwise (or counterclockwise) to release to normal up position.

At a minimum, provide alarms for the following events:

- A. All bridge control failures.
- B. All generator/Automatic Transfer Switch failures.
- C. All traffic signal failures.
- D. All navigation light failures.
- E. All traffic gate failures.
- F. All span-lock failures.
- G. All brake failures (if applicable).
- H. All leaf limit switch failures.
- I. All drive failures; including motor high temperature (motors larger than 25 Hp) and all hydraulic system failures.
- J. Near and far-leaf total openings (not an alarm but part of the monitoring function).
- K. All uses of bypass functions, type and time (not an alarm but part of the monitoring function).

10.7.6 Motor Controls [AASHTO 8.6]

Specify full-size NEMA rated starters. Do not use IEC starters unless space constraints require their use, and then, only by obtaining prior approval from the Mechanical/Electrical Section of the SDO.

Do not include panelboards and transformers in the Motor Control Center (MCC) unless space constraints require it, and then, only by obtaining prior approval from the Mechanical/Electrical Section of the SDO.

10.7.7 Programmable Logic Controllers [AASHTO 8.4.2.3]

Refer to the "Technical Special Provisions" issued by the Mechanical/Electrical Section of the SDO.

10.7.8 Limit and Seating Switches [AASHTO 8.4.4]

Label limit switches as follows:

LEAF LIMIT SWITCHES

- LS-FOFS Far Opposite bascule leaf FULLY SEATED. Normally open (NO), closes when leaf is on live load shoes.
- LS-FOFC Far Opposite bascule leaf FULLY CLOSED. Normally open (NO) held closed by leaf until drive needs to go to 0 speed (Closing Cycle).
- LS-FONCA Far Opposite bascule leaf NEAR CLOSED switch "A". Normally open (NO) held closed by leaf until drive needs to go to creep speed (Closing Cycle).
- LS-FONCB Far Opposite bascule leaf NEAR CLOSED switch "B". Normally open (NO) held closed by leaf until drive needs to go to creep speed (Closing Cycle).
- LS-FONOA Far Opposite bascule leaf NEAR OPEN switch "A". Normally open (NO) held closed by leaf until drive needs to go to creep speed (Opening Cycle).
- LS-FONOB Far Opposite bascule leaf NEAR OPEN switch "B". Normally open (NO) held closed by leaf until drive needs to go to creep speed (Opening Cycle).
- LS-FOFO Far Opposite bascule leaf FULLY OPEN. Normally open (NO) held closed by leaf until drive needs to go to 0 speed (Opening Cycle).
- LS-FAFS Far Adjacent bascule leaf FULLY SEATED. Normally open (NO), closes when leaf is on live load shoes.
- LS-FAFC Far Adjacent bascule leaf FULLY CLOSED. Normally open (NO) held closed by leaf until drive needs to go to 0 speed.
- LS-FANCA Far Adjacent bascule leaf NEAR CLOSED switch "A". Normally open (NO) held closed by leaf until drive needs to go to creep speed (Closing Cycle).
- LS-FANCB Far Adjacent bascule leaf NEAR CLOSED switch "B". Normally open (NO) held closed by leaf until drive needs to go to creep speed (Closing Cycle).
- LS-FANOA Far Adjacent bascule leaf NEAR OPEN switch "A". Normally open (NO) held closed by leaf until drive needs to go to creep speed (Opening Cycle).
- LS-FANOB Far Adjacent bascule leaf NEAR OPEN switch "B". Normally open (NO) held closed by leaf until drive needs to go to creep speed (Opening Cycle).
- LS-FAFO Far Adjacent bascule leaf FULL OPEN. Normally open (NO) held closed by leaf until drive needs to go to 0 speed (Opening Cycle).
- LS-NOFS Near Opposite bascule leaf FULLY SEATED. Normally open (NO), closes when leaf is on live load shoes.
- LS-NOFC Near Opposite bascule leaf FULLY CLOSED. Normally open (NO) held closed by leaf until drive needs to go to 0 speed.

- LS-NONCA Near Opposite bascule leaf NEAR CLOSED switch "A". Normally open (NO) held closed by leaf until drive needs to go to creep speed (Closing Cycle).
- LS-NONCB Near Opposite bascule leaf NEAR CLOSED switch "B". Normally open (NO) held closed by leaf until drive needs to go to creep speed (Closing Cycle).
- LS-NONOA Near Opposite bascule leaf NEAR OPEN switch "A". Normally open (NO) held closed by leaf until drive needs to go to creep speed (Opening Cycle).
- LS-NONOB Near Opposite bascule leaf NEAR OPEN switch "B". Normally open (NO) held closed by leaf until drive needs to go to creep speed (Opening Cycle).
- LS-NOFO Near Opposite bascule leaf FULLY OPEN. Normally open (NO) held closed by leaf until drive needs to go to 0 speed (Opening Cycle).
- LS-NAFS Near Adjacent bascule leaf FULLY SEATED. Normally open (NO), closes when leaf is on live load shoes.
- LS-NAFC Near Adjacent bascule leaf FULLY CLOSED. Normally open (NO) held closed by leaf until drive needs to go to 0 speed.
- LS-NANCA Near Adjacent bascule leaf NEAR CLOSED switch "A". Normally open (NO) held closed by leaf until drive needs to go to creep speed (Closing Cycle).
- LS-NANCB Near Adjacent bascule leaf NEAR CLOSED switch "B". Normally open (NO) held closed by leaf until drive needs to go to creep speed (Closing Cycle).
- LS-NANOA Near Adjacent bascule leaf NEAR OPEN switch "A". Normally open (NO) held closed by leaf until drive needs to go to creep speed (Opening Cycle).
- LS-NANOB Near Adjacent bascule leaf NEAR OPEN switch "B". Normally open (NO) held closed by leaf until drive needs to go to creep speed (Opening Cycle).
- LS-NAFO Near Adjacent bascule leaf FULL OPEN. Normally open (NO) held closed by leaf until drive needs to go to 0 speed (Opening Cycle).

TRAFFIC GATE LIMIT SWITCHES

- LS-FOCTGD Far On-Coming Traffic Gate Down.
LS-FOCTGDI Far On-Coming Traffic Gate Down Interlock.
- LS-FOCTGU Far On-Coming Traffic Gate Up.
LS-FOCTGUI Far On-Coming Traffic Gate Up Interlock.
- LS-FOCTGH Far On-Coming Traffic Gate Handcrank (Normally Closed, opens when hand crank is inserted in traffic gate motor).
- LS-FOCTGOD Far On-Coming Traffic Gate Operator Door Switch

LS-FOGTGD Far Off-Going Traffic Gate Down.
LS- Far Off-Going Traffic Gate Down Interlock.
FOGTGDI
LS-FOGTGU Far Off-Going Traffic Gate Up.
LS- Far Off-Going Traffic Gate Up Interlock.
FOGTGUI
LS-FOGTGH Far Off-Going Traffic Gate Handcrank (Normally Closed, opens
when hand crank is inserted in traffic gate motor).
LS- Far Off-Going Traffic Gate Operator Door Switch
FOGTGOD
LS-NOCTGD Near On-Coming Traffic Gate Down.
LS- Near On-Coming Traffic Gate Down Interlock.
NOCTGDI
LS-NOCTGU Near On-Coming Traffic Gate Up.
LS- Near On-Coming Traffic Gate Up Interlock.
NOCTGUI
LS-NOCTGH Near On-Coming Traffic Gate Handcrank (Normally Closed, opens
when hand crank is inserted in traffic gate motor).
LS- Near On-Coming Traffic Gate Operator Door Switch
NOCTGOD
LS- Near Off-Going Traffic Gate Down.
NOGTGD
LS- Near Off-Going Traffic Gate Down Interlock.
NOGTGDI
LS- Near Off-Going Traffic Gate Up.
NOGTGU
LS- Near Off-Going Traffic Gate Up Interlock.
NOGTGUI
LS- Near Off-Going Traffic Gate Handcrank (Normally Closed, opens
when hand crank is inserted in traffic gate motor).
LS- Near Off-Going Traffic Gate Operator Door Switch.
NOGTGOD

BARRIER GATES LIMIT SWITCHES (If Present)

LS-FOCTBU Far On-Coming Traffic Barrier Gate Up Limit Switch
LS-FOCTBUI Far On-Coming Traffic Barrier Gate Up Interlock Limit Switch
LS-FOCTBD Far On-Coming Traffic Barrier Gate Down Limit Switch
LS-FOCTBDI Far On-Coming Traffic Barrier Gate Down Interlock Limit Switch
LS-FOCTBH Far On-Coming Traffic Barrier Gate Handcrank Inserted Limit
Switch
LS-FOCTBOD Far On-Coming Traffic Barrier Gate Operator Door Switch
LS-NOCTBU Near On-Coming Traffic Barrier Gate Up Limit Switch
LS-NOCTBUI Near On-Coming Traffic Barrier Gate Up Interlock Limit Switch
LS-NOCTBD Near On-Coming Traffic Barrier Gate Down Limit Switch
LS-NOCTBDI Near On-Coming Traffic Barrier Gate Down Interlock Limit

	Switch
LS-NOCTBH	Near <u>O</u> n- <u>C</u> oming <u>T</u> raffic <u>B</u> arrier Gate <u>H</u> andcrank Inserted Limit Switch
LS-NOCTBOD	Near <u>O</u> n- <u>C</u> oming <u>T</u> raffic <u>B</u> arrier Gate <u>O</u> perator <u>D</u> oor Switch
LS-FOGTBU	Far <u>O</u> ff- <u>G</u> oing <u>T</u> raffic <u>B</u> arrier Gate <u>U</u> p Limit Switch
LS-FOGTBUI	Far <u>O</u> ff- <u>G</u> oing <u>T</u> raffic <u>B</u> arrier Gate <u>U</u> p Interlock Limit Switch
LS-FOGTBD	Far <u>O</u> ff- <u>G</u> oing <u>T</u> raffic <u>B</u> arrier Gate <u>D</u> own Limit Switch
LS-FOGTBDI	Far <u>O</u> ff- <u>G</u> oing <u>T</u> raffic <u>B</u> arrier Gate <u>D</u> own Interlock Limit Switch
LS-FOGTBH	Far <u>O</u> ff- <u>G</u> oing <u>T</u> raffic <u>B</u> arrier Gate <u>H</u> andcrank Inserted Limit Switch
LS-FOGTBOD	Far <u>O</u> ff- <u>G</u> oing <u>T</u> raffic <u>B</u> arrier Gate <u>O</u> perator <u>D</u> oor Switch
LS-NOGTBU	Near <u>O</u> ff- <u>G</u> oing <u>T</u> raffic <u>B</u> arrier Gate <u>U</u> p Limit Switch
LS-NOGTBUI	Near <u>O</u> ff- <u>G</u> oing <u>T</u> raffic <u>B</u> arrier Gate <u>U</u> p Interlock Limit Switch
LS-NOGTBD	Near <u>O</u> ff- <u>G</u> oing <u>T</u> raffic <u>B</u> arrier Gate <u>D</u> own Limit Switch
LS-NOGTBDI	Near <u>O</u> ff- <u>G</u> oing <u>T</u> raffic <u>B</u> arrier Gate <u>D</u> own Interlock Limit Switch
LS-NOGTBH	Near <u>O</u> ff- <u>G</u> oing <u>T</u> raffic <u>B</u> arrier Gate <u>H</u> andcrank Inserted Limit Switch
LS-NOGTBOD	Near <u>O</u> ff- <u>G</u> oing <u>T</u> raffic <u>B</u> arrier Gate <u>O</u> perator <u>D</u> oor Switch

SIDEWALK GATES LIMIT SWITCHES (If Present)

LS-FOCSGO	Far <u>O</u> n- <u>C</u> oming <u>S</u> idewalk <u>G</u> ate <u>O</u> pen Limit Switch
LS-FOCSGOI	Far <u>O</u> n- <u>C</u> oming <u>S</u> idewalk <u>G</u> ate <u>O</u> pen Interlock Limit Switch
LS-FOCSGC	Far <u>O</u> n- <u>C</u> oming <u>S</u> idewalk <u>G</u> ate <u>C</u> losed Limit Switch
LS-FOCSGCI	Far <u>O</u> n- <u>C</u> oming <u>S</u> idewalk <u>G</u> ate <u>C</u> losed Interlock Limit Switch
LS-FOCSGH	Far <u>O</u> n- <u>C</u> oming <u>S</u> idewalk <u>G</u> ate <u>H</u> andcrank Inserted Limit Switch
LS-FOCSGOD	Far <u>O</u> n- <u>C</u> oming <u>S</u> idewalk <u>G</u> ate <u>O</u> perator <u>D</u> oor Switch
LS-NOCSGO	Near <u>O</u> n- <u>C</u> oming <u>S</u> idewalk <u>G</u> ate <u>O</u> pen Limit Switch
LS-NOCSGOI	Near <u>O</u> n- <u>C</u> oming <u>S</u> idewalk <u>G</u> ate <u>O</u> pen Interlock Limit Switch
LS-NOCSGC	Near <u>O</u> n- <u>C</u> oming <u>S</u> idewalk <u>G</u> ate <u>C</u> losed Limit Switch
LS-NOCSGCI	Near <u>O</u> n- <u>C</u> oming <u>S</u> idewalk <u>G</u> ate <u>C</u> losed Interlock Limit Switch
LS-NOCSGH	Near <u>O</u> n- <u>C</u> oming <u>S</u> idewalk <u>G</u> ate <u>H</u> andcrank Inserted Limit Switch
LS-NOCSGOD	Near <u>O</u> n- <u>C</u> oming <u>S</u> idewalk <u>G</u> ate <u>O</u> perator <u>D</u> oor Switch
LS-FOGSGO	Far <u>O</u> ff- <u>G</u> oing <u>S</u> idewalk <u>G</u> ate <u>O</u> pen Limit Switch
LS-FOGSGOI	Far <u>O</u> ff- <u>G</u> oing <u>S</u> idewalk <u>G</u> ate <u>O</u> pen Interlock Limit Switch
LS-FOGSGC	Far <u>O</u> ff- <u>G</u> oing <u>S</u> idewalk <u>G</u> ate <u>C</u> losed Limit Switch
LS-FOGSGCI	Far <u>O</u> ff- <u>G</u> oing <u>S</u> idewalk <u>G</u> ate <u>C</u> losed Interlock Limit Switch
LS-FOGSGH	Far <u>O</u> ff- <u>G</u> oing <u>S</u> idewalk <u>G</u> ate <u>H</u> andcrank Inserted Limit Switch
LS-FOGSGOD	Far <u>O</u> ff- <u>G</u> oing <u>S</u> idewalk <u>G</u> ate <u>O</u> perator <u>D</u> oor Switch
LS-NOGSGO	Near <u>O</u> ff- <u>G</u> oing <u>S</u> idewalk <u>G</u> ate <u>O</u> pen Limit Switch
LS-NOGSGOI	Near <u>O</u> ff- <u>G</u> oing <u>S</u> idewalk <u>G</u> ate <u>O</u> pen Interlock Limit Switch
LS-NOGSGC	Near <u>O</u> ff- <u>G</u> oing <u>S</u> idewalk <u>G</u> ate <u>C</u> losed Limit Switch
LS-NOGSGCI	Near <u>O</u> ff- <u>G</u> oing <u>S</u> idewalk <u>G</u> ate <u>C</u> losed Interlock Limit Switch
LS-NOGSGH	Near <u>O</u> ff- <u>G</u> oing <u>S</u> idewalk <u>G</u> ate <u>H</u> andcrank Inserted Limit Switch
LS-NOGSGOD	Near <u>O</u> ff- <u>G</u> oing <u>S</u> idewalk <u>G</u> ate <u>O</u> perator <u>D</u> oor Switch

SPAN LOCK LIMIT SWITCHES

LS-SLAD	<u>S</u> pan <u>L</u> ock <u>A</u> <u>D</u> riven Limit Switch
LS-SLADI	<u>S</u> pan <u>L</u> ock <u>A</u> <u>D</u> riven <u>I</u> nterlock Limit Switch
LS-SLAP	<u>S</u> pan <u>L</u> ock <u>A</u> <u>P</u> ulled Limit Switch
LS-SLAPI	<u>S</u> pan <u>L</u> ock <u>A</u> <u>P</u> ulled <u>I</u> nterlock Limit Switch
LS-SLAH or LS-SLAOP	<u>S</u> pan <u>L</u> ock <u>A</u> <u>H</u> andcrank <u>I</u> nserted Limit Switch or <u>O</u> ver <u>P</u> ressure Switch
LS-SLBD	<u>S</u> pan <u>L</u> ock <u>B</u> <u>D</u> riven Limit Switch
LS-SLBDI	<u>S</u> pan <u>L</u> ock <u>B</u> <u>D</u> riven <u>I</u> nterlock Limit Switch
LS-SLBP	<u>S</u> pan <u>L</u> ock <u>B</u> <u>P</u> ulled Limit Switch
LS-SLBPI	<u>S</u> pan <u>L</u> ock <u>B</u> <u>P</u> ulled <u>I</u> nterlock Limit Switch
LS-SLBH or LS-SLBOP	<u>S</u> pan <u>L</u> ock <u>B</u> <u>H</u> andcrank <u>I</u> nserted Limit Switch or <u>O</u> ver <u>P</u> ressure Switch
LS-SLCD	<u>S</u> pan <u>L</u> ock <u>C</u> <u>D</u> riven Limit Switch
LS-SLCDI	<u>S</u> pan <u>L</u> ock <u>C</u> <u>D</u> riven <u>I</u> nterlock Limit Switch
LS-SLCP	<u>S</u> pan <u>L</u> ock <u>C</u> <u>P</u> ulled Limit Switch
LS-SLCPI	<u>S</u> pan <u>L</u> ock <u>C</u> <u>P</u> ulled <u>I</u> nterlock Limit Switch
LS-SLCH or LS-SLCOP	<u>S</u> pan <u>L</u> ock <u>C</u> <u>H</u> andcrank <u>I</u> nserted Limit Switch or <u>O</u> ver <u>P</u> ressure Switch
LS-SLDD	<u>S</u> pan <u>L</u> ock <u>D</u> <u>D</u> riven Limit Switch
LS-SLDDI	<u>S</u> pan <u>L</u> ock <u>D</u> <u>D</u> riven <u>I</u> nterlock Limit Switch
LS-SLDP	<u>S</u> pan <u>L</u> ock <u>D</u> <u>P</u> ulled Limit Switch
LS-SLDPI	<u>S</u> pan <u>L</u> ock <u>D</u> <u>P</u> ulled <u>I</u> nterlock Limit Switch
LS-SLDH or LS-SLDOP	<u>S</u> pan <u>L</u> ock <u>D</u> <u>H</u> andcrank <u>I</u> nserted Limit Switch or <u>O</u> ver <u>P</u> ressure Switch

TAIL LOCK LIMIT SWITCHES (If Present)

LS-TLAD	<u>T</u> ail <u>L</u> ock " <u>A</u> " bar <u>D</u> riven Limit Switch.
LS-TLADI	<u>T</u> ail <u>L</u> ock " <u>A</u> " bar <u>D</u> riven <u>I</u> nterlock Limit Switch.
LS-TLAP	<u>T</u> ail <u>L</u> ock " <u>A</u> " bar <u>P</u> ulled Limit Switch.
LS-TLAPI	<u>T</u> ail <u>L</u> ock " <u>A</u> " bar <u>P</u> ulled <u>I</u> nterlock Limit Switch.
LS-TLAHC	<u>T</u> ail <u>L</u> ock " <u>A</u> " <u>H</u> and crank <u>C</u> oupled (Normally Closed, opens when hand crank is inserted in lock motor).
LS-TLBD	<u>T</u> ail <u>L</u> ock " <u>B</u> " bar <u>D</u> riven Limit Switch.
LS-TLBDI	<u>T</u> ail <u>L</u> ock " <u>B</u> " bar <u>D</u> riven <u>I</u> nterlock Limit Switch.
LS-TLBP	<u>T</u> ail <u>L</u> ock " <u>B</u> " bar <u>P</u> ulled Limit Switch.
LS-TLBPI	<u>T</u> ail <u>L</u> ock " <u>B</u> " bar <u>P</u> ulled <u>I</u> nterlock Limit Switch.
LS-TLBHC	<u>T</u> ail <u>L</u> ock " <u>B</u> " <u>H</u> and crank <u>C</u> oupled (Normally Closed, opens when hand crank is inserted in lock motor).
LS-TLCD	<u>T</u> ail <u>L</u> ock " <u>C</u> " bar <u>D</u> riven Limit Switch.
LS-TLCDI	<u>T</u> ail <u>L</u> ock " <u>C</u> " bar <u>D</u> riven <u>I</u> nterlock Limit Switch.
LS-TLCP	<u>T</u> ail <u>L</u> ock " <u>C</u> " bar <u>P</u> ulled Limit Switch.
LS-TLCPI	<u>T</u> ail <u>L</u> ock " <u>C</u> " bar <u>P</u> ulled <u>I</u> nterlock Limit Switch.

LS-TLCHC	T <u>ail</u> L <u>ock</u> " <u>C</u> " H <u>and</u> c <u>rank</u> C <u>oupled</u> (Normally Closed, opens when hand crank is inserted in lock motor).
LS-TLDD	T <u>ail</u> L <u>ock</u> " <u>D</u> " b <u>ar</u> D <u>riven</u> L <u>imit</u> S <u>witch</u> .
LS-TLDDI	T <u>ail</u> L <u>ock</u> " <u>D</u> " b <u>ar</u> D <u>riven</u> I <u>nterlock</u> L <u>imit</u> S <u>witch</u> .
LS-TLDP	T <u>ail</u> L <u>ock</u> " <u>D</u> " b <u>ar</u> P <u>ulled</u> L <u>imit</u> S <u>witch</u> .
LS-TLDPI	T <u>ail</u> L <u>ock</u> " <u>D</u> " b <u>ar</u> P <u>ulled</u> I <u>nterlock</u> L <u>imit</u> S <u>witch</u> .
LS-TLDHC	T <u>ail</u> L <u>ock</u> " <u>D</u> " H <u>and</u> c <u>rank</u> C <u>oupled</u> (Normally Closed, opens when hand crank is inserted in lock motor).

BRAKE LIMIT SWITCHES

LS-FAOABR	F <u>ar</u> A <u>djacent</u> M <u>otor</u> A <u>B</u> r <u>ake</u> R <u>el</u> e <u>ased</u> L <u>imit</u> S <u>witch</u>
LS-FAOABMR	F <u>ar</u> A <u>djacent</u> M <u>otor</u> A <u>B</u> r <u>ake</u> M <u>anually</u> R <u>el</u> e <u>ased</u> L <u>imit</u> S <u>witch</u>
LS-FAOABS	F <u>ar</u> A <u>djacent</u> M <u>otor</u> A <u>B</u> r <u>ake</u> S <u>et</u> L <u>imit</u> S <u>witch</u>
LS-FAOBBR	F <u>ar</u> A <u>djacent</u> M <u>otor</u> B <u>B</u> r <u>ake</u> R <u>el</u> e <u>ased</u> L <u>imit</u> S <u>witch</u>
LS-FAOBBMR	F <u>ar</u> A <u>djacent</u> M <u>otor</u> B <u>B</u> r <u>ake</u> M <u>anually</u> R <u>el</u> e <u>ased</u> L <u>imit</u> S <u>witch</u>
LS-FAOBBS	F <u>ar</u> A <u>djacent</u> M <u>otor</u> B <u>B</u> r <u>ake</u> S <u>et</u> L <u>imit</u> S <u>witch</u>
LS-FAABR	F <u>ar</u> A <u>djacent</u> M <u>achinery</u> B <u>rake</u> R <u>el</u> e <u>ased</u> L <u>imit</u> S <u>witch</u>
LS-FAABMR	F <u>ar</u> A <u>djacent</u> M <u>achinery</u> B <u>rake</u> M <u>anually</u> R <u>el</u> e <u>ased</u> L <u>imit</u> S <u>witch</u>
LS-FAABS	F <u>ar</u> A <u>djacent</u> M <u>achinery</u> B <u>rake</u> S <u>et</u> L <u>imit</u> S <u>witch</u>
LS-NAOABR	N <u>ear</u> A <u>djacent</u> M <u>otor</u> A <u>B</u> r <u>ake</u> R <u>el</u> e <u>ased</u> L <u>imit</u> S <u>witch</u>
LS-NAOABMR	N <u>ear</u> A <u>djacent</u> M <u>otor</u> A <u>B</u> r <u>ake</u> M <u>anually</u> R <u>el</u> e <u>ased</u> L <u>imit</u> S <u>witch</u>
LS-NAOABS	N <u>ear</u> A <u>djacent</u> M <u>otor</u> A <u>B</u> r <u>ake</u> S <u>et</u> L <u>imit</u> S <u>witch</u>
LS-NAOBBR	N <u>ear</u> A <u>djacent</u> M <u>otor</u> B <u>B</u> r <u>ake</u> R <u>el</u> e <u>ased</u> L <u>imit</u> S <u>witch</u>
LS-NAOBBMR	N <u>ear</u> A <u>djacent</u> M <u>otor</u> B <u>B</u> r <u>ake</u> M <u>anually</u> R <u>el</u> e <u>ased</u> L <u>imit</u> S <u>witch</u>
LS-NAOBBS	N <u>ear</u> A <u>djacent</u> M <u>otor</u> B <u>B</u> r <u>ake</u> S <u>et</u> L <u>imit</u> S <u>witch</u>
LS-NAABR	N <u>ear</u> A <u>djacent</u> M <u>achinery</u> B <u>rake</u> R <u>el</u> e <u>ased</u> L <u>imit</u> S <u>witch</u>
LS-NAABMR	N <u>ear</u> A <u>djacent</u> M <u>achinery</u> B <u>rake</u> M <u>anually</u> R <u>el</u> e <u>ased</u> L <u>imit</u> S <u>witch</u>
LS-NAABS	N <u>ear</u> A <u>djacent</u> M <u>achinery</u> B <u>rake</u> S <u>et</u> L <u>imit</u> S <u>witch</u>
LS-FOOABR	F <u>ar</u> O <u>pposite</u> M <u>otor</u> A <u>B</u> r <u>ake</u> R <u>el</u> e <u>ased</u> L <u>imit</u> S <u>witch</u>
LS-FOOABMR	F <u>ar</u> O <u>pposite</u> M <u>otor</u> A <u>B</u> r <u>ake</u> M <u>anually</u> R <u>el</u> e <u>ased</u> L <u>imit</u> S <u>witch</u>
LS-FOOABS	F <u>ar</u> O <u>pposite</u> M <u>otor</u> A <u>B</u> r <u>ake</u> S <u>et</u> L <u>imit</u> S <u>witch</u>
LS-FOOBBR	F <u>ar</u> O <u>pposite</u> M <u>otor</u> B <u>B</u> r <u>ake</u> R <u>el</u> e <u>ased</u> L <u>imit</u> S <u>witch</u>
LS-FOOBBMR	F <u>ar</u> O <u>pposite</u> M <u>otor</u> B <u>B</u> r <u>ake</u> M <u>anually</u> R <u>el</u> e <u>ased</u> L <u>imit</u> S <u>witch</u>
LS-FOOBBS	F <u>ar</u> O <u>pposite</u> M <u>otor</u> B <u>B</u> r <u>ake</u> S <u>et</u> L <u>imit</u> S <u>witch</u>
LS-FOABR	F <u>ar</u> O <u>pposite</u> M <u>achinery</u> B <u>rake</u> R <u>el</u> e <u>ased</u> L <u>imit</u> S <u>witch</u>
LS-FOABMR	F <u>ar</u> O <u>pposite</u> M <u>achinery</u> B <u>rake</u> M <u>anually</u> R <u>el</u> e <u>ased</u> L <u>imit</u> S <u>witch</u>
LS-FOABS	F <u>ar</u> O <u>pposite</u> M <u>achinery</u> B <u>rake</u> S <u>et</u> L <u>imit</u> S <u>witch</u>
LS-NOOABR	N <u>ear</u> O <u>pposite</u> M <u>otor</u> A <u>B</u> r <u>ake</u> R <u>el</u> e <u>ased</u> L <u>imit</u> S <u>witch</u>
LS-NOOABMR	N <u>ear</u> O <u>pposite</u> M <u>otor</u> A <u>B</u> r <u>ake</u> M <u>anually</u> R <u>el</u> e <u>ased</u> L <u>imit</u> S <u>witch</u>
LS-NOOABS	N <u>ear</u> O <u>pposite</u> M <u>otor</u> A <u>B</u> r <u>ake</u> S <u>et</u> L <u>imit</u> S <u>witch</u>
LS-NOOBBR	N <u>ear</u> O <u>pposite</u> M <u>otor</u> B <u>B</u> r <u>ake</u> R <u>el</u> e <u>ased</u> L <u>imit</u> S <u>witch</u>
LS-NOOBBMR	N <u>ear</u> O <u>pposite</u> M <u>otor</u> B <u>B</u> r <u>ake</u> M <u>anually</u> R <u>el</u> e <u>ased</u> L <u>imit</u> S <u>witch</u>
LS-NOOBBS	N <u>ear</u> O <u>pposite</u> M <u>otor</u> B <u>B</u> r <u>ake</u> S <u>et</u> L <u>imit</u> S <u>witch</u>
LS-NOABR	N <u>ear</u> O <u>pposite</u> M <u>achinery</u> B <u>rake</u> R <u>el</u> e <u>ased</u> L <u>imit</u> S <u>witch</u>
LS-NOABMR	N <u>ear</u> O <u>pposite</u> M <u>achinery</u> B <u>rake</u> M <u>anually</u> R <u>el</u> e <u>ased</u> L <u>imit</u>

Switch
LS-NOABS Near Opposite Machinery Brake Set Limit Switch

AUXILIARY DRIVE LIMIT SWITCHES (If Present)

LS-FOADC Far Opposite Auxiliary Drive Coupled (Normally Closed, opens when drive is coupled).
LS-FAADC Far Adjacent Auxiliary Drive Coupled (Normally Closed, opens when drive is coupled).
LS-NOADC Near Opposite Auxiliary Drive Coupled (Normally Closed, opens when drive is coupled).
LS-NAADC Near Adjacent Auxiliary Drive Coupled (Normally Closed, opens when drive is coupled).

Design each movable leaf with FULL-CLOSED, NEAR-CLOSED, NEAR-OPEN, FULL-OPEN, and FULL-SEATED limit switches. Specify NEMA 4, corrosion resistant metallic housings which have a high degree of electrical noise immunity and a wide operating range. Specify that NEAR-OPEN and NEAR-CLOSED limit switches be mounted, initially, approximately eight (8) degrees from FULL-OPEN and FULL-CLOSED, respectively. Final adjustment of NEAR-OPEN and NEAR-CLOSED will depend upon bridge configuration, drive machinery, and bridge operation.

Commentary:

The FULL-CLOSED switch controls the drive stop and the FULL-SEATED switch is the safety interlock to allow driving the locks.

Do not connect limit switches in series. Connect each limit switch to a relay coil or a PLC input. Provide position encoder (potentiometer or other type) to drive leaf position indicators on control console. The position encoder will also provide a signal to the PLC to use as a reference to determine leaf limit switch failure. Connect limit switches in the following configurations:

Traffic Gates: End-Of-Travel configuration.

Span Locks: End-Of-Travel configuration.

Leaf(s): End-Of-Travel configuration.

Safety Interlocks: Indicating configuration.

Do not use electronic limit switches. Plunger type switches are optional.

10.7.9 Safety Interlocking [AASHTO 8.4.1]

- A. Traffic Lights: Traffic gates LOWER is not enabled until traffic lights RED. Provide bypass capability labeled TRAFFIC LIGHT BYPASS to allow traffic gates LOWER without traffic lights RED.
- B. Traffic Gates:

- 1.) Bridge Opening: Span locks PULL is not enabled until **all** traffic gates are fully down (or TRAFFIC GATE BYPASS has been engaged).
 - 2.) Bridge Closing: Traffic lights GREEN is not enabled until **all** traffic gates are fully raised (or TRAFFIC GATE BYPASS has been engaged).
 - 3.) Provide bypass capability labeled TRAFFIC GATE BYPASS to allow span lock PULL without **all** traffic gates LOWERED or traffic lights GREEN without **all** traffic gates RAISED.
- C. Span Locks:
- 1.) Bridge Opening: Leaf RAISE is not enabled until **all** span locks are fully pulled (or SPAN LOCK BYPASS has been engaged).
 - 2.) Bridge Closing: Traffic gate RAISE is not enabled until **all** span locks are fully driven (or SPAN LOCK BYPASS has been engaged).
 - 3.) Provide bypass capability and label SPAN LOCK BYPASS to allow leaf RAISE without **all** span locks pulled or traffic gate RAISE without **all** span locks DRIVEN.
- D. Leaf(s):
- 1.) Span locks DRIVE is not enabled until leaf (s) is(are) FULLY SEATED (as indicated by the FULLY SEATED switch).
 - 2.) Provide bypass capability and label LEAF BYPASS to allow span lock DRIVE without leaf (s) FULLY SEATED.

10.7.10 Instruments [AASHTO 8.4.5]

Provide wattmeter for each drive (pump) motor and provide leaf position indication for each leaf.

10.7.11 Control Console [AASHTO 8.4.6]

Provide a Control Console that contains the necessary switches and indicators to perform semi-automatic and manual operations as required by the standard FDOT "Basic Sequence Diagram." All wiring entering or leaving the Control Console shall be broken across approved terminals.

No components other than push buttons, selector switches, indicating lights, terminal blocks, etc., shall be allowed in the Control Console. Refer to the "Technical Special Provisions" issued by the Mechanical/Electrical Section of the SDO.

10.7.12 Electrical Connections between Fixed and Moving Parts [AASHTO 8.9.5]

Use extra flexible wire or cable.

10.7.13 Electrical Connections across the Navigable Channel [AASHTO 8.9.7]

Specify a submarine cable assembly consisting of the following three separate cables:

- A. Power Cable: Jacketed and armored with twelve (12) #4 AWG copper and twelve (12) #10 AWG copper conductors.
- B. Signal and Control Cable: Jacketed and armored with fifty (50) #12 AWG copper and five (5) pairs of twisted shielded #14 AWG copper conductors.
- C. Bonding Cable: A single #4/0 AWG copper conductor.

Determine the total number of conductors required of each size and the number of runs of each type of cable that is required for the project. Use only multiples of the standard cables listed above. Allow for at least 25% spare conductors for each size.

Specify quick-disconnect type terminals for terminating conductors. Specify terminals that isolate wires from a circuit by a removable bridge or other similar means. Specify NEMA 4X enclosures for all terminals.

Design all above the water line, vertical runs of cable with supports at every five feet. Specify and detail a protective sleeve (schedule 120 PVC) around the cable from a point 5 feet below the mean low tide to a point 5 feet above mean high tide. Specify a watertight seal at both ends of the sleeve.

10.7.14 Service Lights [AASHTO 8.11]

Provide minimum of 30-foot candles in all areas of the machinery platform.

10.7.15 Navigation Lights [AASHTO 1.4.4.6.2]

Design a complete navigation light and aids system in accordance with all local and federal requirements and **Standard Drawings** Nos. 510 and No. 511. Comply with the latest edition of the **Code of Federal Regulations** (CFR) 33, Part 118, and Coast Guard Requirements.

10.7.16 Grounding and Lightning Protection [AASHTO 8.12 AND 8.13]

Provide the following systems:

- A. Lightning Protection System: Design per the requirements of NFPA 780 *Lightning Protection Code*. Protect the bridge with Class II materials.
- B. Surge Suppression System: Design Transient Voltage Surge Suppressor (TVSS) system to protect all power, control, signaling, and communication circuits and all submarine conductors that enter or leave the control house. It

is imperative to maintain proper segregation of protected and non-protected wiring within the Bridge Tender House. Refer to the "Technical Special Provisions" issued by the Mechanical/Electrical Section of the SDO.

- C. Grounding and Bonding System: All equipment installed on the bridge/project shall be "bonded" together by means of a copper bonding conductor which runs the entire length of the project (Traffic Light to Traffic Light). All metal bridge components (i.e., handrail, roadway light poles, traffic gate housings, leafs, etc.) will be connected to the "copper-bonding conductor." The "copper-bonding conductor" shall remain continuous across the channel by means of the submarine bonding cable.

Require earth grounds at regular intervals with no less than two driven grounds at each pier and one driven ground at each overhead traffic light structure and traffic gate. Test all driven grounds to a maximum of 5 ohms to ground.

All "main connections" to the "copper-bonding conductor" shall be cadwelded.

In areas where the "copper-bonding conductor" is accessible to non-authorized personnel, it must be enclosed in Schedule 80 PVC conduit with stainless steel supports every 5 feet.

10.7.17 Movable Bridge Traffic Signals and Safety Gates [AASHTO 1.4.4]

Refer to *Roadway Standard Index* No. 17890 for Traffic Control Devices for Movable Span Bridge Signals.

10.7.18 Communications Systems [N/A]

Design and specify a Public Address System, an Intercom System, and a Marine Radio System for each movable bridge. The three systems shall work independent of each other and shall meet the following criteria:

- A. Public Address System: One-way handset communication from the operators console to multiple zones (marine channel, roadway, machinery platforms, and other rooms). Specify an "all call" feature so that the operator may call all zones at once. Specify and detail loudspeakers mounted on the pier wall facing in both directions of the channel, one loudspeaker mounted at each overhead traffic signal, facing the oncoming gate, and loudspeakers at opposite ends of the machinery platform.
- B. Intercom System: Two-way communication system that will work similar to an office telephone system with "station-to-station" calling from any station on the system and "all call" to all stations on the system from the main intercom panel. Each station shall have a "hands free" capability. A call initiated from one station to another shall open a channel and give a tone at the receiving end. The receiving party shall have the capability of answering the call by

speaking into the open speaker channel, or by picking up the local receiver and speaking into it. All intercom equipment shall be capable of operation in a high noise, salt air environment. A handset shall be mounted adjacent to the control console, in each room on the bridge and on each machinery platform.

- C. Marine Radio System: Hand held, portable, operable on or off the charger, tuned to the proper channels, and a 120-volt charger located adjacent to the operator's console.

10.7.19 Functional Checkout [N/A]

Develop and specify an outline for performing system checkout of all mechanical/electrical components to insure contract compliance and proper operation. Specify in-depth testing to be performed by the Contractor.

Functional testing for the electrical control system consists of two parts. Perform the first part before delivery, and the second part after installation on the bridge. Both tests shall be comprehensive. Perform the off-site functional testing to verify that all equipment is functioning as intended.

All repairs or adjustments shall be made before installation on Department property. All major electrical controls shall be assembled and tested in one place, at one time. The test shall include as a minimum: control console, PLC, relay back-up system, Motor Control Center, and all other equipment required, in the opinion of the Electrical Engineer of Record, to complete the testing to the satisfaction of the Mechanical/Electrical Section of the SDO.

If not satisfactory, repeat the testing at no cost to the Department. All equipment shall be assembled and inter-connected (as they would be on the bridge) to simulate bridge operation. No inputs or outputs shall be forced. Indication lights shall be provided to show operation and hand operated toggle switches may be used to simulate field limit switches.

After the off-site testing is completed to the satisfaction of the Mechanical/Electrical Section of the SDO, the equipment may be delivered and installed. The entire bridge control system shall be re-tested before the bridge is put into service. The field functional testing shall include, but is not necessarily limited to, the off-site testing procedure.

As a minimum, perform the following tests of Control Functions for both manual and semi-automatic operations:

Commentary:

The Electrical Engineer of Record is encouraged to include tests for other equipment not included in the minimum tests listed below.

- A. Demonstrate the correct operation of the bridge sequence as described in the "Technical Special Provisions" and in the drawings.

-
- B. Demonstrate EMERGENCY STOP of each span (leaf) at, or during, each phase of opening and closing the bridge (phases include ramping up or down, full-speed, and creep-speed).
 - C. Demonstrate EMERGENCY STOP does prevent energization of all rotating machinery in any mode of operation.
 - D. Demonstrate that the leaf (s) do not come to a sudden stop on a power failure.
 - E. Interlocks:
 - 1.) Simulate the operation of each limit switch to demonstrate correct operation and interlocking of systems.
 - 2.) Demonstrate **BYPASS** operation for each failure for each required bypass.
 - 3.) Simulate each failure for which there is an alarm message to demonstrate correct message displays.
 - 4.) Testing of interlocks shall be sufficient to demonstrate that unsafe or out of sequence operations are prevented.
 - 5.) Observe Position Indicator readings with bridge closed and full open to assure correct readings.
 - F. Navigation Lights:
 - 1.) Demonstrate that all lamps are working.
 - 2.) Demonstrate the operation of the transfer relays and indicators for each light.
 - 3.) Demonstrate proper change of channel lights from red to green.
 - 4.) Demonstrate Battery Backup by simulating a power outage.
 - G. Traffic Gates:
 - 1.) Demonstrate proper operation of each gate arm.
 - 2.) Demonstrate opening or closing times. Time should not exceed 15 seconds in either direction.
 - 3.) Demonstrate that gate arms are perpendicular to the roadway when RAISED and parallel to the roadway when LOWERED.
 - H. Span Locks:
 - 1.) Operate each span lock through one complete cycle and record, with chart recorder, motor power (watts) throughout the operation, record lockbar to guide and lockbar to receiver, clearances.
 - 2.) Demonstrate pulling and driving times. Time should not exceed 10 seconds in either direction.
 - 3.) Operate each lock with hand crank or manual pump for one complete cycle.
 - I. Emergency Power:
 - 1.) The complete installation shall be initially started and checked-out for operational compliance by a factory-trained representative of the manufacturer of the generator set and the Automatic Transfer Switch. The supplier of the generator set shall provide the engine lubrication oil and antifreeze recommended by the manufacturer for operation under the environmental conditions specified.

- 2.) Upon completion of initial start-up and system checkout, the supplier of the generator set shall notify the Engineer in advance and perform a field test to demonstrate load-carrying capability, stability, voltage, and frequency.
 - 3.) Specify a dielectric absorption test on generator winding with respect to ground. A polarization index shall be determined and recorded. Submit copies of test results to the Engineer.
 - 4.) Phase rotation test shall be made to determine compatibility with load requirements.
 - 5.) Engine shutdown features such as low oil pressure, over-temperature, over-speed, over-crank, and any other feature as applicable shall be function-tested.
 - 6.) In the presence of the Engineer, perform resistive load bank tests at one hundred percent (100%) nameplate rating. Loading shall be 25%-rated for 30 minutes, 50%-rated for 30 minutes, 75%-rated for 30 minutes, and 100%-rated for 2 hours. Maintain records throughout this period and record water temperature, oil pressure, ambient air temperature, voltage, current, frequency, kilowatts, and power factor. The above data shall be recorded at 15-minute intervals throughout the test.
- J. Automatic Transfer Switch: Perform automatic transfer by simulating loss of normal power and return to normal power. Monitor and verify correct operation and timing of: normal voltage sensing relays, engine start sequence, time delay upon transfer, alternate voltage sensing relays, automatic transfer operation, interlocks and limit switch function, timing delay and retransfer upon normal power restoration, and engine shut-down feature.
- K. Programmable Logic Controller (PLC) Program:
- 1.) Demonstrate the completed program's capability prior to installation or connection of the system to the bridge. Arrange and schedule the demonstration with the Engineer and the Electrical Engineer of Record.
 - 2.) A detailed field test procedure shall be written and provided to the Electrical Engineer of Record for approval. Provide for testing as listed below:
 - a.) Exercise all remote limit switches to simulate faults including locks, gates, traffic lights, etc. Readouts shall appear on the alphanumeric display.
 - b.) When the local testing of all individual remote components is completed, check all individual manual override selections for proper operation at the console. When all override selections have been satisfactorily checked-out, switch the system into semi-automatic (PLC) mode and exercise for a full raise and lower cycle. Verify that operation is as diagrammed on the plan sheet for the sequence of events.
 - c.) Initiate a PLC sequence of operation interweaving the by-pass functions with the semi-automatic functions for all remote equipment.
 - d.) Remove the power from the input utility lines. The Automatic Transfer Switch (ATS) should activate the engine-generator to supply power. Raise and lower the bridge again. The bascule leaves should operate

in sequence; i.e., two adjacent bascule leafs at a time. Upon completion of the test, re-apply utility power to ATS. The load should switch over to utility for normal operation.

- e.) Certify that all safety features are included in the program, and that the program will not accept commands that are contrary to the basic sequence diagram. Submit failure mode testing as part of the written field test procedure.

10.8 Control House Architectural Design

A control house is the 'building' designed as part of a moveable bridge (Bascule, 'drawbridge', etc.) which is occupied by the bridge operator. This facility houses the business functions, and mechanical & electrical systems used to operate the bridge. This includes equipment such as pumps, motors, generators, etc. and systems such as controls, lighting, plumbing, and HVAC.

The design of new control houses and renovation of existing control houses shall comply with the requirements of the FLORIDA BUILDING CODE.

- A. Operation area(s) contain business functions.
- B. Equipment area(s) contain mechanical and electrical equipment.

10.8.1 General

- A. These guidelines are intended primarily for use in the design of new control houses but many items apply to renovations of existing houses.
- B. The operator should be able to hear all traffic (vehicular and marine) as well as see traffic from the primary work station(s) in the operation area(s).
- C. Heat gain can be a problem. Where sight considerations permit, insulated walls should be used as a buffer against heat gain. Provide 4 to 5 foot roof overhangs.
- D. The preferred wall construction is reinforced concrete; minimum six inches thick with architectural treatments such as fluted corner pilasters, arches, frieze ornamentation, horizontal banding or other relief to blend with local design considerations.
- E. Finish exterior of house with stucco, Class V coating or spray-on granite or cast stone.
- F. Design the Bridge Tenders Room with a minimum of 200 square feet of usable floor space. This allows enough room for a toilet, kitchenette, and coat/mop closet as well as wall-hung desk and control console. Add additional square footage for stairwells, or place stairs on exterior of structure.
- G. Windowsills should be no more than 34 inches from the floor. This allows for operator vision when seated in a standard task chair.
- H. Consideration should be given to lines of sight from control station during column sizing and spacing.
- I. For operator standing at control console, verify site lines to:

- 1.) Traffic gates for both directions of automobile traffic.
- 2.) Marine traffic for both directions of the navigable channel.
- 3.) Locations where pedestrians normally will stop.
- 4.) Under side of bridge, at channel, via video cameras (4) with recording capabilities for accident investigation.

10.8.2 Site Water Lines

Specify pipe and fittings for site water lines including domestic water line, valves, fire hydrants and domestic water hydrants. Size to provide adequate pressure and detail drawings as necessary to show location and extent of work. Specify disinfection of potable water distribution system and all water lines per the requirements of American Water Works Association (AWWA).

10.8.3 Site Sanitary Sewage System

Gravity lines to manholes are preferred. Avoid the use of lift stations. However if lift stations are required, special consideration must be given to daily flows as well as pump cycle times.

Low daily flows result in long cycle times and associated odor problems. Include pump and flow calculations and assumptions in 60% submittal.

For bridges which are not served by a local utility company, or where connection is prohibitively expensive, and where septic tanks are not permitted or practical, coast guard approved marine sanitation devices are acceptable.

10.8.4 Stairs, Steps and Ladders

Stair treads shall be at least 3 feet wide and comply with codes in regard to riser and tread dimensions. Comply with OSHA requirements. The preferred tread is skid-resistant open grating. Avoid the use of ladders or stair ladders.

Commentary:

Ships ladders may be used, only as last resort for very limited height (4 feet vertical maximum).

Stairs and landings may be on the exterior of the house.

Commentary:

This reduces heating and cooling requirements as well as providing more usable floor space.

For interior stairwells, spiral stairs are acceptable although not preferred. Minimum 6 foot diameter.

Special attention must be paid to clearances for moving equipment into or out of a control house.

Design stair assembly to support live load of 100 lbs/sq ft with deflection of stringer not to exceed 1/180 of span. Include calculations in 60% submittal.

In situations where stairs cannot be accommodated, stair ladders may be used. Vertical ladders should not be used.

10.8.5 Handrails and Railing

Specify standard I.P.S. size schedule 40 1½ inch O.D. steel or aluminum pipe with corrosion resistant, slip-on structural fittings that permit easy field installation and removal. Welded tube rails are not preferred.

Design railing assembly, wall rails, and attachments to resist a load of 200 pounds at any point and in any direction, plus a continuous load of 50 psf in any direction without damage or permanent set. Include calculations in 60% submittal.

Grating and Floor Plates. Specify skid resistant open grating, except at control level.

10.8.6 Framing and Sheathing

A. Include a specification section for the following items if used:

- 1.) Structural floor, wall, and roof framing.
- 2.) Built-up structural beams and columns.
- 3.) Diaphragm trusses fabricated on site.
- 4.) Floor, wall, and roof sheathing.
- 5.) Sill gaskets and flashing.
- 6.) Preservative treatment of wood.
- 7.) Fire retardant treatment of wood.
- 8.) Telephone and electrical panel back boards. Concealed wood blocking for support of toilet and bath accessories, wall cabinets, and wood trim.
- 9.) All other sections applicable to tender house design and construction.

10.8.7 Desktop and Cabinet

- A. Specify and detail a wall-hung desktop with drawer. Show desktop.
- B. Specify and detail a minimum 7 feet of 36-inch base cabinets and 7 feet of 24 or 36-inch wall cabinets.
- C. Specify cabinet hardware and solid-surfacing material counter-tops and desktop.

10.8.8 Insulation

- A. Design the tender house so that insulation meets the following requirements:
Walls - R19, Roof assembly - R30.
- B. Board Insulation may be used at underside of floor slabs, exterior walls, and between floors separating conditioned and unconditioned spaces.

- C. Batt Insulation may be used in ceiling construction and for filling perimeter and door shim spaces, crevices in exterior wall and roof.

10.8.9 Fire-Stopping

- A. Specify, design, and detail fire-stopping for wall and floor penetrations.
- 1.) Main Floor Walls: 1 Hour
 - 2.) Stair Walls (Interior): 2 Hours
 - 3.) Interior Partitions: $\frac{3}{4}$ Hour

10.8.10 Roof

- A. Do not use flat roofs, "built-up" roofs, etc.
- B. Design: Hip roof with minimum 6:12 pitch and 4 to 5 foot overhang.
- C. Roof Material: Specify and detail either standing seam 18 gauge metal or glazed clay tiles. Note: many of the coastal environments will void the manufacturer's warranty for metal. Before specifying a metal roof determine if the manufacturer will warrant the roof in the proposed environment, if not, use tiles meeting or exceeding the Grade I requirements of ASTM C 1167.
- D. Soffit: Specify ventilated aluminum or vinyl.
- E. Fascia: Specify aluminum, vinyl or stucco.
- F. Design for hurricane force uplift on roof, roof framing, decking, anchors and other components. Include roof load and uplift calculations in 60% submittal.
- G. During design, consider underlayment, eave, and ridge protection, nailers and associated metal flashing.

10.8.11 Doors And Hardware

- A. Specify and detail armored aluminum entry doors; ballistics rated for .357 Magnum fired at point blank range.
- B. Interior Doors:
- 1.) Passage - Solid core or solid wood
 - 2.) Closets – Louvered
- C. Hardware:
- 1.) Specify corrosion resistant, heavy-duty, commercial ball-bearing hinges and levered locksets and dead bolts for entry doors.
 - 2.) Specify adjustable thresholds, weather-stripping, seals and door gaskets.
 - 3.) Specify interior locksets.
 - 4.) Call for all locks keyed alike and spare keys.

10.8.12 Windows

- A. Specify windows complying with the American Architectural Manufacturers Association standards (AAMA) for heavy commercial windows.
- B. Specify double-hung, marine glazed heavy commercial (DHHC) type extruded aluminum windows. Glazing shall be ballistics-rated for .357 Magnum fired at point blank range.
- C. Specify windows to be counter balanced to provide 60% lift assistance.

- D. Specify operating hardware and insect screens.
- E. Specify perimeter sealant.
- F. When ballistic glazing is required, specify glazing that is rated for .357 Magnum round fired at point blank range.
- G. Structural Loads: ASTM E330-70. With 60-lb/sq ft [2.87 kPa] exterior uniform load and 60-lb/sq ft [2.87 kPa] interior load applied for 10 seconds with no glass breakage, permanent damage to fasteners, hardware parts, actuating mechanisms or any other damage.
- H. Air Leakage: No more than 0.35 cfm/min/sq ft [0.002cu m/s/sq in] of wall area, measured at a reference differential pressure across assembly of 1.57 psf [75 Pa] as measured in accordance with ASTM E283.
- I. Water Leakage: None, when measured in accordance with ASTM E331 with a test pressure of 6 psf applied at 5 gallons per hour per square ft.

10.8.13 Veneer Plaster (Interior Walls)

Specify ¼ inch plaster veneer over ½ inch moisture-resistant gypsum wallboard (blueboard), masonry and concrete surfaces.

10.8.14 Gypsum Board (Interior Walls)

Specify ½ inch blueboard for plaster veneer.
Specify ½ inch fiberglass reinforced cement backer board for tile.
Specify taped and sanded joint treatment and smooth texture finish.

10.8.15 Floor Tile

Specify non-skid quarry tile on tender's level.
Do not use vinyl floor tiles or sheet goods.

10.8.16 Epoxy Flooring

Specify fluid applied non-slip epoxy flooring for electrical rooms, machinery rooms and machinery platforms. Ensure that the manufacturer of the product warrants the product used and that it is installed per their instructions. Do not specify painted floors.

10.8.17 Painting

Specify paint for woodwork and walls.

10.8.18 Wall Louvers

Use rainproof intake and exhaust louvers and size to provide required free area. Design with minimum 40% free area to permit passage of air at a velocity of 335 ft/min [160 L/sec] without blade vibration or noise with maximum static pressure loss of 0.25 inches [6 mm] measured at 375 ft/m in [175 L/sec].

10.8.19 Toilet and Bath Accessories

Specify a mirror, soap dispenser, tissue holder, paper towel dispenser, and a waste paper basket for each bathroom.

Specify a bathroom exhaust fan.

Porcelain water closet and lavatory.

10.8.20 Equipment and Appliances

Specify a shelf mounted or built-in 1.5 cubic foot microwave with digital keypad and users manual.

Specify an under counter refrigerator with users manual.

Specify a fire extinguisher for each room. Type ABC 10.

10.8.21 Furnishings

Specify two gas lift front-tilt task chairs.

Provide one R5 cork bulletin board.

Specify window treatment (blinds or shades).

10.8.22 Pipe and Fittings

Specify pipefittings, valves, and corporation stops, etc.

Provide hose bib outside house.

Provide wall-mounted, corrosion resistant (fiberglass or plastic) hose hanger and 50-foot nylon reinforced $\frac{3}{4}$ inch garden hose in a secure area.

Provide stops at all plumbing fixtures.

Provide primed floor drains.

Provide air traps to eliminate/reduce water hammer.

Provide ice maker supply line.

10.8.23 Plumbing Fixtures

Specify a single bowl, stainless steel, self-rimming kitchen counter sink, a sink faucet, a lavatory, a lavatory faucet, and an elongated toilet.

Do not specify ultra-low flow fixtures unless the bridge has a marine digester system.

Specify all trim, stops, drains, tail pieces, etc. for each fixture.

Provide 10-gallon water heater for kitchen sink and lavatory.

10.8.24 Heating, Ventilating and Air Conditioning

A central split unit is preferred but multiple, packaged units may be acceptable for rehabs. Design HVAC system with indoor air handler, duct work and out-door unit(s). Perform load calculations and design the system accordingly. Include load calculations in 60% or 75% submittal. For highly corrosive environments use corrosive resistant equipment.

Specify packaged terminal air conditioning units.

Specify packaged terminal heat pump units.
Specify and detail wall sleeves and louvers.
Specify controls.
Specify and show ceiling fans on floor plan.
Specify ventilation equipment for machinery levels and attic.

10.8.25 Interior Luminaires

Specify fixtures under section 508 of FDOT Standard Specifications for Road and Bridge Construction, current adopted edition.
Avoid the use of heat producing fixtures.
Do not use PCV Ballasted lighting fixtures.

10.8.26 Video Equipment

Cameras (4): One camera each channel direction to provide full view of channel and fender system and one camera each direction of traffic to provide view of all travel lanes and sidewalks.
Monitors (4): One for each camera.
Provide recording capabilities for each camera.

10.9 Maintainability

10.9.1 General

The following guidelines for maintainability of movable bridges are applicable to both new bridges and to rehabilitation plans for existing bridges on which construction has not been initiated. Variations from these practices for the rehabilitation of existing bridges may be authorized by the Mechanical/Electrical Section of the SDO, but only by approval in writing.

10.9.2 Trunnion Bearings

Design trunnion bearings so that replacement of bushings can be accomplished with the span jacked $\frac{1}{2}$ inch [12 mm] and in a horizontal position. Provide suitable jacking holes or puller grooves in bushings to permit extraction. Jacking holes shall utilize standard bolts pushing against the housing that supports the bushing.

Specify trunnion bushings and housings of a split configuration. The bearing cap and upper-half bushing (if an upper-half bushing is required) shall be removable without span jacking or removal of other components.

10.9.3 Span-Jacking of New Bridges

Stationary stabilizing connector points are located on the bascule pier. These points provide a stationary support for stabilizing the span, by connection to the span stabilizing connector points. Locate one set of span-jacking surfaces under

the trunnions (normally, this will be on the bottom surface of the bascule girder). Locate a second set on the lower surface at the rear end of the counterweight.

Locate span stabilizing connector points on the bascule girder forward and back of the span jacking surfaces. The stationary stabilizing connector point (forward) shall be in the region of the Live Load Shoe. Locate stationary stabilizing connector points (rear) on the cross girder support at the rear of the bascule pier. Provide connector points to attach stabilizing structural steel components.

Commentary:

Position the stationary jacking surface at an elevation as high as practical so that standard hydraulic jacks can be installed.

The following definitions of terms used above describe elements of the span-jacking system:

Span-jacking Surface: An area located under the trunnion on the bottom surface of the bascule girder.

Span Stabilizing Connector Point (forward): An area adjacent to the live load shoe point of impact on the bottom surface of the bascule girder.

Span Stabilizing Connector Point (rear): An area at the rear end of the counterweight on the lower surface of the counterweight girder. (NOTE: For bascule bridges having tail locks, the span stabilizing connector point may be located on the bottom surface of the lockbar receiver located in the counterweight.)

Stationary Jacking Surface: The surface located on the bascule pier under the span jacking surfaces. The stationary jacking surface provides an area against which to jack in lifting the span.

10.9.4 Trunnion Alignment Features

Provide center holes in trunnions to allow measurement and inspection of trunnion alignment. Span structural components shall not interfere with complete visibility through the trunnion center holes. Provide individual adjustment for alignment of trunnions.

Provide a permanent walkway or ladder with work platform to permit inspection of trunnion alignment.

10.9.5 Lock Systems

Span locks are to be accessible from the bridge sidewalk through a suitable hatch or access door. Provide a work platform suitable for servicing of the lockbars under the deck and in the region around the span locks.

Design lock systems to allow disabling an individual lock, for maintenance or replacement, without interfering with the operation of any of the other lockbars on the bascule leaf.

Design tail locks, when required, so that the lockbar mechanism is accessible for repair without raising the leaf. The lockbar drive mechanism shall be accessible from a permanently installed platform within the bridge structure.

Provide adjustable lockbar clearances for wear compensation.

10.9.6 Machinery Drive Systems

Design machinery drive assemblies so that components are individually removable from the drive system without removal of other major components of the drive system.

Commentary:

For example, a speed-reducer assembly can be removed by breaking flexible couplings at the power input and output ends of the speed-reducer.

10.9.7 Lubrication Provisions

Bridge system components requiring lubrication shall be accessible without use of temporary ladders or platforms. Provide permanent walkways and stairwells to permit free access to regions requiring lubrication. Lubrication fittings shall be visible, clearly marked and easily reached by maintenance personnel.

Designs for automatic lubrication systems shall provide for storage of not less than three (3) months supply of lubricant without refilling. Refill shall be accomplished within a period of 15 minutes through a vandal-proof connection box located on the bridge sidewalk, clear of the roadway. Blockage of one traffic lane during this period is permitted.

10.9.8 Drive System Bushings

All bearing housings and bushings in open machinery drive and lock systems shall utilize split-bearing housings and bushings and shall be individually removable and replaceable without affecting adjacent assemblies.

10.9.9 Local Switching

Provide "Hand-Off-Automatic" switching capability for maintenance operations on traffic gate controllers and brakes and motors for center and tail-lock systems.

Provide "On-Off" switching capability for maintenance operations on span motor and machinery brakes, motor controller panels, and span motors.

Remote switches shall be lockable for security against vandalism.

10.9.10 Service Accessibility

Provide a service area not less than 30 inches wide around system drive components.

10.9.11 Service Lighting and Receptacles

Provide lighting of machinery and electrical rooms as necessary to assure adequate lighting for maintenance of equipment, but with a minimum lighting level of 30 fc [300 Lux]. Provide switching so that personnel may obtain adequate lighting without leaving the work area for switching. Provide master switching from the control tower.

Provide each work area with receptacles for supplementary lighting and power tools such as drills, soldering and welding equipment.

10.9.12 Communications

Provide permanent communications equipment between the control tower and areas requiring routine maintenance (machinery drive areas, power and control panels locations traffic gates and waterway).

10.9.13 Wiring Diagrams

Provide wiring diagrams for each electrical panel inside the panel door. Enclose diagrams in glass or plastic of optical quality.

10.9.14 Diagnostic Reference Guide for Maintenance

Specify diagnostic instrumentation and system fault displays for mechanical and electrical systems. Malfunction information shall be presented on a control system monitor located in the bridge control house. Data shall be automatically recorded. System descriptive information, such as ladder diagrams and wiring data, shall be available on the system memory to enable corrective actions on system malfunctions and to identify areas requiring preventative maintenance.

10.9.15 Navigation Lights

Specify dual lamps and transfer relays with two long-life, 130 volt, brass base, 100W lamps; or LED array of at least 12 particularly bright RED or GREEN LEDs symmetrically arranged around the lens focal point and with a minimum of 50,000 hour life on fenders and center of channel positions to reduce effort required for maintenance of navigation lights.

10.9.16 Working Conditions for Improved Maintainability

When specified by the Department, for either new or rehabilitated bascule bridge design, use enclosed machinery and electrical equipment areas. Air-condition areas containing electronic equipment to protect the equipment as required by the equipment manufacturer and the Mechanical/Electrical Section of the SDO.

10.9.17 Weatherproofing

New and rehabilitated bascule bridge designs shall incorporate details to prevent water drainage and sand deposition into machinery areas. Avoid details that trap dirt and water; provide drain holes, partial enclosures, sloped floors, etc., to minimize trapping of water and soil.

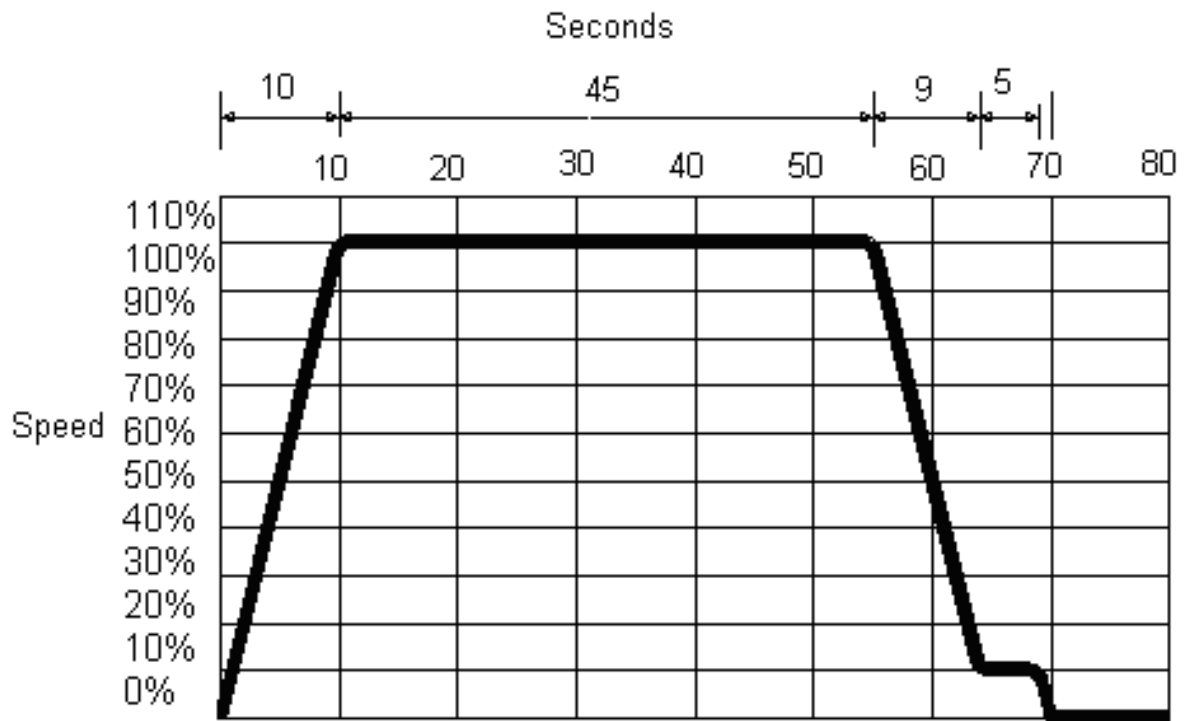


Figure 10-1
Speed Ramp

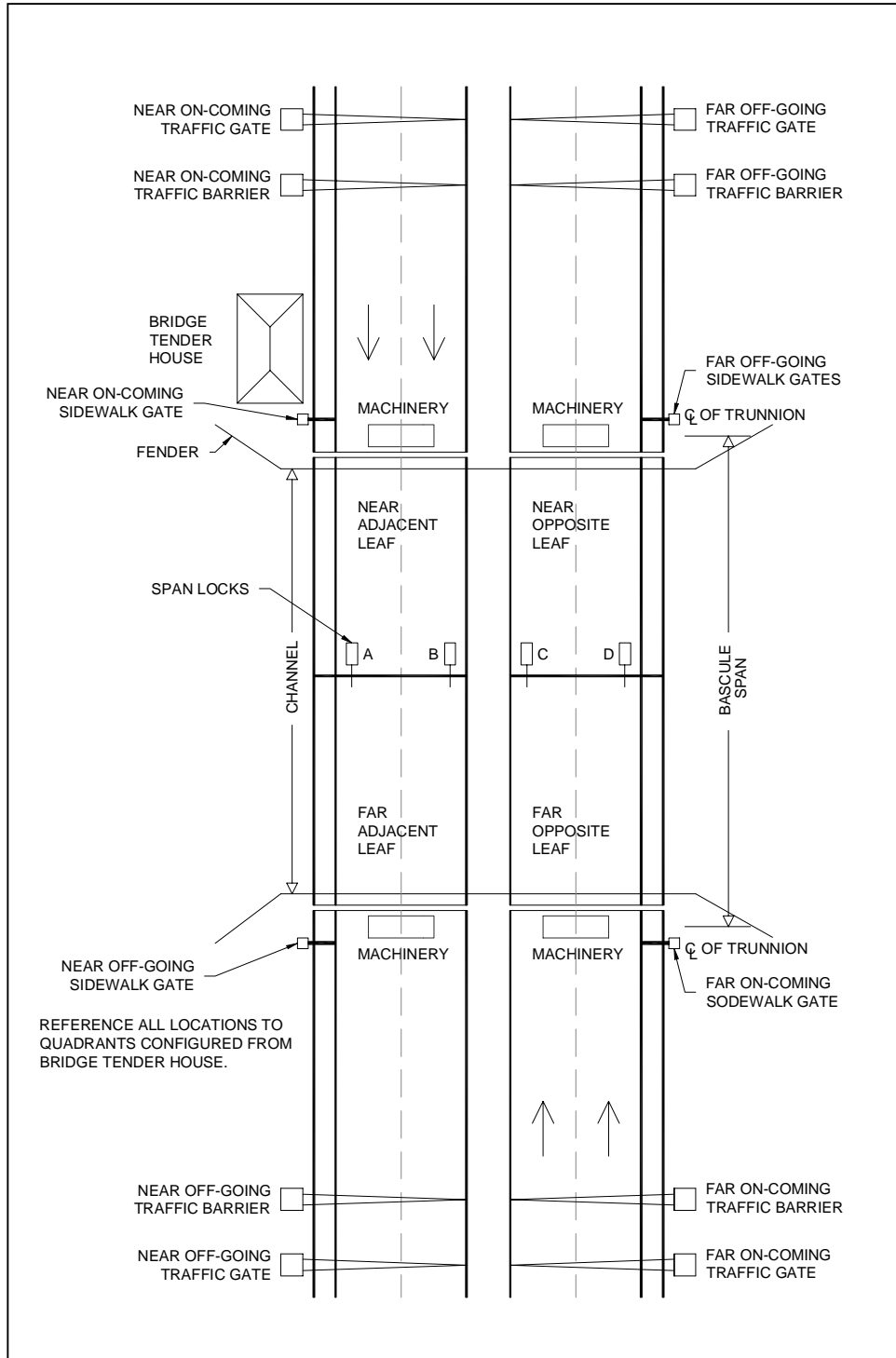


Figure 10-2
MOVABLE BRIDGE TERMINOLOGY

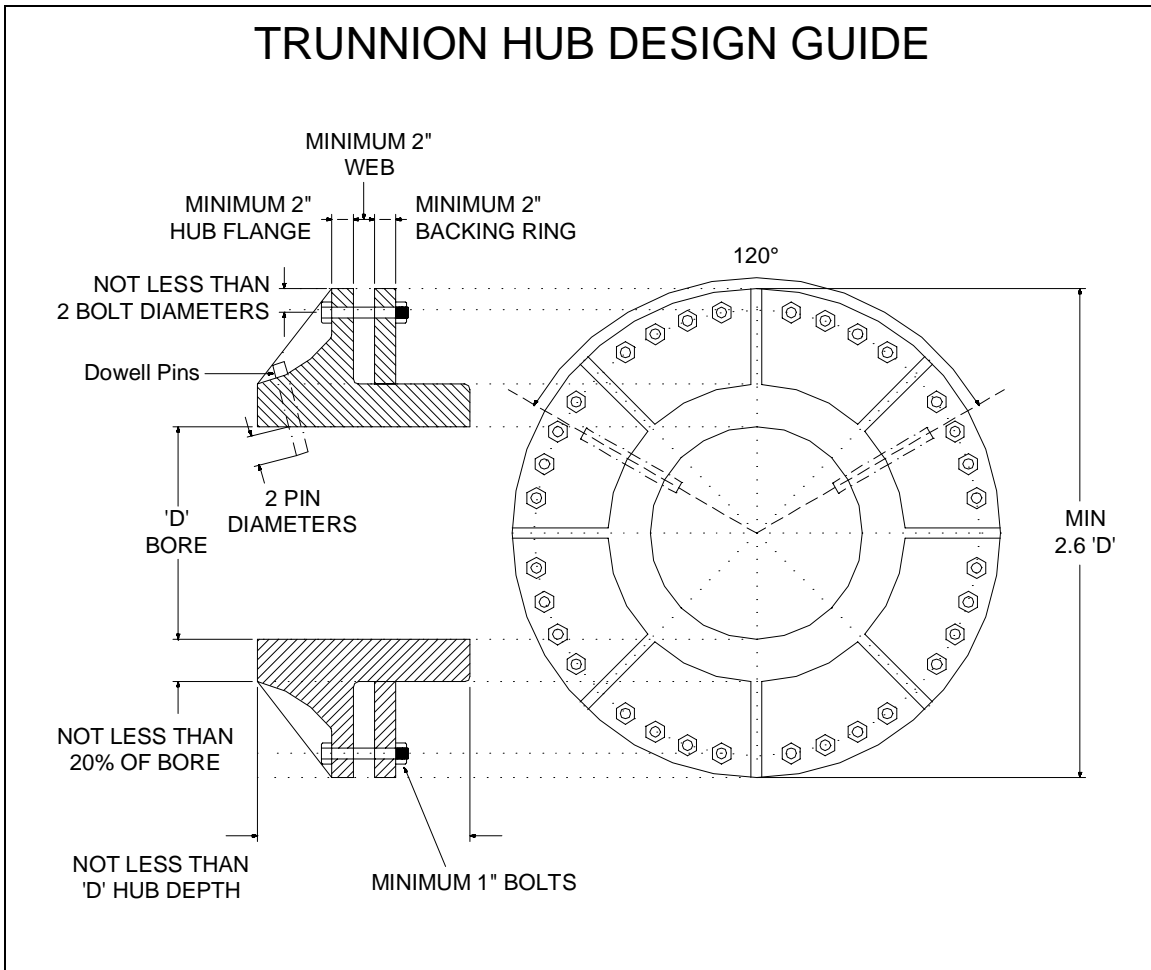


Figure 10-3
Trunnion Hubs

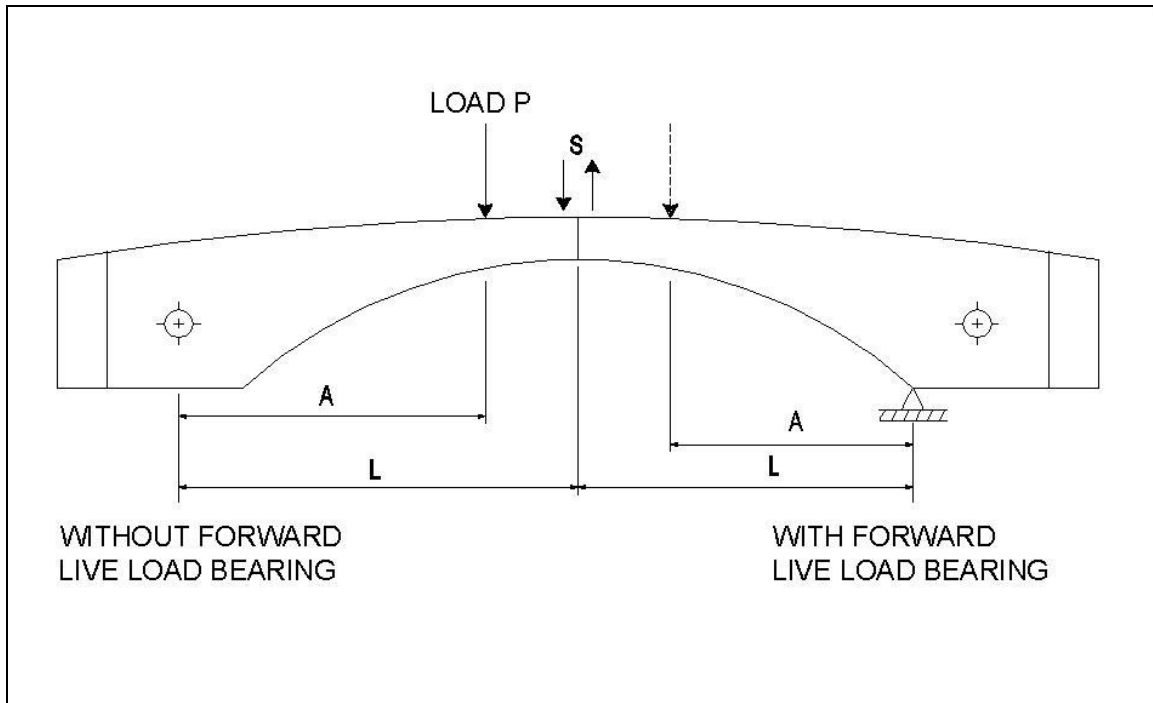


Figure 10-4
Lock Design Criteria

Chapter 11

BRIDGE COST ESTIMATING

11.1 General

A future Structures Design Bulletin will be issued in the first quarter of 2002 publishing unit costs associated with this procedure and reflect recent bid data.

The purpose of the procedure established in this chapter is to bring uniformity to the cost estimating portion of the decision making process. The purpose of the Bridge Development Report is to select the most appropriate structure type for the site under consideration. One of the most important considerations is to select the most cost efficient bridge to fit the unique circumstances at the site. For information purposes, selected project cost data is provided in the appendix.

The cost estimating procedure supplied herein should be used for all bridge structures with the exception of the structure types stated below. This process is not suitable for cost estimating structure types without repeatable bid history including the following bridge types: movable; cable stayed; cast-in-place on form travelers; arches and tunnels. These very unique structures should be cost estimated by the use of fundamental process of developing cost based on labor, materials, equipment and construction time.

This concept for cost estimating is a three-step process. The first step is to utilize the average unit material costs provided herein to develop a cost estimate based on the completed preliminary design. The second step is to adjust the total bridge cost for the unique site conditions by use of the site adjustment factors. The third and final step is to review the computed total bridge cost on a cost per square foot basis and compare this cost against the historical cost range for similar structure types. This three-step process should produce a reasonably accurate cost estimate for structure type selection. It should be noted that an ambitious work program and market conditions could significantly affect the costs shown here. Verify current costs before completing estimate. If the estimated cost is outside the cost range in step three, provide documented reasons for the variance in cost.

11.2 Cost Estimating Process

The applicability of this three-step process is explained in the general section. The process stated below is developed for estimating the bridge cost after the completion of the preliminary design that includes member selection, member size and member reinforcing. This process will develop costs for the bridge superstructure and substructure from beginning to end bridge. Costs for all other

items including but not limited to the following are excluded from the costs provided in this chapter: mobilization, operation costs for existing bridge(s); removal of existing bridge or bridge fenders; lighting; walls; embankment; fenders; approach slabs; maintenance of traffic; load tests; bank stabilization.