

"Y" THE AREA DISTURBED BY CONSTRUCTION VARIES.

DEPTH AND WIDTH VARY SEE CROSS SECTIONS

1:6 FOR FILLS TO 5'  
 1:6 TO EDGE OF CLEAR ZONE & 1:4 FOR FILLS 5' TO 10'  
 1:6 TO EDGE OF CLEAR ZONE & 1:3 FOR FILLS 10' TO 20'  
 1:2 (WITH GUARDRAIL FOR FILLS OVER 20')

**TRAFFIC DATA**

CURRENT YEAR = 1998 AADT = 6800  
 ESTIMATED OPENING YEAR = 2000 AADT = 7600  
 ESTIMATED DESIGN YEAR = 2020 AADT = 12000  
 K = 6% D = 55% T = 2% (24 HOUR)  
 DESIGN HOUR T = 1%  
 DESIGN SPEED = 55 MPH

**TYPICAL SECTION  
 SR 10 (U.S. 90-A)  
 STA. 10+00.00 TO STA. 267+34.89**

**NEW CONSTRUCTION**

OPTIONAL BASE GROUP 8 WITH  
 TYPE SP STRUCTURAL COURSE (TRAFFIC C) (2")  
 AND FRICTION COURSE FC-12.5 (TRAFFIC C) (1/2") (RUBBER)

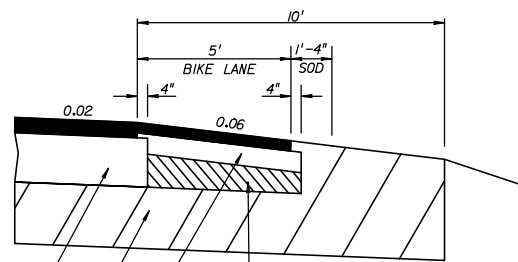
**SHOULDER PAVEMENT**

OPTIONAL BASE GROUP 1 WITH  
 FRICTION COURSE FC-12.5 (TRAFFIC C) (1/2") (RUBBER)

**NOTE:**  
 HEIGHT OF FILL IS THE VERTICAL DISTANCE FROM THE EDGE OF THE OUTSIDE TRAVEL LANE TO TOE OF FRONT SLOPE.

TRAFFIC DATA IS REQUIRED TO BE NOTED FOR CURRENT YEAR, OPENING YEAR AND DESIGN YEAR. POSTED SPEED (MPH) IS OPTIONAL.

FOR STANDARD TYPICAL SECTION NOTES REFER TO EXHIBIT 6-1, THIS CHAPTER.



OPTIONAL BASE  
 TYPE B STABILIZATION  
 OPTIONAL BASE  
 AT THE CONTRACTOR'S OPTION THIS AREA MAY BE CONSTRUCTED OF OPTIONAL BASE MATERIAL AT NO ADDITIONAL COMPENSATION.

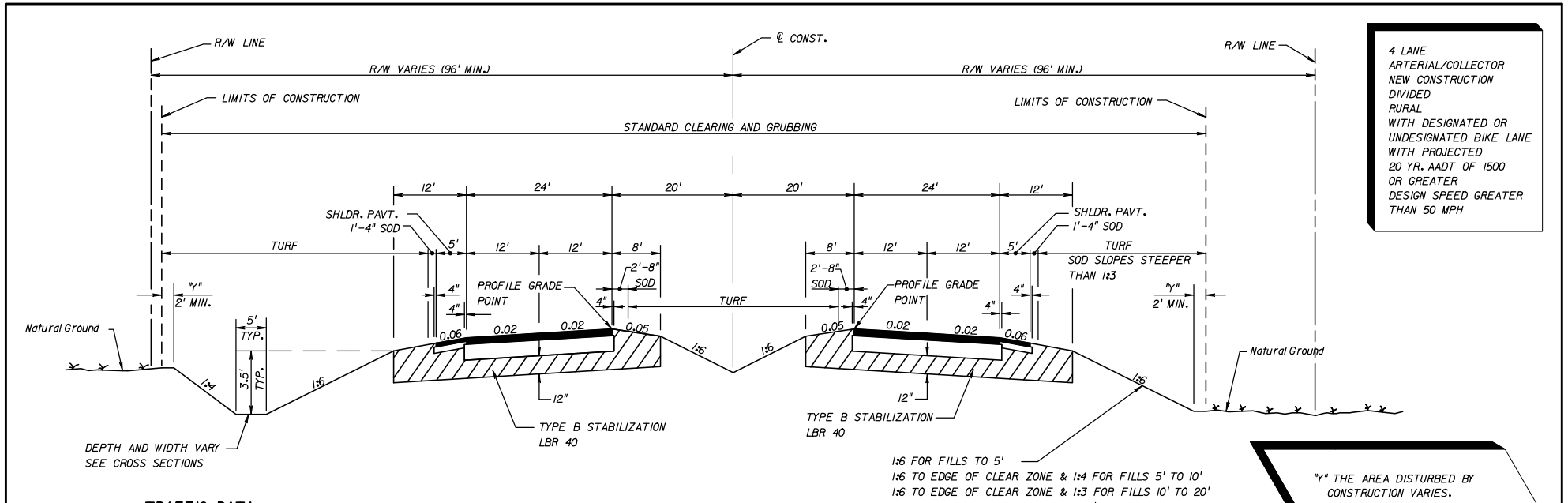
**SHOULDER PAVEMENT DETAIL**

**EXHIBIT TYP-1  
 Date: 1/1/08**

REVISIONS				STATE OF FLORIDA DEPARTMENT OF TRANSPORTATION			TYPICAL SECTION	SHEET NO.
DATE	DESCRIPTION	DATE	DESCRIPTION	ROAD NO.	COUNTY	FINANCIAL PROJECT ID		
				LEON		123456-1-52-01		

#USERS #DATES #TIMES #FILES

NOTICE: THE OFFICIAL RECORD OF THIS SHEET IS THE ELECTRONIC FILE SIGNED AND SEALED UNDER RULE 6805-23.003, F.A.C.



4 LANE  
ARTERIAL/COLLECTOR  
NEW CONSTRUCTION  
DIVIDED  
RURAL  
WITH DESIGNATED OR  
UNDESIGNATED BIKE LANE  
WITH PROJECTED  
20 YR. AADT OF 1500  
OR GREATER  
DESIGN SPEED GREATER  
THAN 50 MPH

**TRAFFIC DATA**

CURRENT YEAR = 1998 AADT = 22300  
 ESTIMATED OPENING YEAR = 2000 AADT = 23300  
 ESTIMATED DESIGN YEAR = 2020 AADT = 51500  
 K = 9% D = 56% T = 10% (24 HOUR)  
 DESIGN HOUR T = 5%  
 DESIGN SPEED = 70 MPH

**TYPICAL SECTION  
SR 500  
STA. 63+65.42 TO STA. 328+65.14**

**NEW CONSTRUCTION**

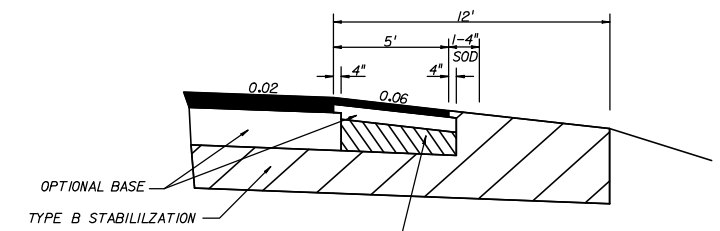
OPTIONAL BASE GROUP 9 WITH  
 TYPE SP STRUCTURAL COURSE (TRAFFIC D) (2")  
 TYPE SP STRUCTURAL COURSE (TRAFFIC D) (1 1/2") (PG 76-22)  
 AND FRICTION COURSE FC-5 (3/4") (PG 76-22)

**SHOULDER PAVEMENT**

OPTIONAL BASE GROUP 1 WITH  
 TYPE SP STRUCTURAL COURSE (TRAFFIC D) (1 1/2") (PG 76-22)  
 AND FRICTION COURSE FC-5 (3/4") (PG 76-22)

1:6 FOR FILLS TO 5'  
 1:6 TO EDGE OF CLEAR ZONE & 1:4 FOR FILLS 5' TO 10'  
 1:6 TO EDGE OF CLEAR ZONE & 1:3 FOR FILLS 10' TO 20'  
 1:2 (WITH GUARDRAIL) FILLS OVER 20'

NOTE:  
 HEIGHT OF FILL IS THE VERTICAL DISTANCE  
 FROM THE EDGE OF THE OUTSIDE TRAVEL LANE  
 TO TOE OF FRONT SLOPE.



AT THE CONTRACTOR'S OPTION  
 THIS AREA MAY BE CONSTRUCTED  
 OF OPTIONAL BASE MATERIAL  
 AT NO ADDITIONAL COMPENSATION

**SHOULDER PAVEMENT DETAIL**

**EXHIBIT TYP-2**  
 Date: 1/1/08

DESIGNATED BIKE LANES SHALL BE LABELED  
 ON TYPICAL. UNDESIGNATED BIKE LANES  
 SHOULD NOT BE LABELED ON TYPICAL.

TRAFFIC DATA IS REQUIRED TO BE  
 NOTED FOR CURRENT YEAR,  
 OPENING YEAR, AND DESIGN YEAR.  
 POSTED SPEED (MPH) IS OPTIONAL.

FOR STANDARD TYPICAL SECTION NOTES  
 REFER TO EXHIBIT 6-1, THIS CHAPTER.

REVISIONS				STATE OF FLORIDA DEPARTMENT OF TRANSPORTATION			SHEET NO.
DATE	DESCRIPTION	DATE	DESCRIPTION	ROAD NO.	COUNTY	FINANCIAL PROJECT ID	
				10	LEON	123456-1-52-01	

**TYPICAL SECTION**

NOTICE: THE OFFICIAL RECORD OF THIS SHEET IS THE ELECTRONIC FILE SIGNED AND SEALED UNDER RULE 6805-23.003, F.A.C.

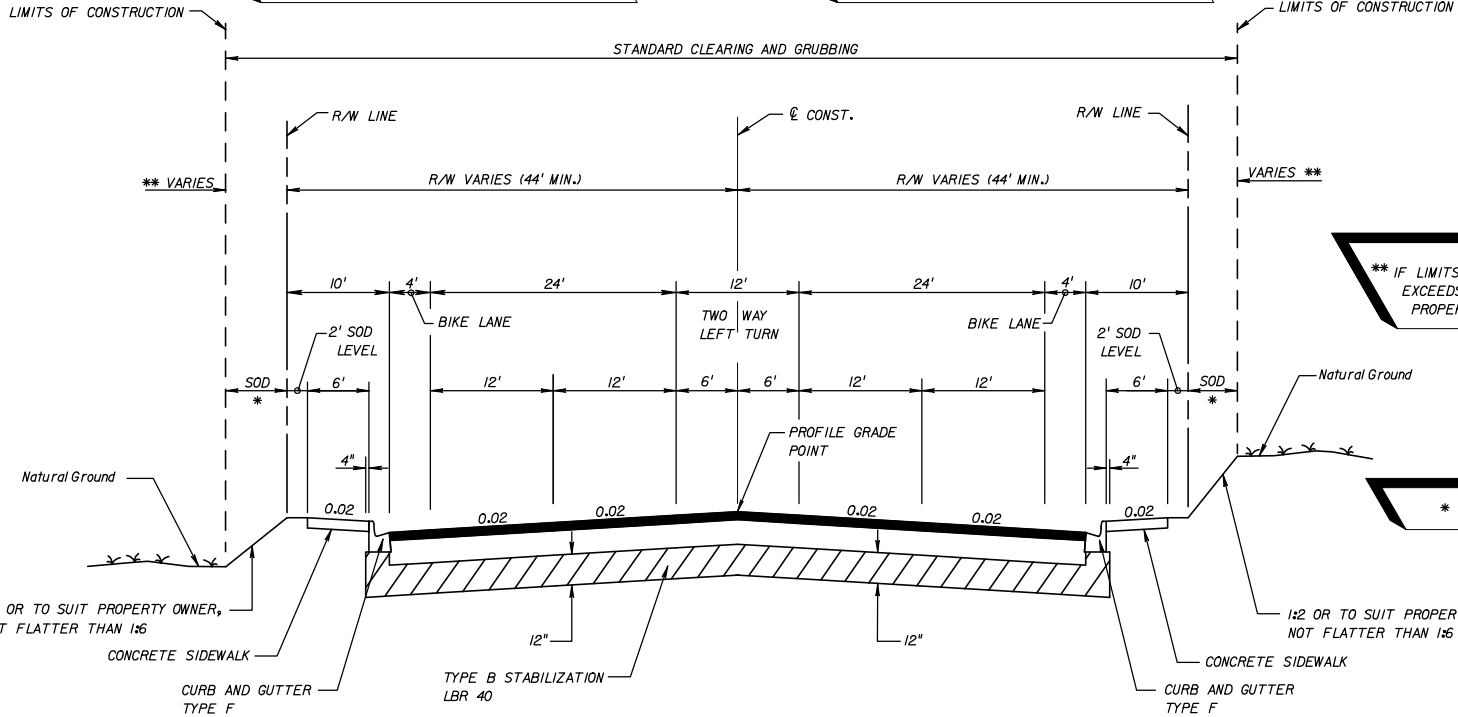
DESIGNATED BIKE LANES SHALL BE LABELED ON TYPICAL. UNDESIGNATED BIKE LANES SHOULD NOT BE LABELED ON TYPICAL.

5-LANE SECTIONS ARE TO INCLUDE SECTIONS OF RAISED OR RESTRICTIVE MEDIAN. SEE PPM TABLE 2.2.1.

5-LANE ARTERIAL/COLLECTOR NEW CONSTRUCTION UNDIVIDED URBAN WITH DESIGNATED OR UNDESIGNATED BIKE LANE MINIMUM RIGHT OF WAY DESIGN SPEED 40 MPH OR LESS WITH PROJECTED 20 YR. AADT OF 1500 OR GREATER

\*\* IF LIMITS OF CONSTRUCTION EXCEEDS RIGHT OF WAY, A PROPERTY AGREEMENT IS REQUIRED.

\* TURF OR SOD



**TRAFFIC DATA**

CURRENT YEAR = 1998 AADT = 9900  
 ESTIMATED OPENING YEAR = 2000 AADT = 10600  
 ESTIMATED DESIGN YEAR = 2020 AADT = 14000  
 K = 6% D = 55% T = 2% (24 HOUR)  
 DESIGN HOUR T = 1%  
 DESIGN SPEED = 40 MPH

**TYPICAL SECTION  
 SR 00 (DUVAL STREET)  
 STA. 252+12.00 TO STA. 323+19.42**

**NEW CONSTRUCTION**

OPTIONAL BASE GROUP 8 WITH  
 TYPE SP STRUCTURAL COURSE (TRAFFIC B) (1 1/2")  
 AND FRICTION COURSE FC-12.5 (TRAFFIC B) (1 1/2") (RUBBER)

FOR STANDARD TYPICAL SECTION NOTES REFER TO EXHIBIT 6-1, THIS CHAPTER.

**EXHIBIT TYP-3**  
 Date: 1/1/08

TRAFFIC DATA IS REQUIRED TO BE NOTED FOR CURRENT YEAR, OPENING YEAR AND DESIGN YEAR. POSTED SPEED (MPH) IS OPTIONAL.

REVISIONS		STATE OF FLORIDA DEPARTMENT OF TRANSPORTATION			SHEET NO.
DATE	DESCRIPTION	DATE	DESCRIPTION	FINANCIAL PROJECT ID	
				10 LEON 123456-1-52-01	

**TYPICAL SECTION**

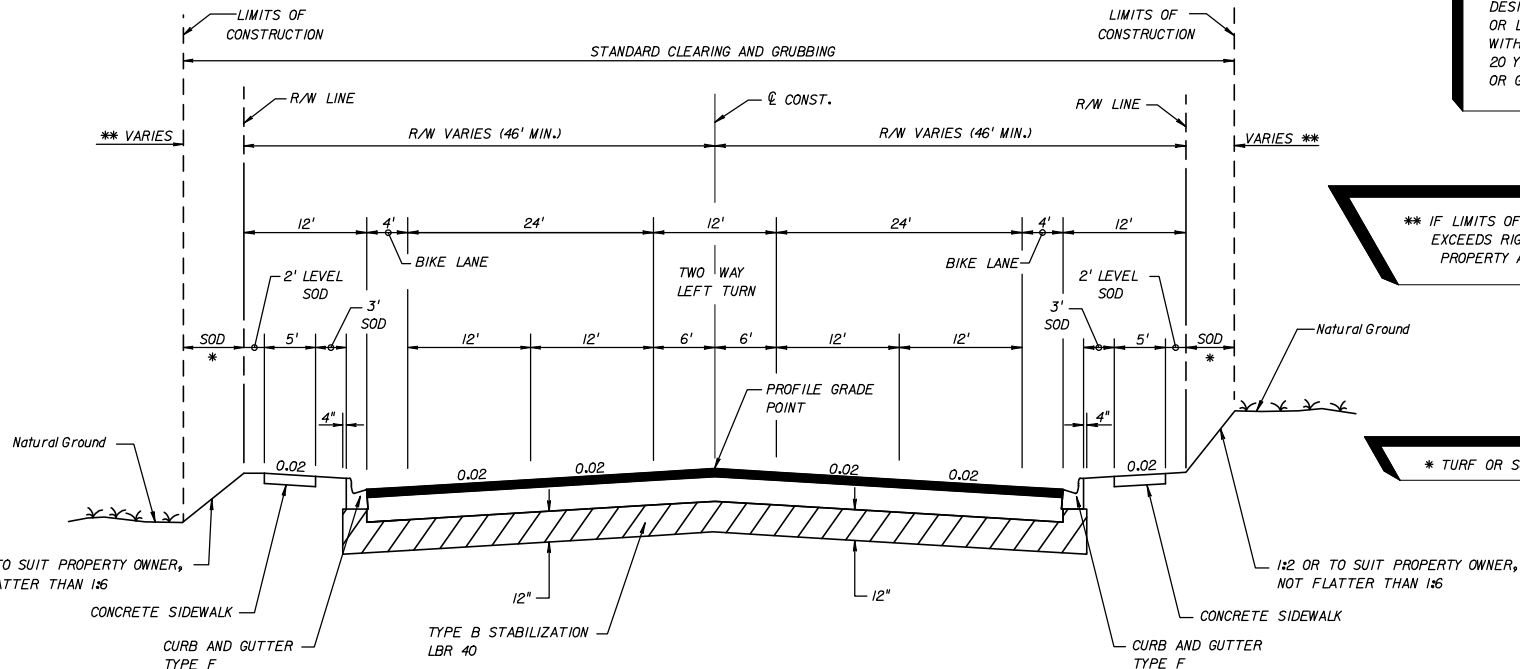
#USERS #DATES #TIMES #FILES

NOTICE: THE OFFICIAL RECORD OF THIS SHEET IS THE ELECTRONIC FILE SIGNED AND SEALED UNDER RULE 6805-23.003, F.A.C.

DESIGNATED BIKE LANES SHALL BE LABELED ON TYPICAL. UNDESIGNATED BIKE LANES SHOULD NOT BE LABELED ON TYPICAL.

5-LANE SECTIONS ARE TO INCLUDE SECTIONS OF RAISED OR RESTRICTIVE MEDIAN. SEE PPM TABLE 2.2.J.

5-LANE ARTERIAL/COLLECTOR NEW CONSTRUCTION UNDIVIDED URBAN WITH DESIGNATED OR UNDESIGNATED BIKE LANE DESIGN SPEED 40 MPH OR LESS WITH PROJECTED 20 YR. AADT OF 1500 OR GREATER



\*\* IF LIMITS OF CONSTRUCTION EXCEEDS RIGHT OF WAY, A PROPERTY AGREEMENT IS REQUIRED.

\* TURF OR SOD

1:2 OR TO SUIT PROPERTY OWNER, NOT FLATTER THAN 1:6

1:2 OR TO SUIT PROPERTY OWNER, NOT FLATTER THAN 1:6

**TRAFFIC DATA**

CURRENT YEAR = 1998 AADT = 20819  
 ESTIMATED OPENING YEAR = 2003 AADT = 24100  
 ESTIMATED DESIGN YEAR = 2023 AADT = 24900  
 K = 9% D = 60% T = 2% (24 HOUR)  
 DESIGN HOUR T = 1%  
 DESIGN SPEED = 40 MPH

TRAFFIC DATA IS REQUIRED TO BE NOTED FOR CURRENT YEAR, OPENING YEAR AND DESIGN YEAR. POSTED SPEED (MPH) IS OPTIONAL.

**TYPICAL SECTION  
 SR 00 (MATTHEWS STREET)  
 STA. 202+42.00 TO STA. 263+29.68**

**NEW CONSTRUCTION**

OPTIONAL BASE GROUP 8 WITH  
 TYPE SP STRUCTURAL COURSE (TRAFFIC B) (1/2")  
 AND FRICTION COURSE FC-12.5 (TRAFFIC B) (1/2") (RUBBER)

FOR STANDARD TYPICAL SECTION NOTES REFER TO EXHIBIT 6-1, THIS CHAPTER.

EXHIBIT TYP-4  
 Date: 1/1/08

REVISIONS		STATE OF FLORIDA DEPARTMENT OF TRANSPORTATION			SHEET NO.
DATE	DESCRIPTION	DATE	DESCRIPTION	FINANCIAL PROJECT ID	
				10 LEON 123456-1-52-01	

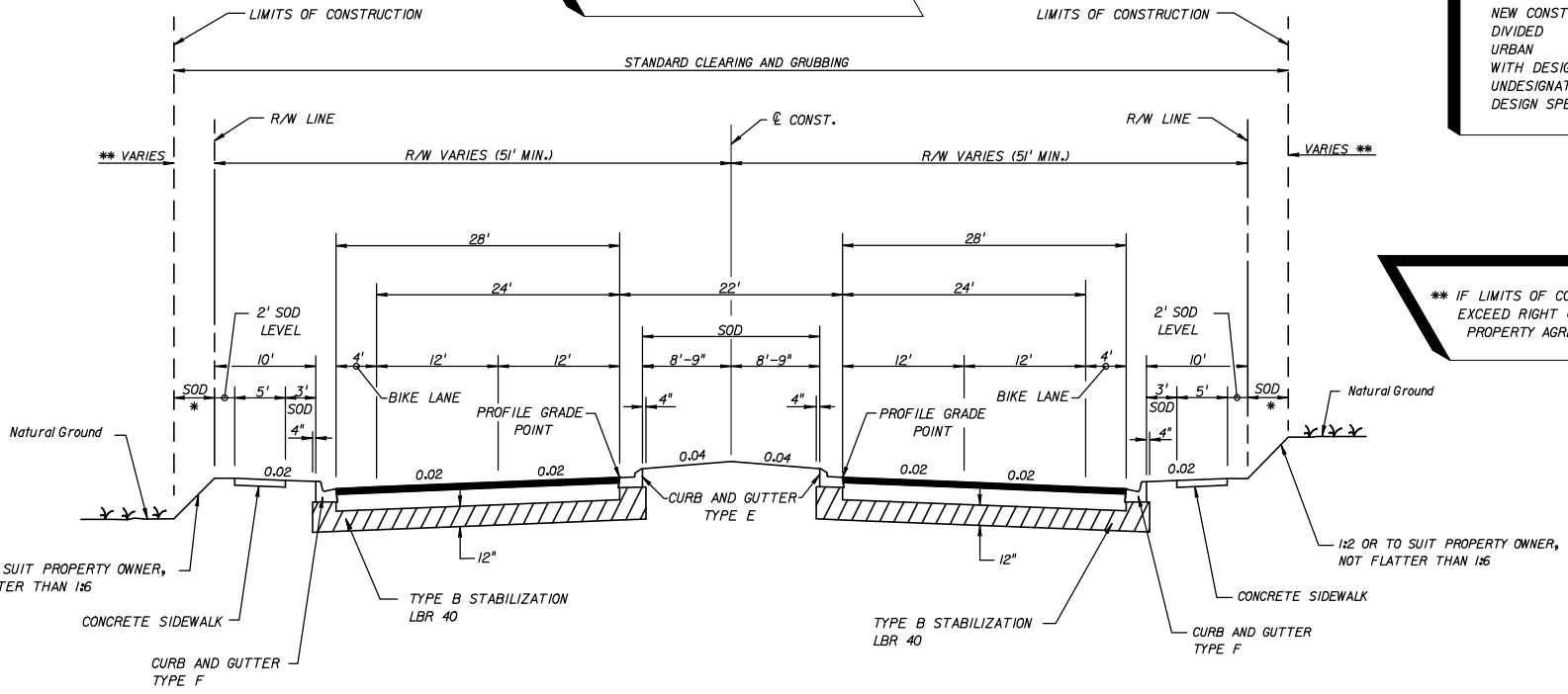
**TYPICAL SECTION**

#USERS #DATES #TIMES #FILES

NOTICE: THE OFFICIAL RECORD OF THIS SHEET IS THE ELECTRONIC FILE SIGNED AND SEALED UNDER RULE 6805-23.003, F.A.C.

DESIGNATED BIKE LANES SHALL BE LABELED ON TYPICAL. UNDESIGNATED BIKE LANES SHOULD NOT BE LABELED ON TYPICAL.

4-LANE ARTERIAL NEW CONSTRUCTION DIVIDED URBAN WITH DESIGNATED OR UNDESIGNATED BIKE LANE DESIGN SPEED 45 MPH OR LESS



\*\* IF LIMITS OF CONSTRUCTION EXCEED RIGHT OF WAY, A PROPERTY AGREEMENT IS REQUIRED.

**TRAFFIC DATA**  
 CURRENT YEAR = 1998 AADT = 22800  
 ESTIMATED OPENING YEAR = 2000 AADT = 25800  
 ESTIMATED DESIGN YEAR = 2020 AADT = 30600  
 K = 6% D = 55% T = 2% (24 HOUR)  
 DESIGN HOUR T = 1%  
 DESIGN SPEED = 45 MPH

**TYPICAL SECTION  
 SR 00 (WILSON STREET)  
 STA. 98+40.00 TO STA. 202+33.00**

**NEW CONSTRUCTION**  
 OPTIONAL BASE GROUP 9 WITH  
 TYPE SP STRUCTURAL COURSE (TRAFFIC B)(1 1/2")  
 AND FRICTION COURSE FC-12.5 (TRAFFIC B)(1 1/2")(RUBBER)

\* TURF OR SOD

FOR STANDARD TYPICAL SECTION NOTES REFER TO EXHIBIT 6-1, THIS CHAPTER.

TRAFFIC DATA IS REQUIRED TO BE NOTED FOR CURRENT YEAR, OPENING YEAR AND DESIGN YEAR. POSTED SPEED (MPH) IS OPTIONAL.

**EXHIBIT TYP-5**  
 Date: 1/1/08

REVISIONS				STATE OF FLORIDA DEPARTMENT OF TRANSPORTATION			SHEET NO.
DATE	DESCRIPTION	DATE	DESCRIPTION	ROAD NO.	COUNTY	FINANCIAL PROJECT ID	
				10	LEON	123456-1-52-01	<b>TYPICAL SECTION</b>

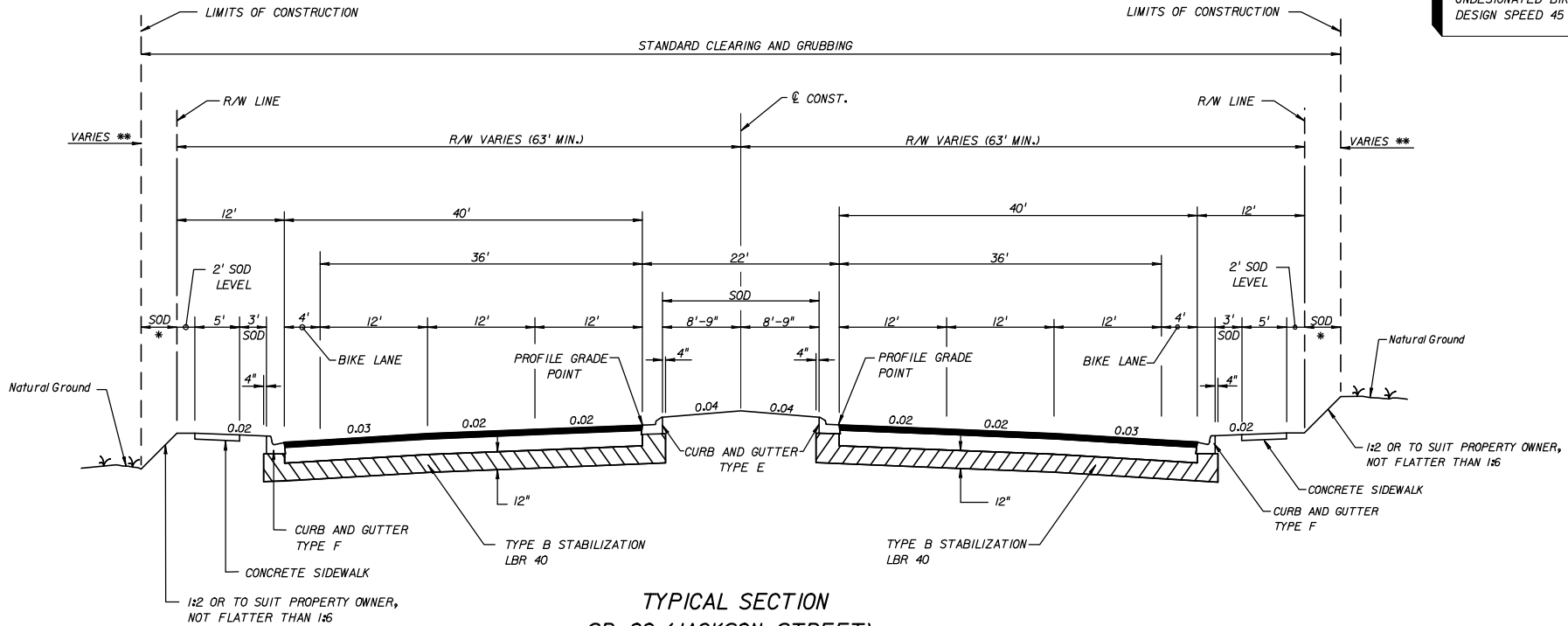
USER# STIME# \$FILES

NOTICE: THE OFFICIAL RECORD OF THIS SHEET IS THE ELECTRONIC FILE SIGNED AND SEALED UNDER RULE 6805-23.003, F.A.C.

DESIGNATED BIKE LANES SHALL BE LABELED ON TYPICAL. UNDESIGNATED BIKE LANES SHOULD NOT BE LABELED ON TYPICAL.

\*\* IF LIMITS OF CONSTRUCTION EXCEED RIGHT OF WAY, A PROPERTY AGREEMENT IS REQUIRED.

6-LANE ARTERIAL NEW CONSTRUCTION DIVIDED URBAN WITH DESIGNATED OR UNDESIGNATED BIKE LANE DESIGN SPEED 45 MPH OR LESS



TYPICAL SECTION  
SR 00 (JACKSON STREET)  
STA. 101+21.00 TO STA. 221+44.00

NEW CONSTRUCTION

OPTIONAL BASE GROUP 9 WITH  
TYPE SP STRUCTURAL COURSE (TRAFFIC C) (2")  
AND FRICTION COURSE FC-12.5 (TRAFFIC C) (1 1/2") (RUBBER)

TRAFFIC DATA

CURRENT YEAR = 1998 AADT = 22800  
ESTIMATED OPENING YEAR = 2000 AADT = 25800  
ESTIMATED DESIGN YEAR = 2020 AADT = 30600  
K = 6% D = 55% T = 2% (24 HOUR)  
DESIGN HOUR T = 1%  
DESIGN SPEED = 45 MPH

TRAFFIC DATA IS REQUIRED TO BE NOTED FOR CURRENT YEAR, OPENING YEAR AND DESIGN YEAR.

\* TURF OR SOD

FOR STANDARD TYPICAL SECTION NOTES REFER TO EXHIBIT 6-1, THIS CHAPTER.

EXHIBIT TYP-6  
Date: 1/1/08

REVISIONS		STATE OF FLORIDA DEPARTMENT OF TRANSPORTATION			SHEET NO.
DATE	DESCRIPTION	DATE	DESCRIPTION	FINANCIAL PROJECT ID	
				10 LEON 123456-1-52-01	TYPICAL SECTION

#USERS

#DATES

#TIMES

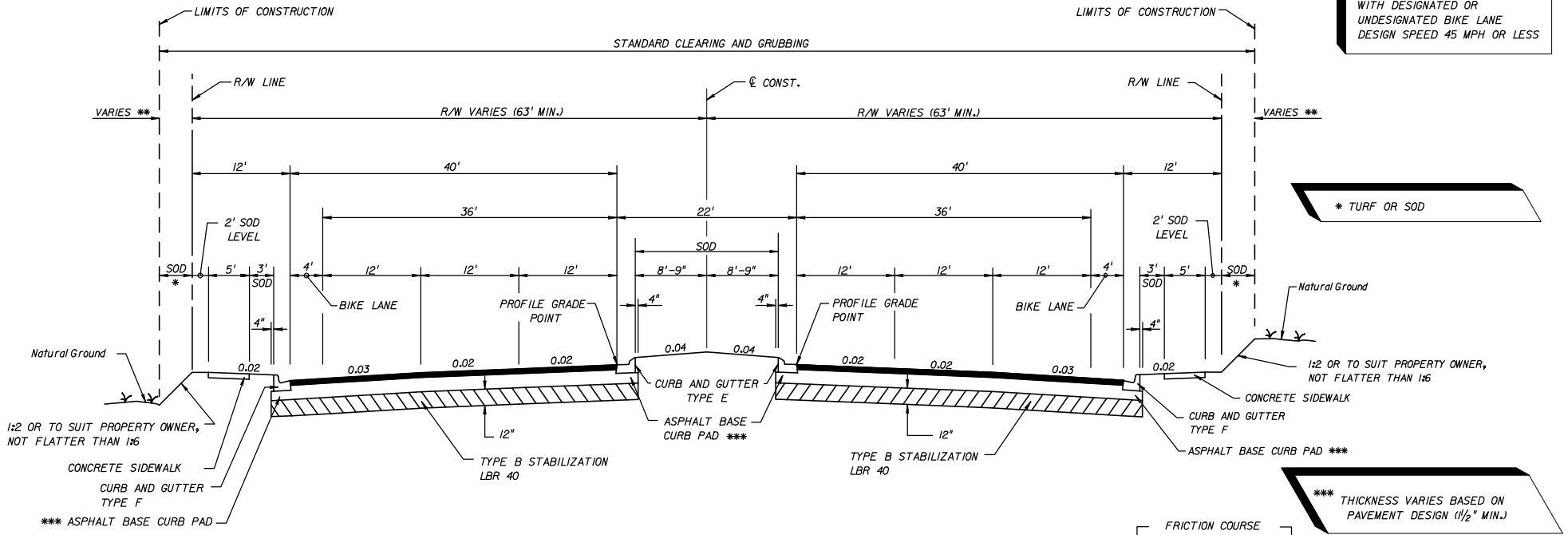
#FILES

NOTICE: THE OFFICIAL RECORD OF THIS SHEET IS THE ELECTRONIC FILE SIGNED AND SEALED UNDER RULE 6805-23.003, F.A.C.

DESIGNATED BIKE LANES SHALL BE LABELED ON TYPICAL. UNDESIGNATED BIKE LANES SHOULD NOT BE LABELED ON TYPICAL.

\*\* IF LIMITS OF CONSTRUCTION EXCEED RIGHT OF WAY, A PROPERTY AGREEMENT IS REQUIRED.

6-LANE ARTERIAL NEW CONSTRUCTION DIVIDED URBAN WITH DESIGNATED OR UNDESIGNATED BIKE LANE DESIGN SPEED 45 MPH OR LESS



\* TURF OR SOD

1:2 OR TO SUIT PROPERTY OWNER, NOT FLATTER THAN 1:6  
CONCRETE SIDEWALK  
CURB AND GUTTER TYPE F  
\*\*\* ASPHALT BASE CURB PAD

1:2 OR TO SUIT PROPERTY OWNER, NOT FLATTER THAN 1:6  
CONCRETE SIDEWALK  
CURB AND GUTTER TYPE F  
ASPHALT BASE CURB PAD \*\*\*

\*\*\* THICKNESS VARIES BASED ON PAVEMENT DESIGN (1/2" MIN.)

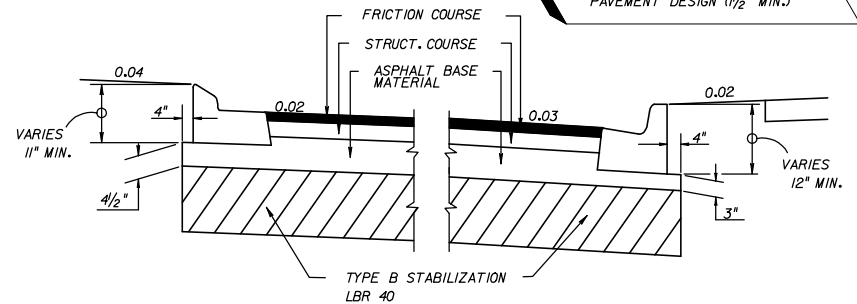
**TRAFFIC DATA**

CURRENT YEAR = 1998 AADT = 22800  
ESTIMATED OPENING YEAR = 2000 AADT = 25800  
ESTIMATED DESIGN YEAR = 2020 AADT = 30600  
K = 6% D = 55% T = 2% (24 HOUR)  
DESIGN HOUR T = 1%  
DESIGN SPEED = 45 MPH

**TYPICAL SECTION  
SR 00 (JACKSON STREET)  
STA. 101+21.00 TO STA. 221+44.00**

**NEW CONSTRUCTION**

OPTIONAL BASE GROUP 9 (TYPE B-12.5 ONLY), WITH TYPE SP STRUCTURAL COURSE (TRAFFIC C) (3") AND FRICTION COURSE FC-12.5 (TRAFFIC C) (1/2") (RUBBER)



DETAIL OF ASPHALT BASE CURB PAD

FOR STANDARD TYPICAL SECTION NOTES REFER TO EXHIBIT 6-1, THIS CHAPTER

TRAFFIC DATA IS REQUIRED TO BE NOTED FOR CURRENT YEAR, OPENING YEAR AND DESIGN YEAR.

**EXHIBIT TYP-6A**  
Date: 1/1/08

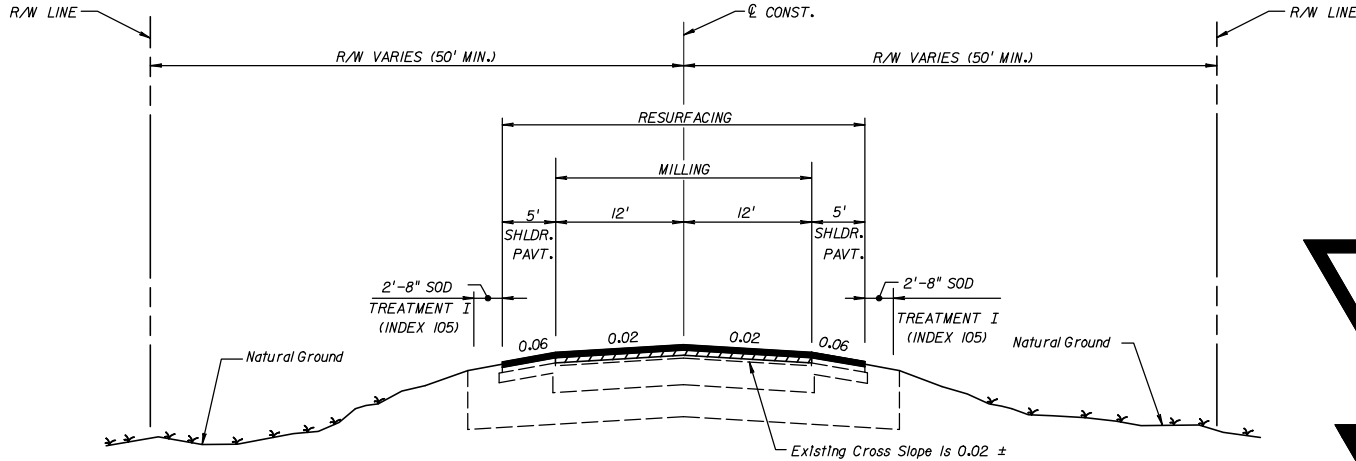
REVISIONS		STATE OF FLORIDA DEPARTMENT OF TRANSPORTATION			SHEET NO.
DATE	DESCRIPTION	DATE	DESCRIPTION	FINANCIAL PROJECT ID	
				10 LEON 123456-1-52-01	TYPICAL SECTION

#USERS #DATES #TIMES #FILES

NOTICE: THE OFFICIAL RECORD OF THIS SHEET IS THE ELECTRONIC FILE SIGNED AND SEALED UNDER RULE 6805-23.003, F.A.C.

DESIGNATED BIKE LANES SHALL BE LABELED ON TYPICAL, UNDESIGNATED BIKE LANES SHOULD NOT BE LABELED ON TYPICAL.

EXISTING 2-LANE (2-WAY) ARTERIAL/COLLECTOR MILLING AND RESURFACING NO CROSS SLOPE CORRECTION REQUIRED UNDIVIDED RURAL (WITH DESIGNATED OR UNDESIGNATED BIKE LANE EXISTING) WITH PROJECTED 20 YR. AADT OF 1500 OR GREATER



SOME PROJECTS MAY REQUIRE SHOULDER WORK. WHEN REQUIRED THIS SHOULD BE IDENTIFIED ON THE TYPICAL SECTION SHEET.

FOR STANDARD TYPICAL SECTION NOTES REFER TO EXHIBIT 6-1, THIS CHAPTER.

**TRAFFIC DATA**  
**STA. 10+53.00 TO STA. 130+77.00**

CURRENT YEAR = 1998 AADT = 9670  
ESTIMATED OPENING YEAR = 2000 AADT = 11900  
ESTIMATED DESIGN YEAR = 2010 AADT = 20200  
K = 10% D = 60% T = 7% (24 HOUR)  
DESIGN HOUR T = 3%  
DESIGN SPEED = 55 MPH

**TYPICAL SECTION**  
**SR 00**  
**STA. 10+53.00 TO STA. 130+77.00**  
**STA. 206+82.28 TO STA. 368+41.21**

**STA. 206+82.28 TO 368+41.21**

CURRENT YEAR = 1998 AADT = 6835  
ESTIMATED OPENING YEAR = 2000 AADT = 8600  
ESTIMATED DESIGN YEAR = 2010 AADT = 15100  
K = 10% D = 65% T = 7% (24 HOUR)  
DESIGN HOUR T = 3%  
DESIGN SPEED = 55 MPH

**MILLING**

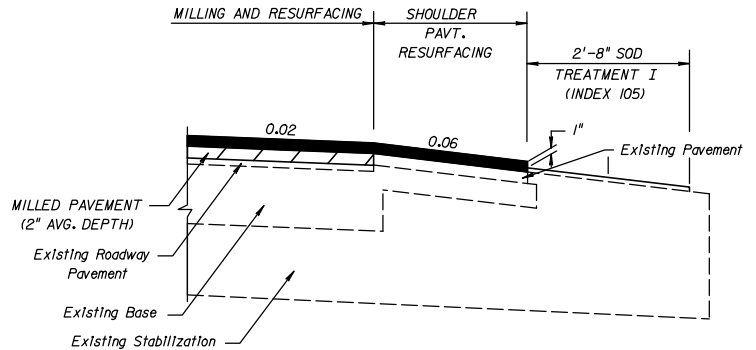
MILL EXISTING ASPHALT PAVEMENT (2" AVG. DEPTH)

**RESURFACING**

TYPE SP STRUCTURAL COURSE (TRAFFIC B) (2")  
AND FRICTION COURSE FC-9.5 (TRAFFIC B) (1") (RUBBER)

**SHOULDER PAVEMENT RESURFACING**

FRICTION COURSE FC-9.5 (TRAFFIC B) (1") (RUBBER)



**SHOULDER PAVEMENT DETAIL**

TRAFFIC DATA IS REQUIRED TO BE NOTED FOR CURRENT YEAR, OPENING YEAR AND DESIGN YEAR.

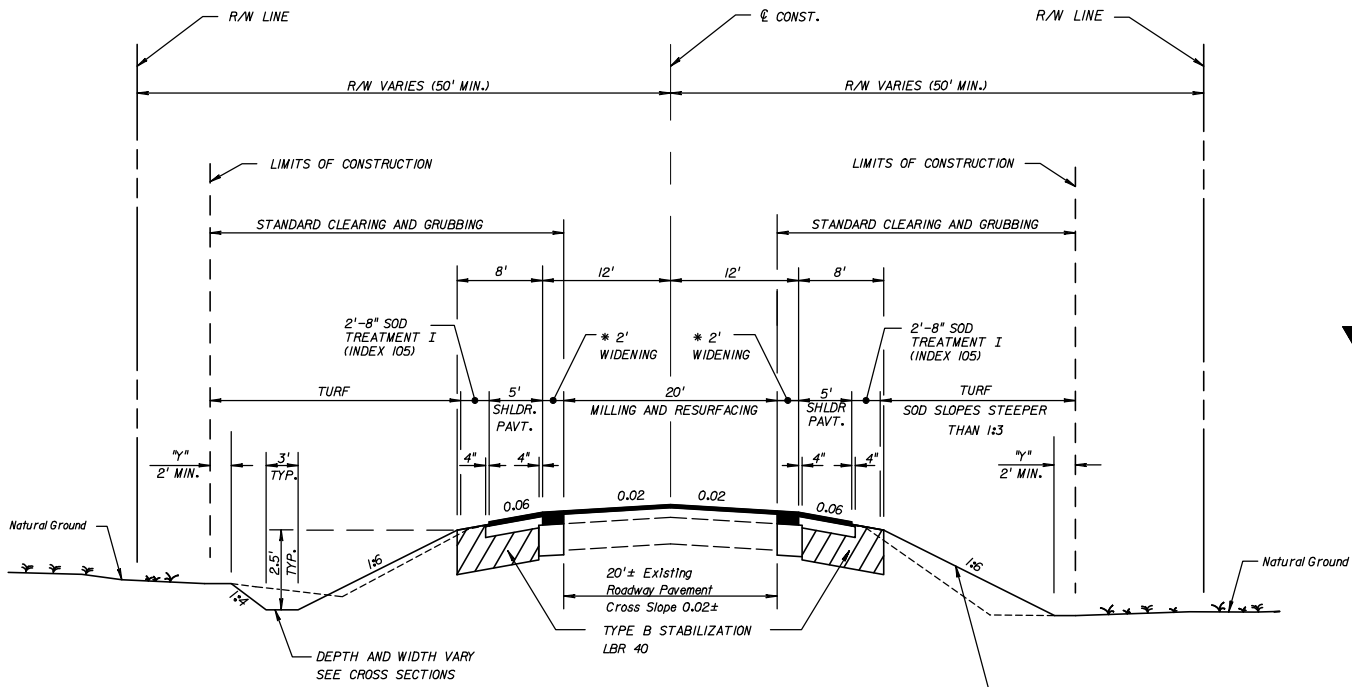
**EXHIBIT TYP-7**  
Date: 1/1/08

REVISIONS				STATE OF FLORIDA DEPARTMENT OF TRANSPORTATION			TYPICAL SECTION	SHEET NO.
DATE	DESCRIPTION	DATE	DESCRIPTION	ROAD NO.	COUNTY	FINANCIAL PROJECT ID		
				10	LEON	123456-1-52-01		

#USERS #DATES #TIMES #FILES

NOTICE: THE OFFICIAL RECORD OF THIS SHEET IS THE ELECTRONIC FILE SIGNED AND SEALED UNDER RULE 6805-23.003, F.A.C.





EXISTING  
2-LANE (2-WAY)  
ARTERIAL/COLLECTOR  
WIDENING  
MILLING AND RESURFACING  
UNDIVIDED  
RURAL  
CONST. 5' SHOULDER  
PAVEMENT OR BIKE LANE  
WITH PROJECTED 20 YR.  
AADT OF 1500 OR GREATER  
DESIGN SPEED GREATER  
THAN 50 MPH

DESIGNATED BIKE LANES SHALL BE LABELED  
ON TYPICAL. UNDESIGNATED BIKE LANES  
SHOULD NOT BE LABELED ON TYPICAL.

7" THE AREA DISTURBED BY CONSTRUCTION VARIES.

1:6 FOR FILLS TO 5'  
1:6 TO EDGE OF CLEAR ZONE & 1:4 FOR FILLS 5' TO 10'  
1:6 TO EDGE OF CLEAR ZONE & 1:3 FOR FILLS 10' TO 20'  
1:2 (WITH GUARDRAIL) FILLS OVER 20'

NOTE:  
HEIGHT OF FILL IS THE VERTICAL DISTANCE  
FROM THE EDGE OF THE OUTSIDE TRAVEL LANE  
TO TOE OF FRONT SLOPE.

FOR STANDARD TYPICAL SECTION NOTES  
REFER TO EXHIBIT 6-1, THIS CHAPTER.

\* SEE SHEET 2 OF 2 FOR WIDENING  
AND SHOULDER PAVEMENT DETAIL

EXHIBIT TYP-8  
Date: 1/1/08  
SHEET 1 OF 2

**TRAFFIC DATA**  
**STA. 20+25.00 TO STA. 48+16.56**  
CURRENT YEAR = 1998 AADT = 8700  
ESTIMATED OPENING YEAR = 2000 AADT = 9200  
ESTIMATED DESIGN YEAR = 2020 AADT = 23600  
K = 10% D = 56% T = 5% (24 HOUR)  
DESIGN HOUR T = 3%  
DESIGN SPEED = 55 MPH

**STA. 57+82.78 TO STA. 93+41.21**  
CURRENT YEAR = 1998 AADT = 6835  
ESTIMATED OPENING YEAR = 2000 AADT = 8600  
ESTIMATED DESIGN YEAR = 2020 AADT = 17200  
K = 10% D = 65% T = 7% (24 HOUR)  
DESIGN HOUR T = 3%  
DESIGN SPEED = 55 MPH

TRAFFIC DATA IS REQUIRED TO BE NOTED FOR  
CURRENT YEAR, OPENING YEAR AND DESIGN YEAR.

**TYPICAL SECTION**  
**SR 000**  
**STA. 20+25.00 TO STA. 48+16.56**  
**STA. 57+82.78 TO STA. 93+41.21**

---

**MILLING**  
MILL EXISTING ASPHALT PAVEMENT (2" AVG. DEPTH)

---

**RESURFACING**  
TYPE SP STRUCTURAL COURSE (TRAFFIC C) (1 1/2")  
AND FRICTION COURSE FC-12.5 (TRAFFIC C) (1 1/2") (RUBBER)

---

**WIDENING**  
OPTIONAL BASE GROUP II WITH  
TYPE SP STRUCTURAL COURSE (TRAFFIC C) (3")  
AND FRICTION COURSE FC-12.5 (TRAFFIC C) (1 1/2") (RUBBER)

REVISIONS			
DATE	DESCRIPTION	DATE	DESCRIPTION

<b>STATE OF FLORIDA</b> <b>DEPARTMENT OF TRANSPORTATION</b>		
ROAD NO.	COUNTY	FINANCIAL PROJECT ID
10	LEON	123456-1-52-01

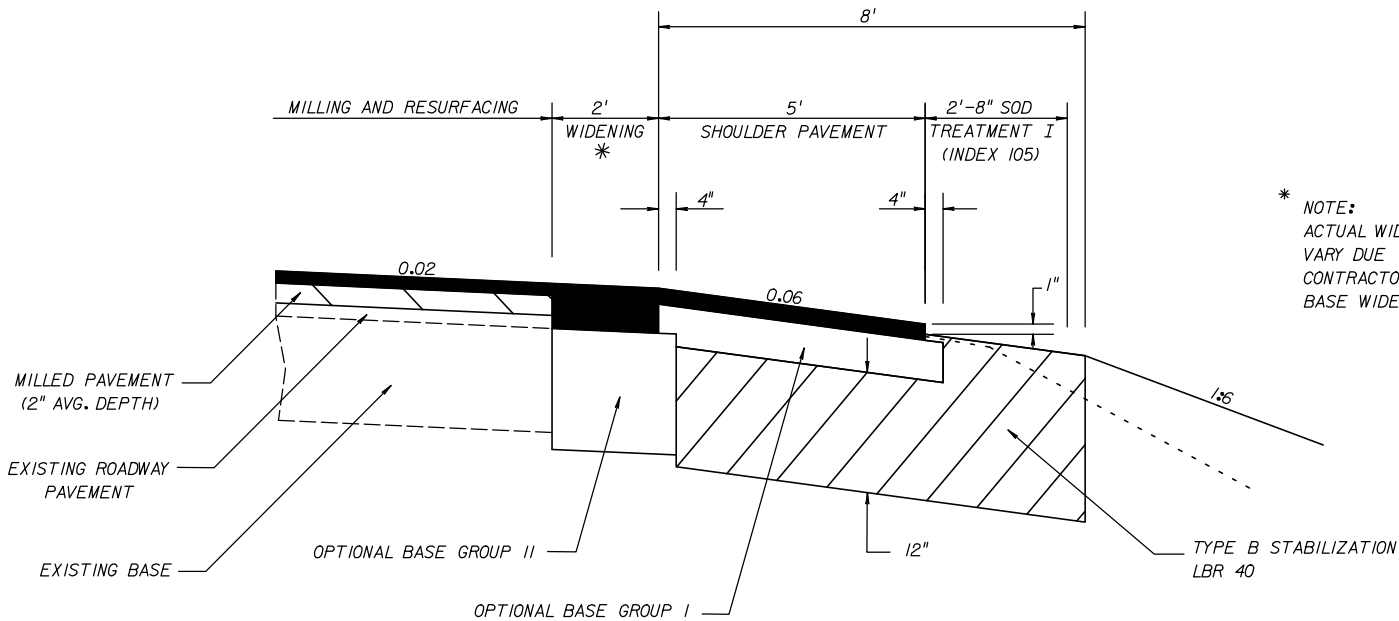
**TYPICAL SECTION**

SHEET NO.

NOTICE: THE OFFICIAL RECORD OF THIS SHEET IS THE ELECTRONIC FILE SIGNED AND SEALED UNDER RULE 6805-23.003, F.A.C.

DESIGNATED BIKE LANES SHALL BE LABELED ON TYPICAL. UNDESIGNATED BIKE LANES SHOULD NOT BE LABELED ON TYPICAL.

THE NEED FOR STABILIZATION IN THE SHOULDER AREA ON RRR PROJECTS IS SITE SPECIFIC AND NOT ALWAYS REQUIRED. THE USE OF STABILIZING IN NARROW TRENCH WIDENING STRIPS IS NOT RECOMMENDED GENERALLY. SEE THE FLEXIBLE PAVEMENT DESIGN MANUAL FOR FURTHER CRITERIA.



WIDENING &  
SHOULDER PAVEMENT DETAIL

WIDENING

OPTIONAL BASE GROUP II WITH  
TYPE SP STRUCTURAL COURSE (TRAFFIC C) (3")  
FRICTION COURSE FC-12.5 (TRAFFIC C) (1/2") (RUBBER)

SHOULDER PAVEMENT

OPTIONAL BASE GROUP I WITH  
FRICTION COURSE FC-12.5 (TRAFFIC C) (1/2") (RUBBER)

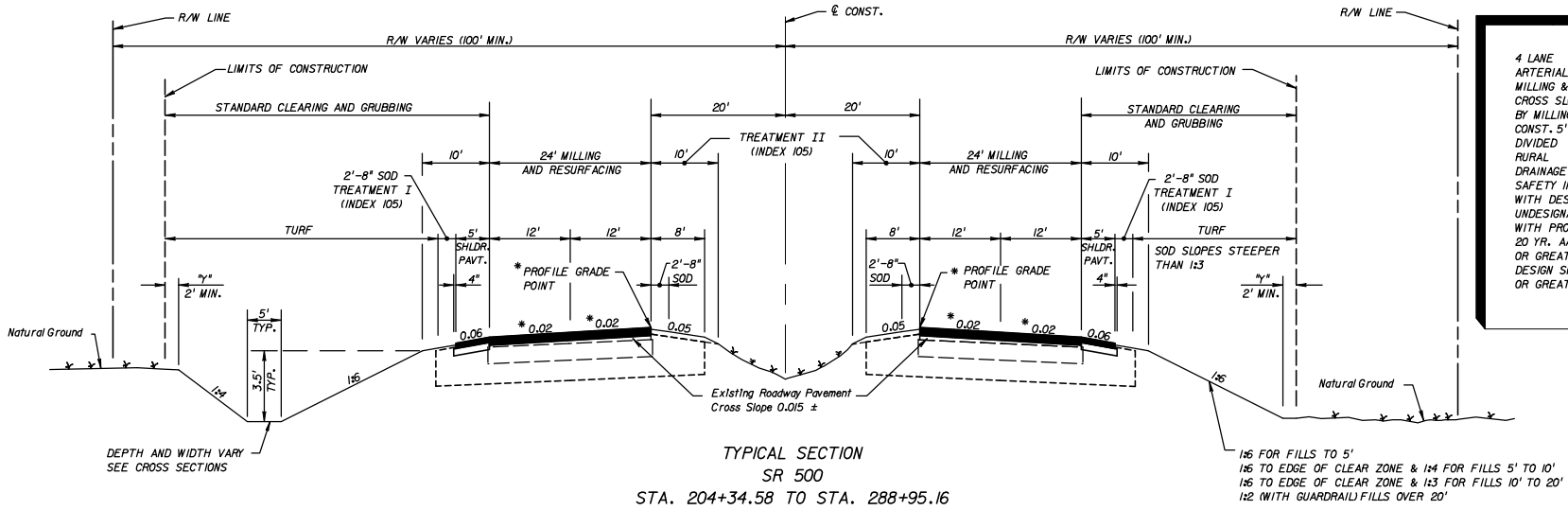
FOR STANDARD TYPICAL SECTION NOTES  
REFER TO EXHIBIT 6-1, THIS CHAPTER

EXHIBIT TYP-8A  
Date: 1/1/08

REVISIONS				STATE OF FLORIDA DEPARTMENT OF TRANSPORTATION			TYPICAL SECTION	SHEET NO.
DATE	DESCRIPTION	DATE	DESCRIPTION	ROAD NO.	COUNTY	FINANCIAL PROJECT ID		
				10	LEON	123456-1-52-01		

#USERS #DATES #TIMES #FILES

NOTICE: THE OFFICIAL RECORD OF THIS SHEET IS THE ELECTRONIC FILE SIGNED AND SEALED UNDER RULE 6805-23.003, F.A.C.



4 LANE  
ARTERIAL/COLLECTOR  
MILLING & RESURFACING  
CROSS SLOPE CORRECTION  
BY MILLING OR OVERBUILD  
CONST. 5' SHLDR. PAV'T  
DIVIDED  
RURAL  
DRAINAGE IMPROVEMENTS  
SAFETY IMPROVEMENTS  
WITH DESIGNATED OR  
UNDESIGNATED BIKE LANE  
WITH PROJECTED  
20 YR. AADT OF 1500  
OR GREATER  
DESIGN SPEED 45 MPH  
OR GREATER

TYPICAL SECTION  
SR 500  
STA. 204+34.58 TO STA. 288+95.16

DESIGNATED BIKE LANES SHALL BE LABELED ON TYPICAL. UNDESIGNATED BIKE LANES SHOULD NOT BE LABELED ON TYPICAL.

**TRAFFIC DATA**  
CURRENT YEAR = 1998 AADT = 18100  
ESTIMATED OPENING YEAR = 2000 AADT = 21000  
ESTIMATED DESIGN YEAR = 2012 AADT = 38900  
K = 112 D = 58X T = 22X (24 HOUR)  
DESIGN HOUR T = 11X  
DESIGN SPEED = 60 MPH  
POSTED SPEED = 55 MPH

TRAFFIC DATA IS REQUIRED TO BE NOTED FOR CURRENT YEAR, OPENING YEAR, AND DESIGN YEAR. POSTED SPEED (MPH) IS OPTIONAL.

\* WHEN CROSS SLOPE CORRECTION IS NECESSARY SPECIAL MILLING, OVERBUILD AND LAYERING DETAILS MUST BE PROVIDED TO SUPPLEMENT TYPICAL SECTION. THE NEED FOR AND LOCATION OF PROFILE GRADE POINTS WILL DEPEND ON SITE SPECIFIC CONDITIONS.

**MILLING**  
MILL EXISTING ASPHALT PAVEMENT (1/2" AVG. DEPTH)

**RESURFACING**  
TYPE SP STRUCTURAL COURSE (TRAFFIC D) (1/2")  
TYPE SP STRUCTURAL COURSE (TRAFFIC D) (1/2") (PG 76-22)  
AND FRICTION COURSE FC-5 (3/4") (PG 76-22)

**SHOULDER PAVEMENT**  
OPTIONAL BASE GROUP I WITH  
TYPE SP STRUCTURAL COURSE (TRAFFIC D) (1/2") (PG 76-22)  
AND FRICTION COURSE FC-5 (3/4") (PG 76-22)

STA. 316+53.67 TO STA. 527+82.00  
**MILLING**  
MILL EXISTING ASPHALT PAVEMENT (1/2" AVG. DEPTH)

**OVERBUILD**  
TYPE SP OVERBUILD (TRAFFIC D) THICKNESS VARIES (1" TO 1 1/2")

**RESURFACING**  
TYPE SP STRUCTURAL COURSE (TRAFFIC D) (1/2")  
TYPE SP STRUCTURAL COURSE (TRAFFIC D) (1/2") (PG 76-22)  
AND FRICTION COURSE FC-5 (3/4") (PG 76-22)

**SHOULDER PAVEMENT**  
OPTIONAL BASE GROUP I WITH  
TYPE SP STRUCTURAL COURSE (TRAFFIC D) (1/2") (PG 76-22)  
AND FRICTION COURSE FC-5 (3/4") (PG 76-22)

NOTE:  
HEIGHT OF FILL IS THE VERTICAL DISTANCE FROM THE EDGE OF THE OUTSIDE TRAVEL LANE TO TOE OF FRONT SLOPE.

"Y" THE AREA DISTURBED BY CONSTRUCTION VARIES.

FOR STANDARD TYPICAL SECTION NOTES REFER TO EXHIBIT 6-1, THIS CHAPTER.

FOR MILLING AND RESURFACING DETAILS SEE TYPICAL SECTION DETAILS SHEET 2 AND 3

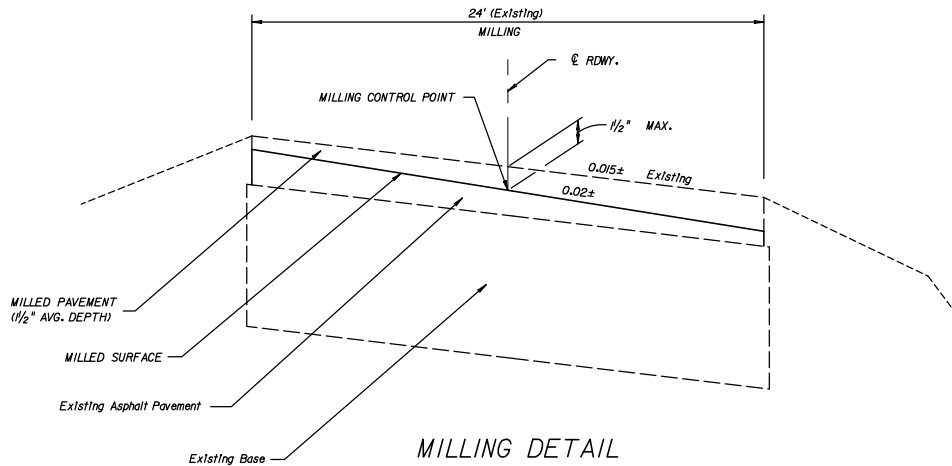
EXHIBIT TYP-9  
Date: 1/1/08

SHEET 1 OF 3

REVISIONS				STATE OF FLORIDA DEPARTMENT OF TRANSPORTATION			TYPICAL SECTION	SHEET NO.
DATE	DESCRIPTION	DATE	DESCRIPTION	ROAD NO.	COUNTY	FINANCIAL PROJECT ID		
				10	LEON	123456-1-52-01		

#USERS #DATES #TIMES #FILES

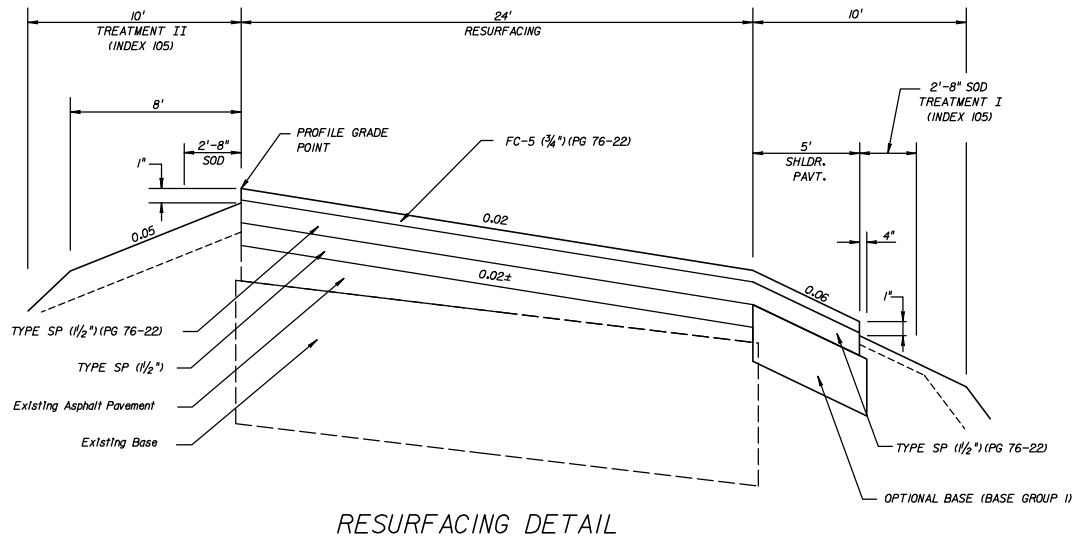
NOTICE: THE OFFICIAL RECORD OF THIS SHEET IS THE ELECTRONIC FILE SIGNED AND SEALED UNDER RULE 6805-23.003, F.A.C.



WHEN CROSS SLOPE CORRECTION IS NECESSARY SPECIAL MILLING AND LAYERING DETAILS MUST BE PROVIDED TO SUPPLEMENT TYPICAL SECTION. THE NEED FOR AND LOCATION OF PROFILE GRADE POINTS WILL DEPEND ON SITE SPECIFIC CONDITIONS.

EXAMPLE OF CROSS SLOPE CORRECTION BY MILLING.

FOR STANDARD TYPICAL SECTION NOTES REFER TO EXHIBIT 6-1, THIS CHAPTER.



STA. 204+34.58 TO STA. 288+95.16

EXHIBIT TYP-9A  
Date: 1/1/08

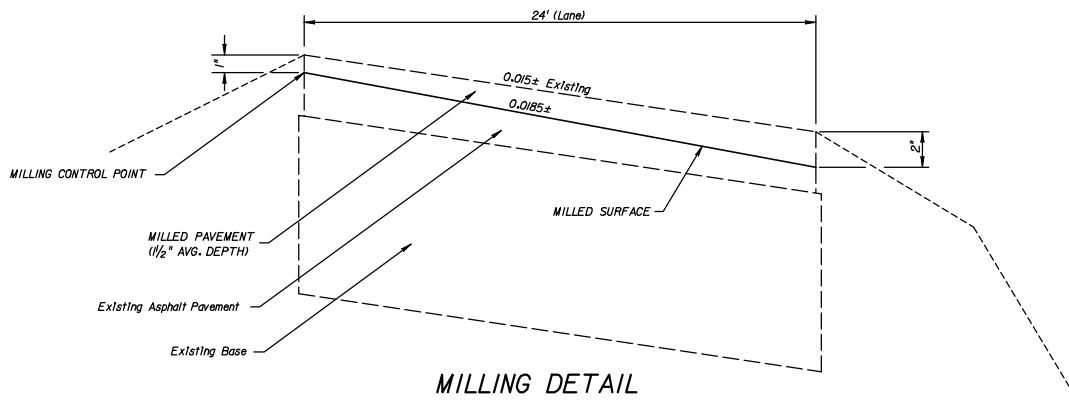
SHEET 2 OF 3

REVISIONS			
DATE	DESCRIPTION	DATE	DESCRIPTION

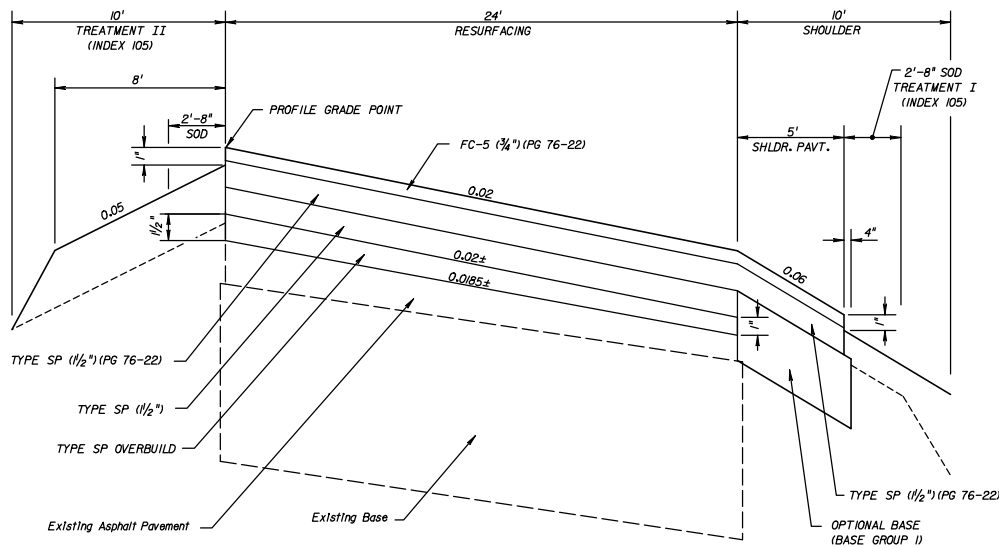
STATE OF FLORIDA DEPARTMENT OF TRANSPORTATION		
ROAD NO.	COUNTY	FINANCIAL PROJECT ID
10	LEON	123456-1-52-01

**TYPICAL SECTION DETAILS**

SHEET NO.



MILLING DETAIL



OVERBUILD AND RESURFACING DETAIL

WHEN CROSS SLOPE CORRECTION IS NECESSARY SPECIAL MILLING, OVERBUILD AND LAYERING DETAILS MUST BE PROVIDED TO SUPPLEMENT TYPICAL SECTION. THE NEED FOR AND LOCATION OF PROFILE GRADES POINTS WILL DEPEND ON SITE SPECIFIC CONDITIONS.

EXAMPLE OF CROSS SLOPE CORRECTION BY MILLING AND OVERBUILD.

FOR STANDARD TYPICAL SECTION NOTES REFER TO EXHIBIT 6-1, THIS CHAPTER.

SUGGESTED CONSTRUCTION SEQUENCES SHOWN. OTHER SEQUENCES THAT MEET SPECIFICATIONS, THICKNESS AND CROSS SLOPE REQUIREMENTS MAY BE CONSIDERED BY THE ENGINEER.

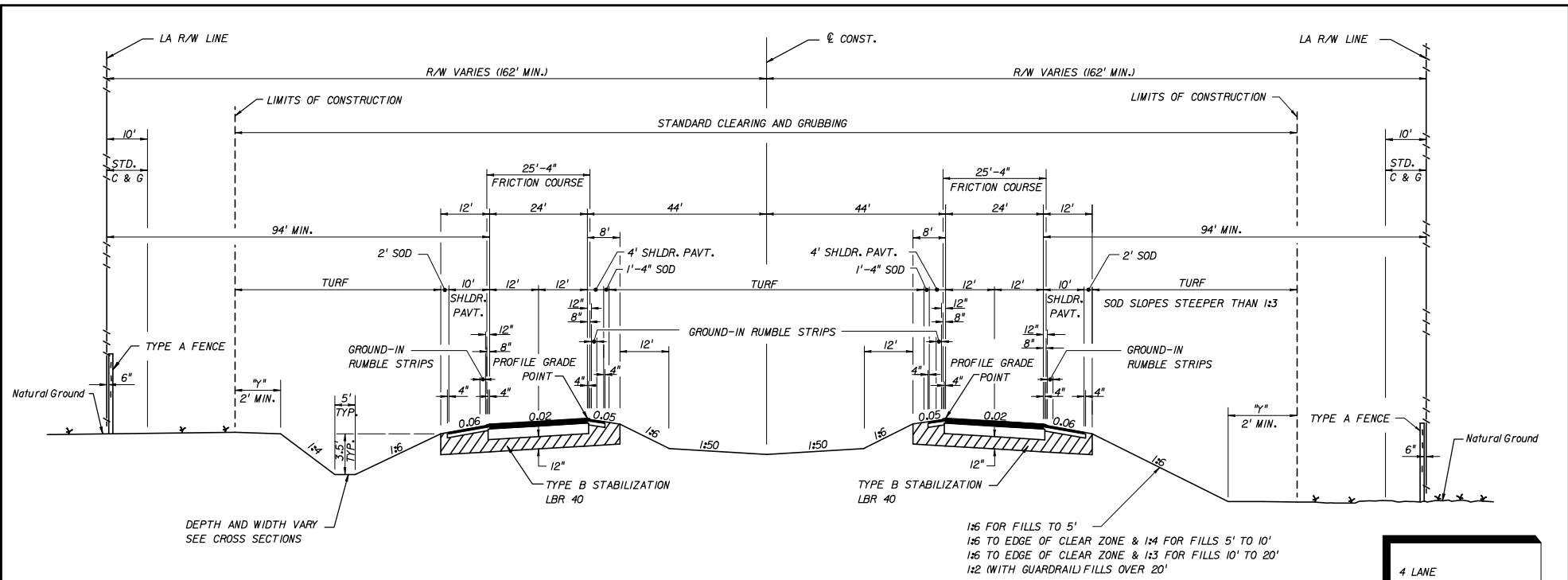
STA. 316+53.67 TO STA. 527+82.00

EXHIBIT TYP-9B  
Date: 1/1/08

SHEET 3 OF 3

REVISIONS		STATE OF FLORIDA DEPARTMENT OF TRANSPORTATION			SHEET NO.
DATE	DESCRIPTION	DATE	DESCRIPTION	FINANCIAL PROJECT ID	
				10 LEON 123456-1-52-01	

TYPICAL SECTION DETAILS



**TRAFFIC DATA**

CURRENT YEAR = 1998 AADT = 22300  
 ESTIMATED OPENING YEAR = 2000 AADT = 23300  
 ESTIMATED DESIGN YEAR = 2020 AADT = 51500  
 K = 9 % D = 56 % T = 10 % (24 HOUR)  
 DESIGN HOUR T = 5 %  
 DESIGN SPEED = 70 MPH

TRAFFIC DATA IS REQUIRED TO BE NOTED FOR CURRENT YEAR, OPENING YEAR, AND DESIGN YEAR. POSTED SPEED (MPH) IS OPTIONAL.

FOR STANDARD TYPICAL SECTION NOTES REFER TO EXHIBIT 6-1, THIS CHAPTER

**TYPICAL SECTION  
 SR 8  
 STA. 567+25.67 TO STA. 1056+84.35**

**NEW CONSTRUCTION**

OPTIONAL BASE GROUP 9 WITH  
 TYPE SP STRUCTURAL COURSE (TRAFFIC D) (2 1/2")  
 TYPE SP STRUCTURAL COURSE (TRAFFIC D) (1 1/2") (PG 76-22) AND  
 FRICTION COURSE FC-5 (3/4") (PG 76-22)

**MEDIAN SHOULDER PAVEMENT**

OPTIONAL BASE GROUP 1 WITH  
 TYPE SP STRUCTURAL COURSE (TRAFFIC D) (1 1/2")  
 TYPE SP STRUCTURAL COURSE (TRAFFIC D) (1 1/2") (PG 76-22) AND  
 FRICTION COURSE FC-5 (3/4") (PG 76-22)

**OUTSIDE SHOULDER PAVEMENT**

OPTIONAL BASE GROUP 1 WITH  
 TYPE SP STRUCTURAL COURSE (TRAFFIC B) (1 1/2") AND  
 FRICTION COURSE FC-5 (3/4") (PG 76-22)

**NOTE:**  
 HEIGHT OF FILL IS THE VERTICAL DISTANCE FROM THE EDGE OF THE OUTSIDE TRAVEL LANE TO TOE OF FRONT SLOPE.

4 LANE INTERSTATE SYSTEM  
 NEW CONSTRUCTION  
 DIVIDED RURAL  
 WITH PROJECTED 20 YR. AADT OF 1500 OR GREATER  
 DESIGN SPEED TO MPH

"y" THE AREA DISTURBED BY CONSTRUCTION VARIES.

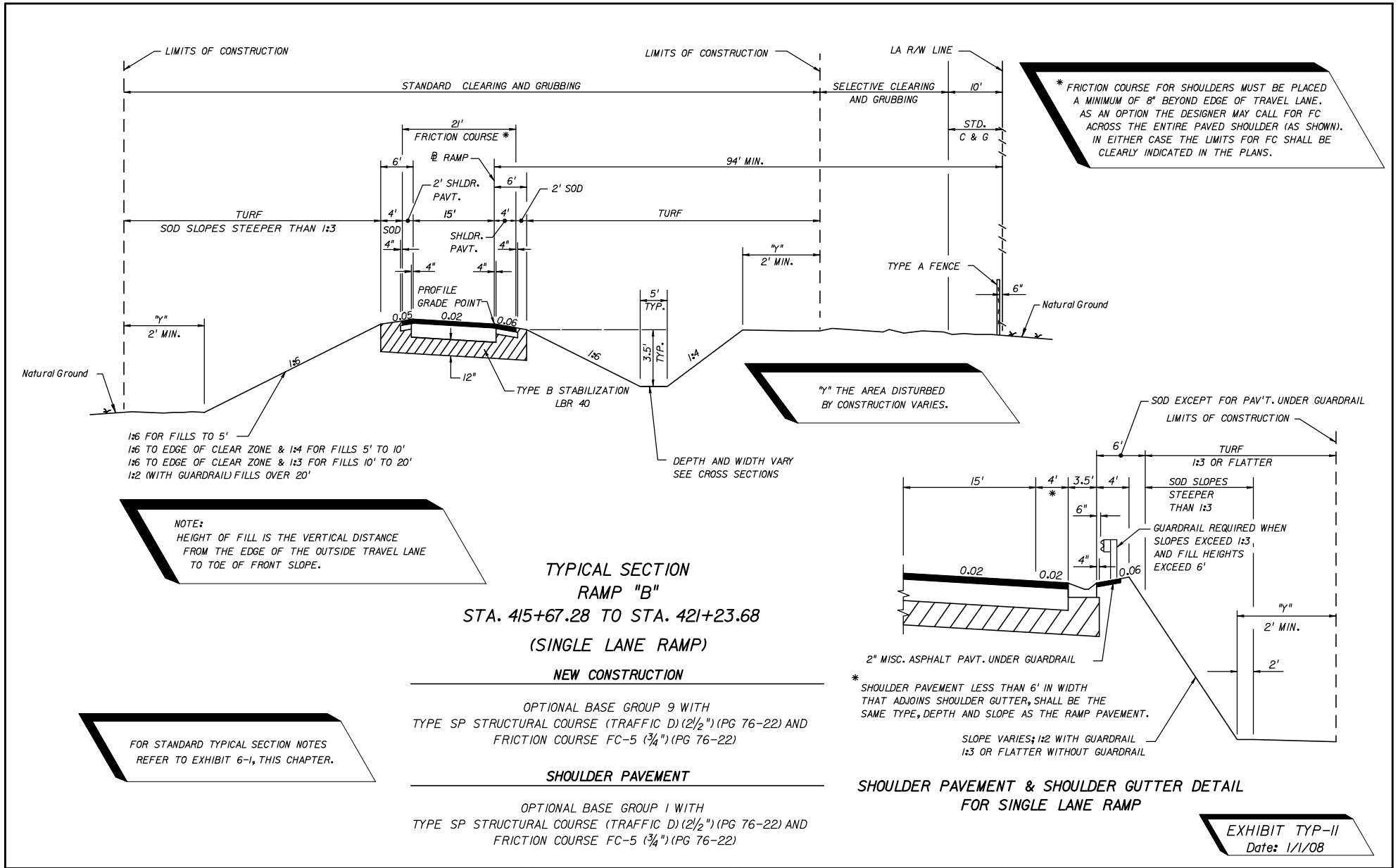
**EXHIBIT TYP-10**  
 Date: 1/1/08

REVISIONS				STATE OF FLORIDA DEPARTMENT OF TRANSPORTATION			SHEET NO.
DATE	DESCRIPTION	DATE	DESCRIPTION	ROAD NO.	COUNTY	FINANCIAL PROJECT ID	
				10	LEON	123456-1-52-01	

**TYPICAL SECTION**

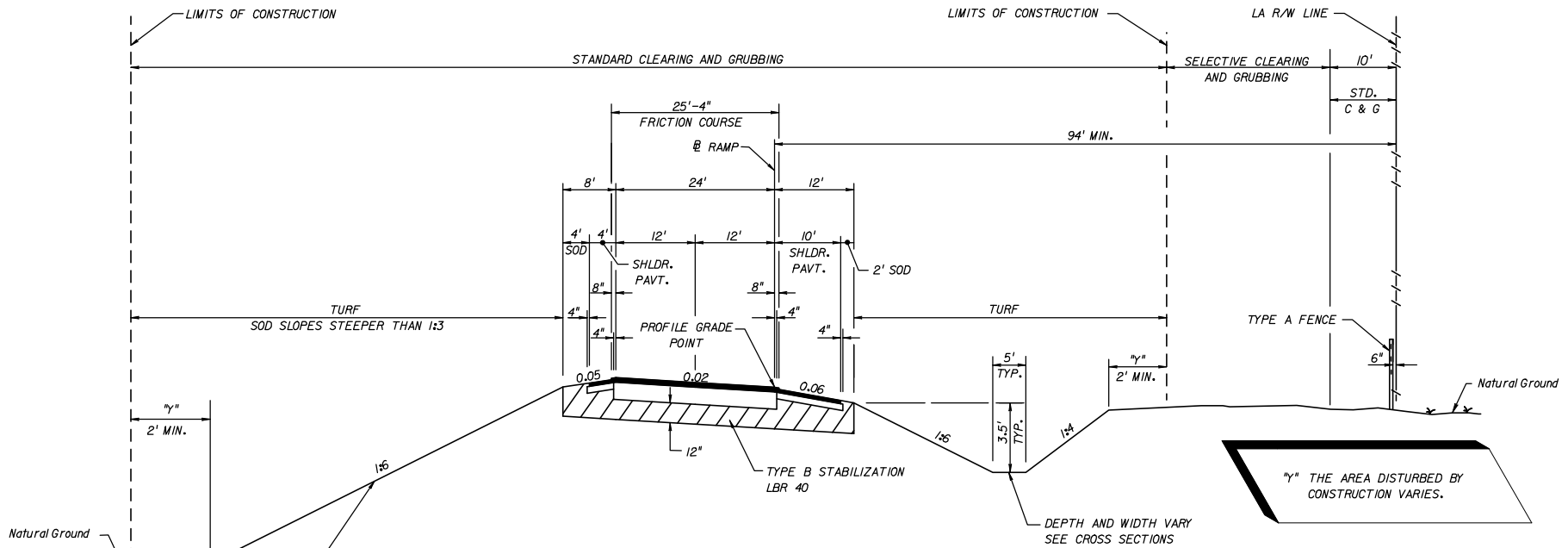
#USERS #DATES #TIMES #FILES

NOTICE: THE OFFICIAL RECORD OF THIS SHEET IS THE ELECTRONIC FILE SIGNED AND SEALED UNDER RULE 68G5-23.003, F.A.C.



REVISIONS		STATE OF FLORIDA DEPARTMENT OF TRANSPORTATION			SHEET NO.
DATE	DESCRIPTION	DATE	DESCRIPTION	FINANCIAL PROJECT ID	
				10 LEON 123456-1-52-01	RAMP TYPICAL SECTION

NOTICE: THE OFFICIAL RECORD OF THIS SHEET IS THE ELECTRONIC FILE SIGNED AND SEALED UNDER RULE 68G5-23.003, F.A.C.



**TYPICAL SECTION  
RAMP "C"  
STA. 623+28.64 TO STA. 629+13.78  
(TWO LANE RAMP)**

**NEW CONSTRUCTION**

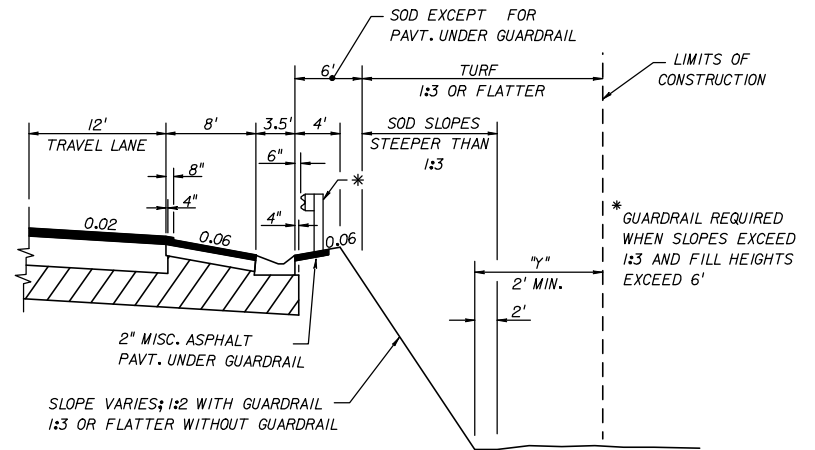
OPTIONAL BASE GROUP 9 WITH  
TYPE SP STRUCTURAL COURSE (TRAFFIC D) (2") (PG 76-22) AND  
FRICTION COURSE FC-5 (3/4") (PG 76-22)

**LEFT SHOULDER PAVEMENT**

OPTIONAL BASE GROUP 1 WITH  
TYPE SP STRUCTURAL COURSE (TRAFFIC D) (2") (PG 76-22) AND  
FRICTION COURSE FC-5 (3/4") (PG 76-22)

**RIGHT SHOULDER PAVEMENT**

OPTIONAL BASE GROUP 1 WITH  
TYPE SP STRUCTURAL COURSE (TRAFFIC B) (2") AND  
FRICTION COURSE FC-5 (3/4") (PG 76-22)



**SHOULDER PAVEMENT & SHOULDER GUTTER DETAIL  
MAINLINE AND MULTILANE RAMPS**

**EXHIBIT TYP-12  
Date: 1/1/08**

1:6 FOR FILLS TO 5'  
1:6 TO EDGE OF CLEAR ZONE & 1:4 FOR FILLS 5' TO 10'  
1:6 TO EDGE OF CLEAR ZONE & 1:3 FOR FILLS 10' TO 20'  
1:2 (WITH GUARDRAIL) FILLS OVER 20'

**NOTE:**  
HEIGHT OF FILL IS THE VERTICAL DISTANCE  
FROM THE EDGE OF THE OUTSIDE TRAVEL LANE  
TO TOE OF FRONT SLOPE.

FOR STANDARD TYPICAL SECTION NOTES  
REFER TO EXHIBIT 6-1, THIS CHAPTER

REVISIONS				STATE OF FLORIDA DEPARTMENT OF TRANSPORTATION			RAMP TYPICAL SECTION	SHEET NO.
DATE	DESCRIPTION	DATE	DESCRIPTION	ROAD NO.	COUNTY	FINANCIAL PROJECT ID		
				10	LEON	123456-1-52-01		

USERS STIMES FILES

NOTICE: THE OFFICIAL RECORD OF THIS SHEET IS THE ELECTRONIC FILE SIGNED AND SEALED UNDER RULE 6805-23.003, F.A.C.

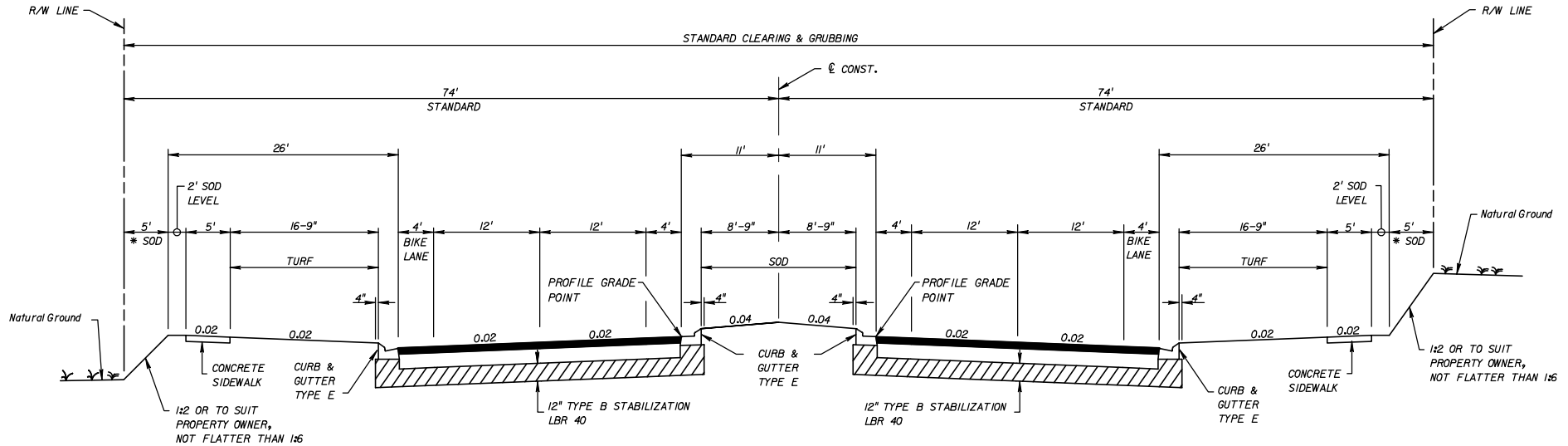


DESIGNATED BIKE LANES SHALL BE LABELED ON TYPICAL. UNDESIGNATED BIKE LANES SHOULD NOT BE LABELED ON TYPICAL.

IF LANDSCAPING IS DESIRED, TREES SHALL BE TYPES THAT WILL NOT HAVE AN EXPECTED GROWTH GREATER THAN 4" IN DIAMETER MEASURED 6" ABOVE THE GROUND.

TURF SLOPES 1:3 OR FLATTER  
\* SOD SLOPES STEEPER THAN 1:3

4-LANE  
ARTERIAL  
NEW CONSTRUCTION  
DIVIDED  
SUBURBAN  
WITH DESIGNATED OR  
UNDESIGNATED BIKE LANE  
DESIGN SPEED 55 MPH



**TRAFFIC DATA**

CURRENT YEAR = 1999 AADT = 22800  
 ESTIMATED OPENING YEAR = 2002 AADT = 25800  
 ESTIMATED DESIGN YEAR = 2022 AADT = 30600  
 K = 6% D = 55% T = 2% (24 HOUR)  
 DESIGN HOUR T = 1%  
 DESIGN SPEED = 55 MPH

**SUBURBAN TYPICAL SECTION  
 SR 00 (SARA AVE.)  
 STA. 50+40.00 TO STA. 125+50.00**

**NEW CONSTRUCTION**

OPTIONAL BASE GROUP 9 WITH  
 TYPE SP STRUCTURAL COURSE (TRAFFIC C) (3 1/2")  
 AND FRICTION COURSE FC-5 (3/4") (RUBBER)

TRAFFIC DATA IS REQUIRED TO BE NOTED FOR CURRENT YEAR, OPENING YEAR AND DESIGN YEAR.  
 POSTED SPEED (MPH) IS OPTIONAL.

FOR STANDARD TYPICAL SECTION NOTES REFER TO EXHIBIT 6-1, THIS CHAPTER.

EXHIBIT TYP-13  
 Date: 1/1/08

REVISIONS		STATE OF FLORIDA DEPARTMENT OF TRANSPORTATION			SHEET NO.
DATE	DESCRIPTION	ROAD NO.	COUNTY	FINANCIAL PROJECT ID	
		10	LEON	123456-1-52-01	

#USERS

#DATES

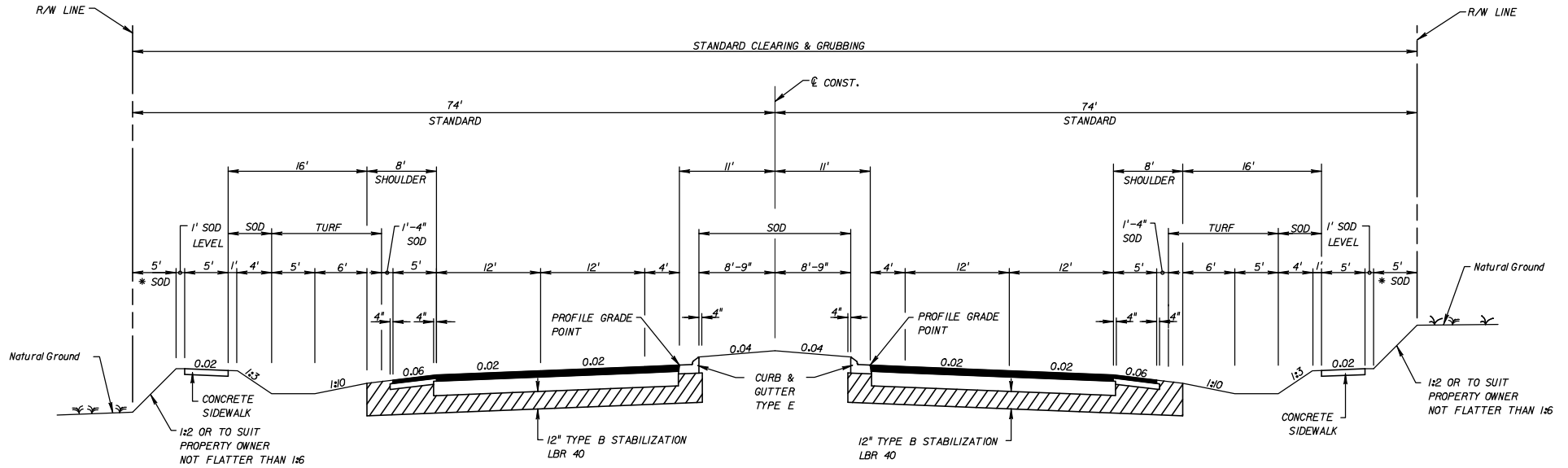
#TIMES

#FILES

NOTICE: THE OFFICIAL RECORD OF THIS SHEET IS THE ELECTRONIC FILE SIGNED AND SEALED UNDER RULE 68G05-23.003, F.A.C.

DESIGNATED BIKE LANES SHALL BE LABELED ON TYPICAL. UNDESIGNATED BIKE LANES SHOULD NOT BE LABELED ON TYPICAL.

4-LANE  
ARTERIAL  
NEW CONSTRUCTION  
DIVIDED  
SUBURBAN  
WITH DESIGNATED OR  
UNDESIGNATED BIKE LANE  
DESIGN SPEED 55 MPH OR LESS



**TRAFFIC DATA**

CURRENT YEAR = 1999 AADT = 22800  
 ESTIMATED OPENING YEAR = 2002 AADT = 25800  
 ESTIMATED DESIGN YEAR = 2022 AADT = 30600  
 K = 6% D = 55% T = 2% (24 HOUR)  
 DESIGN HOUR T = 1%  
 DESIGN SPEED = 55 MPH

TRAFFIC DATA IS REQUIRED TO BE NOTED FOR CURRENT YEAR, OPENING YEAR AND DESIGN YEAR. POSTED SPEED (MPH) IS OPTIONAL.

FOR STANDARD TYPICAL SECTION NOTES REFER TO EXHIBIT 6-1, THIS CHAPTER.

**SUBURBAN TYPICAL SECTION  
 SR 00 (CODY ROAD)  
 STA. 100+40.00 TO STA. 225+50.00**

**NEW CONSTRUCTION**

OPTIONAL BASE GROUP 9 WITH  
 TYPE SP STRUCTURAL COURSE (TRAFFIC C) (3 1/2")  
 AND FRICTION COURSE FC-5 (3/4") (RUBBER)

**SHOULDER PAVEMENT**

OPTIONAL BASE GROUP 1 WITH  
 TYPE SP STRUCTURAL COURSE (TRAFFIC C) (1 1/2")  
 AND FRICTION COURSE FC-5 (3/4") (RUBBER)

TURF SLOPES 1:3 OR FLATTER  
 \* SOD SLOPES STEEPER THAN 1:3

IF LANDSCAPING IS DESIRED, TREES SHALL BE TYPES THAT WILL NOT HAVE AN EXPECTED GROWTH GREATER THAN 4" IN DIAMETER MEASURED 6" ABOVE THE GROUND.

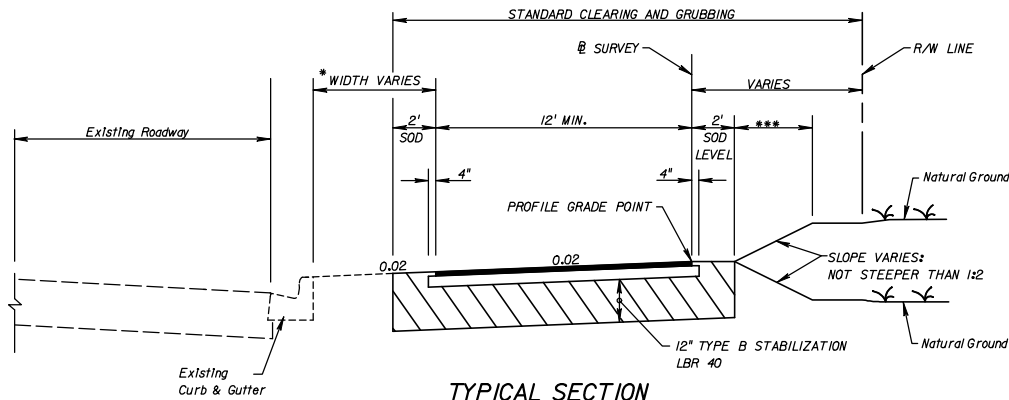
**EXHIBIT TYP-14**  
 Date: 1/1/08

REVISIONS				STATE OF FLORIDA DEPARTMENT OF TRANSPORTATION			SHEET NO.
DATE	DESCRIPTION	DATE	DESCRIPTION	ROAD NO.	COUNTY	FINANCIAL PROJECT ID	
				10	LEON	123456-1-52-01	

#USERS #DATES #TIMES #FILES

**SUBURBAN TYPICAL SECTION**

NOTICE: THE OFFICIAL RECORD OF THIS SHEET IS THE ELECTRONIC FILE SIGNED AND SEALED UNDER RULE 6805-23.003, F.A.C.



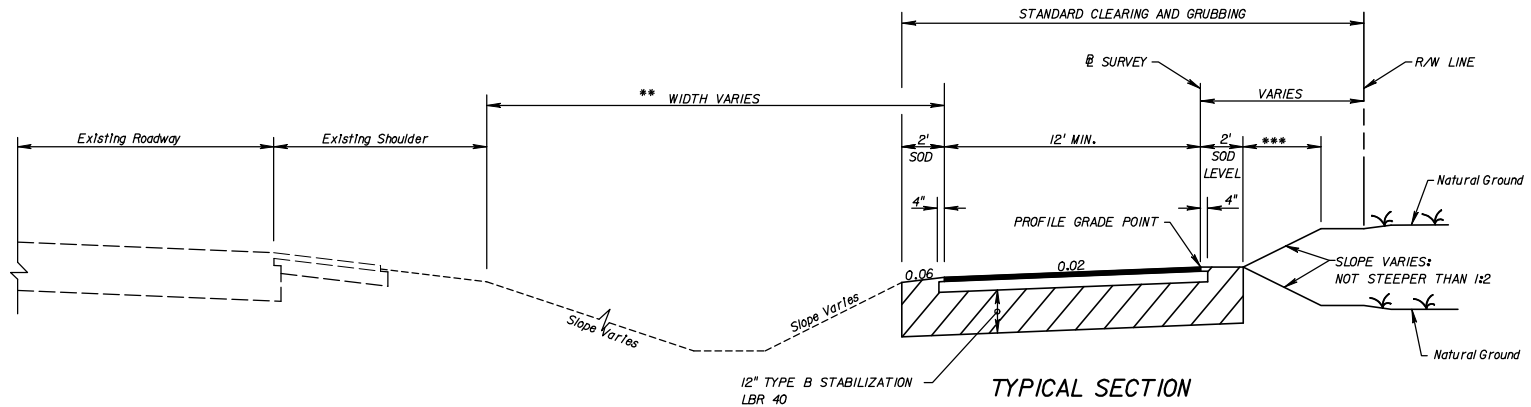
**TYPICAL SECTION  
SHARED USE PATH  
SR 00 (WILLOW WAY)  
STA. 122+00.000 TO STA. 210+65.000  
PATH**

OPTIONAL BASE GROUP 1 WITH  
TYPE SP STRUCTURAL COURSE (TRAFFIC A) (1")

\* FOR ROADWAYS WITH CURBS, A MINIMUM SEPARATION OF 4 FEET MEASURED FROM THE BACK OF CURB SHOULD BE PROVIDED.

\*\*\* TURF OR SOD

NOTE:  
THE DESIGN SPEED FOR SHARED USE PATHS IS 20 MPH.



**TYPICAL SECTION  
SHARED USE PATH  
SR 00 (DEXTON HEIGHTS)  
STA. 22+00.000 TO STA. 51+65.000  
PATH**

OPTIONAL BASE GROUP 1 WITH  
TYPE SP STRUCTURAL COURSE (TRAFFIC A) (1")

\*\* FOR ROADWAYS WITH FLUSH SHOULDERS, A MINIMUM SEPARATION OF 5 FEET MEASURED FROM THE OUTSIDE EDGE OF SHOULDER TO THE INSIDE EDGE OF THE SHARED USE PATH SHOULD BE PROVIDED.

EXHIBIT TYP-15  
Date: 1/1/08

REVISIONS			
DATE	DESCRIPTION	DATE	DESCRIPTION

STATE OF FLORIDA DEPARTMENT OF TRANSPORTATION		
ROAD NO.	COUNTY	FINANCIAL PROJECT ID
10	LEON	123456-1-52-01

**SHARED USE PATH**

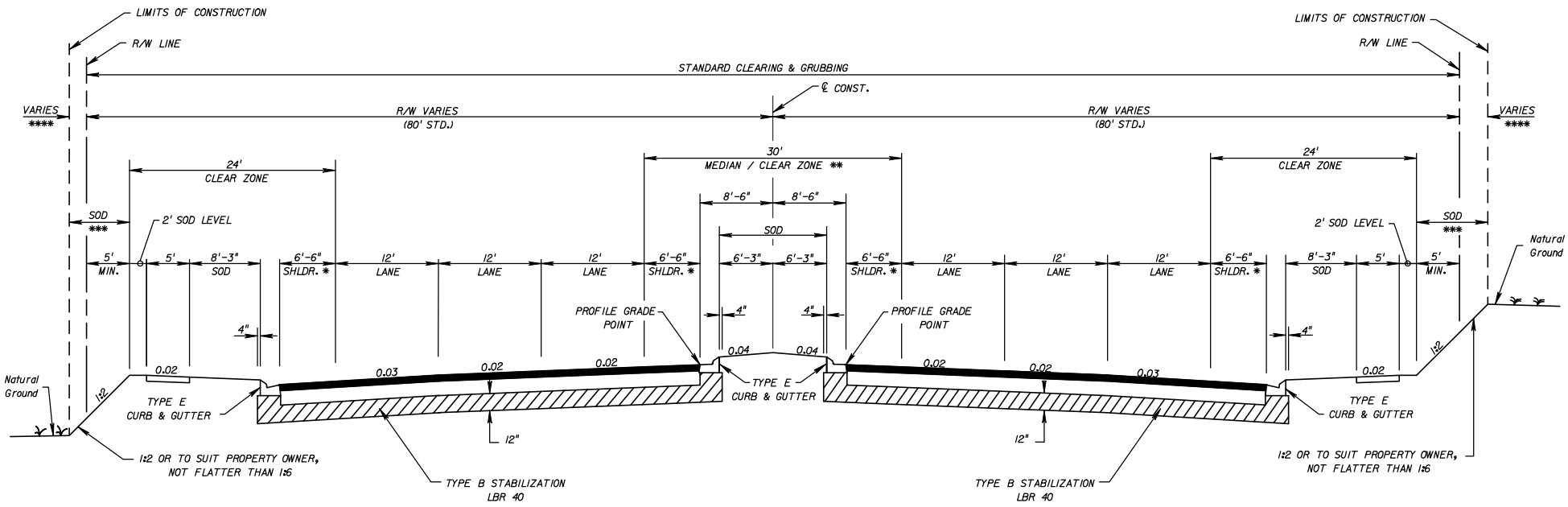
SHEET NO.

#USERS #DATES #TIMES #FILES

NOTICE: THE OFFICIAL RECORD OF THIS SHEET IS THE ELECTRONIC FILE SIGNED AND SEALED UNDER RULE 6805-23.003, F.A.C.

\*\*\*\* IF LIMITS OF CONSTRUCTION EXCEED RIGHT OF WAY, A PROPERTY AGREEMENT IS REQUIRED.

6-LANE ARTERIAL  
NEW CONSTRUCTION  
DIVIDED  
URBAN  
DESIGN SPEED 50 MPH



**TYPICAL SECTION**  
**SR 00 (SOUTH INDEPENDENCE STREET)**  
**STA. 401+30.00 TO STA. 788+66.00**

**NEW CONSTRUCTION**

OPTIONAL BASE GROUP 9 WITH  
TYPE SP STRUCTURAL COURSE (TRAFFIC C) (3/2")  
AND FRICTION COURSE FC-5 (3/4") (RUBBER)

\* PROVIDES FOR 8' OF USABLE SHOULDER

\*\* THE 30' MEDIAN AREA PROVIDES SUFFICIENT WIDTH FOR:  
- 24' CLEAR ZONE  
- DUAL LEFT TURN LANES (11' lanes, 4' separator in median shoulder)  
- DIRECTIONAL MEDIAN OPENING (4' separators in median shoulder)

\*\*\* TURF OR SOD

**TRAFFIC DATA**

CURRENT YEAR = 1998 AADT = 22800  
ESTIMATED OPENING YEAR = 2000 AADT = 25800  
ESTIMATED DESIGN YEAR = 2020 AADT = 30600  
K = 6% D = 55% T = 2% (24 HOUR)  
DESIGN HOUR T = 1%  
DESIGN SPEED = 50 MPH

TRAFFIC DATA IS REQUIRED TO BE NOTED FOR CURRENT YEAR, OPENING YEAR AND DESIGN YEAR.

FOR STANDARD TYPICAL SECTION NOTES REFER TO EXHIBIT 6-1, THIS CHAPTER.

**EXHIBIT TYP-16**  
Date: 1/1/08

REVISIONS		STATE OF FLORIDA DEPARTMENT OF TRANSPORTATION			SHEET NO.
DATE	DESCRIPTION	DATE	DESCRIPTION	FINANCIAL PROJECT ID	
				10 LEON 123456-1-52-01	<b>TYPICAL SECTION</b>

#USERS #DATES #TIMES #FILES

NOTICE: THE OFFICIAL RECORD OF THIS SHEET IS THE ELECTRONIC FILE SIGNED AND SEALED UNDER RULE 6805-23.003, F.A.C.