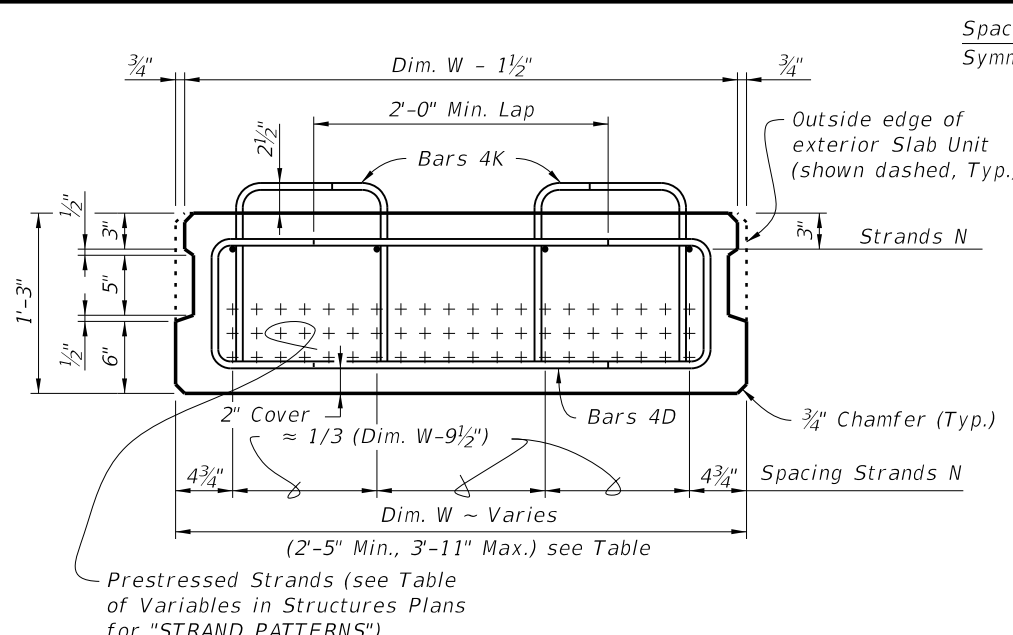
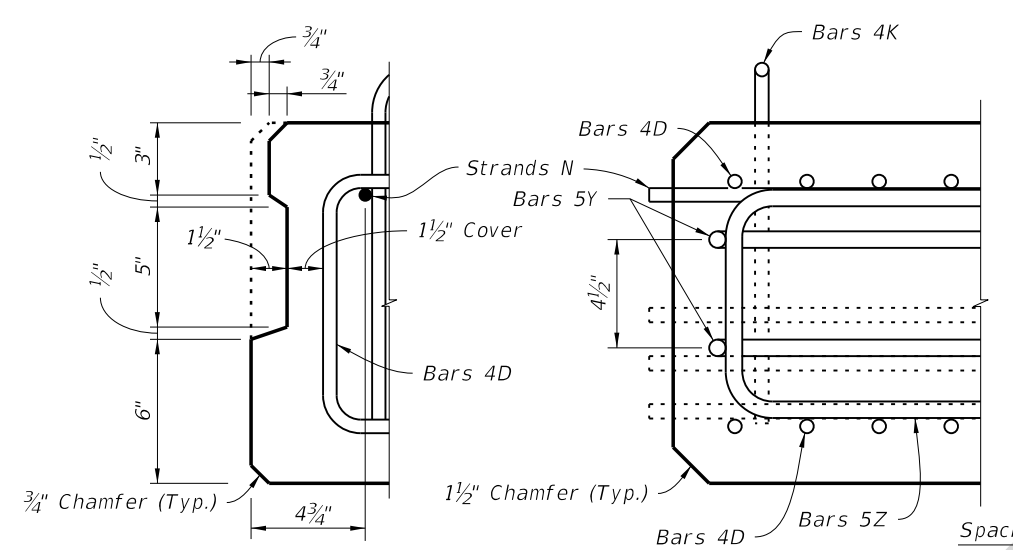


C:\projects\standards\structures\current\view_design_std\20300_psu\20363-1of1.dgn
RD960DM
2:39:41 PM
4/28/2014

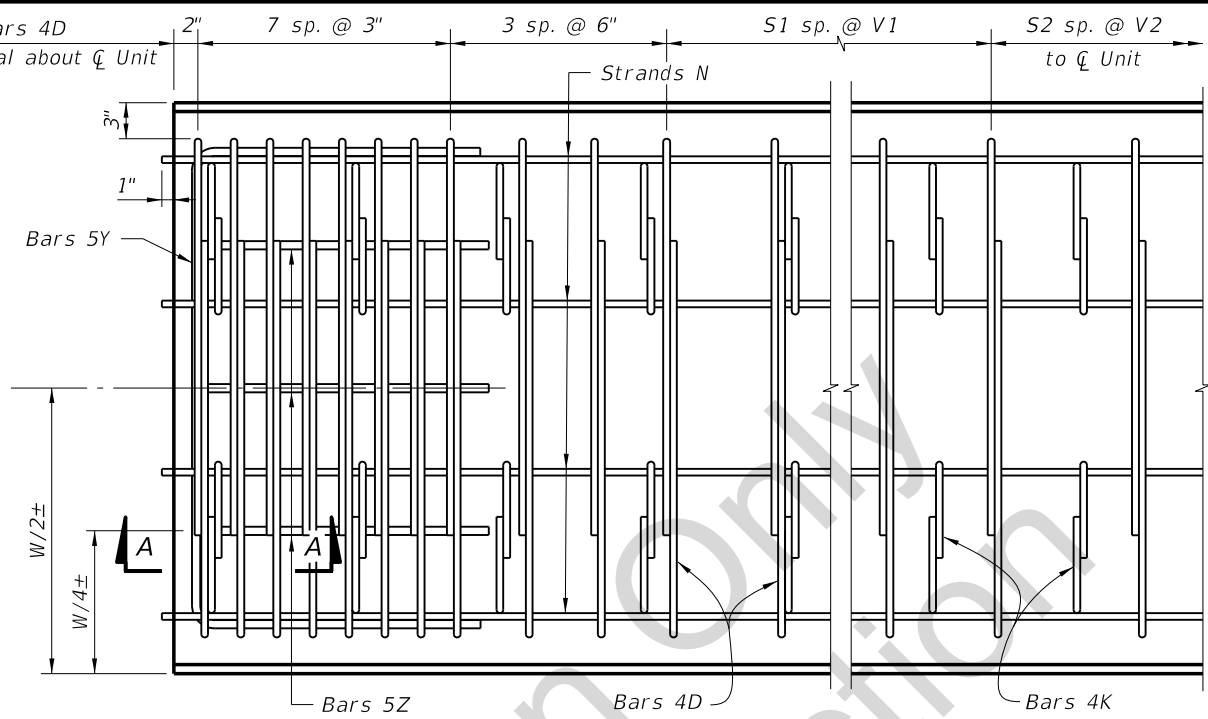


TYPICAL SECTION

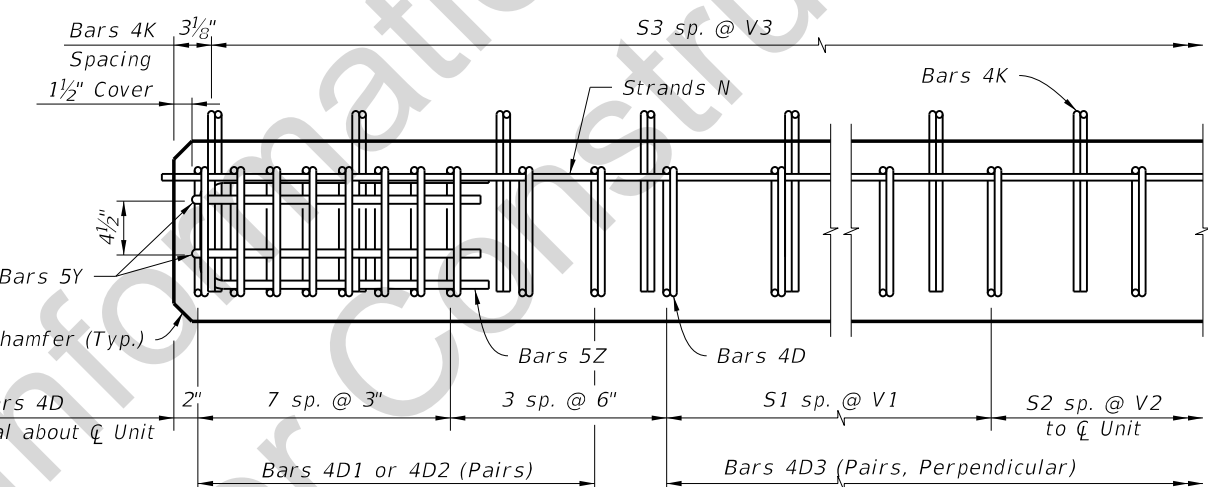


KEYWAY DETAIL

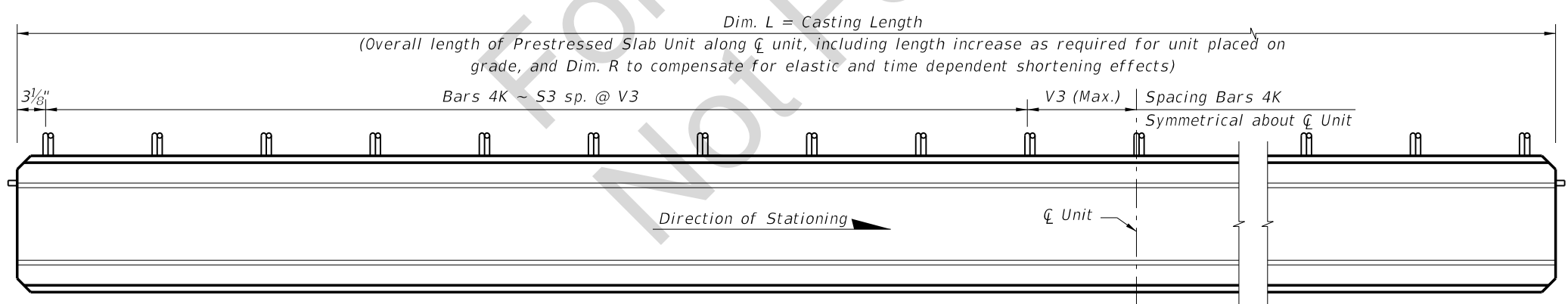
SECTION A-A



PLAN AT END OF PRESTRESSED SLAB UNIT



ELEVATION AT END OF PRESTRESSED SLAB UNIT

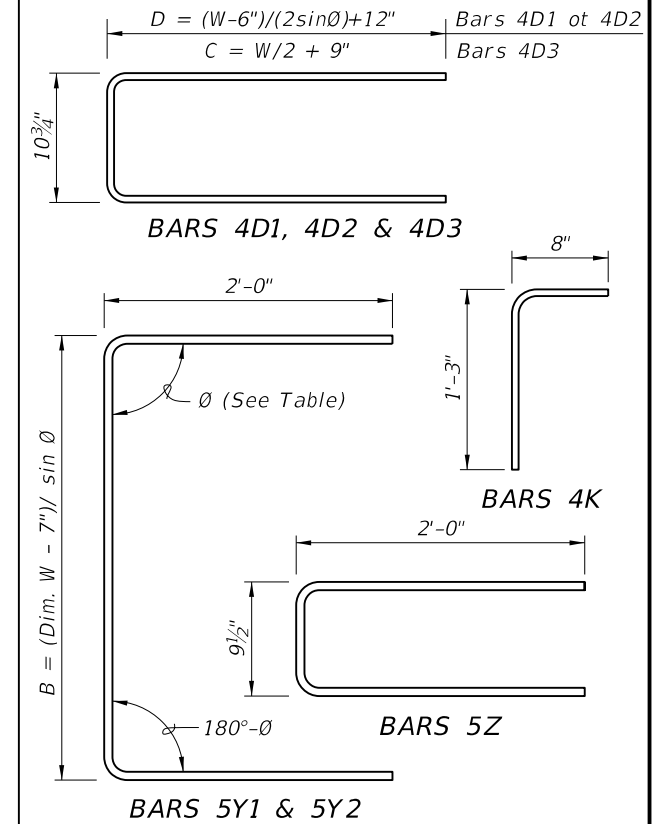


ELEVATION

BILL OF REINFORCING STEEL FOR ONE UNIT ONLY

MARK	SIZE	NOTE NUMBERS	NUMBER REQUIRED	LENGTH (NOTE 1)
D1	4	4, 5, 10	20 (End 1)*	Varies
D2	4	4, 5, 10	20 (End 2)*	Varies
D3	4	5	See Table	Varies
K	4	4, 5	See Table	1'-11"
N	3/8" Ø Strands	2, 9	4	Dim. L + 2"
Y1	5	4, 10	2 (End 1)	See Table
Y2	5	4, 10	2 (End 2)	See Table
Z	5	-	6	4'-10"

BENDING DIAGRAMS (See Note 1)



NOTES:
Work this Index with Index No. D20350 and Prestressed Custom Width Slab Units - Table of Variables in Structures Plans.

For Dimensions B, C, D, L, R, W, V1 thru V3 and number of spaces S1 thru S3, see Prestressed Custom Width Slab Units - Table of Variables in Structures Plans.

For referenced notes, see Index No. D20350, Sheet 1.

* See Note 4 for additional Bars 4D1 or 4D2 for skewed units.