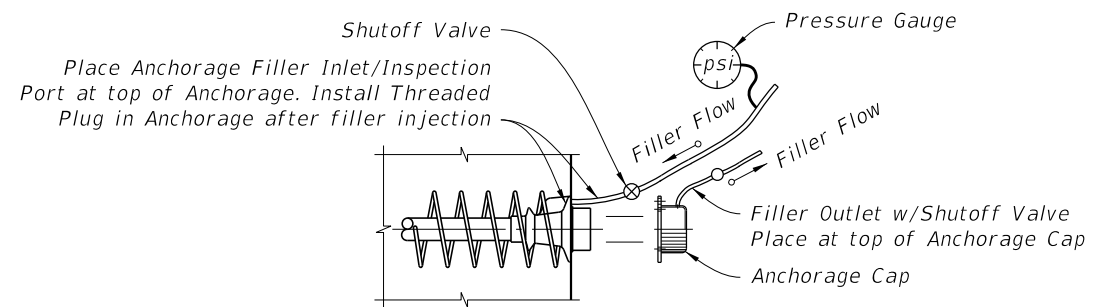
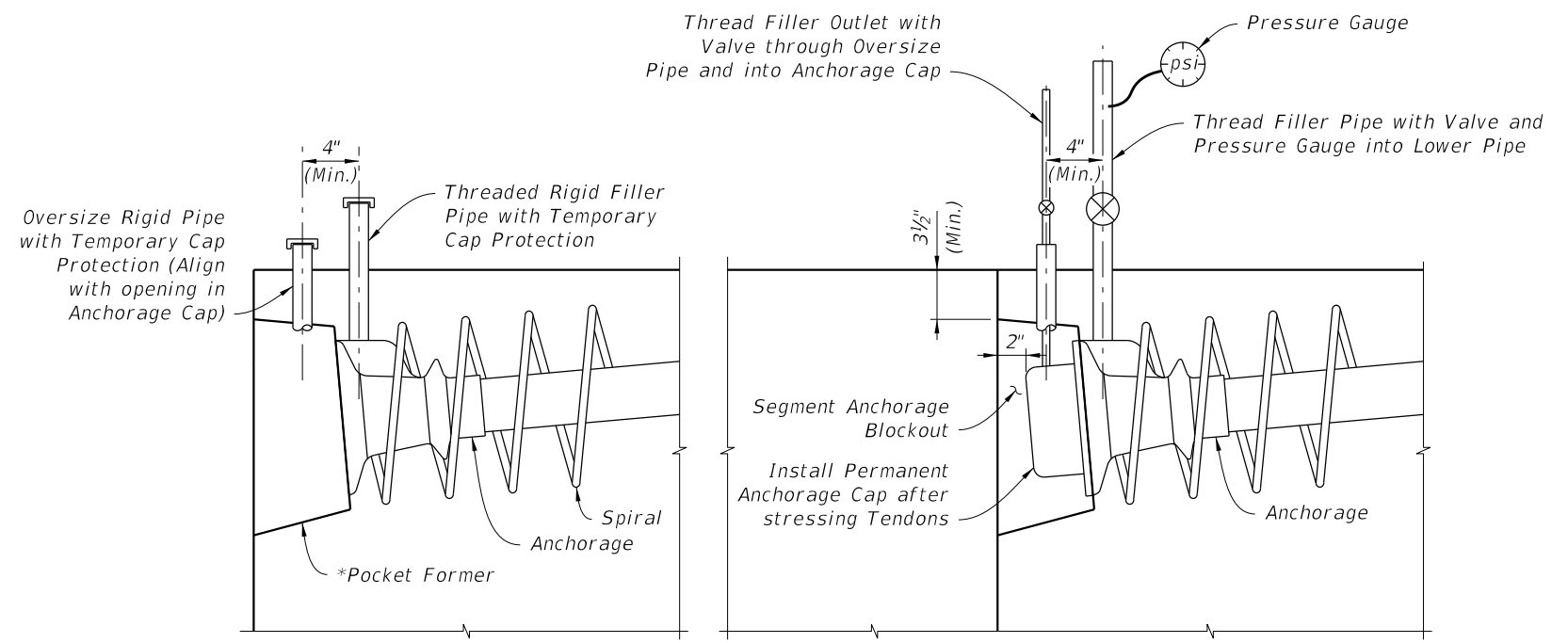


FACE INSPECTED ANCHORAGE WITH FILLER OUTLET

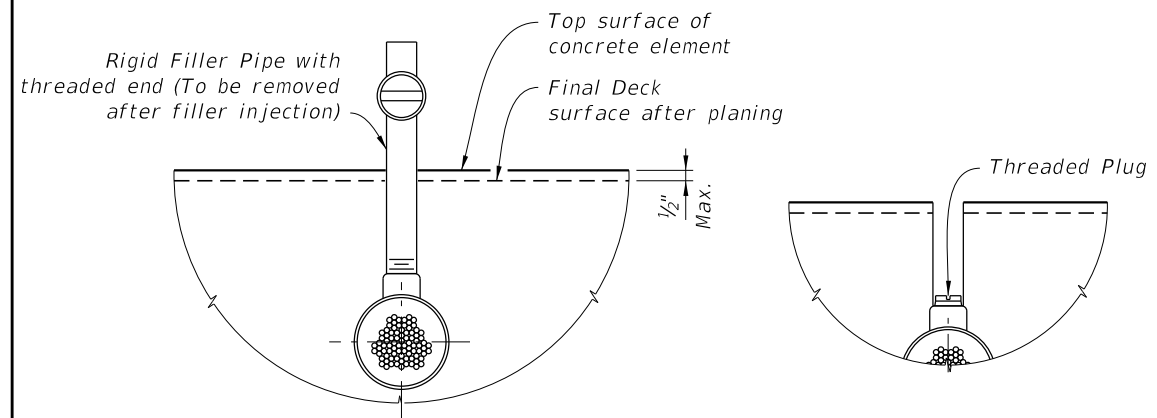


FACE INSPECTED ANCHORAGE WITH FILLER INLET



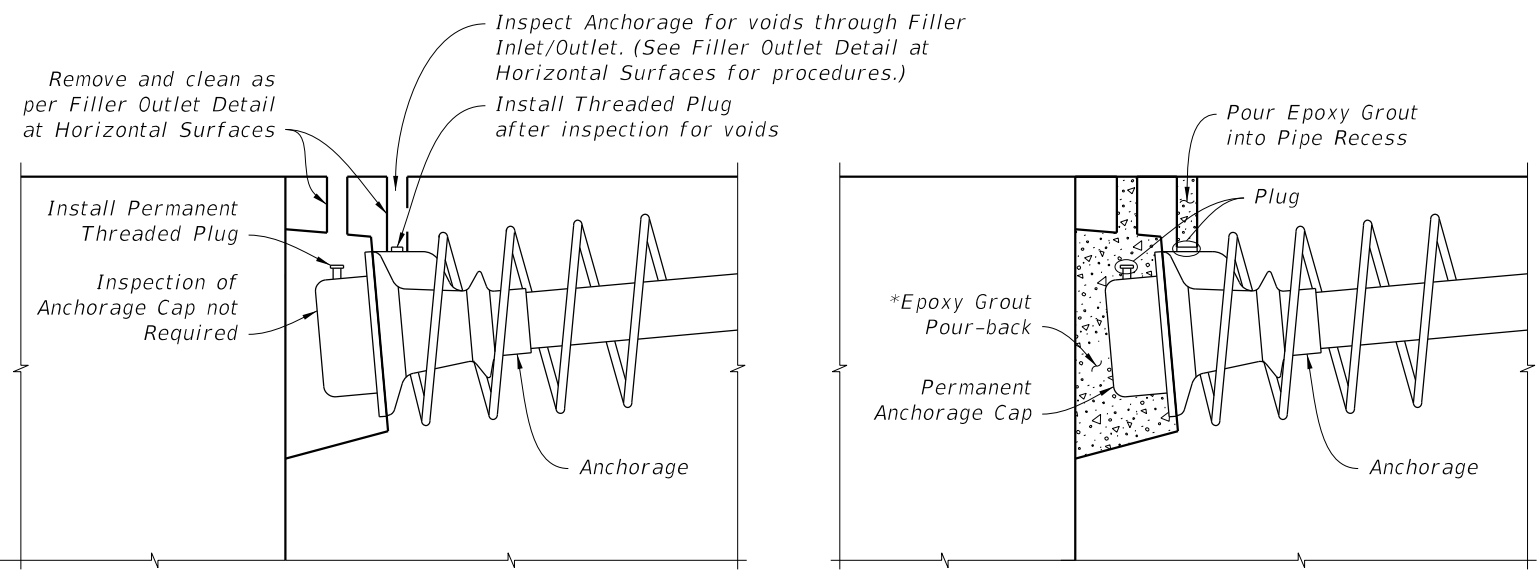
1 INSTALLATION & SHIPPING

2 FILLER INJECTION



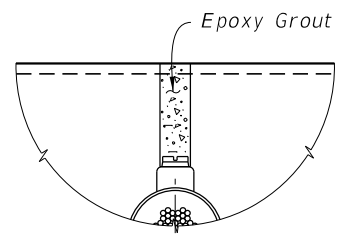
1 FILLER OUTLET CONNECTION TO DUCT

2 POCKET PREPARATION



3 INSPECTION

4 PROTECTION



3 FILLING POCKET

- PROCEDURE:**
1. Remove Rigid Filler Pipe.
 2. Inspect Tendon for voids as necessary.
 3. Vacuum inject as required. If grout is used, allow grout to cure. If flexible filler is used, replace filler displaced by inspection. Remove pipe used for vacuum injecting.
 4. Clean threads and rethread as required.
 5. Install Threaded Plug into Outlet to form a tight fit.
 6. Over-ream hole (1/4" Ø over-ream). Clean and roughen sides.
 7. Fill Pocket with Epoxy Grout.

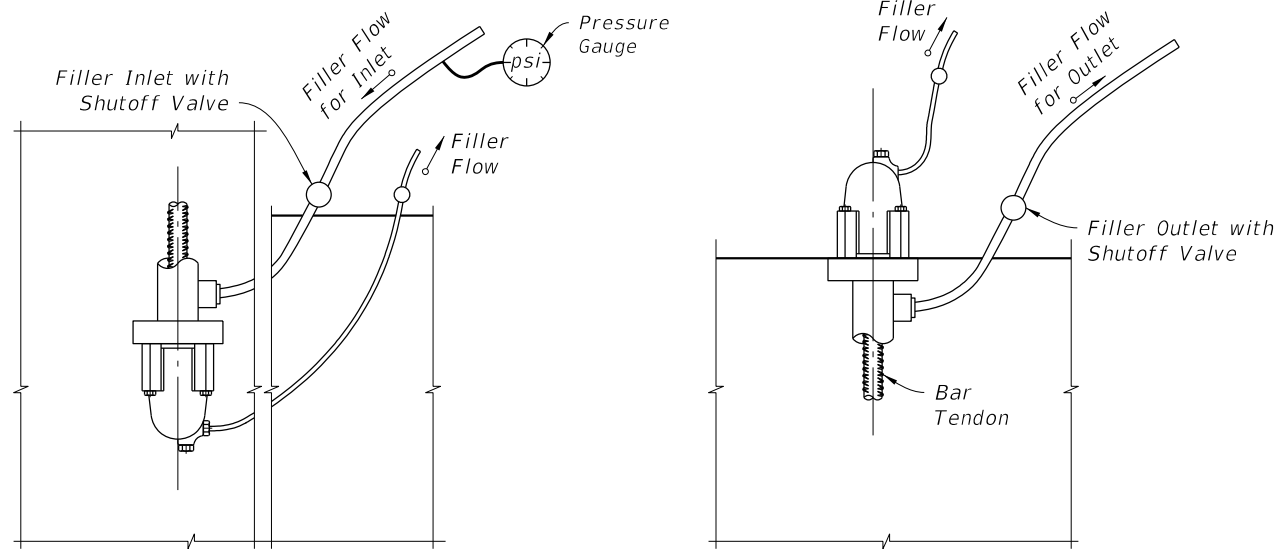
== FILLER OUTLET DETAIL AT HORIZONTAL SURFACES ==

TOP INSPECTED ANCHORAGE WITH FILLER INLET INSTALLATION, FILLER INJECTION, INSPECTION & PROTECTION

- NOTES:**
1. Holes used for the Inspection and Filler Inlets/Outlets may be formed using tapered pipes or mandrels.
 2. Where a vacuum system is connected to an anchorage, connect both the anchorage outlet and the cap outlet to the vacuum system.
- * Round ○ Pocket Former - Gravity fed placement of epoxy grout acceptable
 Modified Square ◻ Pocket Former - Gravity fed placement of epoxy grout acceptable
 Square □ Pocket Former - Vacuum epoxy grouting required

10/26/2016 9:18:41 AM

LAST REVISION 11/01/16	REVISION	DESCRIPTION:	 FY 2017-18 DESIGN STANDARDS	POST-TENSIONING ANCHORAGE AND TENDON FILLING DETAILS	INDEX NO. 21803	SHEET NO. 1 of 2
---------------------------	----------	--------------	--------------------------------------------	-----------------------------------------------------------------	---------------------------	----------------------------

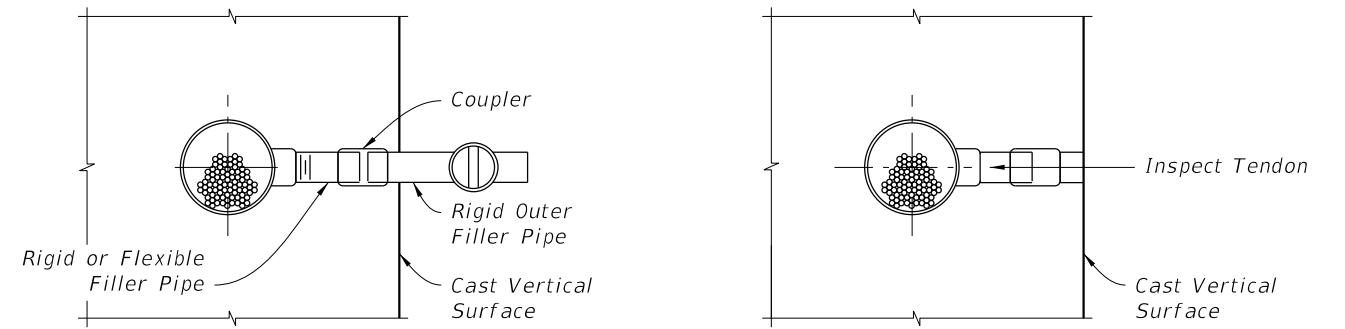


NOTES:
 1. Anchor or Nut to allow for flow of Filler into Cap.
 2. Where a vacuum system is connected to an anchorage, connect both the anchorage outlet and the cap outlet to the vacuum system.

INLET END
 (EMBEDDED ANCHORAGE SHOWN; ANCHORAGE AT CONCRETE SURFACE SIMILAR)

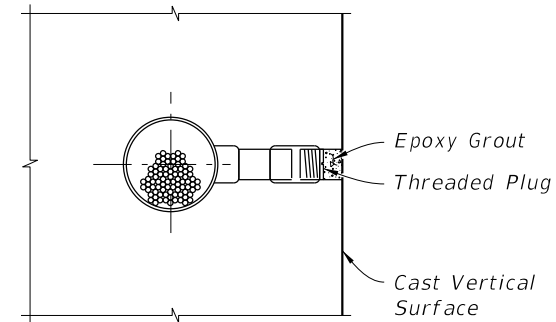
OUTLET END

FILLER INLET AND OUTLET DETAILS FOR BAR TENDONS
 (VERTICALLY ORIENTED TENDON SHOWN; HORIZONTALLY ORIENTED TENDON SIMILAR)



1 FILLER OUTLET CONNECTION TO TENDON

2 POCKET PREPARATION

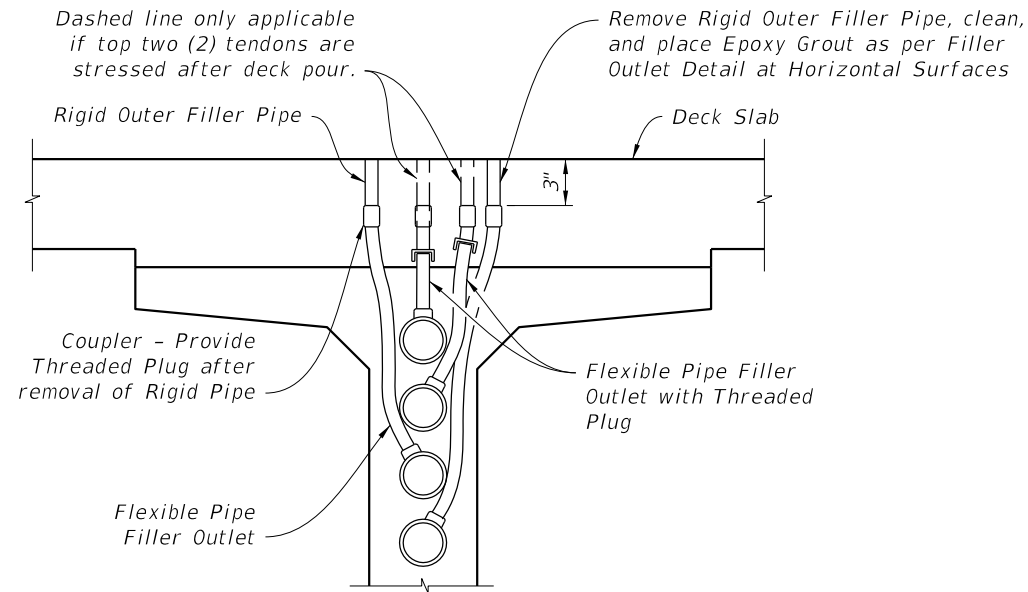


3 FILLING POCKET

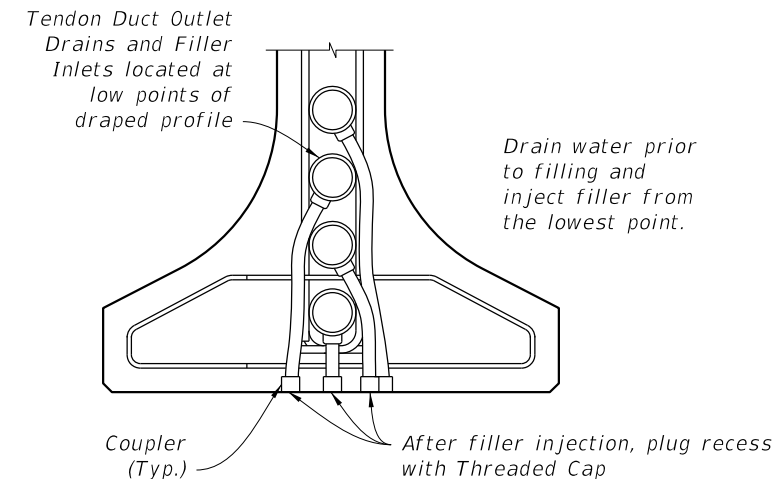
PROCEDURE:

1. Remove Rigid Filler Pipe or drill Grout in flexible pipe.
2. Inspect tendon for voids.
3. Vacuum inject as required. If grout is used, allow grout to cure. If flexible filler is used, replace filler displaced by inspection. Remove pipe used for vacuum injecting.
4. Install Threaded Plug into Outlet to form a tight fit.
5. Over-ream hole ($\frac{1}{4}$ " \varnothing over-ream). Clean and roughen sides.
6. Fill pocket with epoxy grout.

FILLER OUTLET DETAIL AT VERTICAL SURFACES



TENDONS AT HIGH POINTS AND 3' FROM HIGH POINTS (FILLER OUTLET)



TENDONS AT LOW POINTS (FILLER INLET / DRAIN)

FILLER INLET AND OUTLET DETAILS FOR I-GIRDERS
 DETAILS FOR C.I.P. BOXES WITH INTERNAL TENDONS SIMILAR. WEB REINFORCING NOT SHOWN FOR CLARITY.

10/26/2016 9:18:43 AM

LAST REVISION 11/01/16	DESCRIPTION:	 FY 2017-18 DESIGN STANDARDS	POST-TENSIONING ANCHORAGE AND TENDON FILLING DETAILS	INDEX NO. 21803	SHEET NO. 2 of 2
REVISION					