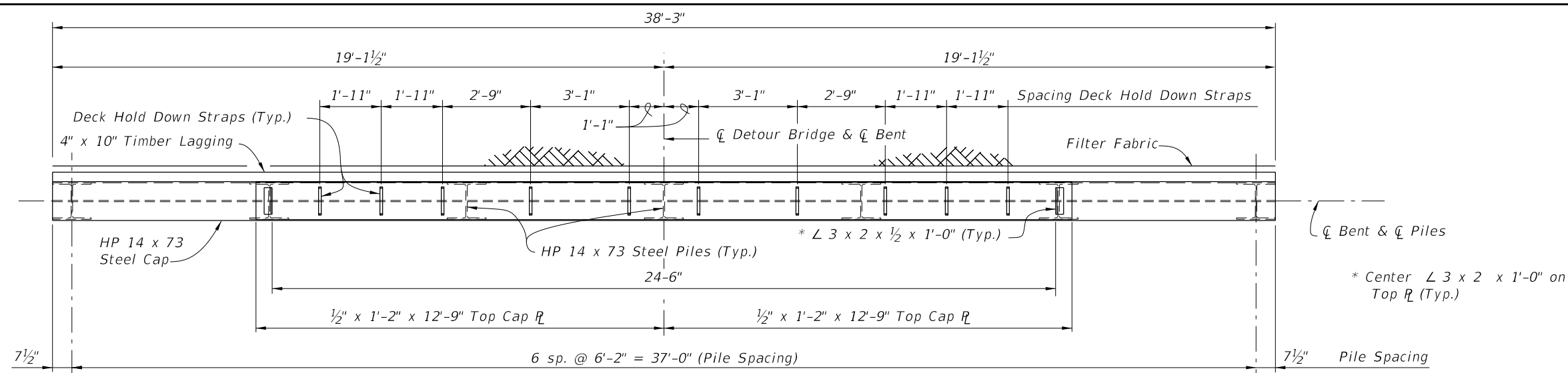


==== **FIXED BEARING DETAILS** ====

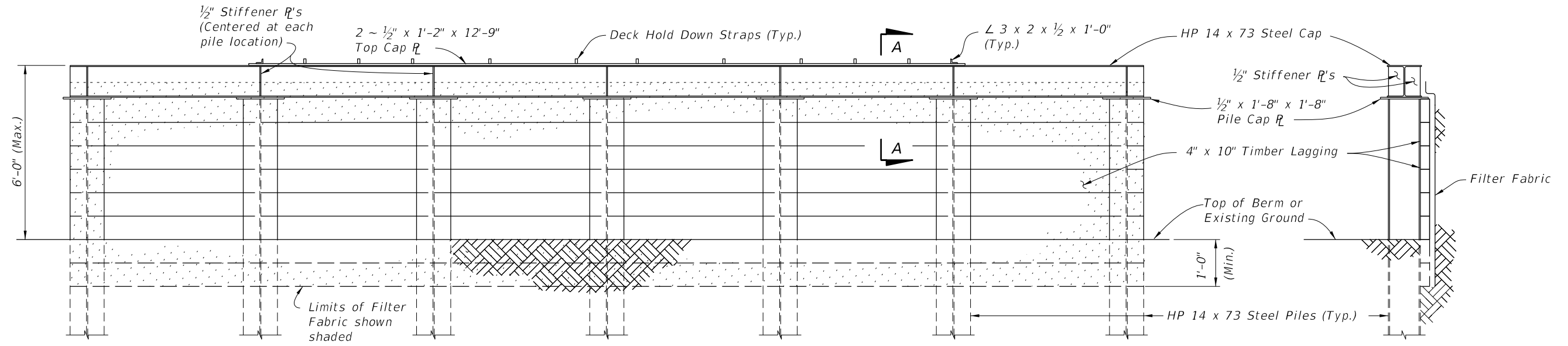
==== **EXPANSION BEARING DETAILS** ====

10/26/2016 9:10:25 AM

LAST REVISION 01/01/16	DESCRIPTION:
---------------------------	--------------

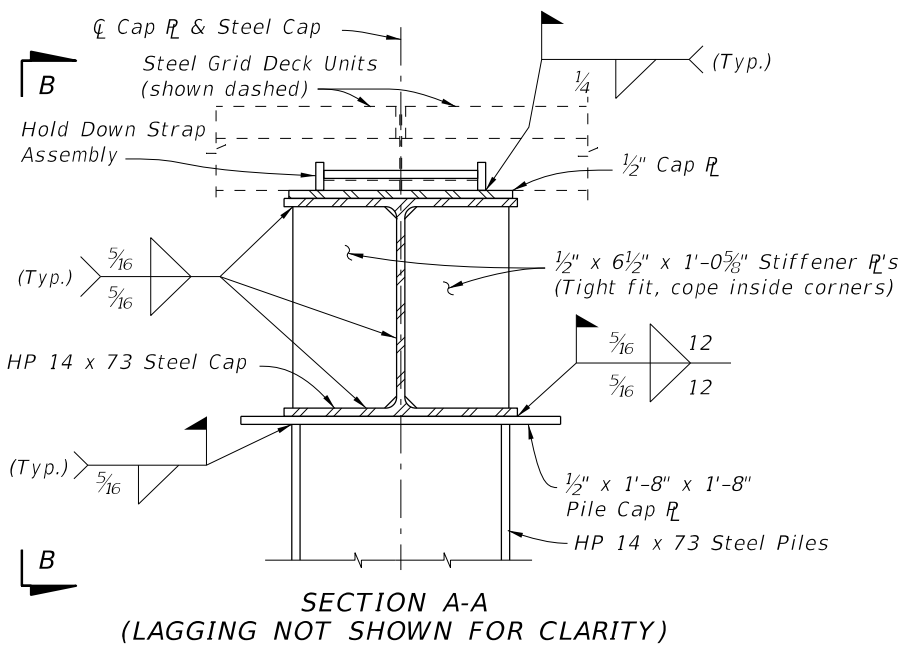


PLAN VIEW

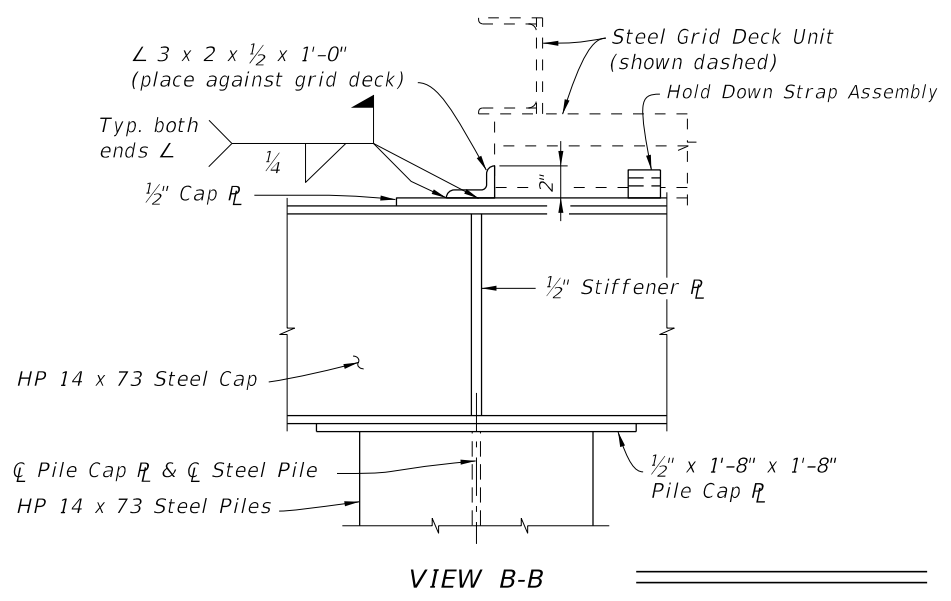


ELEVATION VIEW

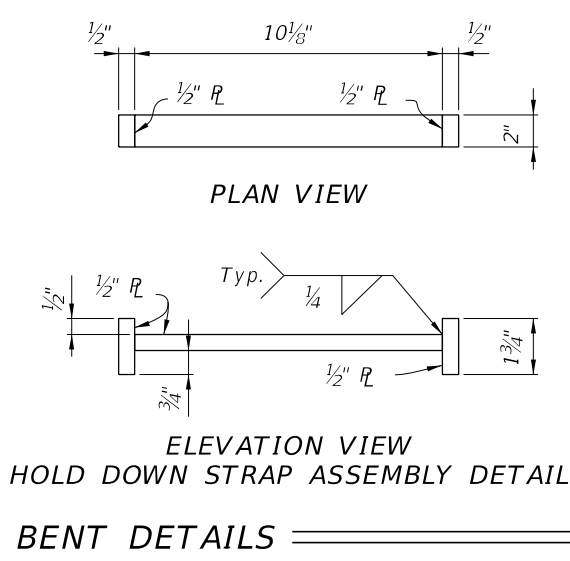
END VIEW



SECTION A-A
(LAGGING NOT SHOWN FOR CLARITY)



VIEW B-B



ELEVATION VIEW
HOLD DOWN STRAP ASSEMBLY DETAIL

BACKWALL BENT DETAILS

10/26/2016 9:10:27 AM

LAST REVISION 07/01/06	REVISION	DESCRIPTION:	 FY 2017-18 DESIGN STANDARDS	TEMPORARY DETOUR BRIDGE DETAILS STEEL H PILE FOUNDATIONS	INDEX NO. 21620	SHEET NO. 2 of 2
---------------------------	----------	--------------	------------------------------------	---	--------------------	---------------------