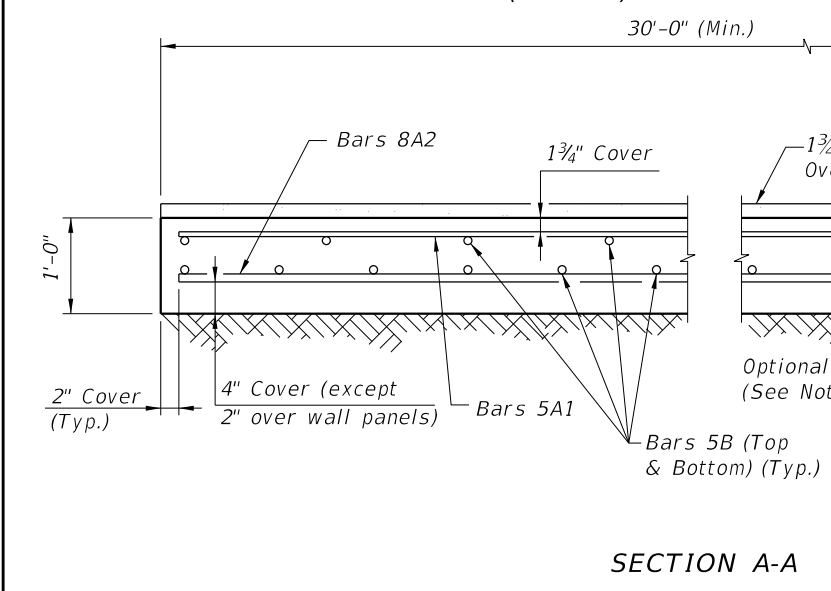
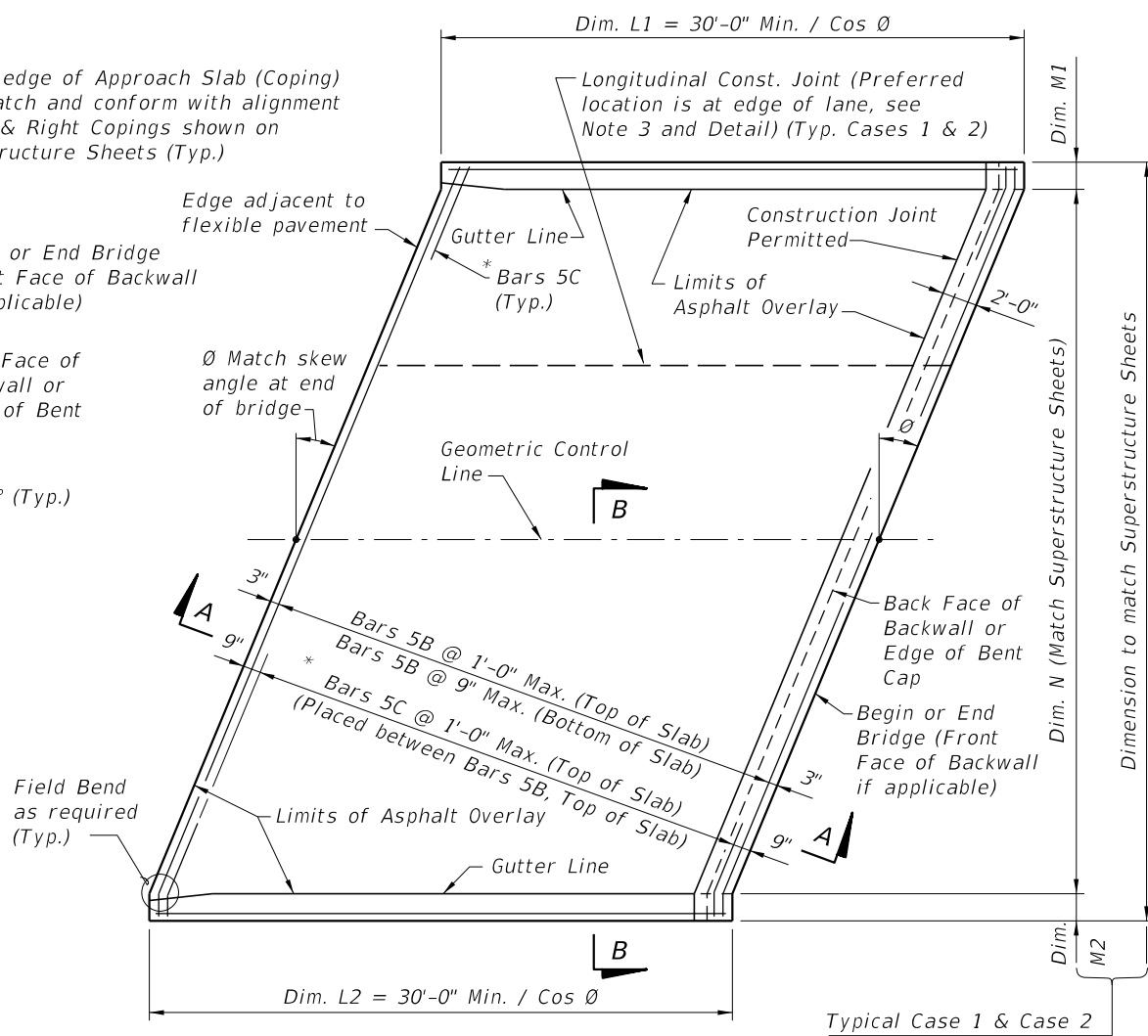


PLAN VIEW (CASE 1)

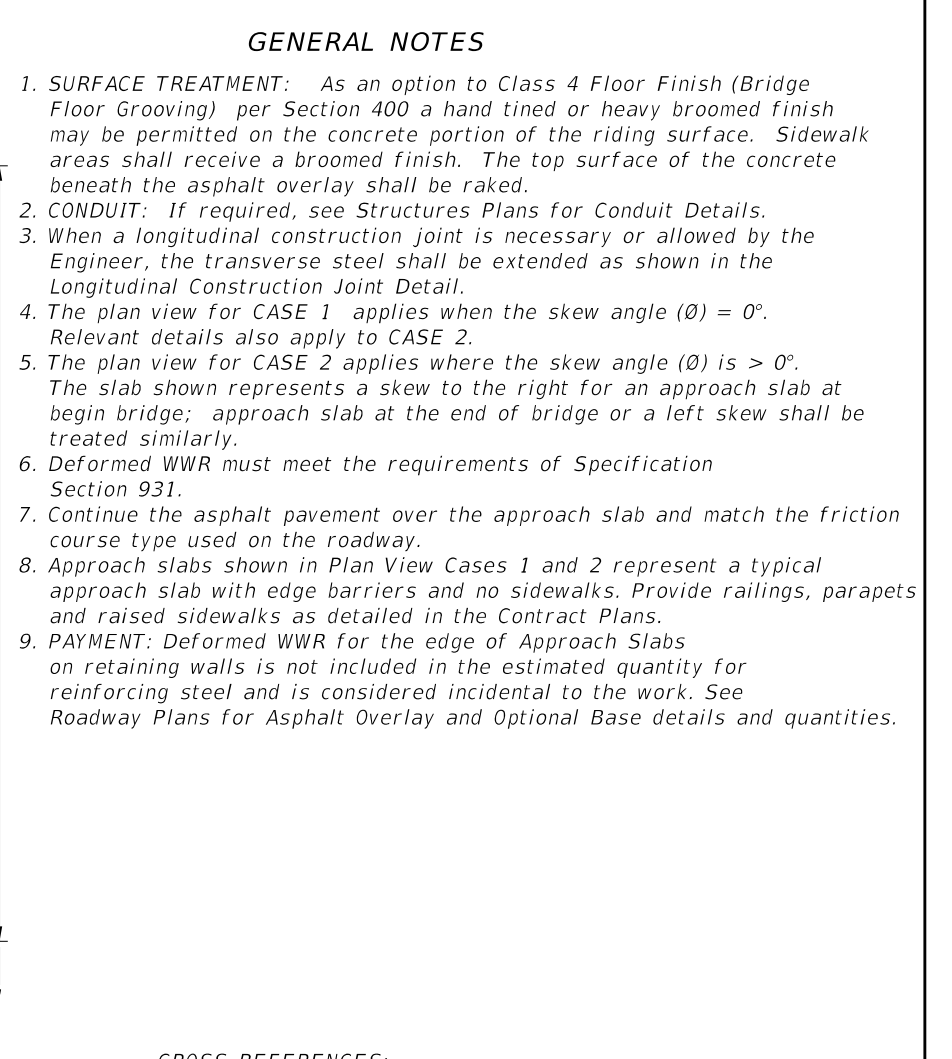


SECTION A-A



PLAN VIEW (CASE 2)

* NOTE: Bars 5C are required as shown when either the 32" or 42" F-Shape Traffic Railings or the Traffic Railing/Noise Wall are used at the edge of the Approach Slab.

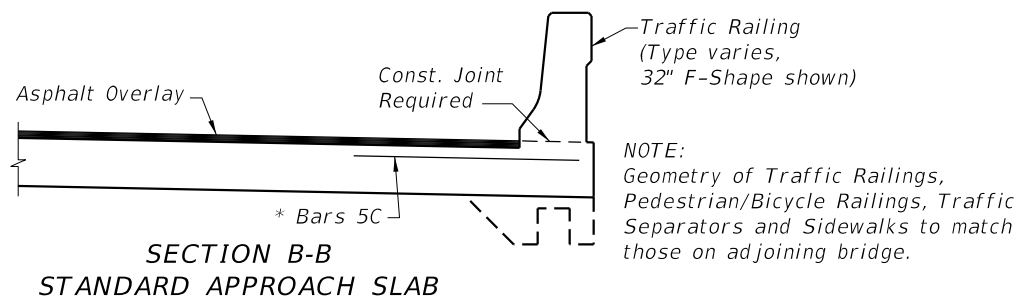


CROSS REFERENCES:

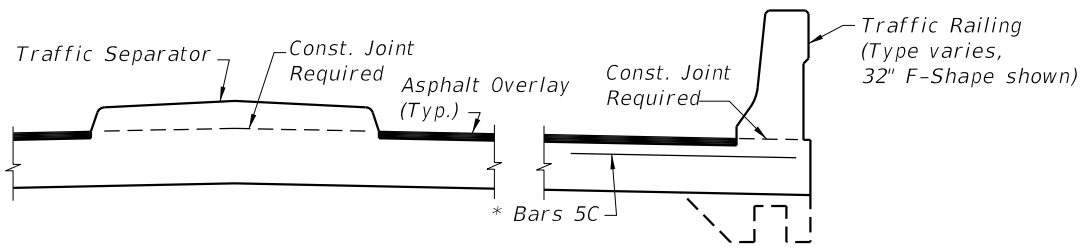
For Section B-B, Longitudinal Construction Joint Detail and Approach Slab Details see Sheet 2.

10/26/2016 9:04:09 AM

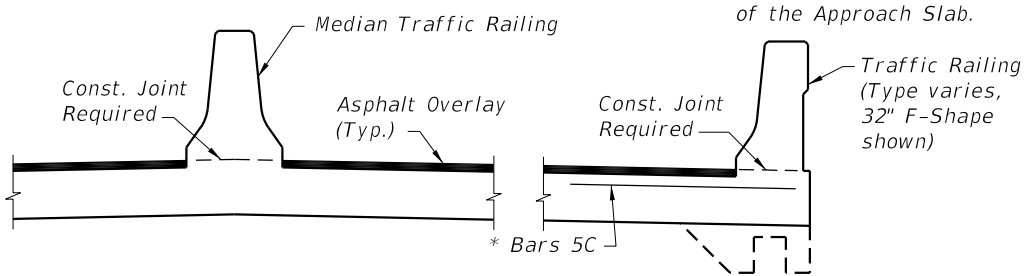
LAST REVISION 11/01/16	REVISION	DESCRIPTION:	 FY 2017-18 DESIGN STANDARDS	APPROACH SLABS (FLEXIBLE PAVEMENT APPROACHES)	INDEX NO. 20900	SHEET NO. 1 of 2
---------------------------	----------	--------------	------------------------------------	--	--------------------	---------------------



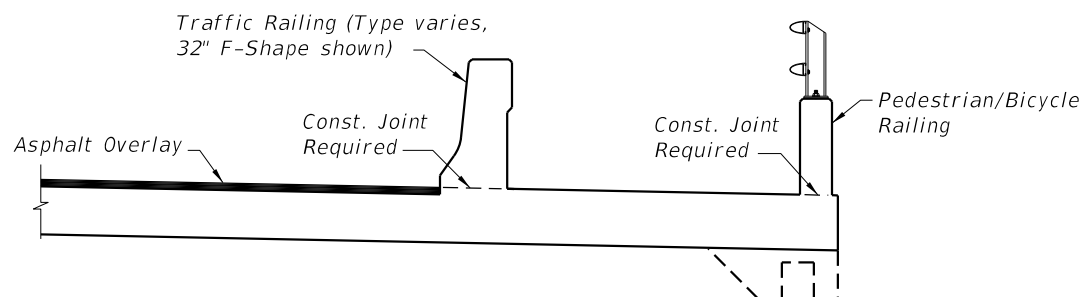
**SECTION B-B
STANDARD APPROACH SLAB**



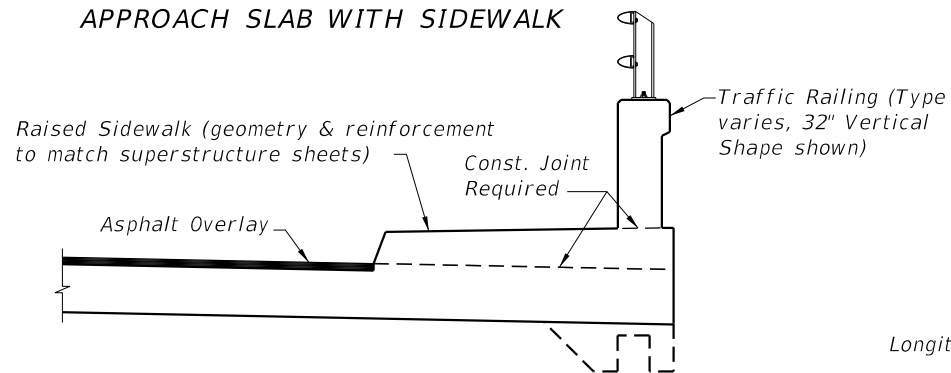
**SECTION B-B
APPROACH SLAB WITH TRAFFIC SEPARATOR**



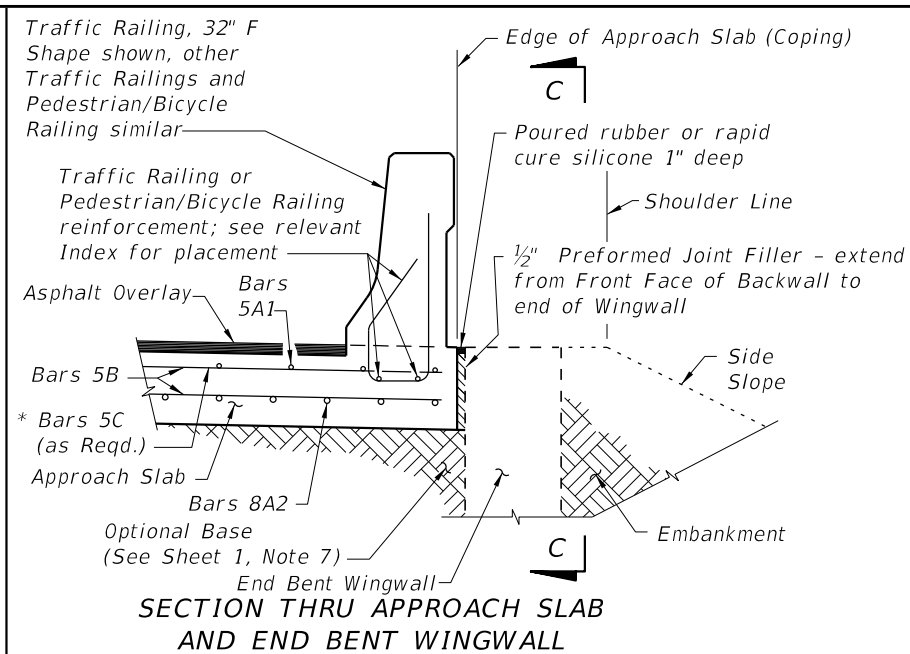
**SECTION B-B
APPROACH SLAB WITH MEDIAN TRAFFIC RAILING**



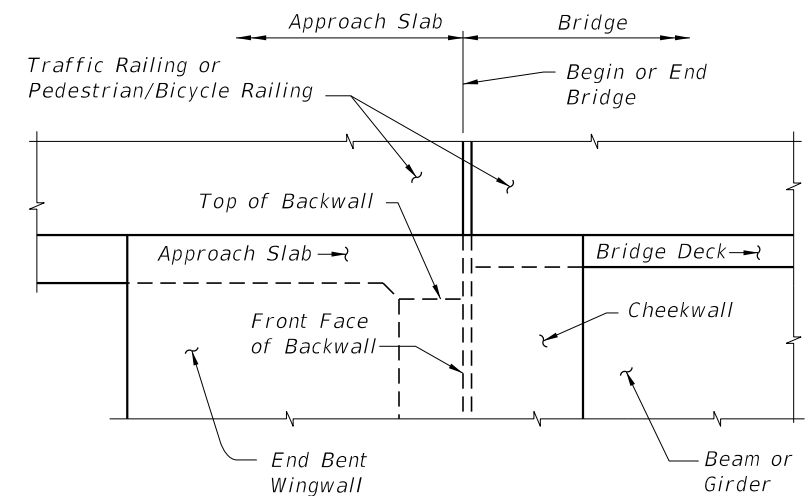
**SECTION B-B
APPROACH SLAB WITH SIDEWALK**



**SECTION B-B
APPROACH SLAB WITH RAISED SIDEWALK**

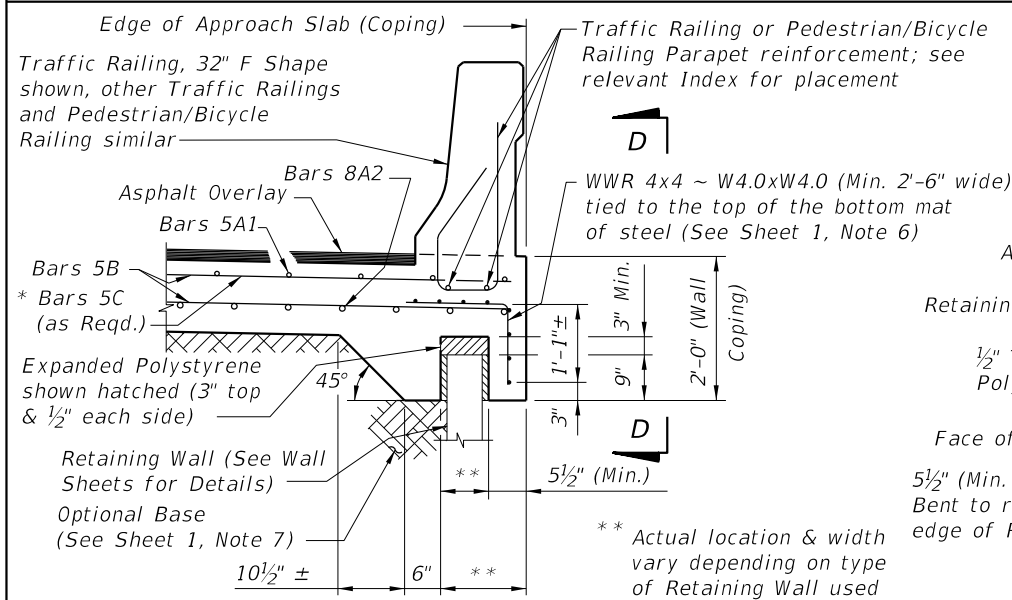


**SECTION THRU APPROACH SLAB
AND END BENT WINGWALL**

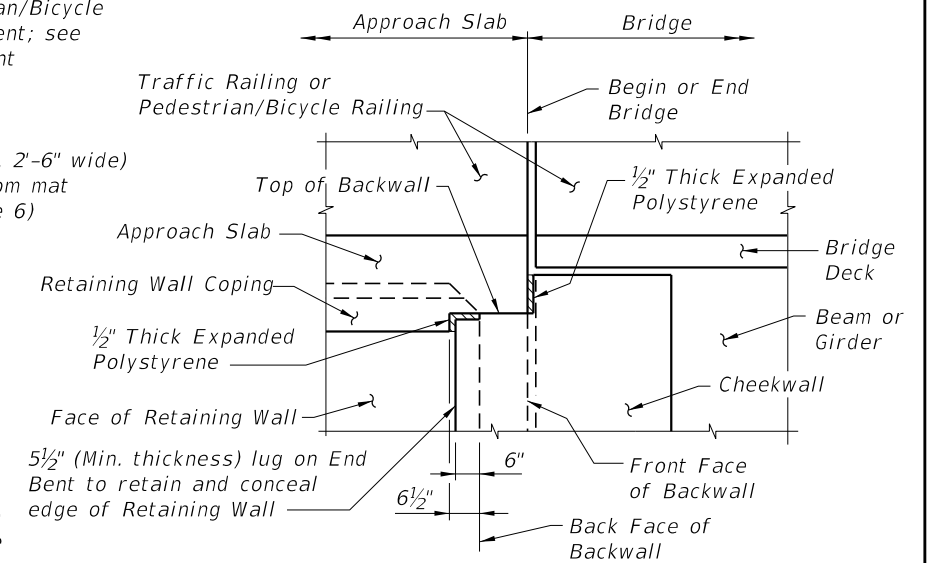


**VIEW C-C AT BEGIN OR END BRIDGE (BEAM
BRIDGE SHOWN, FLAT SLAB BRIDGE SIMILAR)**

APPROACH SLAB WITH WINGWALL DETAILS

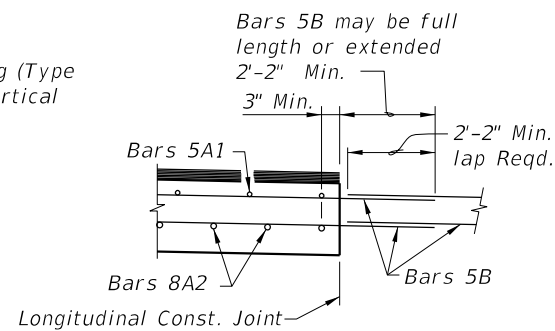


**SECTION THRU APPROACH SLAB
AND RETAINING WALL**

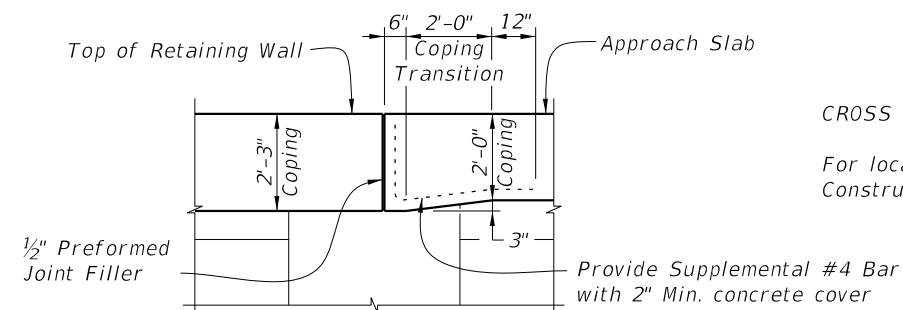


**VIEW D-D AT BEGIN OR END BRIDGE (BEAM
BRIDGE SHOWN, FLAT SLAB BRIDGE SIMILAR)**

APPROACH SLAB WITH RETAINING WALL DETAILS



**LONGITUDINAL CONSTRUCTION
JOINT DETAIL**



**COPING TRANSITION DETAIL FOR
RETAINING WALLS WITH 2'-3\"/>**

CROSS REFERENCES:

For location of Section B-B and Longitudinal Construction Joint see Sheet 1.

10/26/2016 9:04:12 AM

LAST REVISION	DESCRIPTION:
11/01/16	