
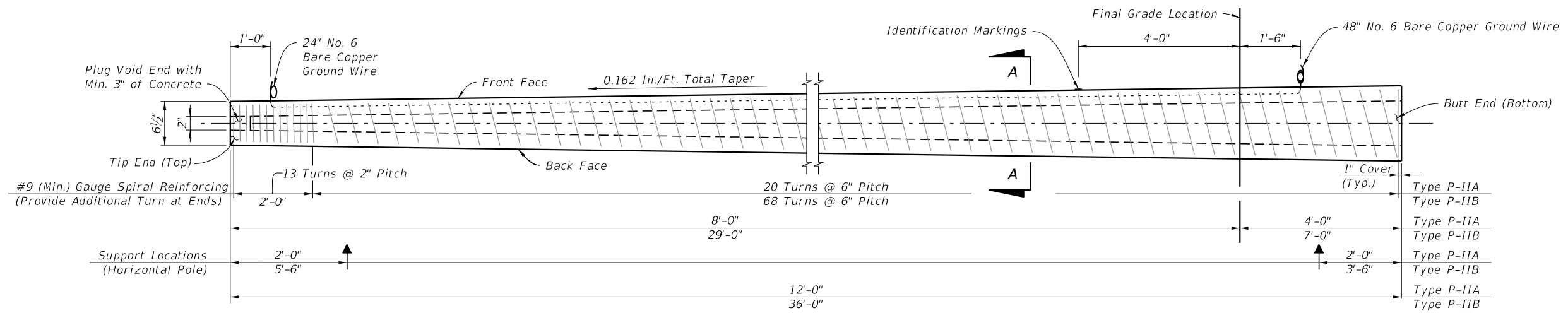


**GENERAL NOTES:**

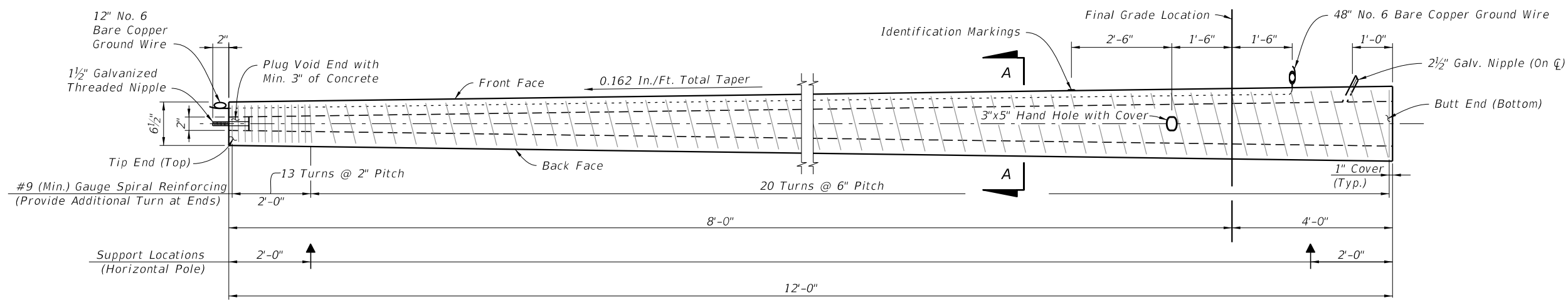
1. Work these Index drawings with the Strain Pole Schedule in the Plans.
2. Shop Drawings: This Design Standard is considered fully detailed and no shop drawings are necessary. Submit shop drawings for minor modifications not detailed in the plans.
3. Materials:
  - A. Concrete: Class V Special or Class VI
  - B. Prestress Strands & Spiral Reinforcing: Specification Section 641
  - C. Hand and coupler cover plates: Non-corrosive material
  - D. Screws: Round headed, chrome plated
4. Fabrication:
  - A. Pole Taper for pole width, strands, reinforcing and void: 0.081 in/ft per face.
  - B. Concrete Cover: 1" minimum
  - C. Spiral Reinforcing: As shown, plus one turn for splices and two turns at both the tip and butt ends of the pole.
  - D. The design dimensions for Front Face (FF) and Back Face (BF) of the poles may vary transversely from the section shown by  $\pm \frac{1}{4}$ " to assist with removal from forms. Balance addition and subtraction of the face widths to maintain section areas shown.
  - E. Tie ground wires to the interior of reinforcing steel to prevent displacement during concreting operations.
  - F. Cut the tip end of the prestressed strand first or simultaneously with the butt end.
  - G. Provide cover plates and screws for hand hole and couplers. Attach cover plates to the poles using lead anchors or embedded threaded inserts.
  - H. Provide Aluminum Identification Tags on the poles with the following information:
    - a. Financial Project ID.
    - b. Pole Manufacturer
    - c. Standard Pole Type Number
    - d. Pole Length (L)
5. Support locations are for strand release, storage, lifting and transport. Keep BF oriented downward until final erection.
6. Pick-up and support locations shown may vary within a tolerance of  $\pm 3$ ".
7. Two point attachment: provide an eye bolt hole for the messenger wire.
8. Tether Wire: When required, field-drill the eyebolt hole prior to installation

10/14/2016 11:48:23 AM

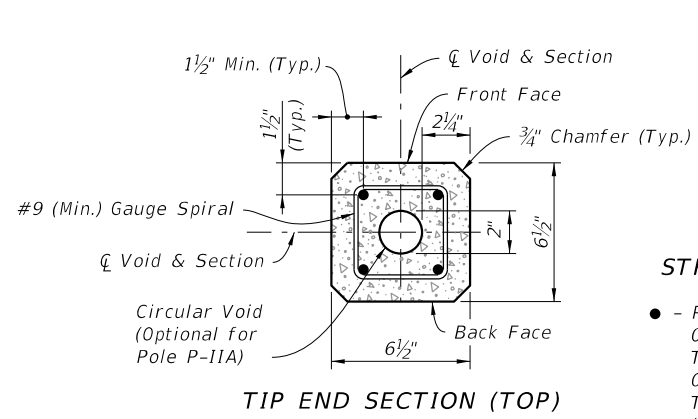
LAST REVISION 07/01/15	REVISION	DESCRIPTION:	 <b>FY 2017-18</b> <b>DESIGN STANDARDS</b>	<b>CONCRETE POLES</b>	INDEX NO. <b>17725</b>	SHEET NO. <b>1 of 8</b>
------------------------------	----------	--------------	---	-----------------------	------------------------------	-------------------------------



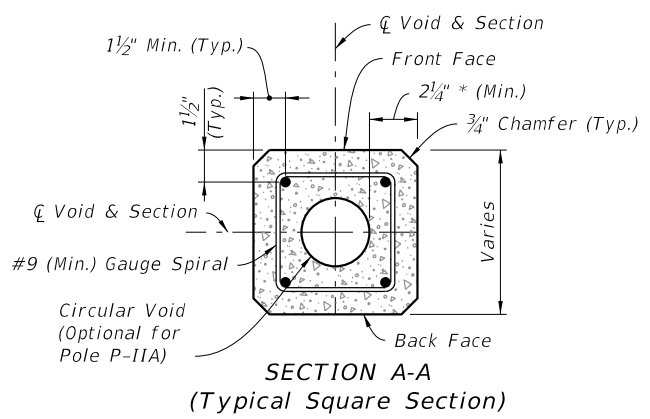
**SERVICE POLE P-IIA (12 Ft.) & P-IIB (36 Ft.) ELEVATION**  
(Strands Not Shown)



**PEDESTAL POLE P-IIC (12 Ft.) ELEVATION**  
(Strands Not Shown)



**TIP END SECTION (TOP)**



**SECTION A-A**  
(Typical Square Section)

- STRAND LEGEND**
- - Prestressed Strand:  
0.5 in. ~ 24 kips Before Transfer or  
0.375 in. ~ 14 kips Before Transfer  
(4 strands total)

**NOTES:**

Strands shown are continuous from Tip End to Butt End.

Elevation view scale is exaggerated vertically for clarity.

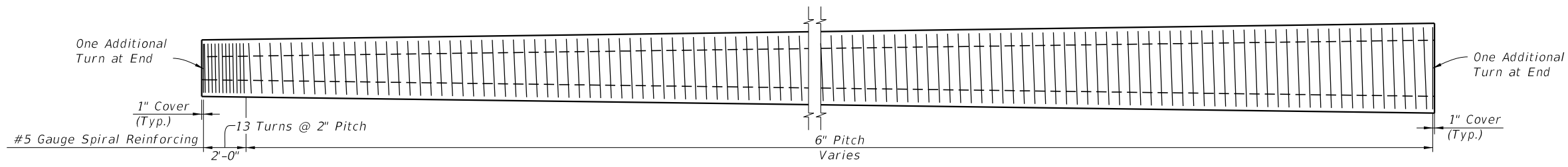
For final erection, tilt pole upright with single point attachment located a distance of 4 Ft. (for P-IIA & P-IIC) or 10 Ft. (for P-IIB) from the Tip End.

\* Dimension may vary from 2 1/4" to 3 1/2" to accommodate smaller radius of optional stepped (PVC) void. The void diameter shall not be less than 2".

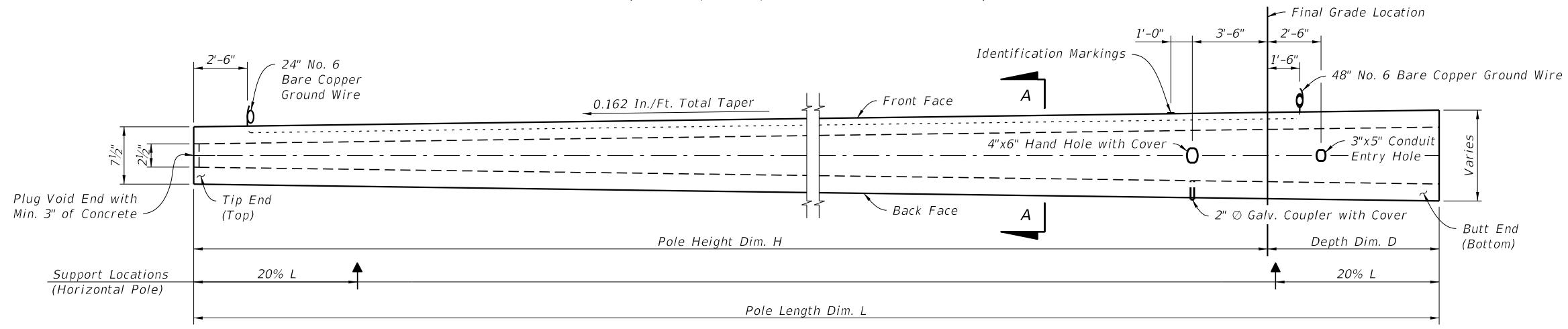
**SERVICE AND PEDESTAL POLE TYPE P-II**

10/14/2016 11:48:26 AM

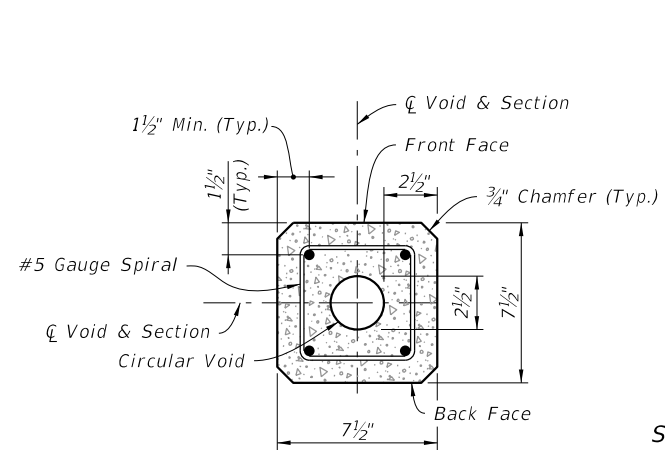
LAST REVISION 11/01/16	REVISION	DESCRIPTION:	 <b>FY 2017-18</b> <b>DESIGN STANDARDS</b>	<b>CONCRETE POLES</b>	INDEX NO. <b>17725</b>	SHEET NO. <b>2 of 8</b>
---------------------------	----------	--------------	--	-----------------------	---------------------------	----------------------------



**SPIRAL REINFORCING ELEVATION**  
(Strands, Holes, and Fixtures Not Shown)

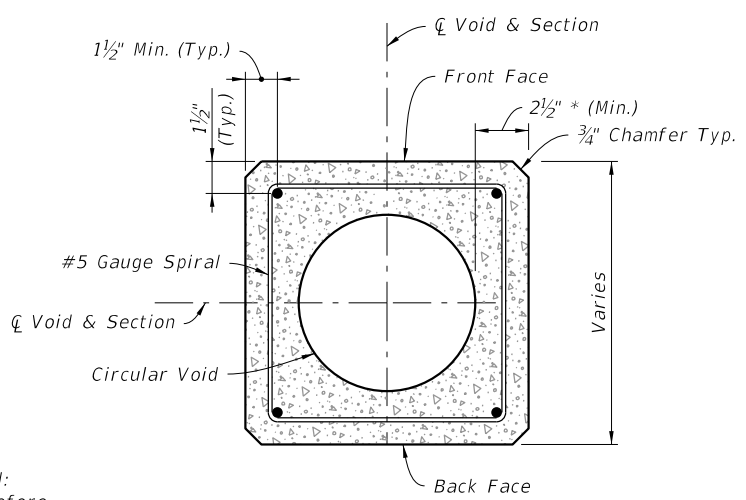


**POLE ELEVATION**  
(Strands and Reinforcing Not Shown)



**TIP END SECTION (TOP)**

**STRAND LEGEND**  
● - Prestressed Strand:  
0.5 in. ~ 31 kips Before  
Transfer (4 strands total)



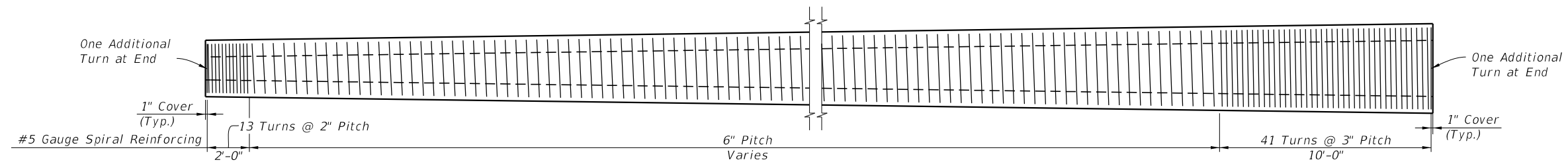
**SECTION A-A**  
(Typical Square Section)

**NOTES:**  
Strands shown are continuous from Tip End to Butt End.  
Elevation view scale is exaggerated vertically for clarity.  
For final erection, tilt pole upright with single point attachment located a distance 33.3% L from Tip End.  
\* Dimension may vary from 2 1/2" to 3 3/4" to accommodate smaller radius of optional stepped (PVC) void. The void diameter shall not be less than 2 1/2".

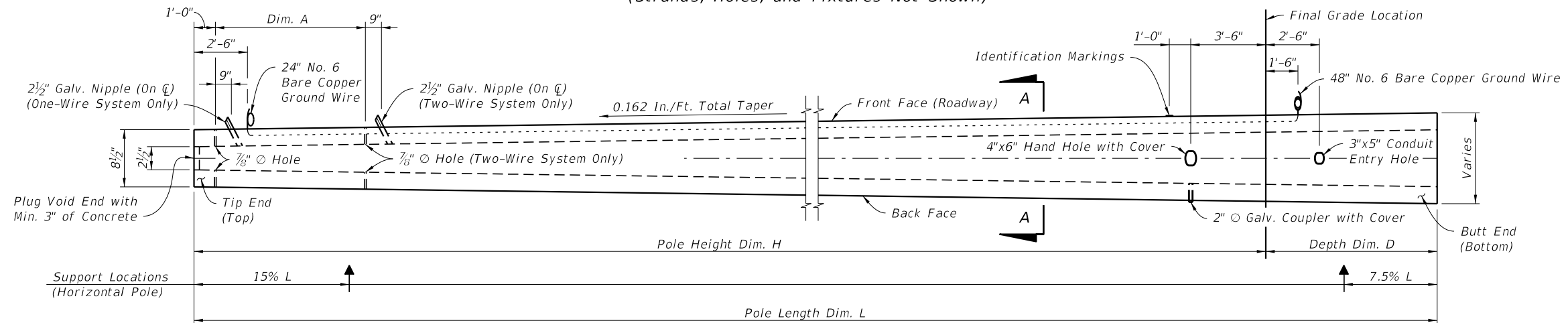
10/14/2016 11:48:28 AM

**POLE TYPE P-III**

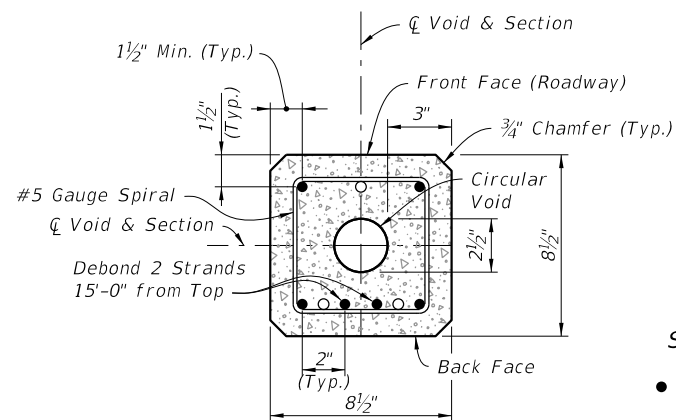
LAST REVISION 11/01/16	REVISION	DESCRIPTION:	<b>FY 2017-18 DESIGN STANDARDS</b>	<b>CONCRETE POLES</b>	INDEX NO. <b>17725</b>	SHEET NO. <b>3 of 8</b>
---------------------------	----------	--------------	--	-----------------------	---------------------------	----------------------------



**SPIRAL REINFORCING ELEVATION**  
(Strands, Holes, and Fixtures Not Shown)



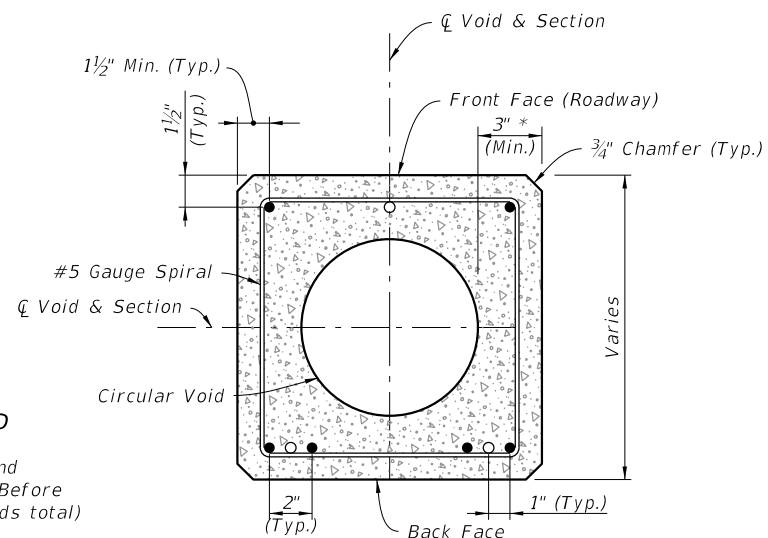
**POLE ELEVATION**  
(Strands and Reinforcing Not Shown)



**TIP END SECTION (TOP)**  
(For Dormant Strand Locations See Section A-A)

**STRAND LEGEND**

- - Prestressed Strand  
0.5 in. ~ 31 kips Before Transfer (6 strands total)
- - Dormant Strand  
0.5 in. (3 strands total)  
One 24" Splice Allowed Per Strand



**SECTION A-A**  
(Typical Square Section)

**NOTES:**

Strands shown are continuous from Tip End to Butt End.

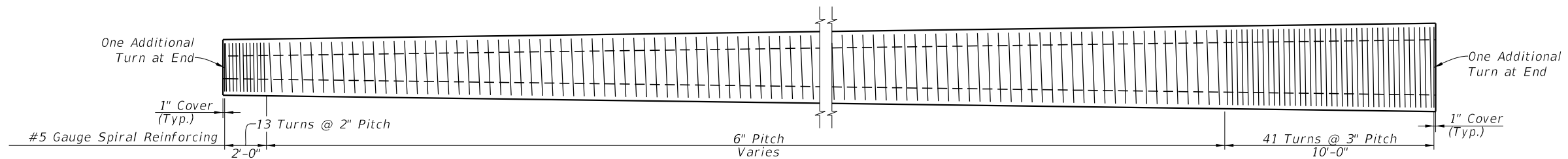
Elevation view scale is exaggerated vertically for clarity.

For final erection, tilt pole upright with single point attachment located a distance 20% L from the Tip End.

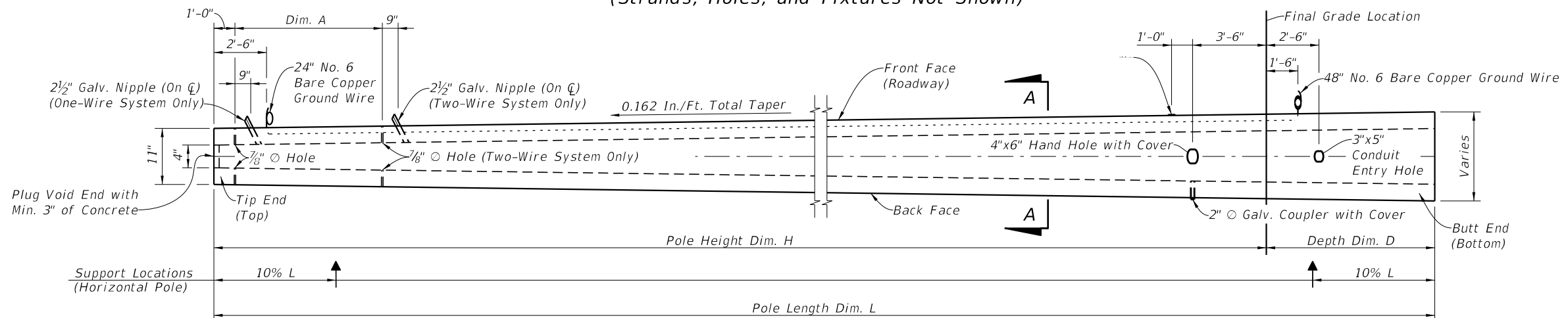
\* Dimension may vary from 3" to 4 1/4" to accommodate smaller radius of optional stepped (PVC) void. The void diameter shall not be less than 2 1/2".

10/14/2016 11:48:31 AM

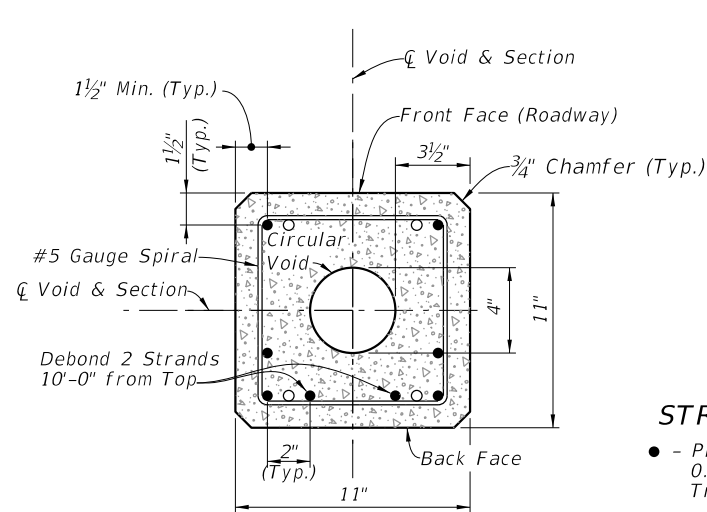
LAST REVISION 11/01/16	DESCRIPTION:	<b>FY 2017-18 DESIGN STANDARDS</b>	<b>CONCRETE POLES</b>	INDEX NO. <b>17725</b>	SHEET NO. <b>4 of 8</b>
---------------------------	--------------	--	-----------------------	---------------------------	----------------------------



**SPIRAL REINFORCING ELEVATION**  
(Strands, Holes, and Fixtures Not Shown)



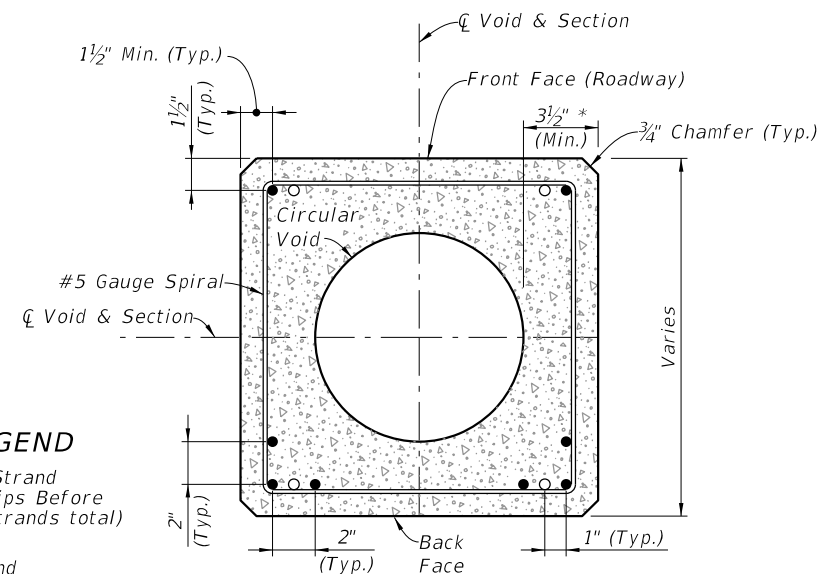
**POLE ELEVATION**  
(Strands and Reinforcing Not Shown)



**TIP END SECTION (TOP)**  
(For Dormant Strand Locations, See Section A-A)

**STRAND LEGEND**

- - Prestressed Strand  
0.5 in. ~ 31 kips Before Transfer (8 strands total)
- - Dormant Strand  
0.5 in. (4 strands total)  
One 24" Splice Allowed Per Strand



**SECTION A-A**  
(Typical Square Section)

**NOTES:**

Strands shown are continuous from Tip End to Butt End.

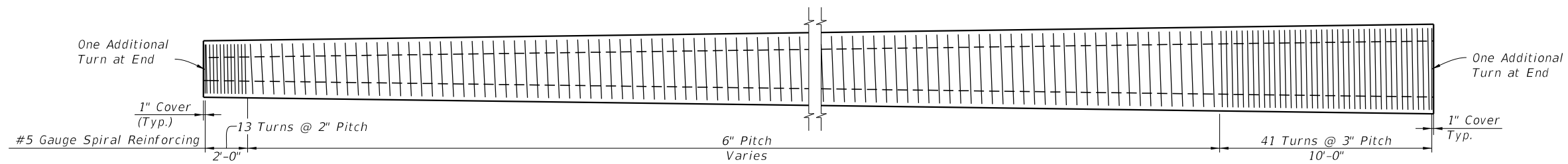
Elevation view scale is exaggerated vertically for clarity.

For final erection, tilt pole upright with single point attachment located a distance 12.5% L from the Tip End.

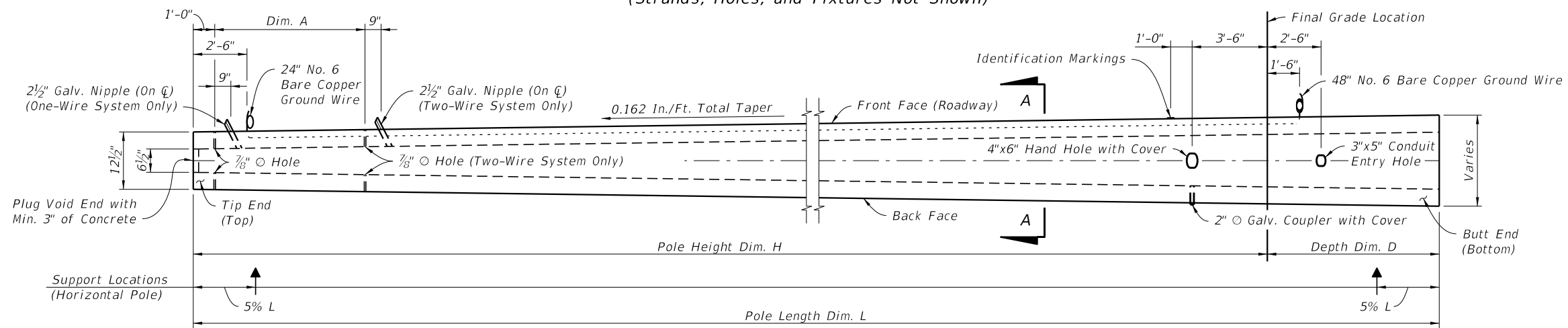
\* Dimension may vary from 3 1/2" to 4 3/4" to accommodate smaller radius of optional stepped (PVC) void. The void diameter shall not be less than 4".

10/14/2016 11:48:33 AM

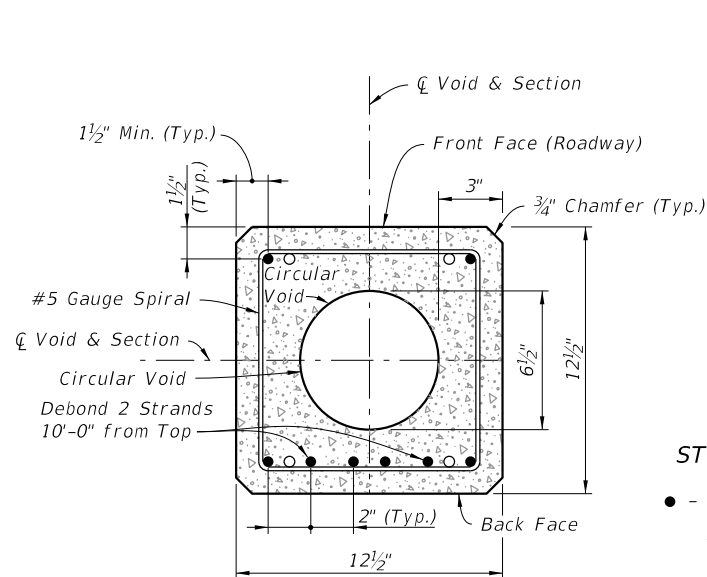
LAST REVISION 11/01/16	DESCRIPTION:	<b>FY 2017-18 DESIGN STANDARDS</b>	<b>CONCRETE POLES</b>	INDEX NO. 17725	SHEET NO. 5 of 8
---------------------------	--------------	--	-----------------------	--------------------	---------------------



**SPIRAL REINFORCING ELEVATION**  
(Strands, Holes, and Fixtures Not Shown)



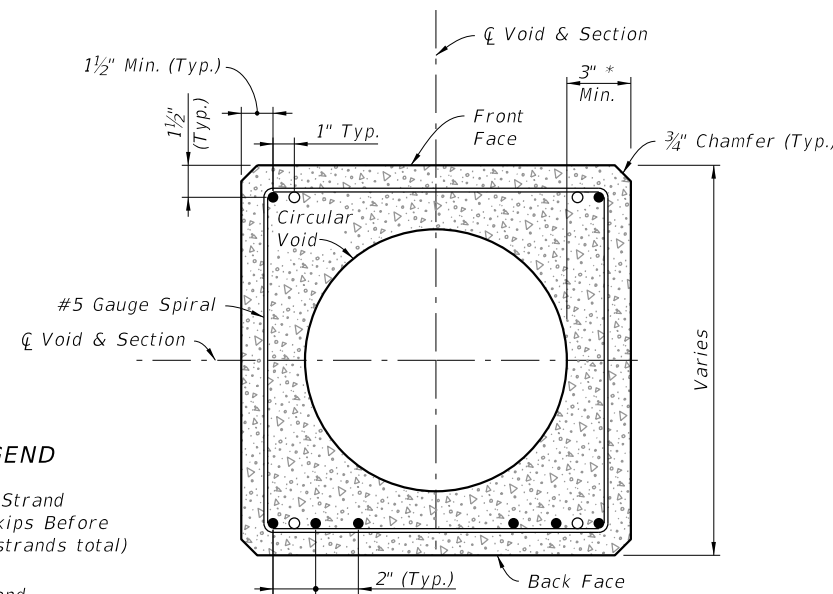
**POLE ELEVATION**  
(Strands and Reinforcing Not Shown)



**TIP END SECTION (TOP)**  
(For Dormant Strand Locations, See Section A-A)

**STRAND LEGEND**

- - Prestressed Strand  
0.5 in. ~ 31 kips Before Transfer (8 strands total)
- - Dormant Strand  
0.5 in. (4 strands total)  
One 24" Splice Allowed Per Strand



**SECTION A-A**  
(Typical Square Section)

**NOTES:**

Strands shown are continuous from Tip End to Butt End.

Elevation view scale is exaggerated vertically for clarity.

For final erection, tilt pole upright with single point attachment located a distance 10% L from Tip End.

\* Dimension may vary from 3" to 4 1/4" to accommodate smaller radius of optional stepped (PVC) void. The void diameter shall not be less than 6 1/2".

10/14/2016 11:48:36 AM

LAST REVISION 11/01/16	DESCRIPTION:
---------------------------	--------------

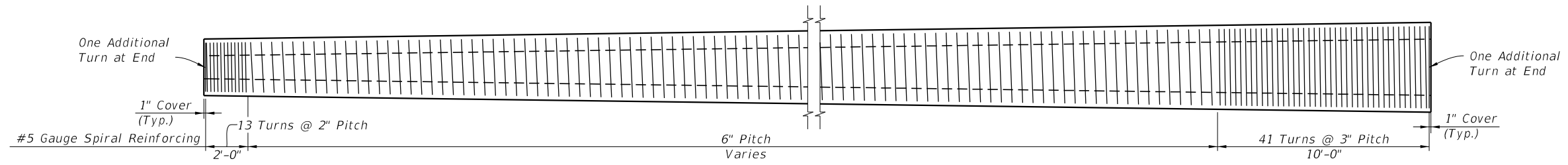
**FDOT** FY 2017-18  
DESIGN STANDARDS

CONCRETE POLES

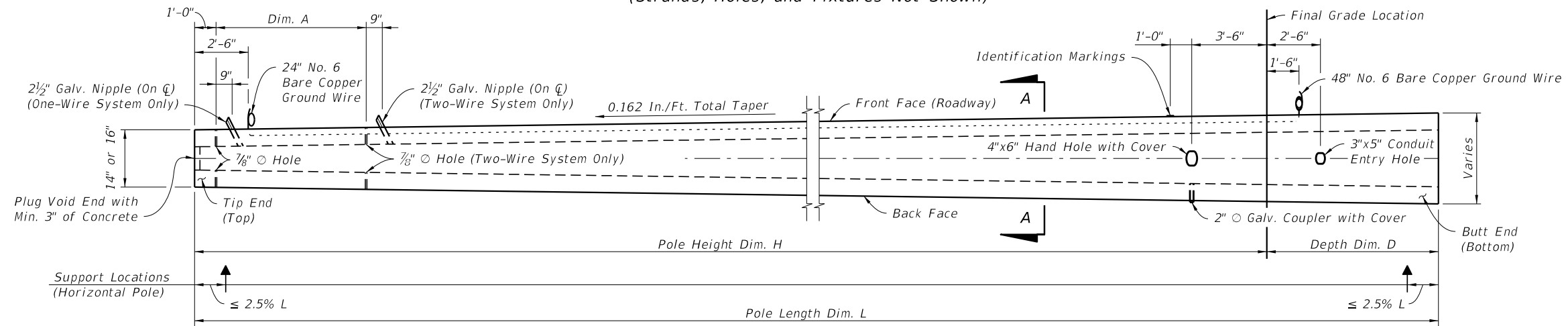
INDEX NO.  
17725

SHEET NO.  
6 of 8

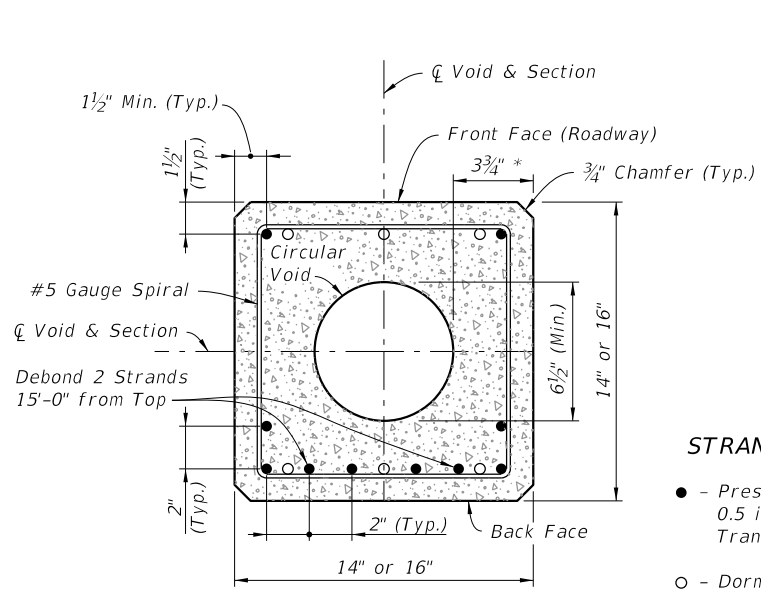
**STRAIN POLE TYPE P-VI**



**SPIRAL REINFORCING ELEVATION**  
(Strands, Holes, and Fixtures Not Shown)



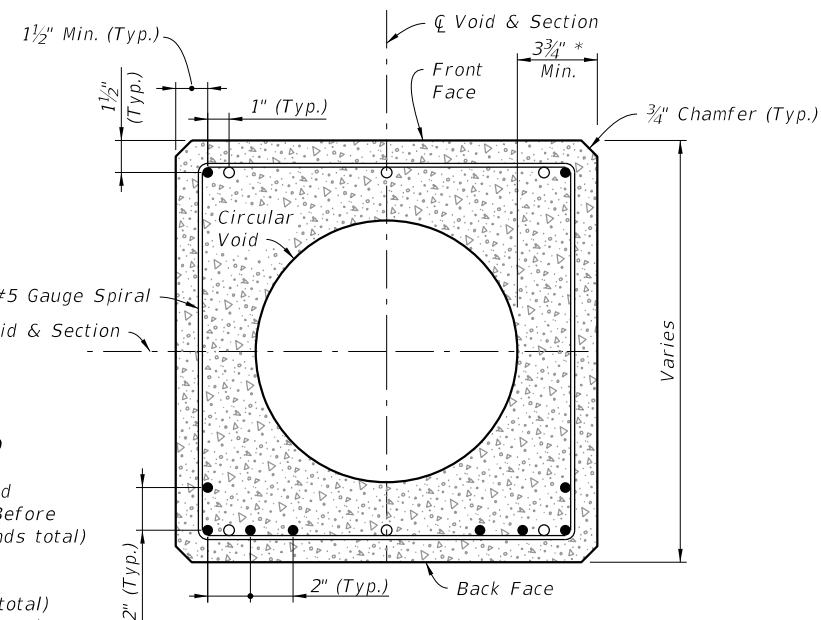
**POLE ELEVATION**  
(Strands and Reinforcing Not Shown)



**TIP END SECTION (TOP)**  
(For Dormant Strand Locations, See Section A-A)

**STRAND LEGEND**

- - Prestressed Strand  
0.5 in. ~ 31 kips Before Transfer (10 strands total)
- - Dormant Strand  
0.5 in. (6 strands total)  
One 24" Splice Allowed Per Strands



**SECTION A-A**  
(Typical Square Section)

**NOTES:**

Strands shown are continuous from Tip End to Butt End.

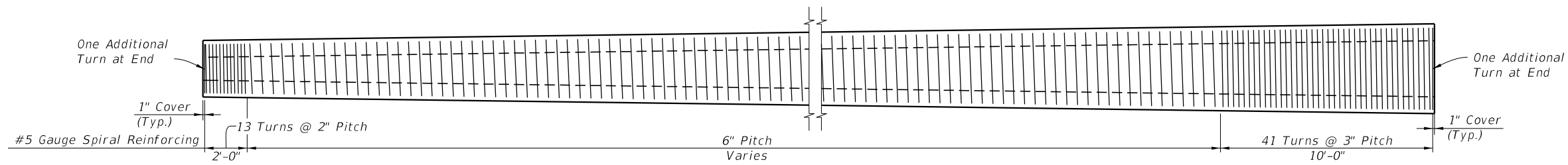
Elevation view scale is exaggerated vertically for clarity.

For final erection, tilt pole upright with single point attachment located a distance 10% L from the Tip End.

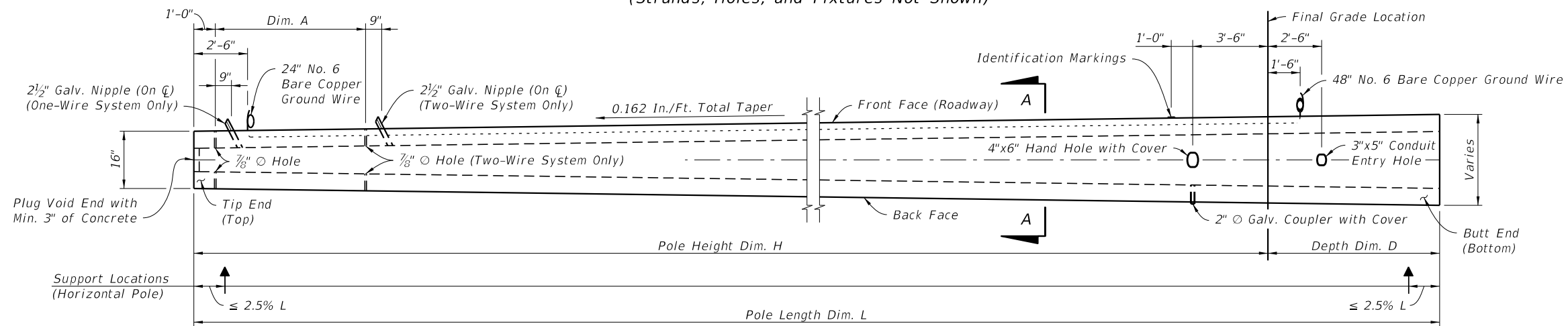
\* Dimension may vary from 3 3/4" to 5" to accommodate smaller radius of optional stepped (PVC) void. The void diameter shall not be less than 6 1/2".

10/14/2016 11:48:38 AM

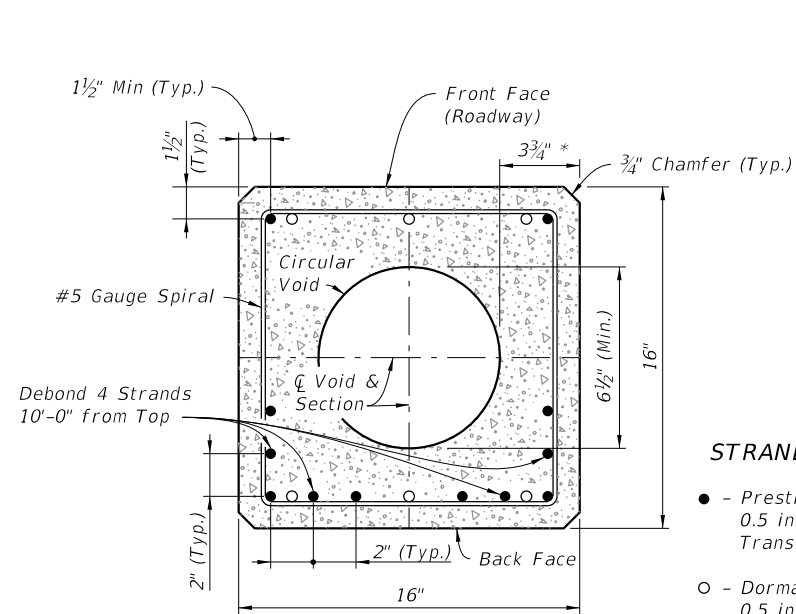
LAST REVISION 11/01/16	DESCRIPTION:
---------------------------	--------------



**SPIRAL REINFORCING ELEVATION**  
(Strands, Holes, and Fixtures Not Shown)



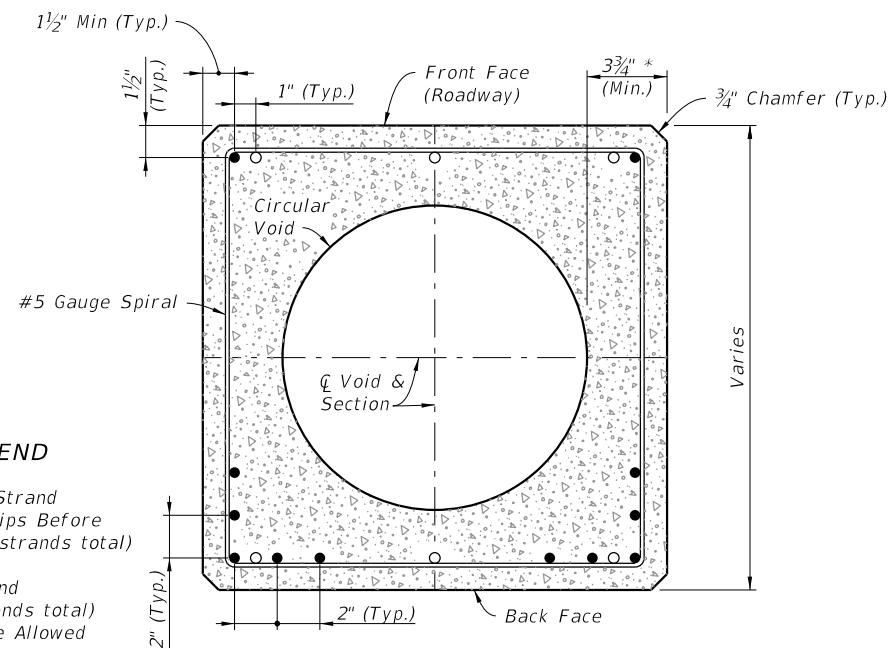
**POLE ELEVATION**  
(Strands and Reinforcing Not Shown)



**TIP END SECTION (TOP)**  
(For Dormant Strand Locations, See Section A-A)

**STRAND LEGEND**

- - Prestressed Strand  
0.5 in. ~ 31 kips Before Transfer (12 strands total)
- - Dormant Strand  
0.5 in. (6 strands total)  
One 24" Splice Allowed Per Strand



**SECTION A-A**  
(Typical Square Section)

**NOTES:**

Strands shown are continuous from Tip End to Butt End.

Elevation view scale is exaggerated vertically for clarity.

For final erection, tilt pole upright with single point attachment located a distance 10% L from the Tip End.

\* Dimension may vary from 3 3/4" to 5" to accommodate smaller radius of optional stepped (PVC) void. The void diameter shall not be less than 6 1/2".

10/14/2016 11:48:41 AM

LAST REVISION 11/01/16	DESCRIPTION:
---------------------------	--------------