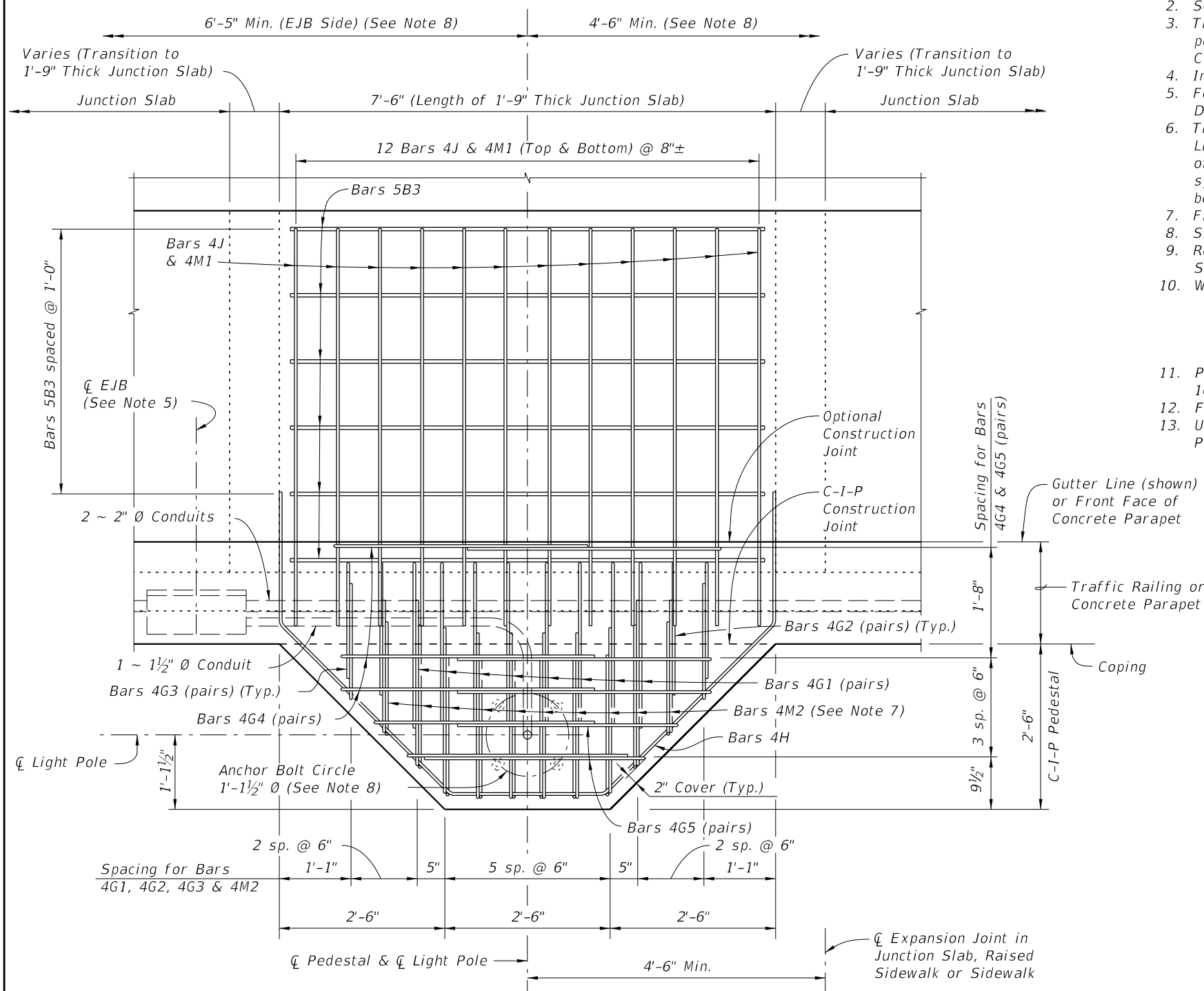


LIGHT POLE PEDESTAL NOTES:

- The pedestal and junction slab are designed to resist the following working loads from the light pole applied at the top of the Pedestal:

Axial Deadload	=	1.560 kip
Wind load Moment about Transverse Axis (*)	=	40.60 kip-ft
Wind load Moment about Longitudinal Axis (*)	=	28.30 kip-ft
Dead load Moment about Longitudinal Axis (*)	=	1.690 kip-ft
Maximum Shear	=	1.380 kip
Torsion about Pole Axis	=	3.560 kip-ft

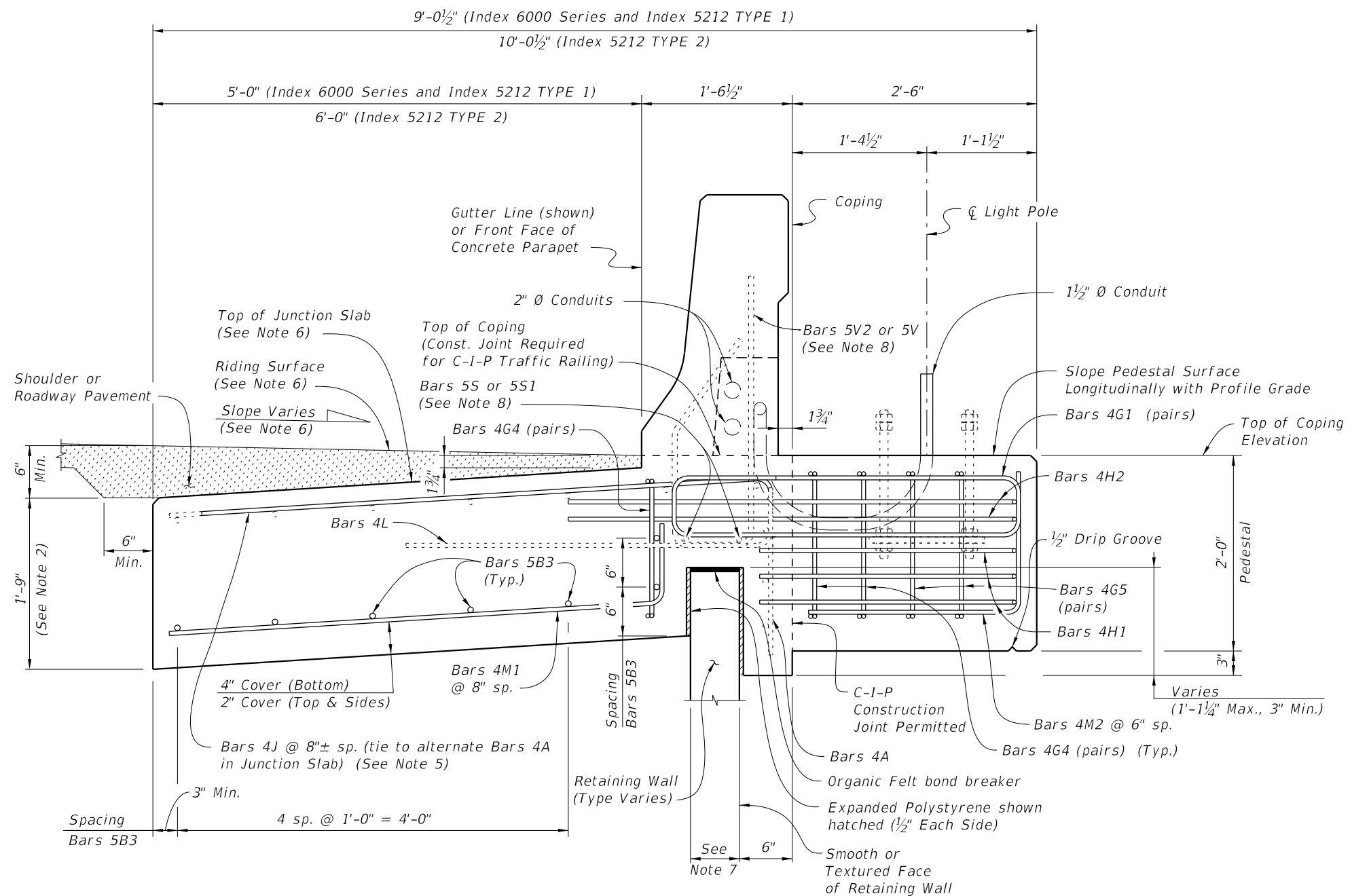
(*) - Axis refers to Bridge Axis.
- See Index No. 21200 for anchor bolt design and notes.
- The Contractor is responsible for ensuring the anchor bolt design is compatible with the light pole base plate. Modifications to the anchor bolt design shown must be signed and sealed by the Contractor's Specialty Engineer and submitted to the Engineer for approval prior to construction.
- Install Anchor Bolts plumb.
- For conduit, EJB and expansion/deflection fitting details, see Utility Conduit Detail Drawings.
- The cost of anchor bolts, nuts, washers and anchor plates will be included in the Bid Price for Light Poles. Include the cost of all labor, concrete and reinforcing steel required for construction of the pedestals, EJB and miscellaneous hardware required for the completion of the electrical system in the Bid Price for either the Traffic Railing or Concrete Parapet that the pedestal is behind.
- Field Cut Bars 4M2 as required to maintain clearance.
- Slip Forming Method of construction requires the Engineer's approval within the limits shown.
- Reinforcing shown for light pole pedestals is in addition to typical reinforcing for Junction Slabs and Raised Sidewalks.
- Work this Index with the following as appropriate:
 - Index No. 5212
 - Index No. 6110
 - Index No. 6120
 - Index No. 6130
- Pedestal may be precast in one section with Coping. Minimum Precast Coping section length is 10 ft. or 12 ft for combination Precast Traffic Railing and Coping section.
- For Estimated Quantities, see Sheet No. 6.
- Unless otherwise noted, Traffic Railing (32" F-Shape) is shown in all Views and Sections. The Pedestal details for other traffic railings or pedestrian/bicycle railings are similar.



PLAN VIEW
 (Junction Slab reinforcing not shown for clarity)
 (Junction Slab Shown, Raised Sidewalk or Sidewalk Similar)

10/26/2016 8:43:58 AM

LAST REVISION 07/01/14	REVISION	DESCRIPTION:	FY 2017-18 DESIGN STANDARDS	COPING MOUNTED LIGHT POLE PEDESTAL	INDEX NO. 6200	SHEET NO. 1 of 3
---------------------------	----------	--------------	--	---	--------------------------	----------------------------



TYPICAL SECTION AT LIGHT POLE PEDESTAL
 (Junction Slab Shown, Raised Sidewalk or Sidewalk Similar)

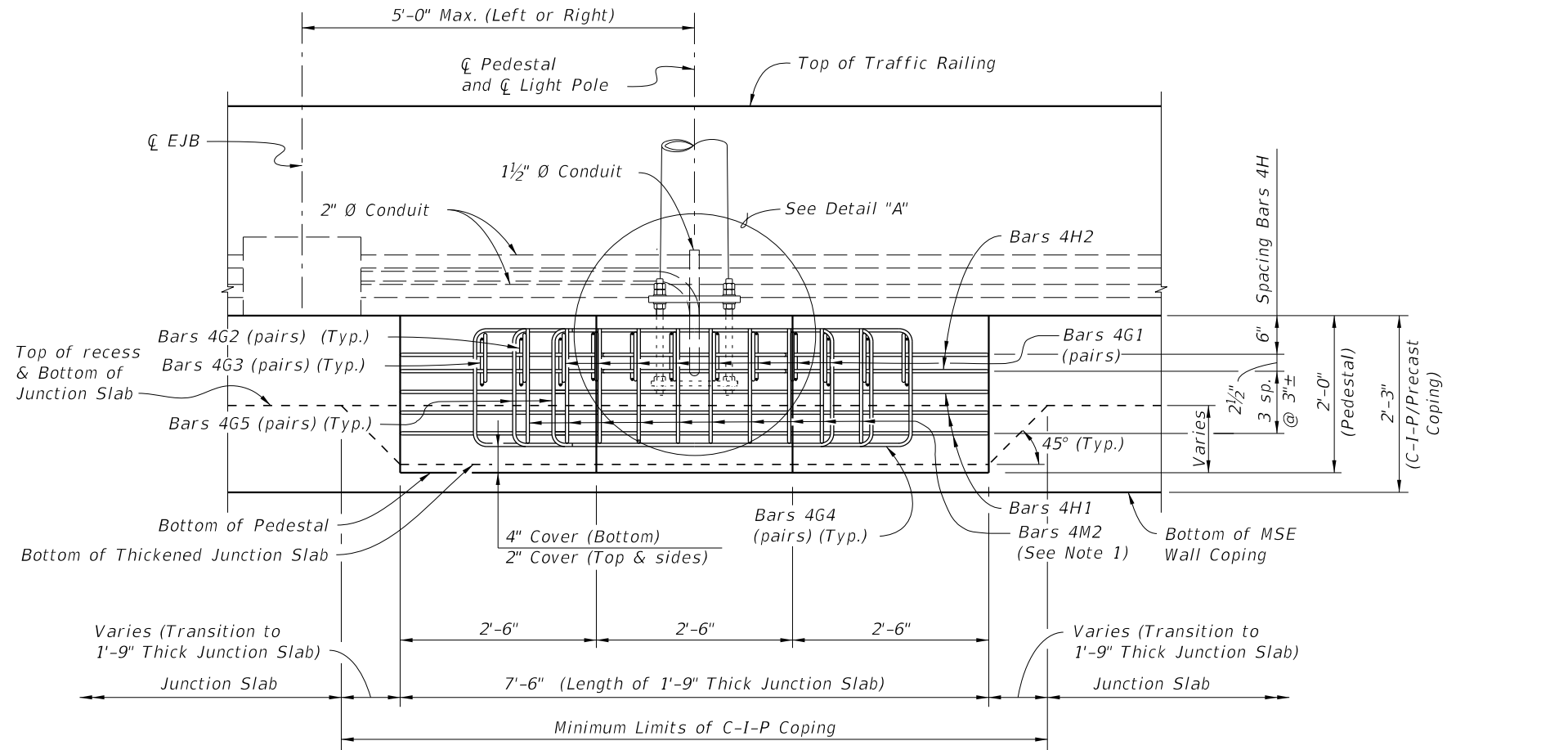
NOTES:

1. Provide Concrete Class to match adjacent coping.
2. For junction slabs, increase the 1'-0" depth dimension to 1'-9".
3. For sidewalks see Index No. 6130 for C-I-P Coping, but increase 6" depth dimension to 1'-6".
4. The minimum length of the Junction Slabs, raised sidewalks and sidewalks is 30'-0", measured along the Gutter Line.
5. Bars 4J are only required when pedestals are behind a Traffic Railing or Traffic Railing/ Noise Wall.
6. Top of junction slab may be thickened to match finished grade of concrete pavement or shoulder, or top of sidewalk or raised sidewalk (See Notes 3 & 4).
7. Actual width varies depending on type of retaining wall used.
8. See Index No. 6110 for Bars 5V2 and 5S, or Index 5212 for Bars 5V and 5S1.

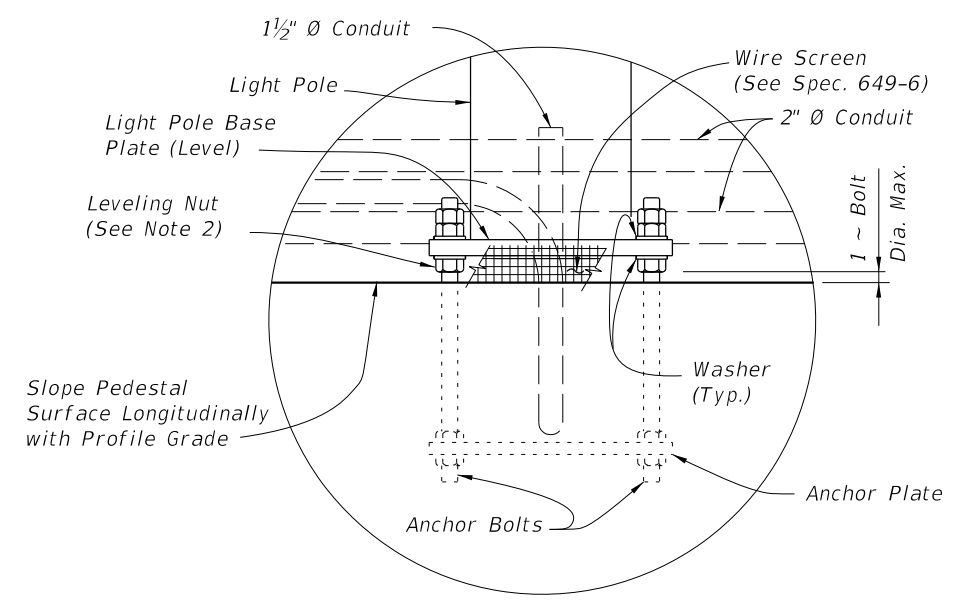
10/26/2016 8:44:01 AM

LAST REVISION 11/01/16	REVISION	DESCRIPTION:	FY 2017-18 DESIGN STANDARDS	COPING MOUNTED LIGHT POLE PEDESTAL	INDEX NO. 6200	SHEET NO. 2 of 3
---------------------------	----------	--------------	--	---	--------------------------	----------------------------

REINFORCING STEEL BENDING DIAGRAMS - LIGHT POLE PEDESTAL



ELEVATION VIEW
 (Junction Slab Reinforcing & Bars 4J not Shown for Clarity)
 (Junction Slab Shown, Raised Sidewalk or Sidewalk Similar)



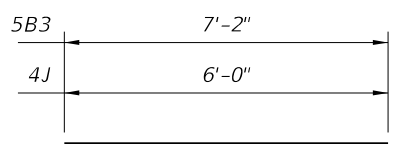
DETAIL "A"

- NOTES:**
1. Field Cut Bars 4M2 as required to maintain minimum cover.
 2. Maximum clearance between leveling nut and top of pedestal will not exceed anchor bolt diameter.

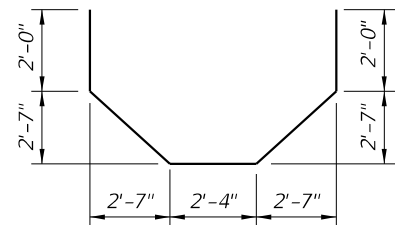
ESTIMATED QUANTITIES		
ITEM	UNIT	QUANTITY
Concrete (Pedestal)	CY	0.926
Concrete (Thickened Junction Slab)	CY	1.222
Reinforcing Steel	LB	349

(The quantities above are for one C-I-P Light Pole Pedestal. The concrete quantity for the thickened junction slab is based on a 5'-0" length, 9" increase in thickness and a 5" wide retaining wall panel. Adjust thickened concrete quantity as required.)

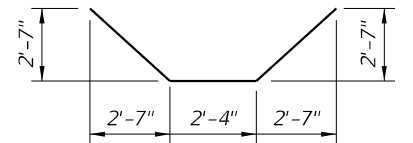
BILL OF REINFORCING STEEL			
MARK	SIZE	NO. REQD.	LENGTH
B3	5	7	7'-2"
G1	4	16	5'-8"
G2	4	4	4'-8"
G3	4	4	4'-2"
G4	4	6	8'-10"
G5	4	4	7'-4"
H1	4	3	9'-8"
H2	4	2	13'-8"
J	4	12	6'-0"
M1	4	12	5'-10"
M2	4	10	3'-8"



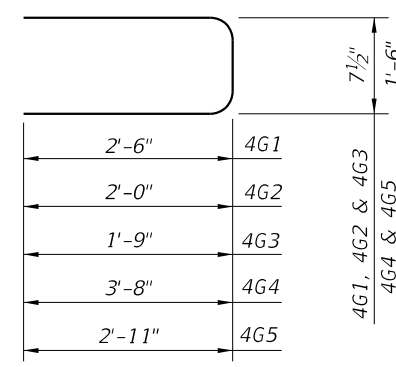
BARS 5B3 & 4J



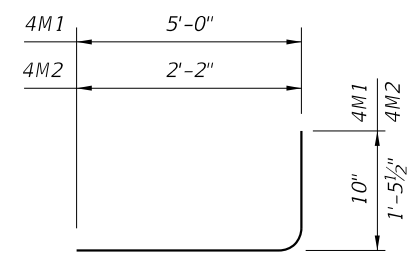
BAR 4H2



BAR 4H1



BARS 4G1, 4G2, 4G3, 4G4 & 4G5



BAR 4M1 & 4M2

REINFORCING STEEL NOTES:

1. All bar dimensions in the bending diagrams are out to out.
2. Lap splices for Bars 4G1, 4G2 & 4G3 will be a minimum of 1'-4". Lap splices for Bars 4G4 & 4G5 will be a minimum of 1'-8".
3. The Contractor may use Welded Wire Reinforcement (WWR) when approved by the Engineer. WWR must consist of deformed wire meeting the requirements of Specification Section 931.

10/26/2016 8:44:05 AM

LAST REVISION 07/01/14	DESCRIPTION:
---------------------------	--------------