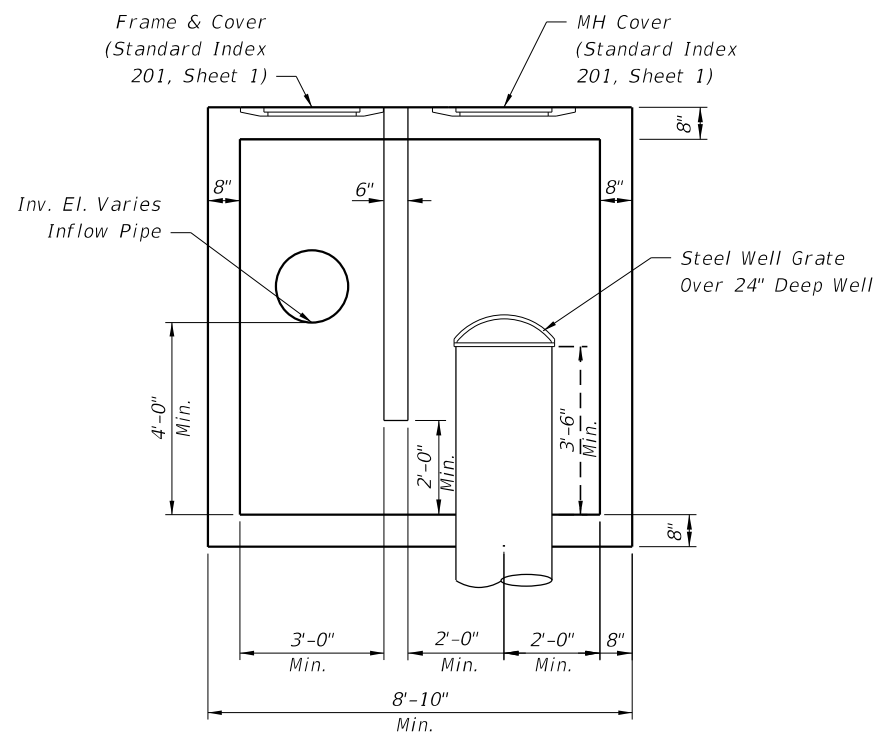
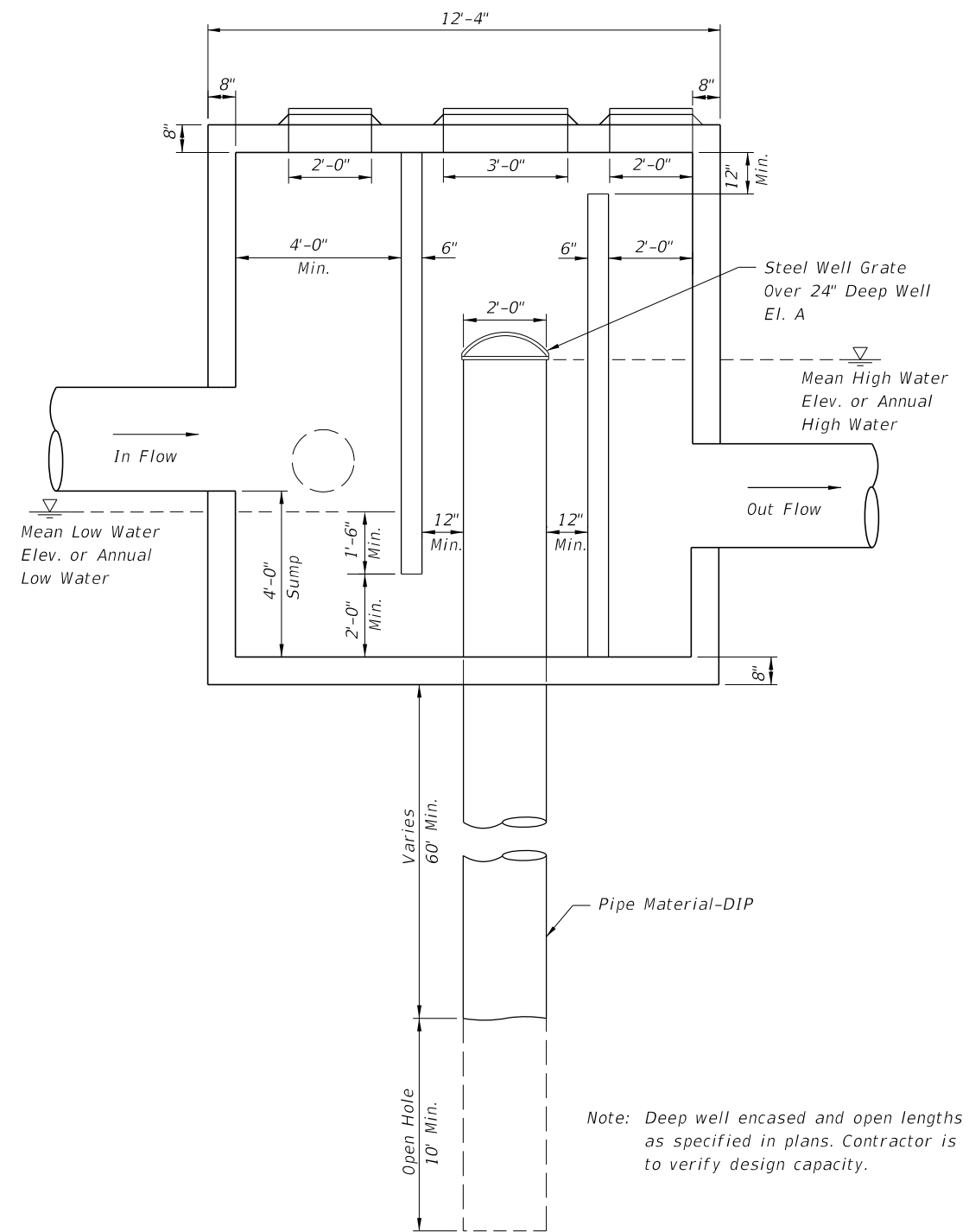


TOP SLAB PLAN



SECTION A-A

STRUCTURE WITH NO OUTFLOW



SPECIAL MANHOLE STRUCTURE
DETAIL WITH OUTFALL

Note: Deep well encased and open lengths as specified in plans. Contractor is to verify design capacity.

Design Notes

1. Depth of Casing Varies, 60' min.
2. Depth of Open Hole, 10'-20'.
3. Actual Size Of The Inflow And Outflow Chambers Will Be Determined By The Size Of The Pipes (Refer To Table 3 Of Index 200.) The Width Of The Box Shall Be Constant Based On The Largest Pipe. The Length Is To Be Adjusted Based On Size and Orientation Of The Pipes.

24" STEEL WELL GRATE

Heavy duty "bee hive" grate

Openings: 1-1/2" maximum


Total Opening: 1.7 sq ft minimum

For 24" well, outer diameter = 29"

Steel well grate to be installed over 24" deep well.

Steel grate to be hot dipped galvanized after fabrication, see Specification Section 962.

10/11/2016 10:45:33 AM

LAST REVISION 07/01/13	REVISION	DESCRIPTION:	 FY 2017-18 DESIGN STANDARDS	DEEP WELL INJECTION BOX	INDEX NO. 288	SHEET NO. 1 of 1
---------------------------	----------	--------------	--	--------------------------------	-------------------------	----------------------------