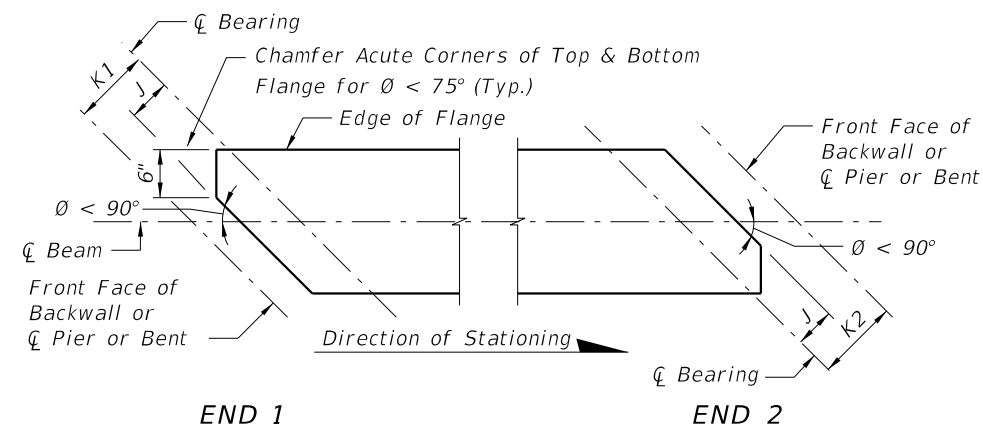
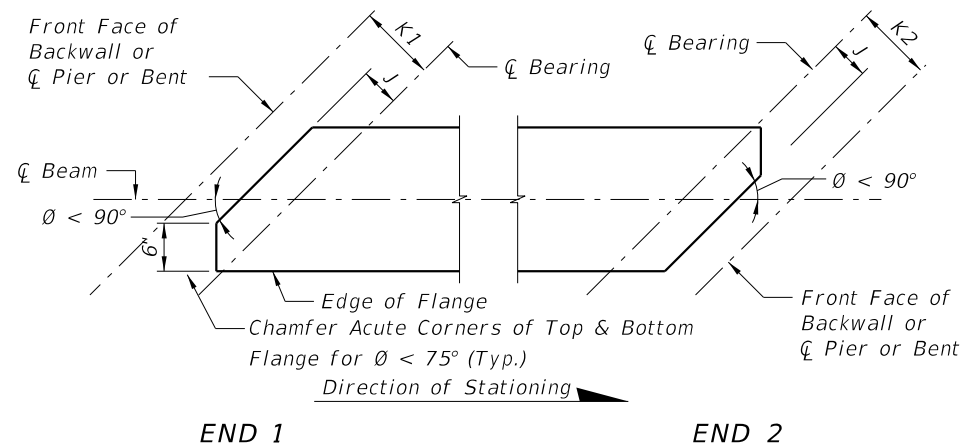


CASE 1
(Standard Orientation for New Construction)

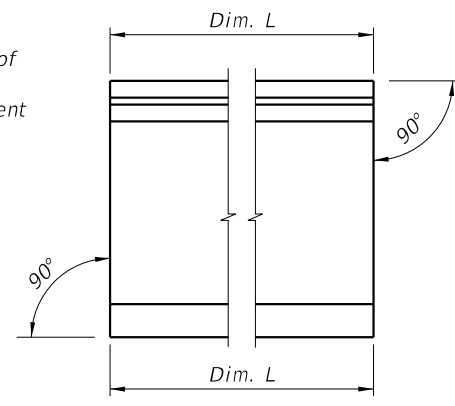


CASE 2
(Special Orientation for Widenings)

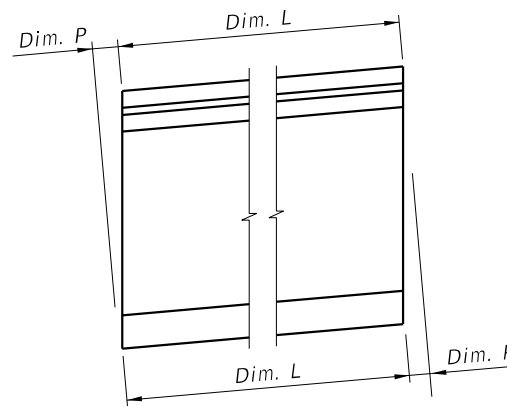


CASE 3
(Special Orientation for Widenings)

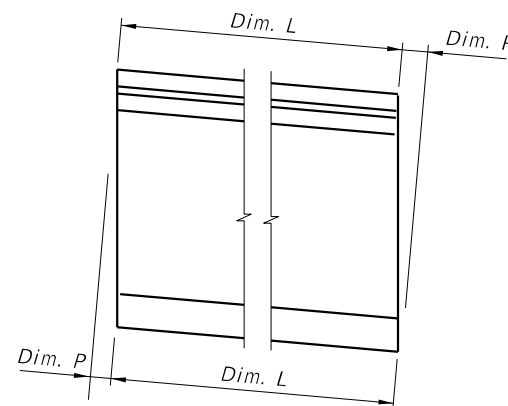
SCHEMATIC PLAN VIEWS AT BEAM ENDS



CONDITION 1
(Dim P = 0.0)



CONDITION 2




CONDITION 3

SCHEMATIC END ELEVATIONS OF BEAMS
(Showing Vertical Bevel of Beam End)

BEAM NOTES

- All bar dimensions are out-to-out.
- Place one (1) Bar 5K or 5Z at each location as detailed alternating the direction of the ends for each bar (see "ELEVATION AT END OF BEAM", Index Nos. 20036, 20045, 20054, 20063, 20072, 20078, 20084 and 20096).
- Strands N shall be ASTM A416, Grade 270, seven-wire strands $\frac{3}{8}$ " ϕ or larger, stressed to 10,000 lbs. each.
- For beams with ends not to be encased in permanent concrete diaphragms, after detensioning cut wedge to recess Prestressing Strands at the end of the beam without damaging the surrounding concrete. See STRAND CUTTING AND PROTECTING DETAIL on Sheet 2.
- For beams with ends not to be encased in permanent concrete diaphragms, protect end of recessed strands in accordance with Specification Section 450.
- Unless otherwise noted, the minimum concrete cover for reinforcing steel shall be 2".
- At the Contractor's option, welded deformed wire reinforcement may be used in lieu of Bars 3D, 5K, 4M, and 5Z as shown on the Standard Details for each beam size. Welded deformed wire reinforcement shall meet requirements of Specification Section 931.
- Safety Line Anchorage Devices or sleeves are required and permitted in the top flange only to accommodate fall protection systems used during construction. See shop drawings for details and spacing of any required embedments.
- For beams with skewed end conditions, the end reinforcement, defined as Bars 3C1, 3C2, 3D1, 3D2, 5K, 4M1, 4M2, 5Y and 5Z placed within the limits of the spacing for Bars 3C in "ELEVATION AT END OF BEAM", shall be placed parallel to the skewed end of the beam. Bars 3D3, 5K and 4M3 located beyond the limits of Bars 3C shall be placed perpendicular to the longitudinal axis of the beam. Fan Bars as needed to avoid overlapping bars at the transition to Bars 3D3 and 4M3, and field cut to maintain minimum cover. Provide additional Bars 4M1, 4M2, 3D1 and 3D2 as required; additional bars are not included in the Number Required on the "BILL OF REINFORCING STEEL". For placement locations, see "SKEWED BEAM END DETAILS". Adjust the dimensions of Bars 3C1, 3C2, 3D1, 3D2, 4M1 and 4M2 as shown on the "BENDING DIAGRAM" for skewed end conditions.
- Placement of Bars 3C1, 3D1 and 4M1 correspond to END 1, and Bars 3C2, 3D2 and 4M2 correspond to END 2. END 1 and END 2 are shown on the beam "ELEVATION".
- For Beams with vertically beveled end conditions, place first row of Bars 3C1, 3C2, 3D1, 3D2, 5K, 5Y and 5Z parallel to the end of the beam. Progressively rotate remaining bars within the limits of Bars 5Z until vertical by adjusting the spacing at the top of beam up to a maximum of 1". For welded deformed wire reinforcement, cut top cross wire and rotate bars as required or reduce end cover at top of the beam to minimum 1".
- For beams with skewed end conditions, welded deformed wire reinforcement shall not be used for end reinforcement (Bars 3D1, 3D2, 4M1 and 4M2).
- Bars 5K and 5Z shall be placed and tied to the fully bonded strands in the bottom or center row (see "STRAND PATTERN" on the Table of Beam Variables in Structures Plans). At the Contractor's option the length of the bottom legs of Bars 5K and 5Z may be extended to facilitate tying to the exterior strands. For welded deformed wire reinforcement, supplemental transverse #4 bars are permitted to support Pieces K & S under the cross wires on the bottom row of strands.
- At the Contractor's option, Bars 3D1, 3D2 and 3D3 may be fabricated as a single bar with a 1'-0" minimum lap splice of the top legs, or the length of the bottom legs may be extended to facilitate tying to the exterior strands.
- For referenced Dimensions, Angles and Case Numbers, see the Table of Beam Variables in Structures Plans.

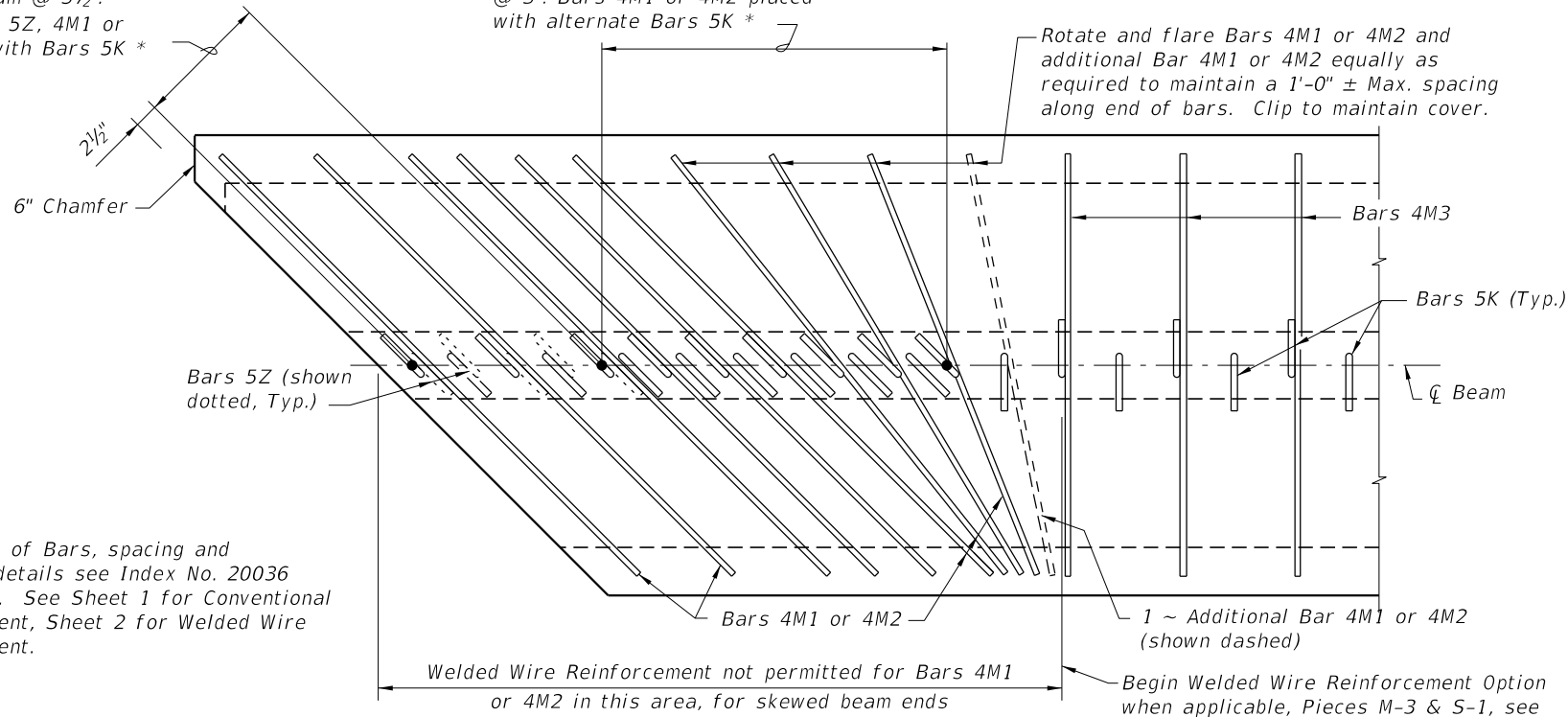
12/17/2015 1:17:08 PM

| | | | | | | |
|---------------------------|----------|--------------|---|---|--------------------|---------------------|
| LAST REVISION 07/01/14 | REVISION | DESCRIPTION: |  FY 2016-17 DESIGN STANDARDS | TYPICAL FLORIDA-I BEAM DETAILS AND NOTES | INDEX NO. 20010 | SHEET NO. 1 of 2 |
|---------------------------|----------|--------------|---|---|--------------------|---------------------|

Bars 5K spaced perpendicular to end of beam @ 3 1/2". Skewed Bars 5Z, 4M1 or 4M2 placed with Bars 5K *

Bars 5K spaced along ϕ Beam @ 3". Bars 4M1 or 4M2 placed with alternate Bars 5K *

Rotate and flare Bars 4M1 or 4M2 and additional Bar 4M1 or 4M2 equally as required to maintain a 1'-0" \pm Max. spacing along end of bars. Clip to maintain cover.

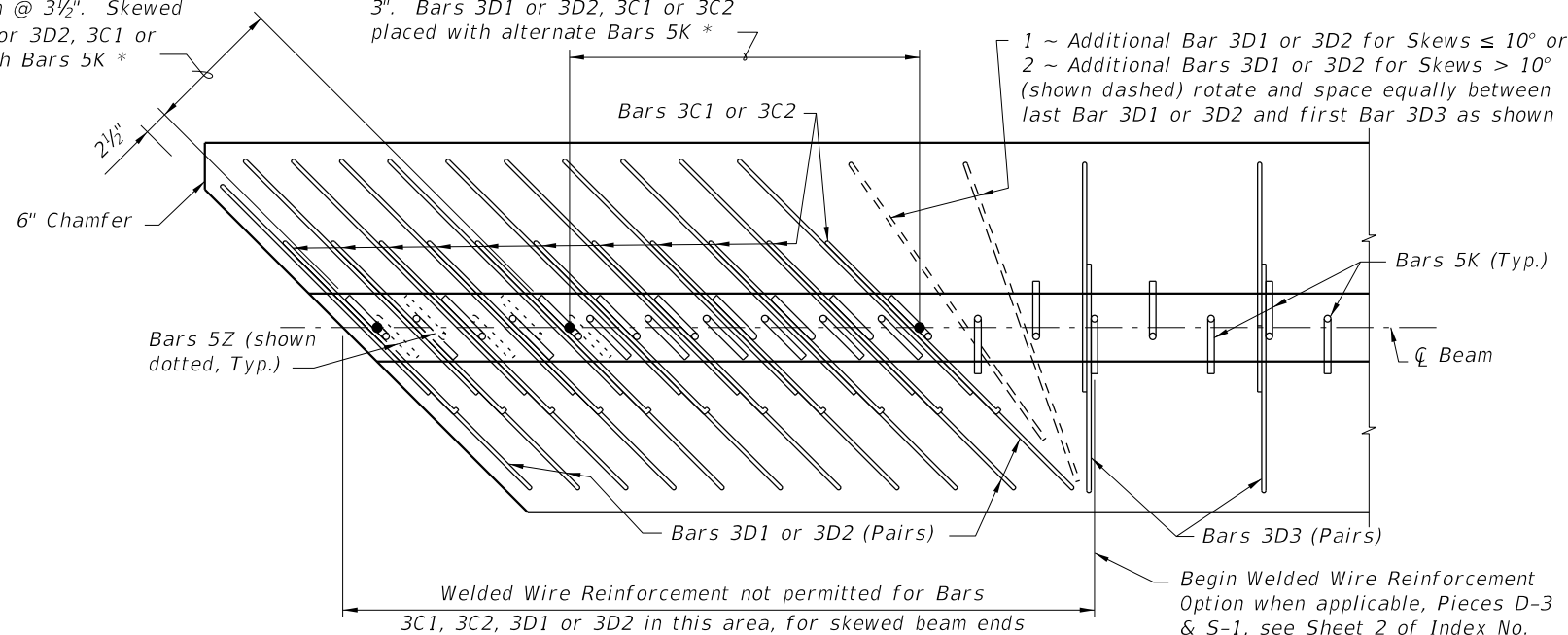


PARTIAL PLAN VIEW (SHOWING TOP FLANGE)
(End 1 Shown, End 2 Similar)
(Bars 5A, 5Y & Strands N not shown for clarity)

Bars 5K spaced perpendicular to end of beam @ 3 1/2". Skewed Bars 5Z, 3D1 or 3D2, 3C1 or 3C2 placed with Bars 5K *

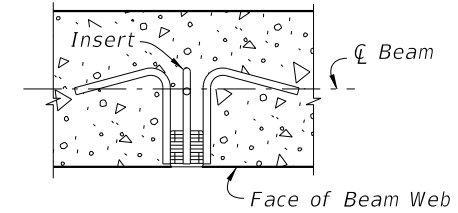
Bars 5K spaced along ϕ Beam @ 3". Bars 3D1 or 3D2, 3C1 or 3C2 placed with alternate Bars 5K *

1 ~ Additional Bar 3D1 or 3D2 for Skews $\leq 10^\circ$ or 2 ~ Additional Bars 3D1 or 3D2 for Skews $> 10^\circ$ (shown dashed) rotate and space equally between last Bar 3D1 or 3D2 and first Bar 3D3 as shown



PARTIAL SECTION THRU WEB (SHOWING BOTTOM FLANGE)
(End 1 Shown, End 2 Similar)
(Bars 5Y, Strands, and Embedded Bearing Plate "A" not shown for clarity)

SKEWED BEAM END DETAILS FOR WIDENING EXISTING BRIDGES
(Florida-I 36 Beam shown, others similar)

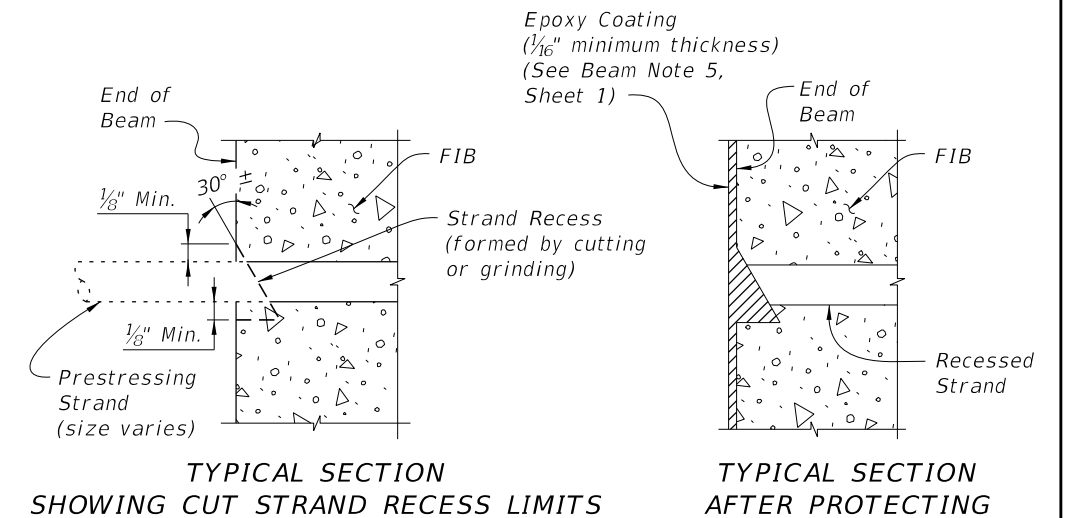


PLAN SECTION THRU BEAM WEB AT INSERT FOR DIAPHRAGM REINFORCING
(When Intermediate Diaphragms are Required by Design)

INSERT NOTES

1. Provide 1" ϕ , zinc-electroplated, ferrule wing nut or coil inserts, UNC threads, 1/0 minimum gage wire, not more than 4" in depth with a minimum ultimate tensile strength of 11,400 lbs. in 4,000 psi concrete.
2. If inserts are needed on both sides (faces) of beam webs, an assembly as long as the thickness of the beam web, consisting of two (2) ferrule or coil inserts attached by two (2) or more struts may be utilized. The connecting struts shall have a minimum ultimate tensile strength of 11,400 lbs.
3. Inserts for diaphragm reinforcing are required at each end of each intermediate diaphragm shown on the Beam Framing Plan and may be required at the end of the beams when end diaphragms are shown. See Superstructure and Beam Framing Plans for longitudinal location of inserts for each face of beam.

INSERT DETAIL



TYPICAL SECTION SHOWING CUT STRAND RECESS LIMITS

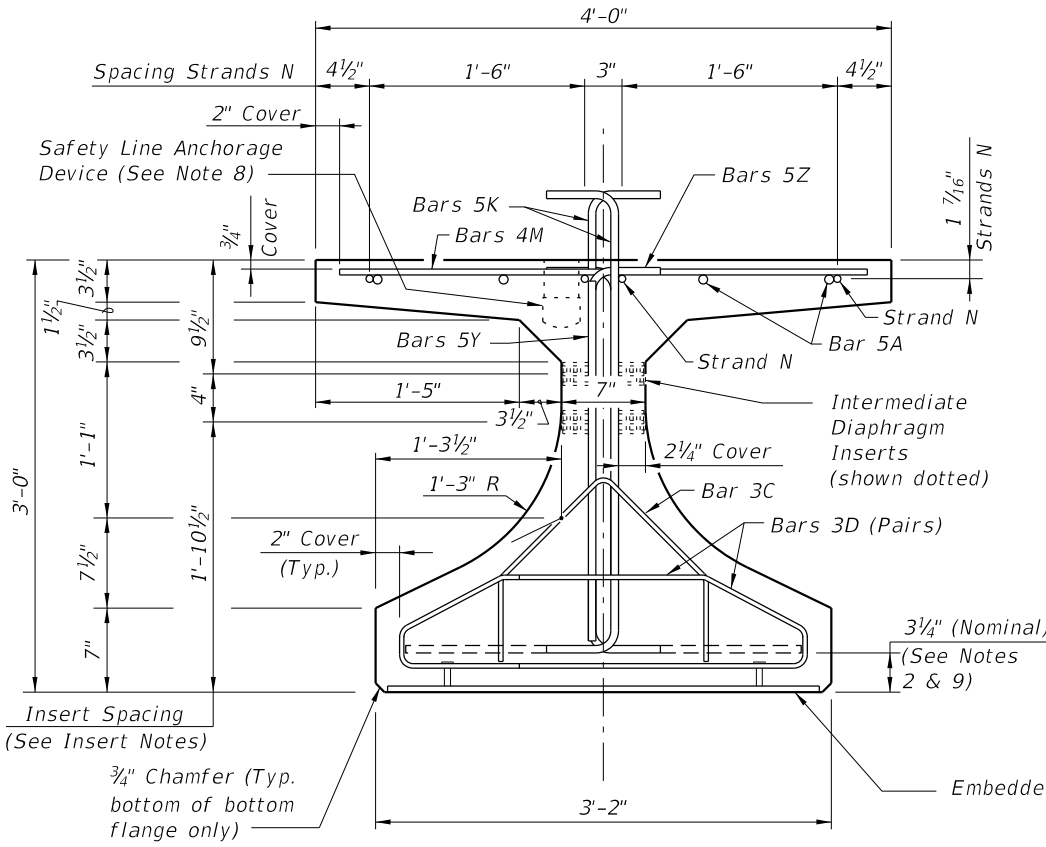
TYPICAL SECTION AFTER PROTECTING

STRAND CUTTING AND PROTECTING DETAIL

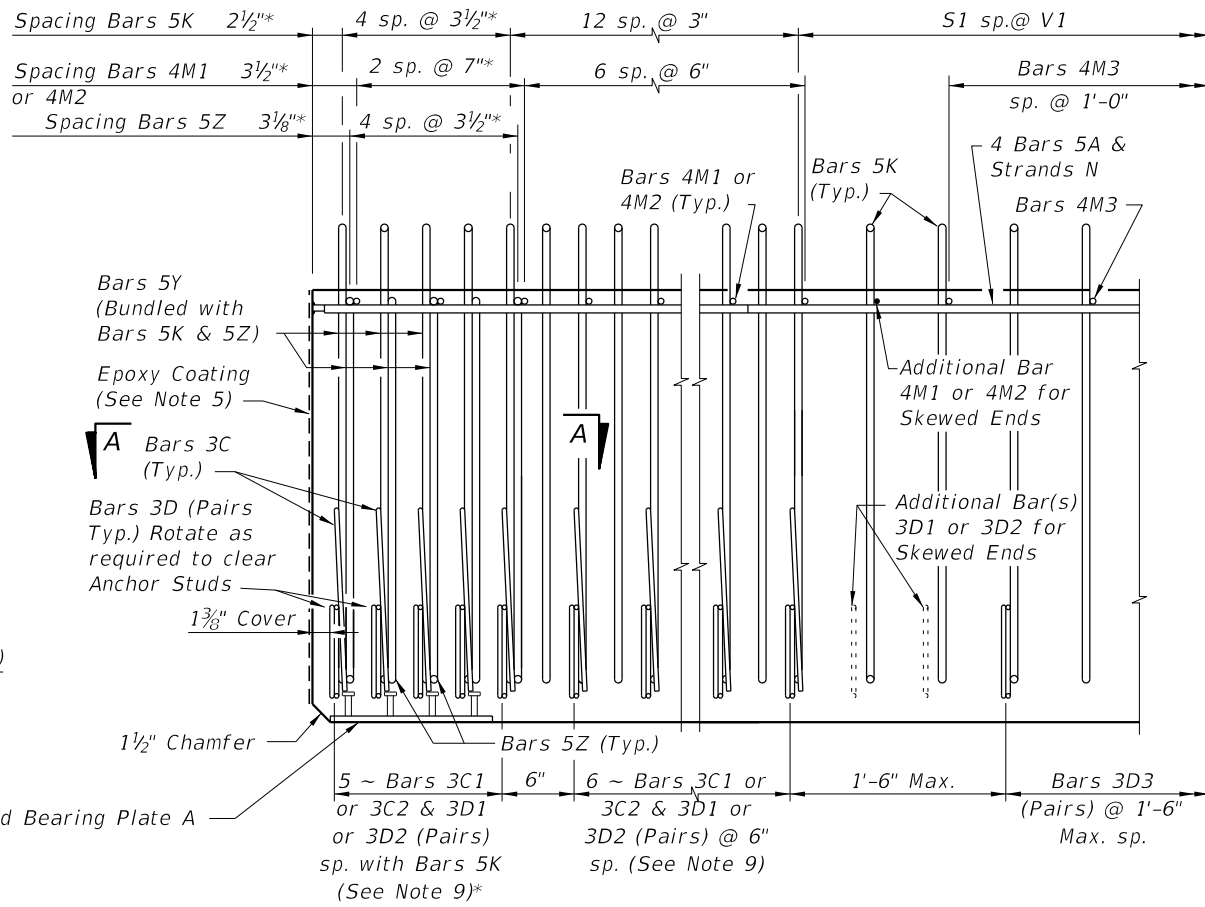
12/17/2015 1:17:09 PM

| | | |
|---------------------------|----------|--------------|
| LAST REVISION 07/01/14 | REVISION | DESCRIPTION: |
|---------------------------|----------|--------------|

* These dimensions are measured perpendicular to the end of beam



END VIEW

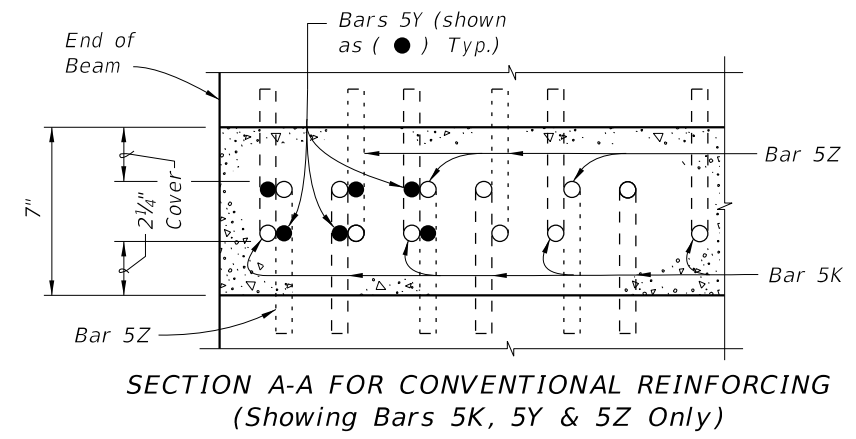
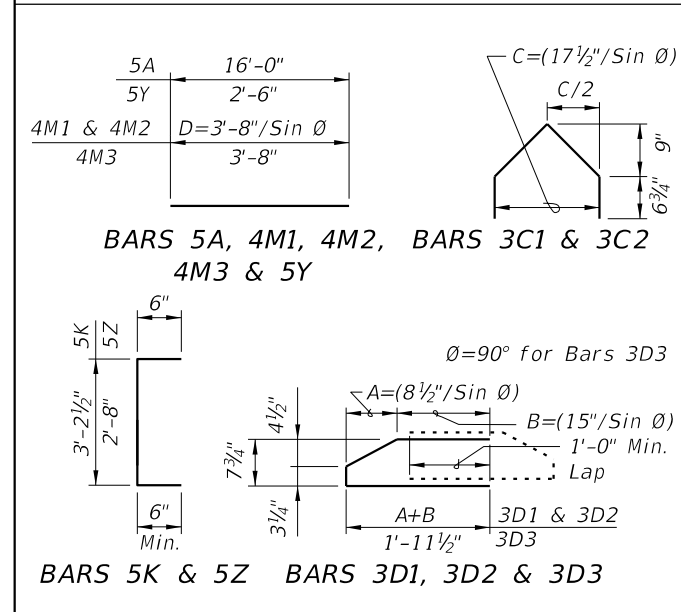


ELEVATION AT END OF BEAM
(Flanges Not Shown For Clarity)
(End 1 Shown, End 2 Similar)

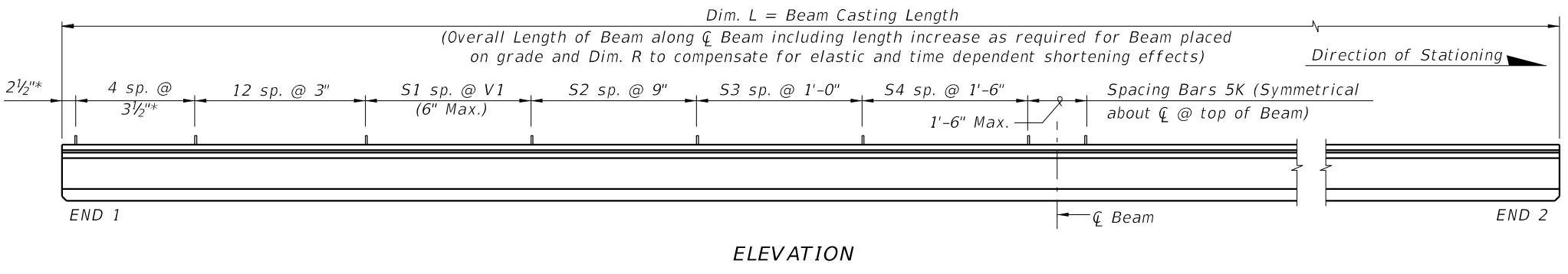
CONVENTIONAL REINFORCING
BAR BENDING DETAILS

| BILL OF REINFORCING STEEL | | | | |
|---------------------------|----------------|---------------|-----------------|-----------------|
| MARK | NOTE NUMBERS | SIZE | NUMBER REQUIRED | LENGTH (NOTE 1) |
| A | — | 5 | 8 | 16'-0" |
| C1 | 9, 10 & 11 | 3 | 11 (End 1) | Varies |
| C2 | 9, 10 & 11 | 3 | 11 (End 2) | Varies |
| D1 | 9, 10, 11 & 14 | 3 | 22 (End 1) | Varies |
| D2 | 9, 10, 11 & 14 | 3 | 22 (End 2) | Varies |
| D3 | 9 & 14 | 3 | See Table | 4'-3" |
| K | 2, 9, 11 & 13 | 5 | See Table | 4'-2" |
| M1 | 9 & 10 | 4 | 9 (End 1) | Varies |
| M2 | 9 & 10 | 4 | 9 (End 2) | Varies |
| M3 | 9 | 4 | See Table | 3'-8" |
| N | 3 & 4 | 3/8" Ø Strand | 4 | Dim. L |
| Y | 9 & 11 | 5 | 12 | 2'-6" |
| Z | 2, 9, 11 & 13 | 5 | 10 | 3'-8" |

BENDING DIAGRAMS (See Note 1)



SECTION A-A FOR CONVENTIONAL REINFORCING
(Showing Bars 5K, 5Y & 5Z Only)

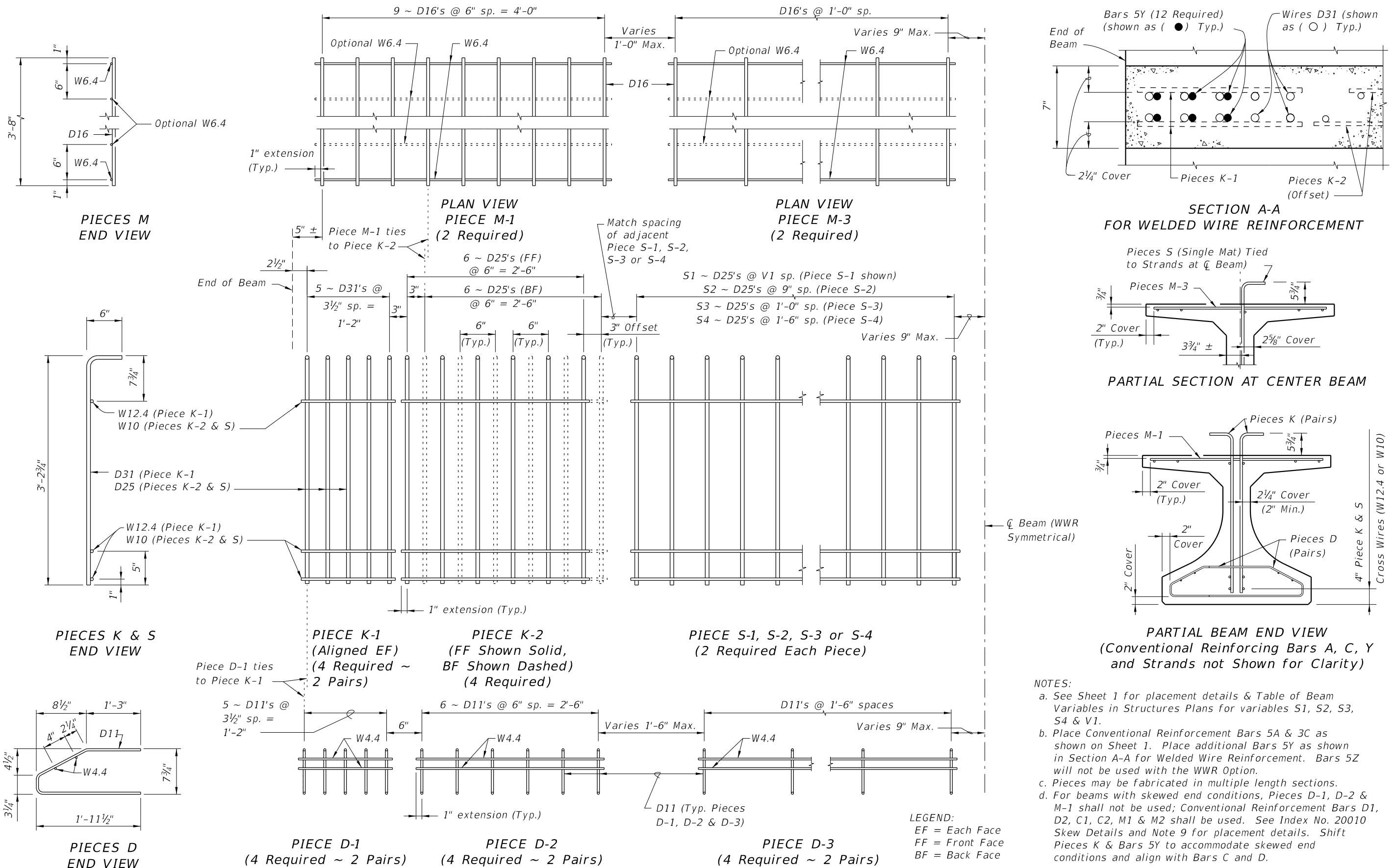


ELEVATION

- NOTES:
- A. Work this Index with Index No. 20010 - Typical Florida-I Beam Details and Notes and the Florida-I Beam - Table of Beam Variables in Structures Plans.
 - B. For referenced notes, see Index No. 20010.
 - C. For Dimensions A, B, C, D, L, R & V1 and number of spaces S1 thru S4, see Florida-I Beam - Table of Beam Variables in Structures Plans.

12/17/2015 1:19:10 PM

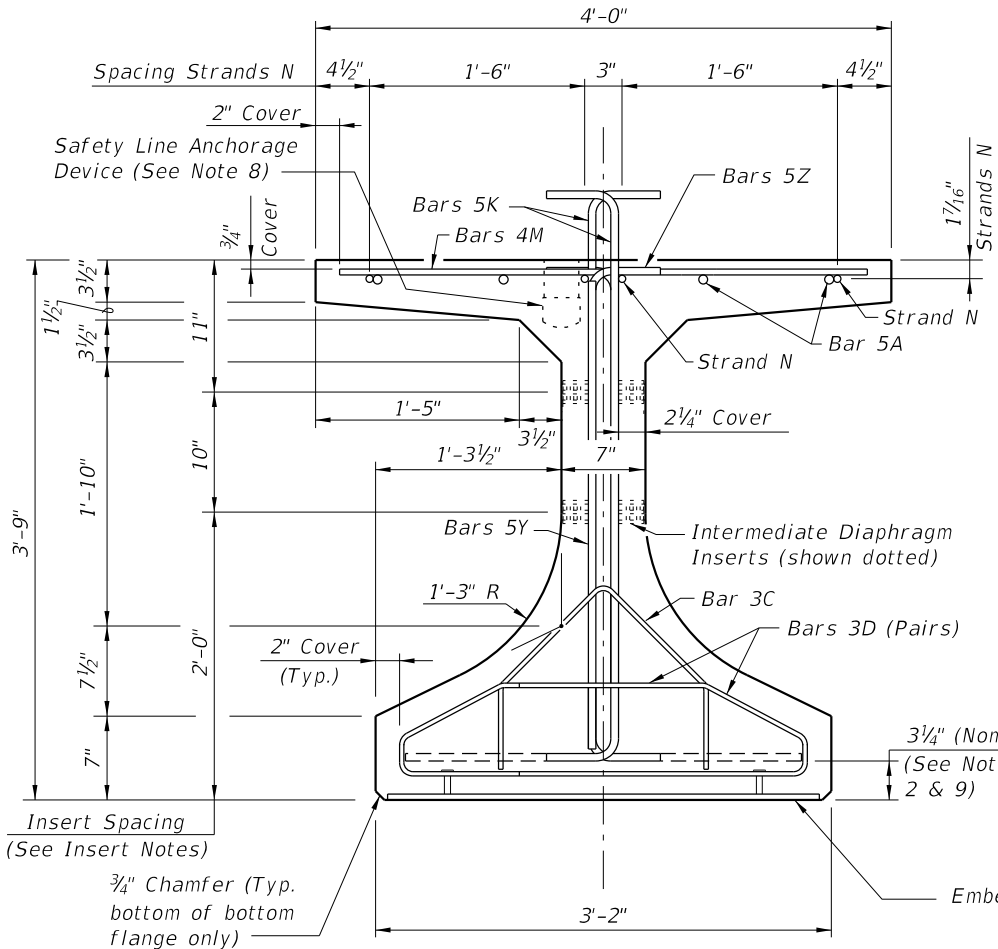
ALTERNATE REINFORCING STEEL (WELDED WIRE REINFORCEMENT) DETAILS



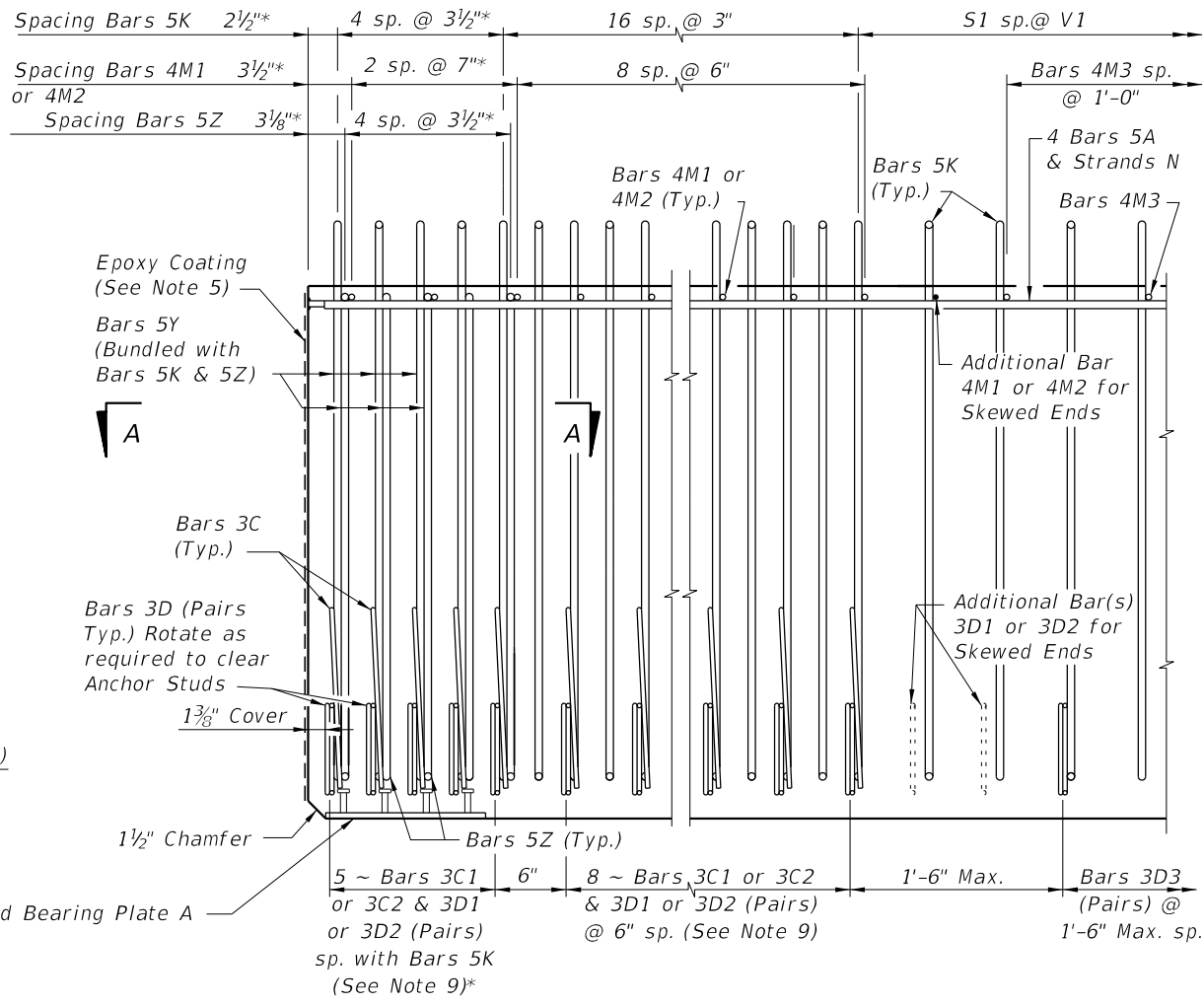
12/17/2015 1:19:11 PM

| LAST REVISION | DESCRIPTION: |
|---------------|--------------|
| 07/01/10 | |

* These dimensions are measured perpendicular to the end of beam



END VIEW

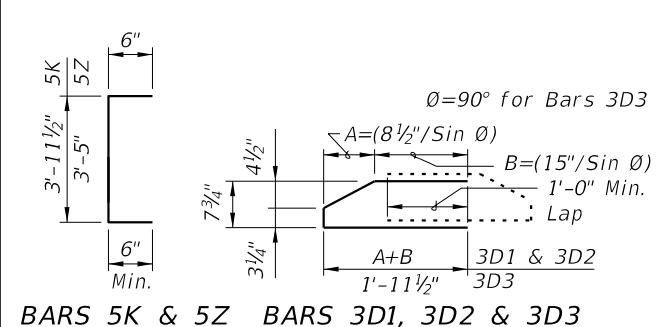
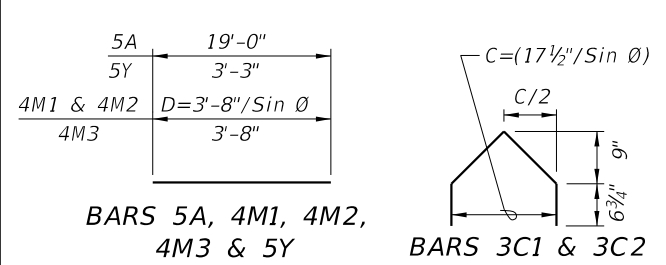


ELEVATION AT END OF BEAM
(Flanges Not Shown For Clarity)
(End 1 Shown, End 2 Similar)

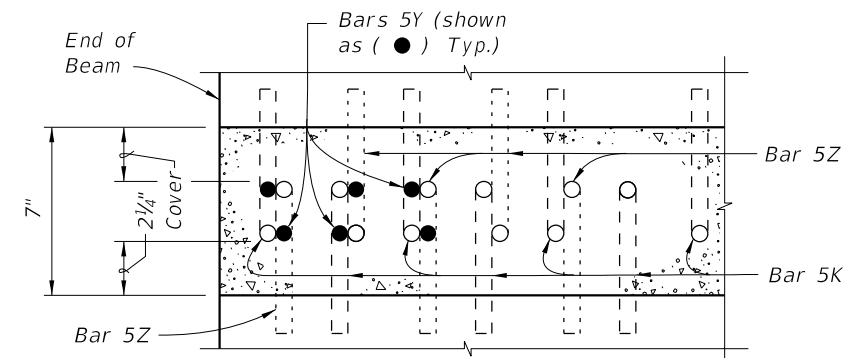
CONVENTIONAL REINFORCING
BAR BENDING DETAILS

| BILL OF REINFORCING STEEL | | | | |
|---------------------------|----------------|---------------|-----------------|-----------------|
| MARK | NOTE NUMBERS | SIZE | NUMBER REQUIRED | LENGTH (NOTE 1) |
| A | — | 5 | 8 | 19'-0" |
| C1 | 9, 10 & 11 | 3 | 13 (End 1) | Varies |
| C2 | 9, 10 & 11 | 3 | 13 (End 2) | Varies |
| D1 | 9, 10, 11 & 14 | 3 | 26 (End 1) | Varies |
| D2 | 9, 10, 11 & 14 | 3 | 26 (End 2) | Varies |
| D3 | 9 & 14 | 3 | See Table | 4'-3" |
| K | 2, 9, 11 & 13 | 5 | See Table | 4'-11" |
| M1 | 9 & 10 | 4 | 11 (End 1) | Varies |
| M2 | 9 & 10 | 4 | 11 (End 2) | Varies |
| M3 | 9 | 4 | See Table | 3'-8" |
| N | 3 & 4 | 3/8" Ø Strand | 4 | Dim. L |
| Y | 9 & 11 | 5 | 12 | 3'-3" |
| Z | 2, 9, 11 & 13 | 5 | 10 | 4'-5" |

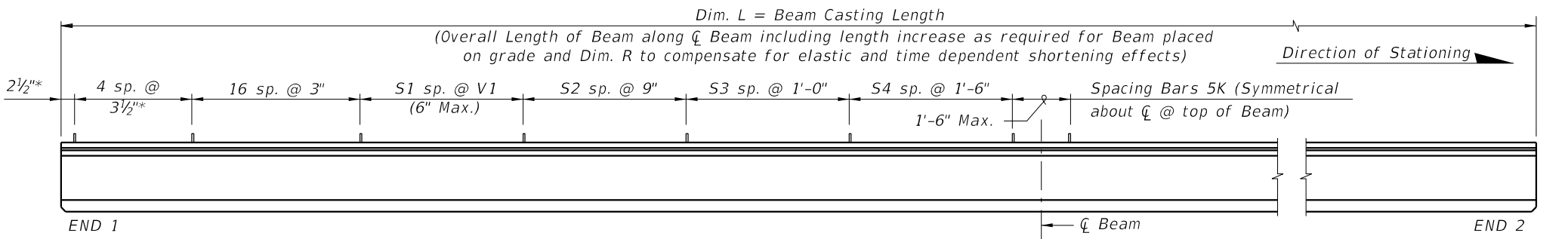
BENDING DIAGRAMS (See Note 1)



- NOTES:
- A. Work this Index with Index No. 20010 - Typical Florida-I Beam Details and Notes and the Florida-I Beam - Table of Beam Variables in Structures Plans.
 - B. For referenced notes, see Index No. 20010.
 - C. For Dimensions A, B, C, D, L, R & V1 and number of spaces S1 thru S4, see Florida-I Beam - Table of Beam Variables in Structures Plans.



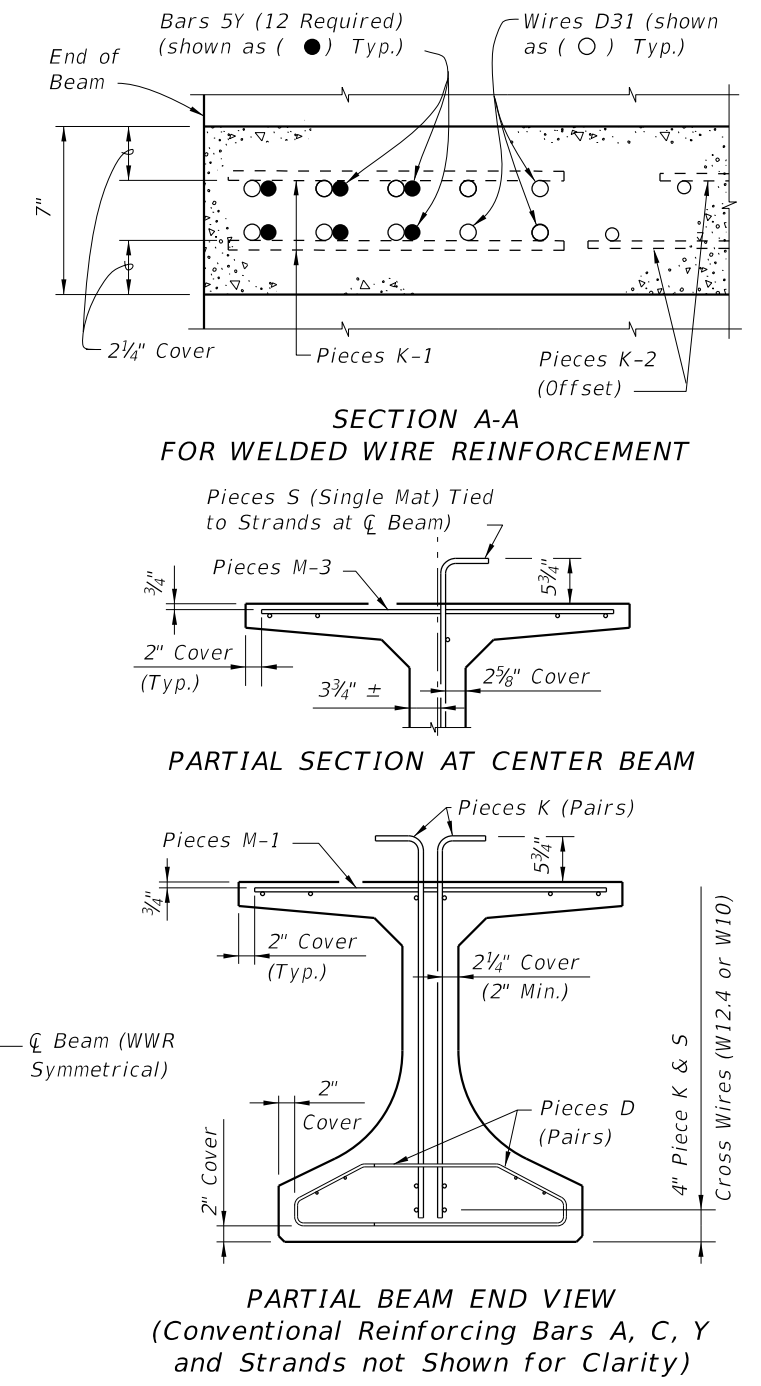
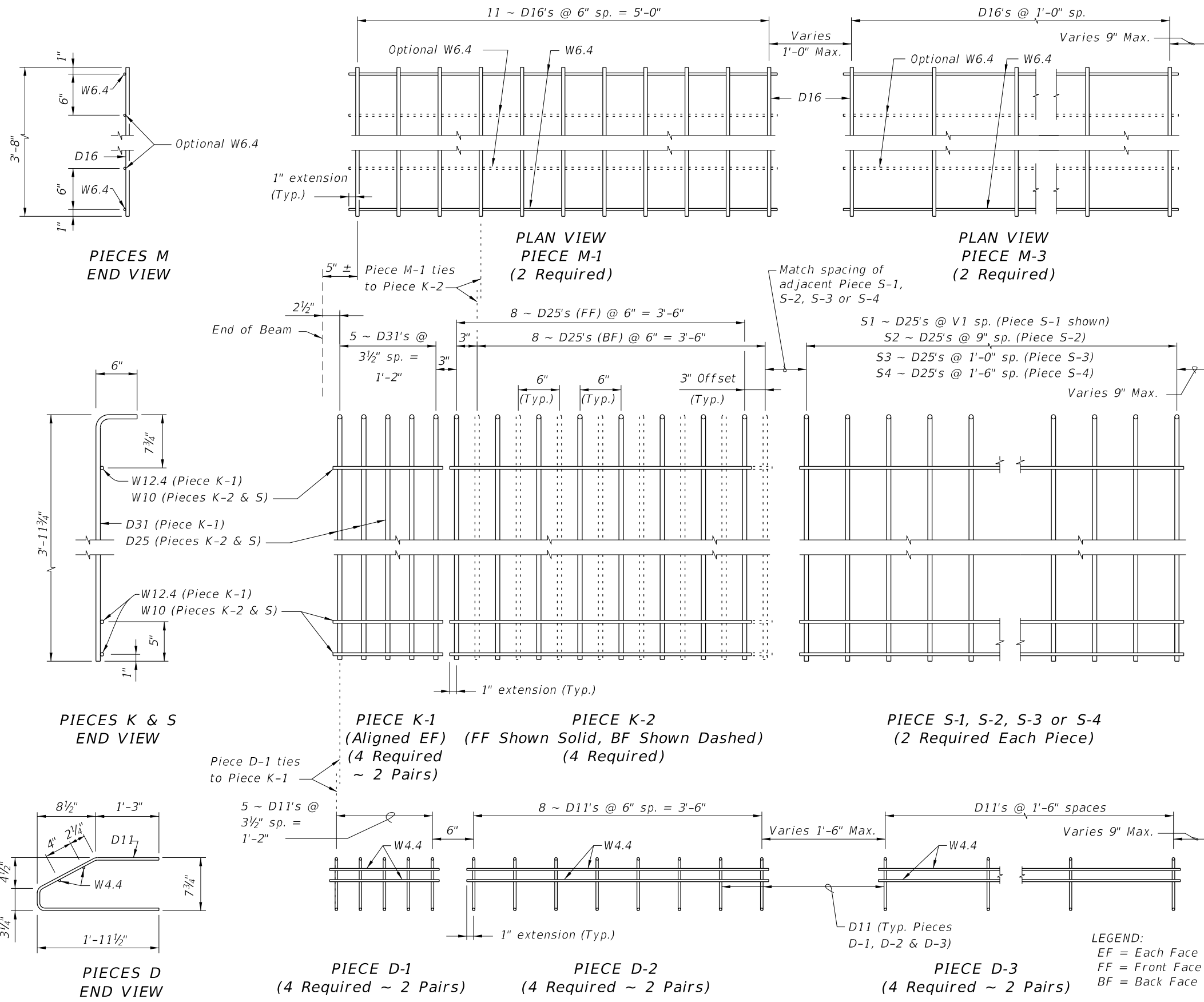
SECTION A-A FOR CONVENTIONAL REINFORCING
(Showing Bars 5K, 5Y & 5Z Only)



ELEVATION

12/17/2015 1:19:31 PM

ALTERNATE REINFORCING STEEL (WELDED WIRE REINFORCEMENT) DETAILS



NOTES:

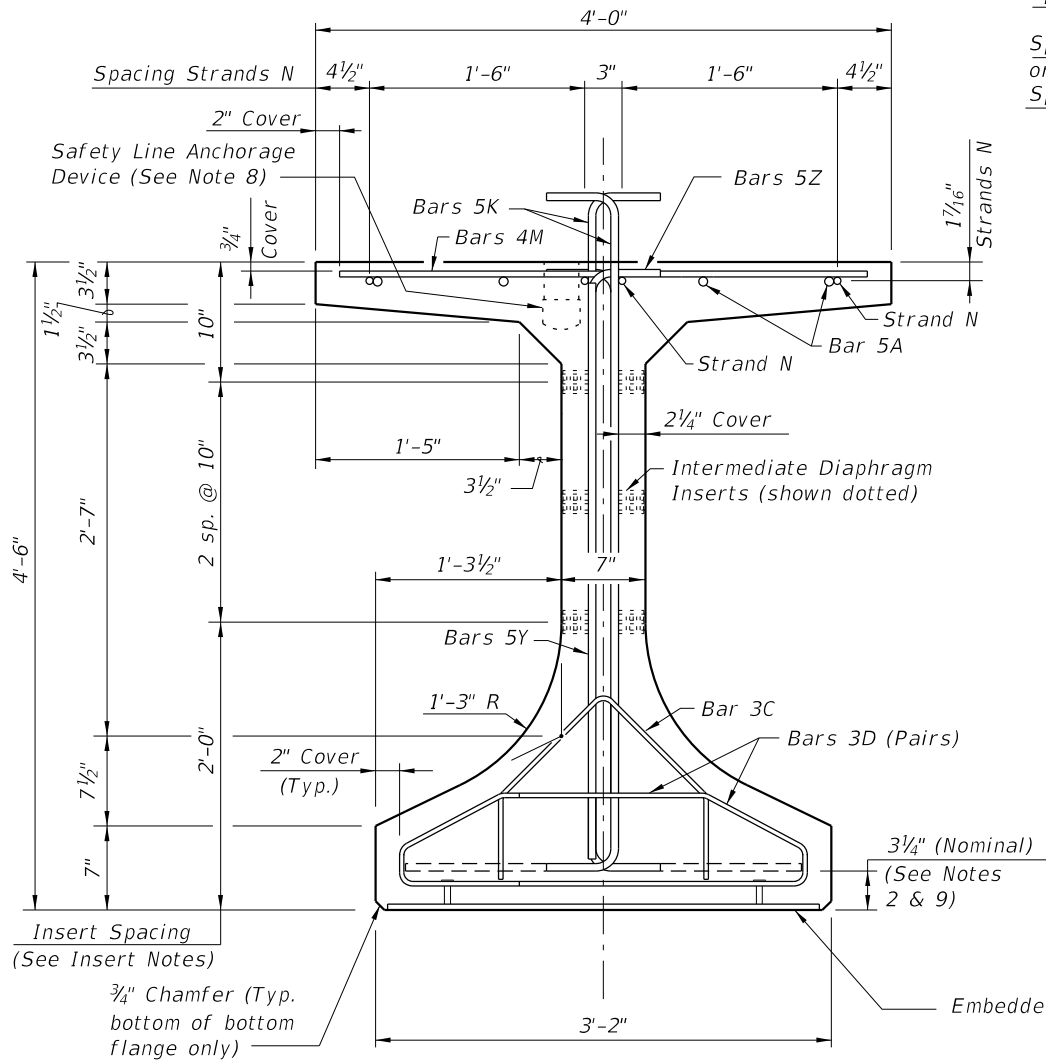
- See Sheet 1 for placement details & Table of Beam Variables in Structures Plans for variables S1, S2, S3, S4 & V1.
- Place Conventional Reinforcement Bars 5A & 3C as shown on Sheet 1. Place additional Bars 5Y as shown in Section A-A for Welded Wire Reinforcement. Bars 5Z will not be used with the WWR Option.
- Pieces may be fabricated in multiple length sections.
- For beams with skewed end conditions, Pieces D-1, D-2 & M-1 shall not be used; Conventional Reinforcement Bars D1, D2, C1, C2, M1 & M2 shall be used. See Index No. 20010 Skew Details and Note 9 for placement details. Shift Pieces K & Bars 5Y to accommodate skewed end conditions and align with Bars C and D.

LEGEND:
 EF = Each Face
 FF = Front Face
 BF = Back Face

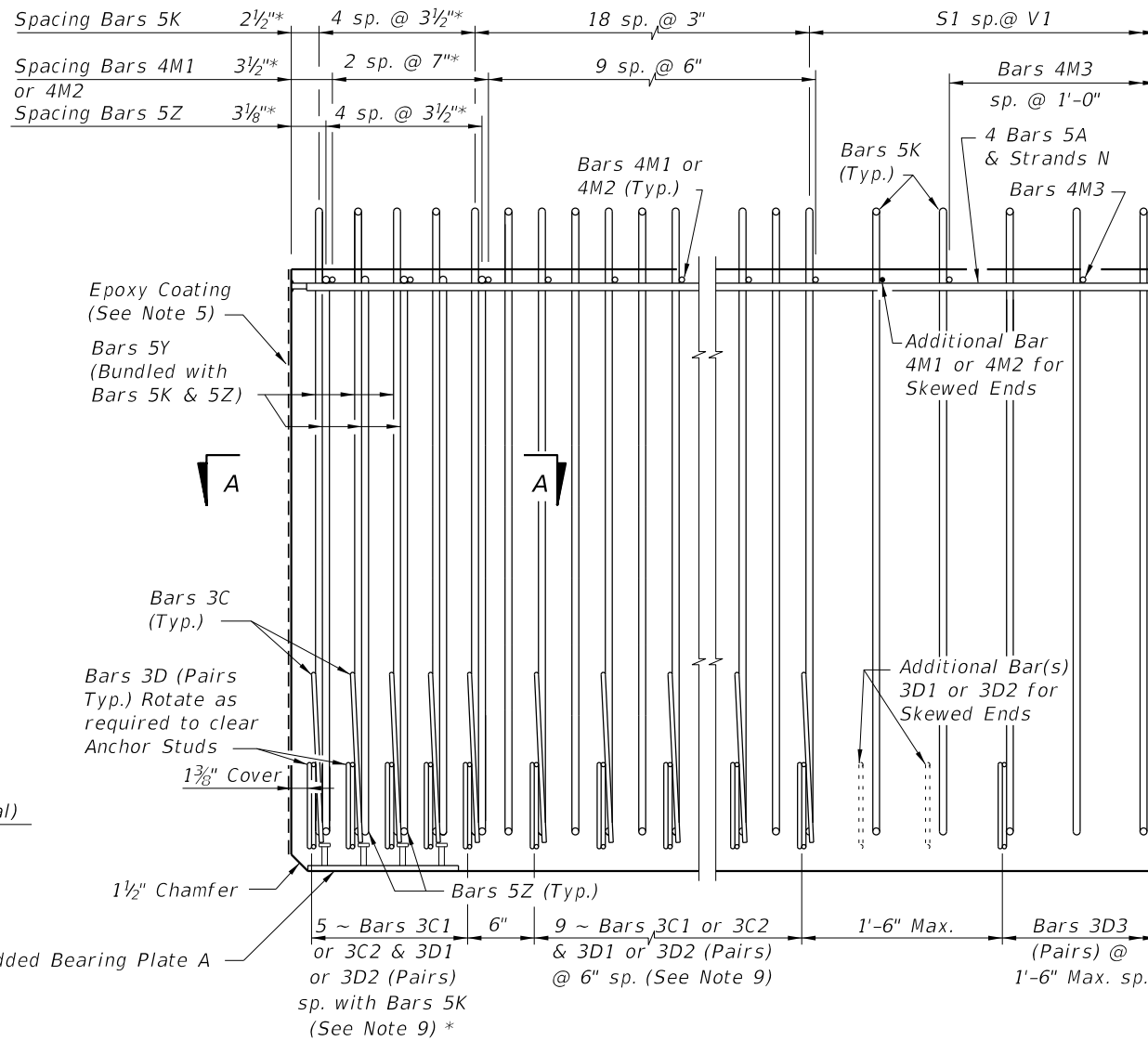
12/17/2015 1:19:32 PM

| | | | | | | |
|---------------------------|----------|--------------|------------------------------------|--------------------------------------|--------------------|---------------------|
| LAST REVISION 07/01/10 | REVISION | DESCRIPTION: | FY 2016-17 DESIGN STANDARDS | FLORIDA-I 45 BEAM - STANDARD DETAILS | INDEX NO. 20045 | SHEET NO. 2 of 2 |
|---------------------------|----------|--------------|------------------------------------|--------------------------------------|--------------------|---------------------|

* These dimensions are measured perpendicular to the end of beam



END VIEW

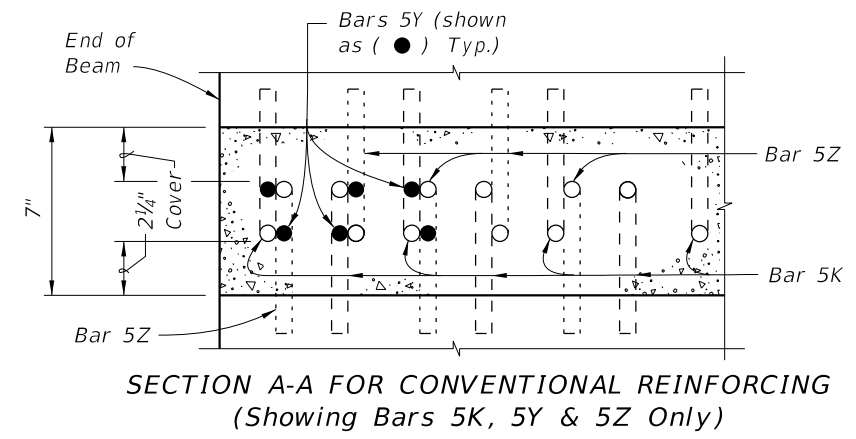
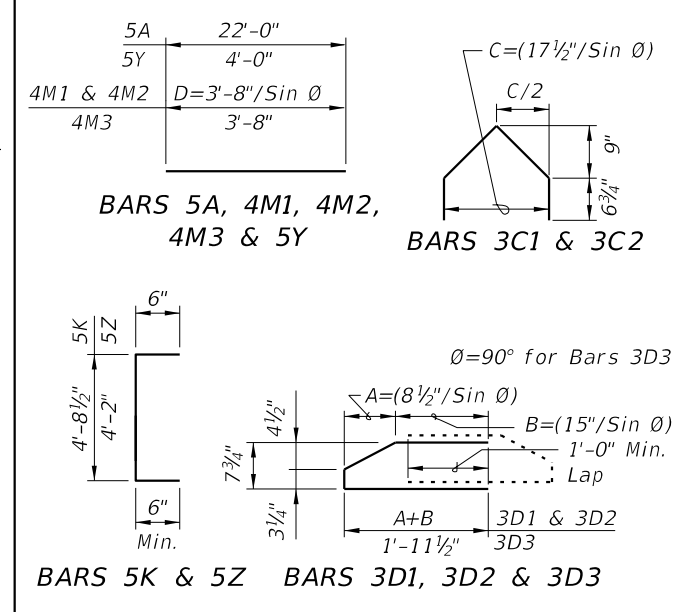


ELEVATION AT END OF BEAM
(Flanges Not Shown For Clarity)
(End 1 Shown, End 2 Similar)

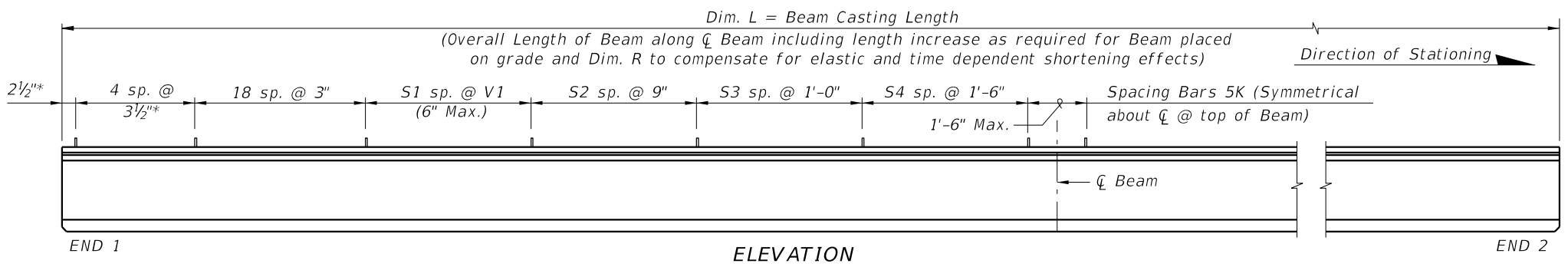
CONVENTIONAL REINFORCING
BAR BENDING DETAILS

| BILL OF REINFORCING STEEL | | | | |
|---------------------------|----------------|---------------|-----------------|-----------------|
| MARK | NOTE NUMBERS | SIZE | NUMBER REQUIRED | LENGTH (NOTE 1) |
| A | — | 5 | 8 | 22'-0" |
| C1 | 9, 10 & 11 | 3 | 14 (End 1) | Varies |
| C2 | 9, 10 & 11 | 3 | 14 (End 2) | Varies |
| D1 | 9, 10, 11 & 14 | 3 | 28 (End 1) | Varies |
| D2 | 9, 10, 11 & 14 | 3 | 28 (End 2) | Varies |
| D3 | 9 & 14 | 3 | See Table | 4'-3" |
| K | 2, 9, 11 & 13 | 5 | See Table | 5'-8" |
| M1 | 9 & 10 | 4 | 12 (End 1) | Varies |
| M2 | 9 & 10 | 4 | 12 (End 2) | Varies |
| M3 | 9 | 4 | See Table | 3'-8" |
| N | 3 & 4 | 3/8" Ø Strand | 4 | Dim. L |
| Y | 9 & 11 | 5 | 12 | 4'-0" |
| Z | 2, 9, 11 & 13 | 5 | 10 | 5'-2" |

BENDING DIAGRAMS (See Note 1)



SECTION A-A FOR CONVENTIONAL REINFORCING
(Showing Bars 5K, 5Y & 5Z Only)



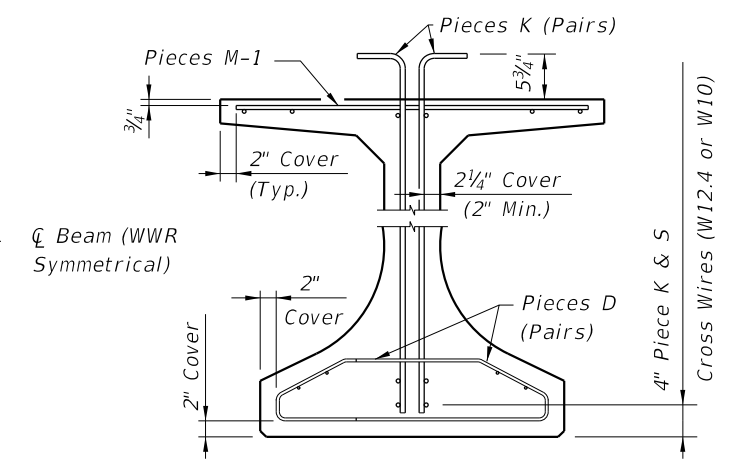
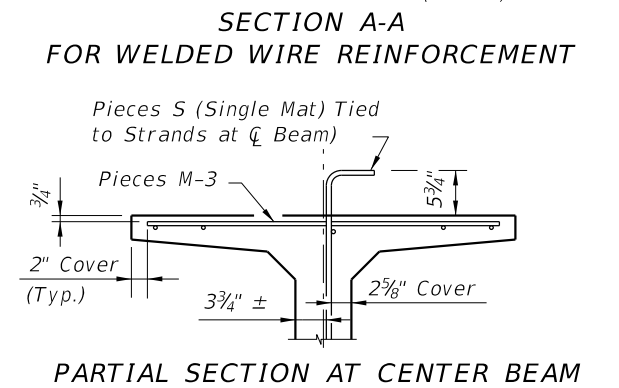
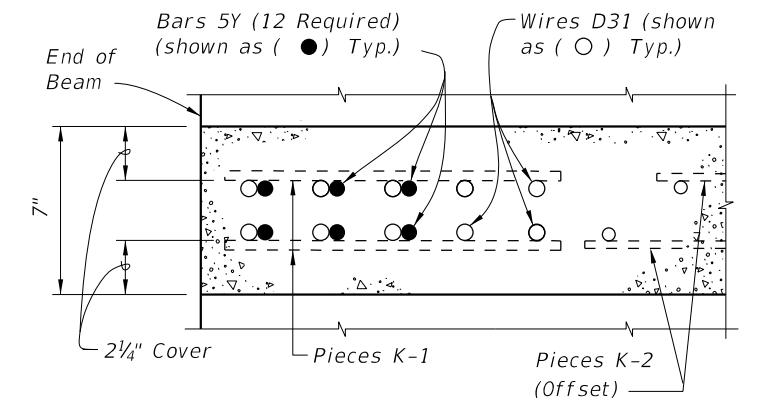
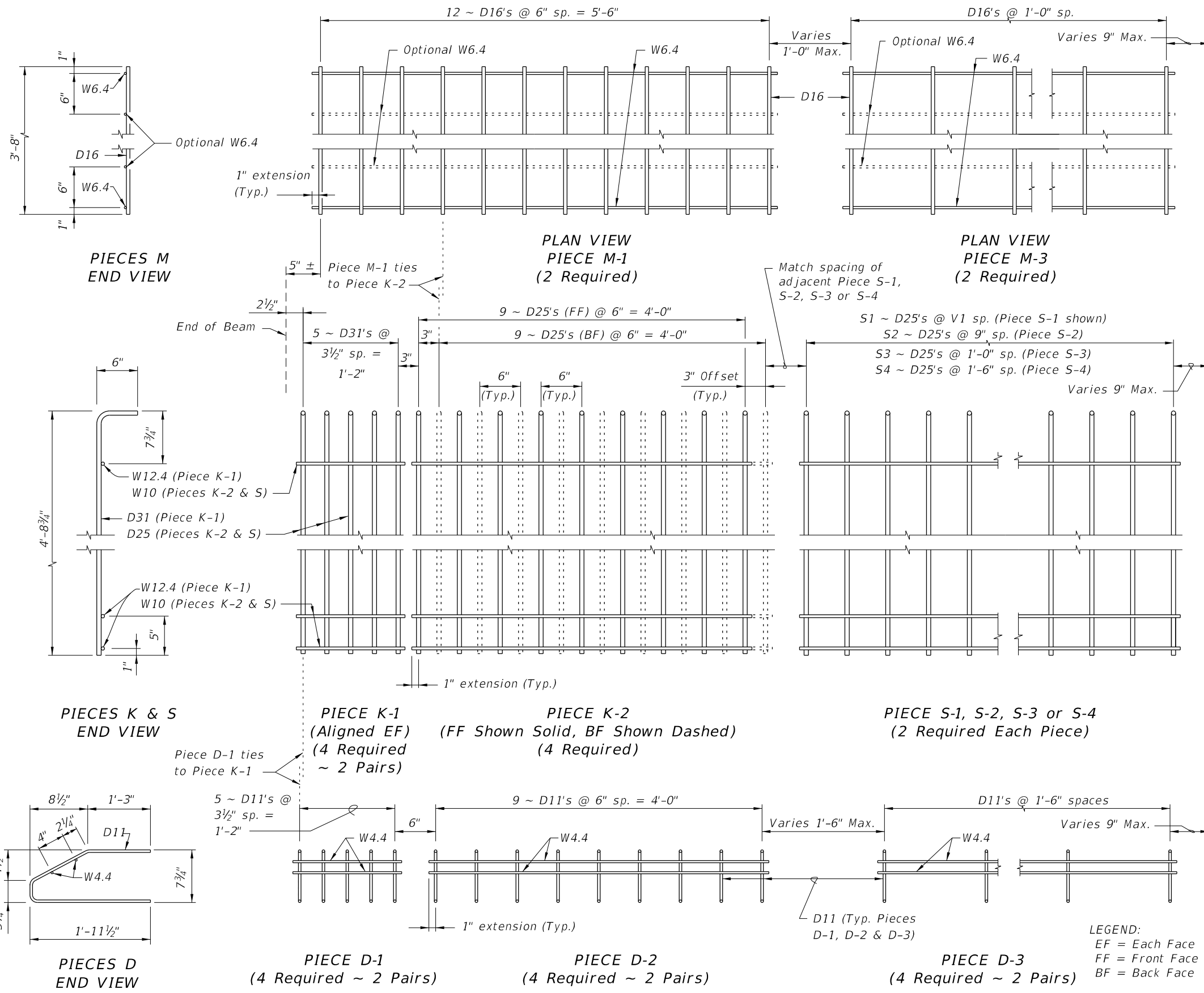
ELEVATION

NOTES:
A. Work this Index with Index No. 20010 - Typical Florida-I Beam Details and Notes and the Florida-I Beam - Table of Beam Variables in Structures Plans.
B. For referenced notes, see Index No. 20010.
C. For Dimensions A, B, C, D, L, R & V1 and number of spaces S1 thru S4, see Florida-I Beam - Table of Beam Variables in Structures Plans.

12/17/2015 1:19:50 PM

| LAST REVISION | DESCRIPTION: |
|---------------|--------------|
| 07/01/12 | |

ALTERNATE REINFORCING STEEL (WELDED WIRE REINFORCEMENT) DETAILS



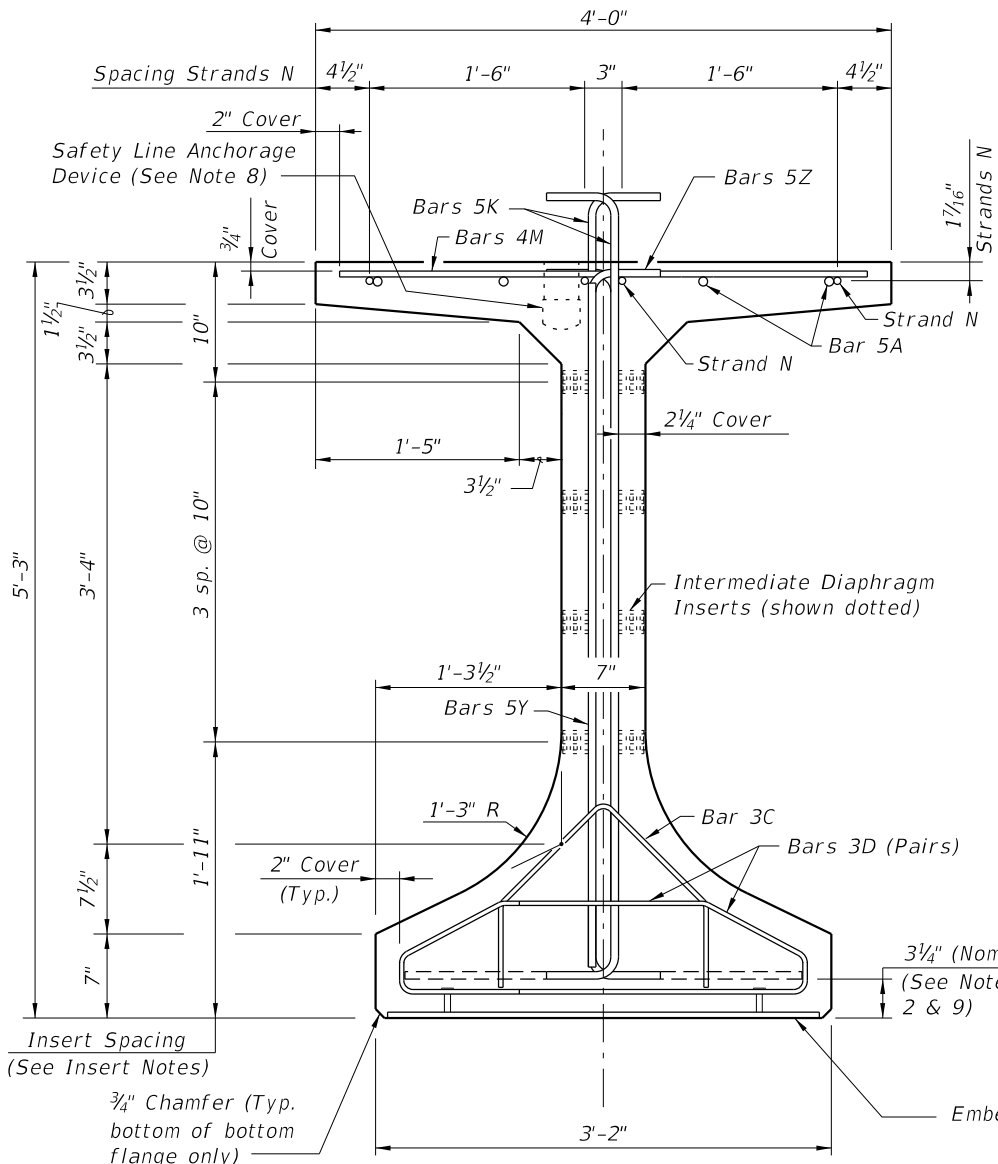
NOTES:
 a. See Sheet 1 for placement details & Table of Beam Variables in Structures Plans for variables S1, S2, S3, S4 & V1.
 b. Place Conventional Reinforcing Bars 5A & 3C as shown on Sheet 1. Place additional Bars 5Y as shown in Section A-A for Welded Wire Reinforcement. Bars 5Z will not be used with the WWR Option.
 c. Pieces may be fabricated in multiple length sections.
 d. For beams with skewed end conditions, Pieces D-1, D-2 & M-1 shall not be used; Conventional Reinforcing Bars D1, D2, C1, C2, M1 & M2 shall be used. See Index No. 20010 Skew Details and Note 9 for placement details. Shift Pieces K & Bars 5Y to accommodate skewed end conditions and align with Bars C and D.

LEGEND:
 EF = Each Face
 FF = Front Face
 BF = Back Face

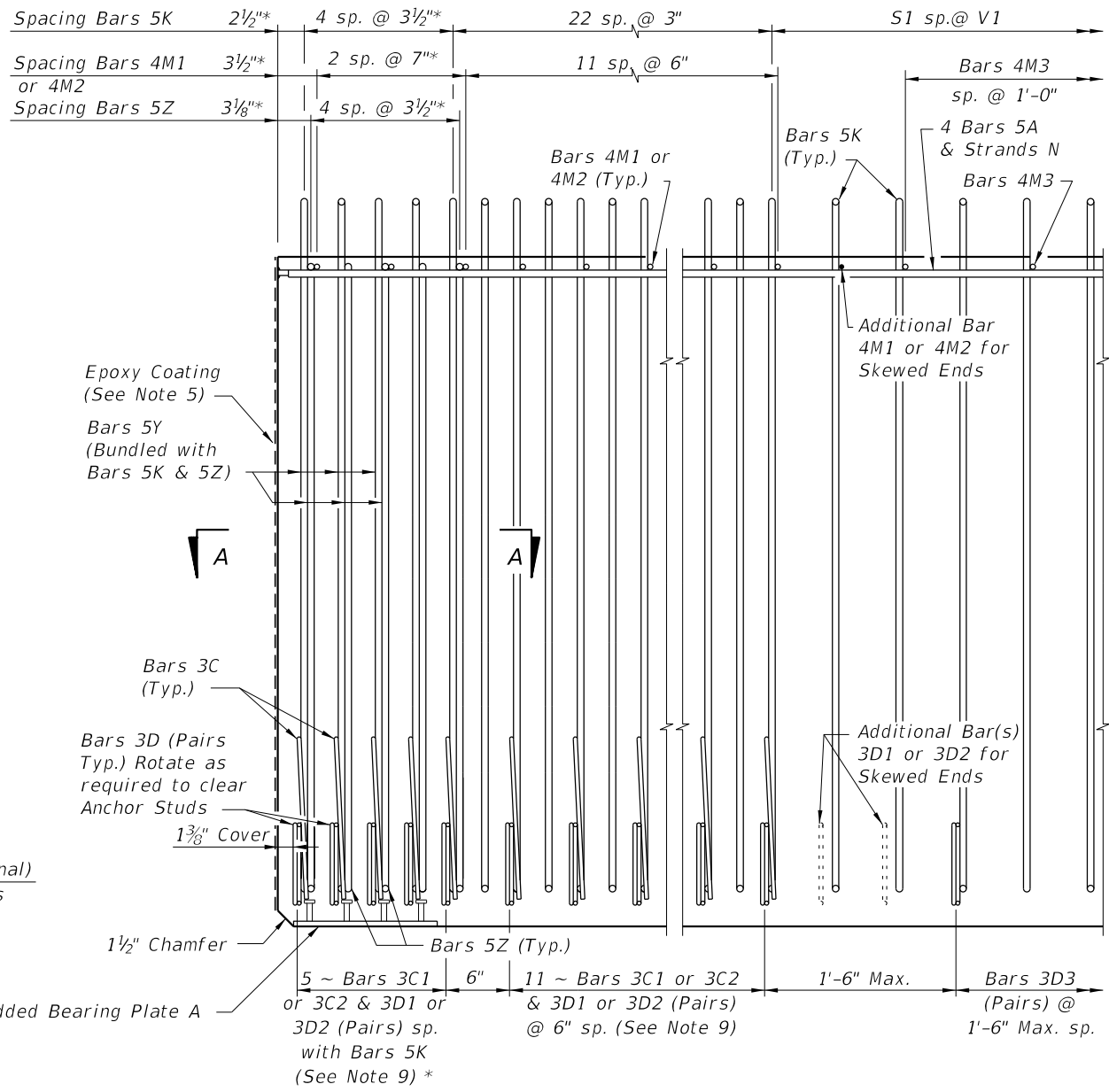
12/17/2015 1:19:51 PM

| | | | | | |
|---------------------------|--------------|--------------------------------|--------------------------------------|--------------------|---------------------|
| LAST REVISION 07/01/10 | DESCRIPTION: | FY 2016-17 DESIGN STANDARDS | FLORIDA-I 54 BEAM - STANDARD DETAILS | INDEX NO. 20054 | SHEET NO. 2 of 2 |
|---------------------------|--------------|--------------------------------|--------------------------------------|--------------------|---------------------|

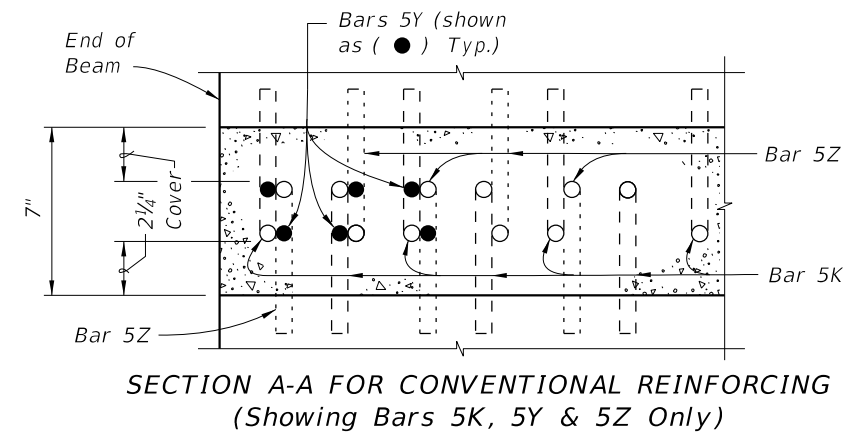
* These dimensions are measured perpendicular to the end of beam



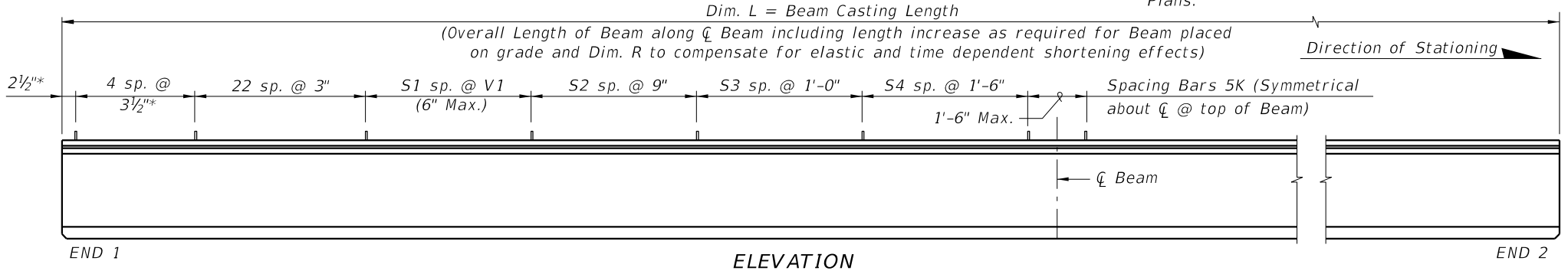
END VIEW



ELEVATION AT END OF BEAM
(Flanges Not Shown For Clarity)
(End 1 Shown, End 2 Similar)



SECTION A-A FOR CONVENTIONAL REINFORCING
(Showing Bars 5K, 5Y & 5Z Only)

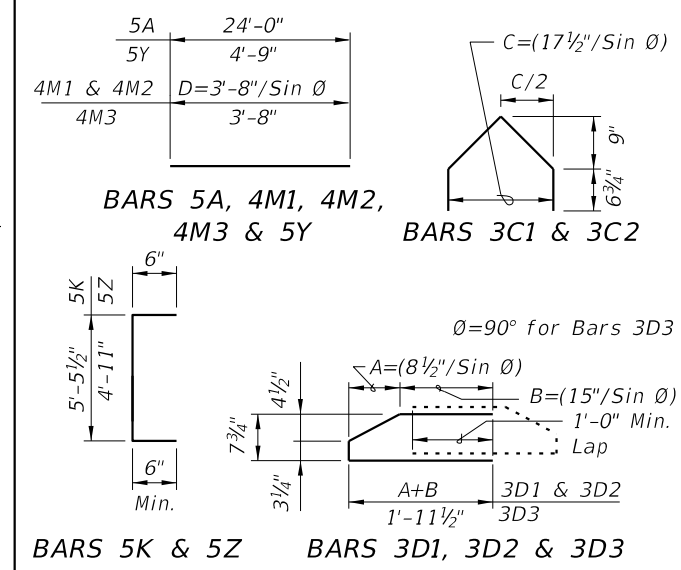


ELEVATION

CONVENTIONAL REINFORCING
BAR BENDING DETAILS

| BILL OF REINFORCING STEEL | | | | |
|---------------------------|----------------|---------------|-----------------|-----------------|
| MARK | NOTE NUMBERS | SIZE | NUMBER REQUIRED | LENGTH (NOTE 1) |
| A | — | 5 | 8 | 24'-0" |
| C1 | 9, 10 & 11 | 3 | 16 (End 1) | Varies |
| C2 | 9, 10 & 11 | 3 | 16 (End 2) | Varies |
| D1 | 9, 10, 11 & 14 | 3 | 32 (End 1) | Varies |
| D2 | 9, 10, 11 & 14 | 3 | 32 (End 2) | Varies |
| D3 | 9 & 14 | 3 | See Table | 4'-3" |
| K | 2, 9, 11 & 13 | 5 | See Table | 6'-5" |
| M1 | 9 & 10 | 4 | 14 (End 1) | Varies |
| M2 | 9 & 10 | 4 | 14 (End 2) | Varies |
| M3 | 9 | 4 | See Table | 3'-8" |
| N | 3 & 4 | 3/8" Ø Strand | 4 | Dim. L |
| Y | 9 & 11 | 5 | 12 | 4'-9" |
| Z | 2, 9, 11 & 13 | 5 | 10 | 5'-11" |

BENDING DIAGRAMS (See Note 1)

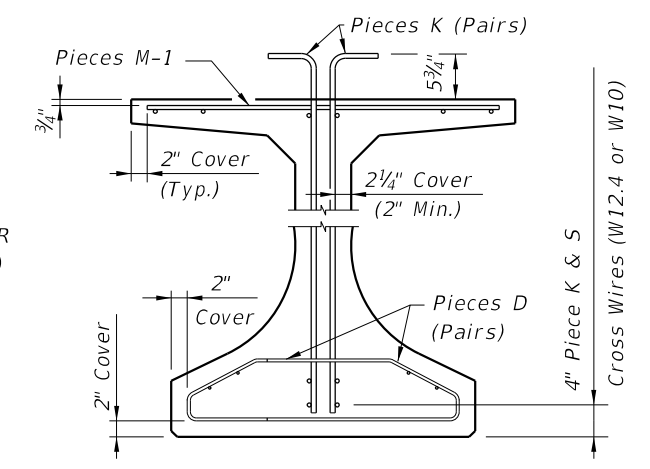
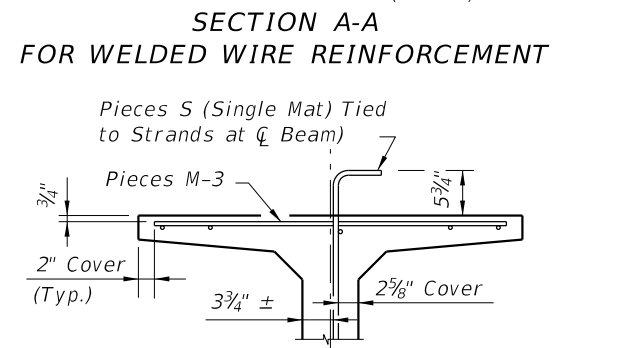
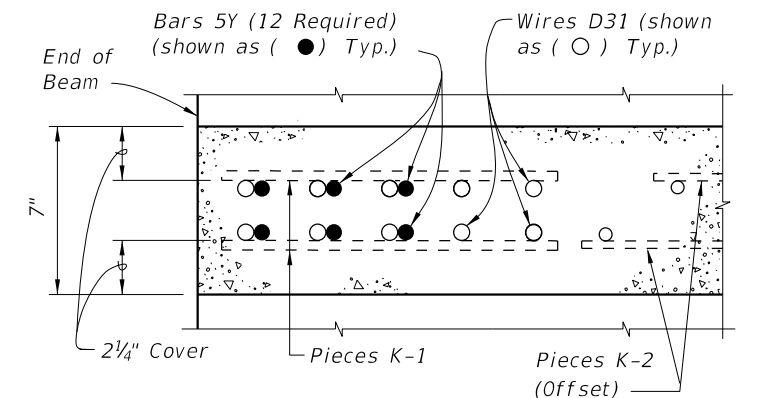
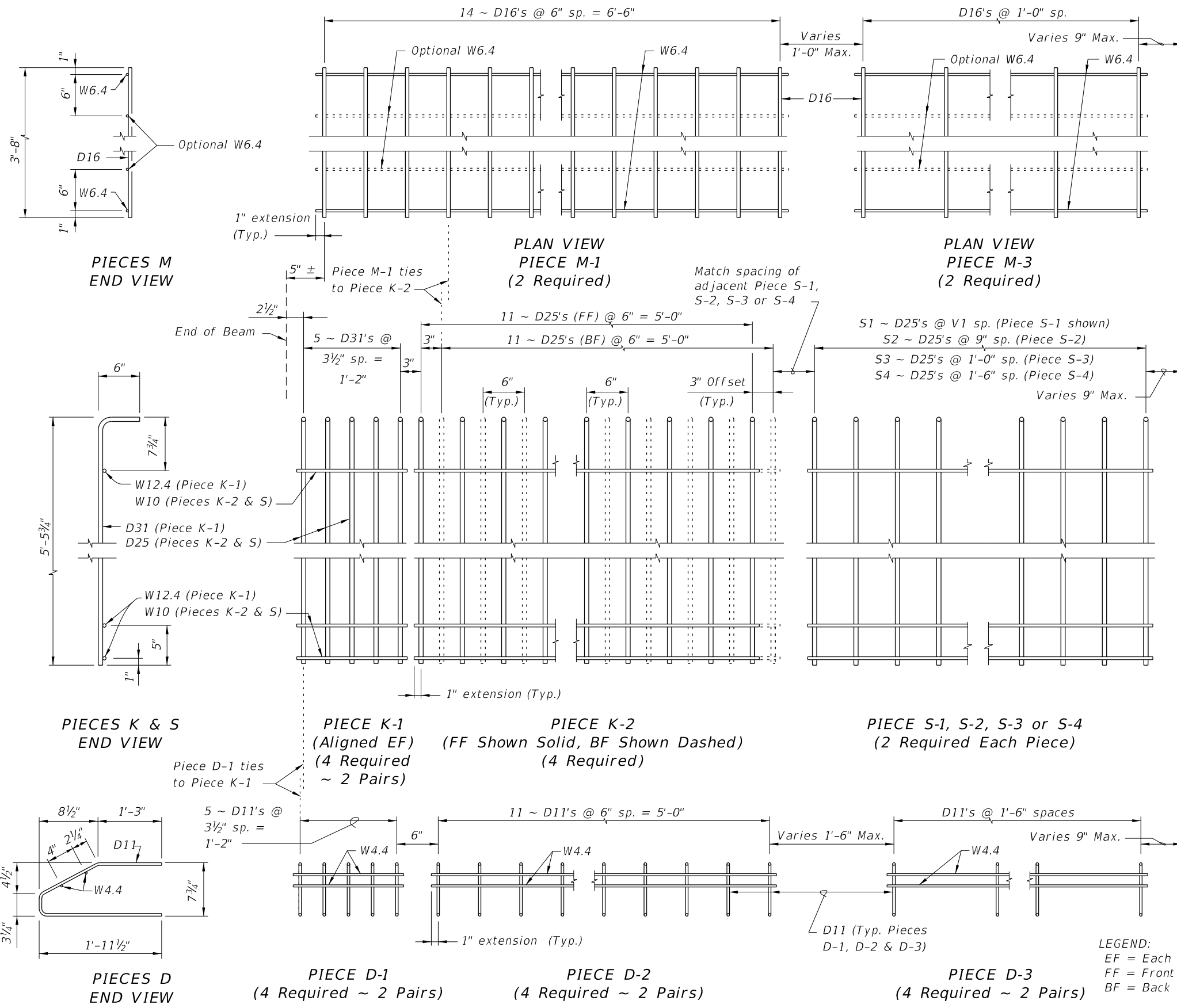


- NOTES:
- A. Work this Index with Index No. 20010 - Typical Florida-I Beam Details and Notes and the Florida-I Beam - Table of Beam Variables in Structures Plans.
 - B. For referenced notes, see Index No. 20010.
 - C. For Dimensions A, B, C, D, L, R & V1 and number of spaces S1 thru S4, see Florida-I Beam - Table of Beam Variables in Structures Plans.

12/17/2015 1:20:12 PM

| LAST REVISION | DESCRIPTION: |
|---------------|--------------|
| 07/01/12 | |

ALTERNATE REINFORCING STEEL (WELDED WIRE REINFORCEMENT) DETAILS

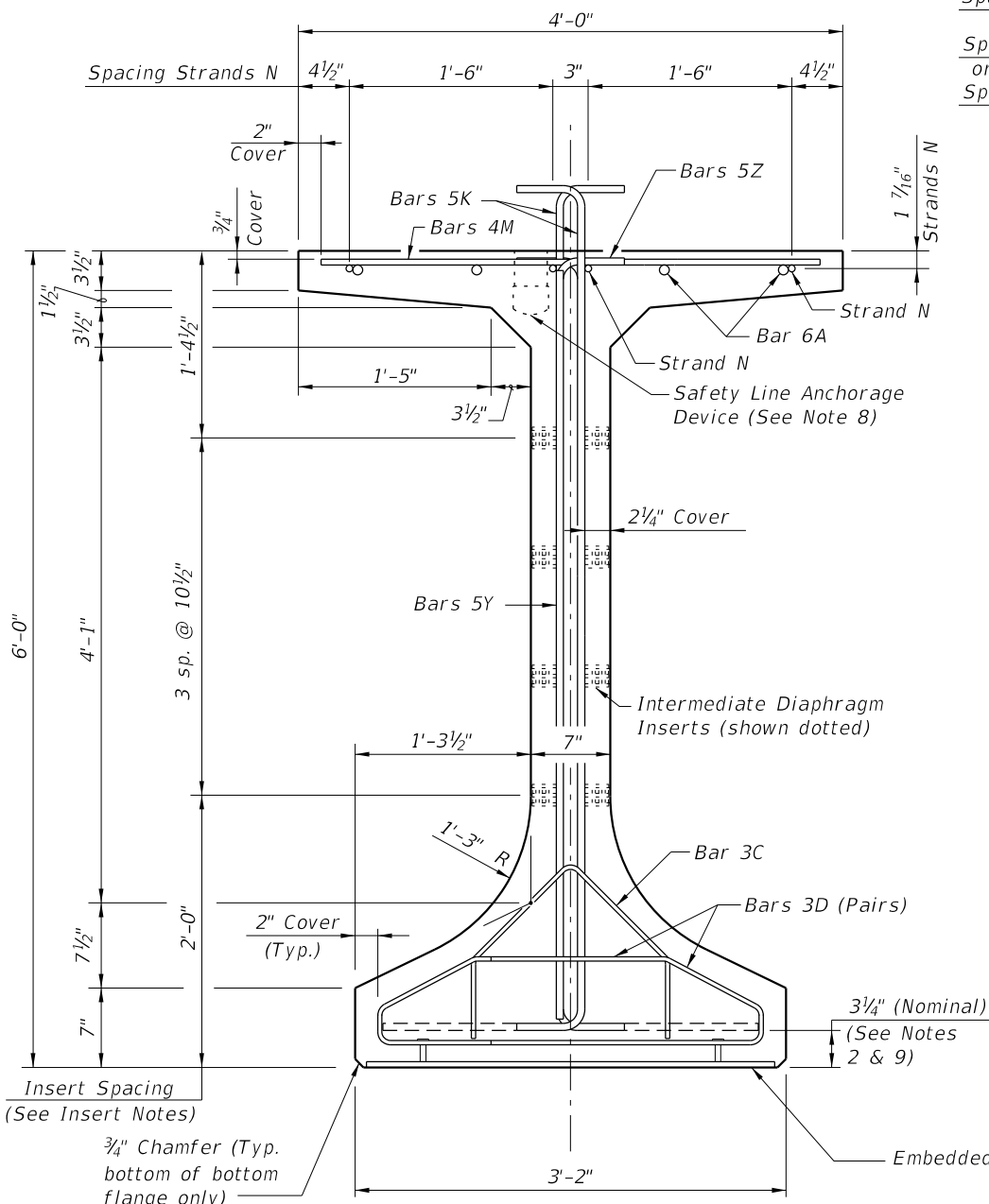


- NOTES:**
- See Sheet 1 for placement details & Table of Beam Variables in Structures Plans for variables S1, S2, S3, S4 & V1.
 - Place Conventional Reinforcing Bars 5A & 3C as shown on Sheet 1. Place additional Bars 5Y as shown in Section A-A for Welded Wire Reinforcement. Bars 5Z will not be used with the WWR Option.
 - Pieces may be fabricated in multiple length sections.
 - For beams with skewed end conditions, Pieces D-1, D-2 & M-1 shall not be used; Conventional Reinforcing Bars D1, D2, C1, C2, M1 & M2 shall be used. See Index No. 20010 Skew Details and Note 9 for placement details. Shift Pieces K & Bars 5Y to accommodate skewed end conditions and align with Bars C and D.
- LEGEND:**
 EF = Each Face
 FF = Front Face
 BF = Back Face

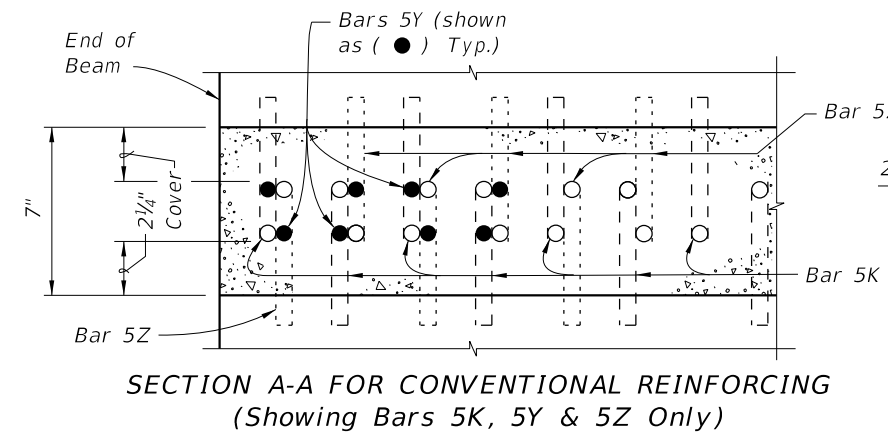
12/17/2015 1:20:13 PM

| | | | | | | |
|---------------------------|----------|--------------|------------------------------------|--------------------------------------|--------------------|---------------------|
| LAST REVISION 07/01/10 | REVISION | DESCRIPTION: | FY 2016-17 DESIGN STANDARDS | FLORIDA-I 63 BEAM - STANDARD DETAILS | INDEX NO. 20063 | SHEET NO. 2 of 2 |
|---------------------------|----------|--------------|------------------------------------|--------------------------------------|--------------------|---------------------|

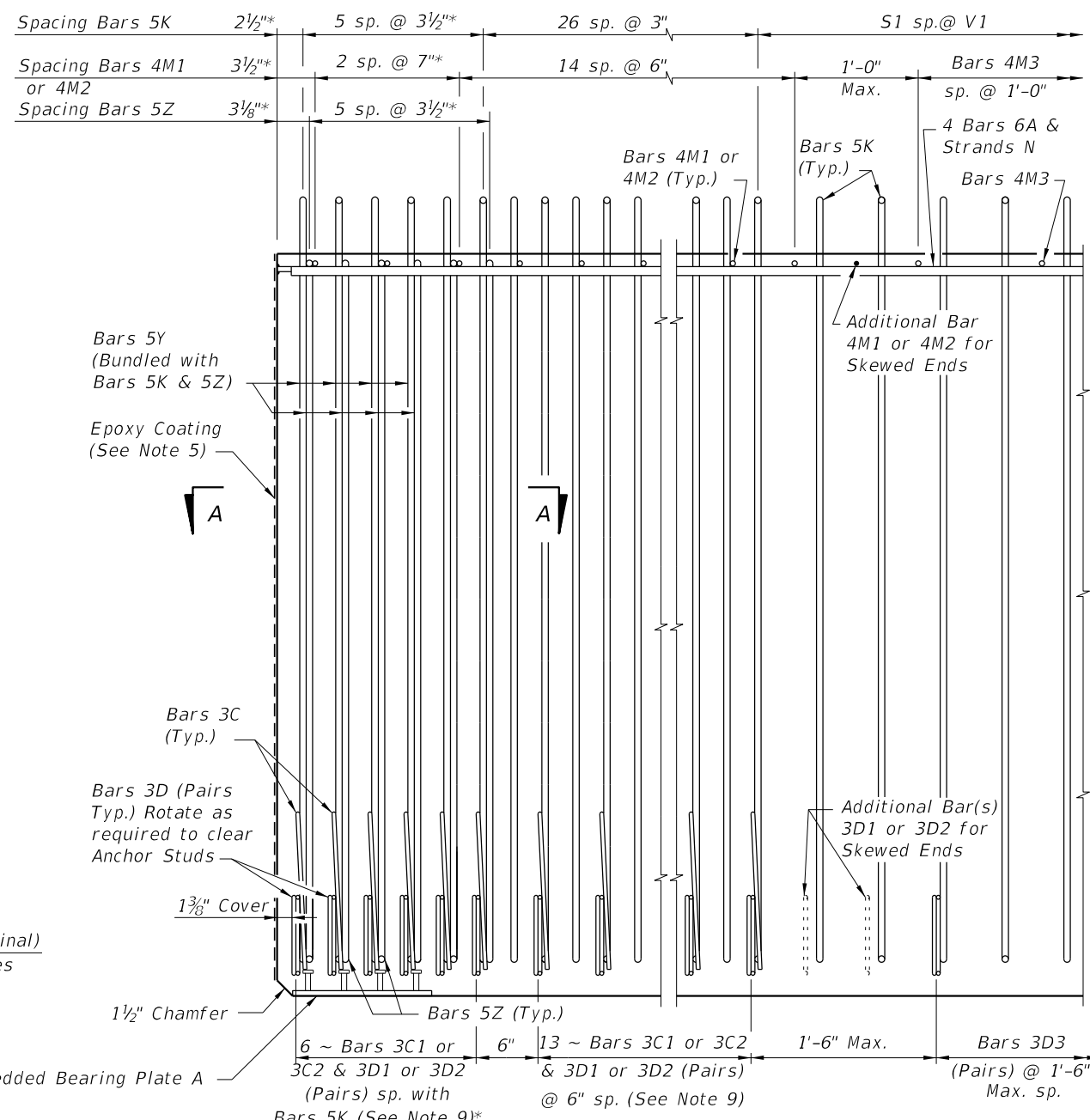
* These dimensions are measured perpendicular to the end of beam



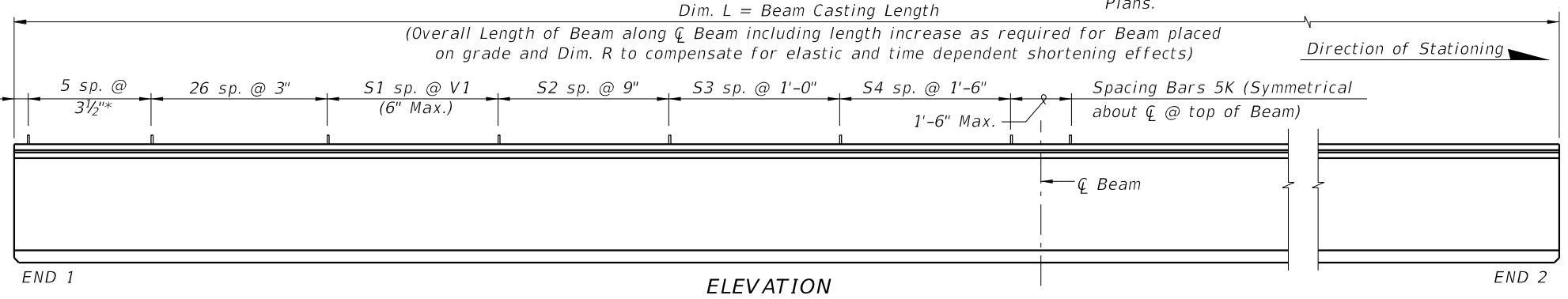
END VIEW



SECTION A-A FOR CONVENTIONAL REINFORCING (Showing Bars 5K, 5Y & 5Z Only)



ELEVATION AT END OF BEAM (Flanges Not Shown For Clarity) (End 1 Shown, End 2 Similar)

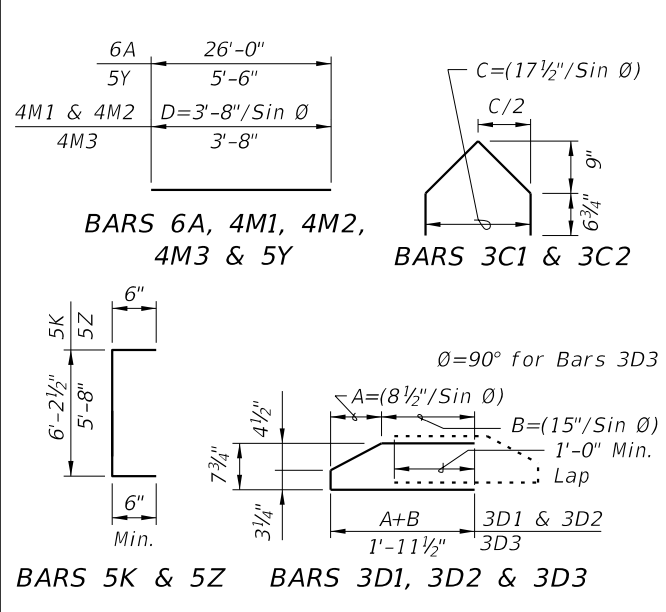


ELEVATION

CONVENTIONAL REINFORCING BAR BENDING DETAILS

| BILL OF REINFORCING STEEL | | | | |
|---------------------------|----------------|---------------|-----------------|-----------------|
| MARK | NOTE NUMBERS | SIZE | NUMBER REQUIRED | LENGTH (NOTE 1) |
| A | — | 6 | 8 | 26'-0" |
| C1 | 9, 10 & 11 | 3 | 19 (End 1) | Varies |
| C2 | 9, 10 & 11 | 3 | 19 (End 2) | Varies |
| D1 | 9, 10, 11 & 14 | 3 | 38 (End 1) | Varies |
| D2 | 9, 10, 11 & 14 | 3 | 38 (End 2) | Varies |
| D3 | 9 & 14 | 3 | See Table | 4'-3" |
| K | 2, 9, 11 & 13 | 5 | See Table | 7'-2" |
| M1 | 9 & 10 | 4 | 17 (End 1) | Varies |
| M2 | 9 & 10 | 4 | 17 (End 2) | Varies |
| M3 | 9 | 4 | See Table | 3'-8" |
| N | 3 & 4 | 3/8" Ø Strand | 4 | Dim. L |
| Y | 9 & 11 | 5 | 16 | 5'-6" |
| Z | 2, 9, 11 & 13 | 5 | 12 | 6'-8" |

BENDING DIAGRAMS (See Note 1)

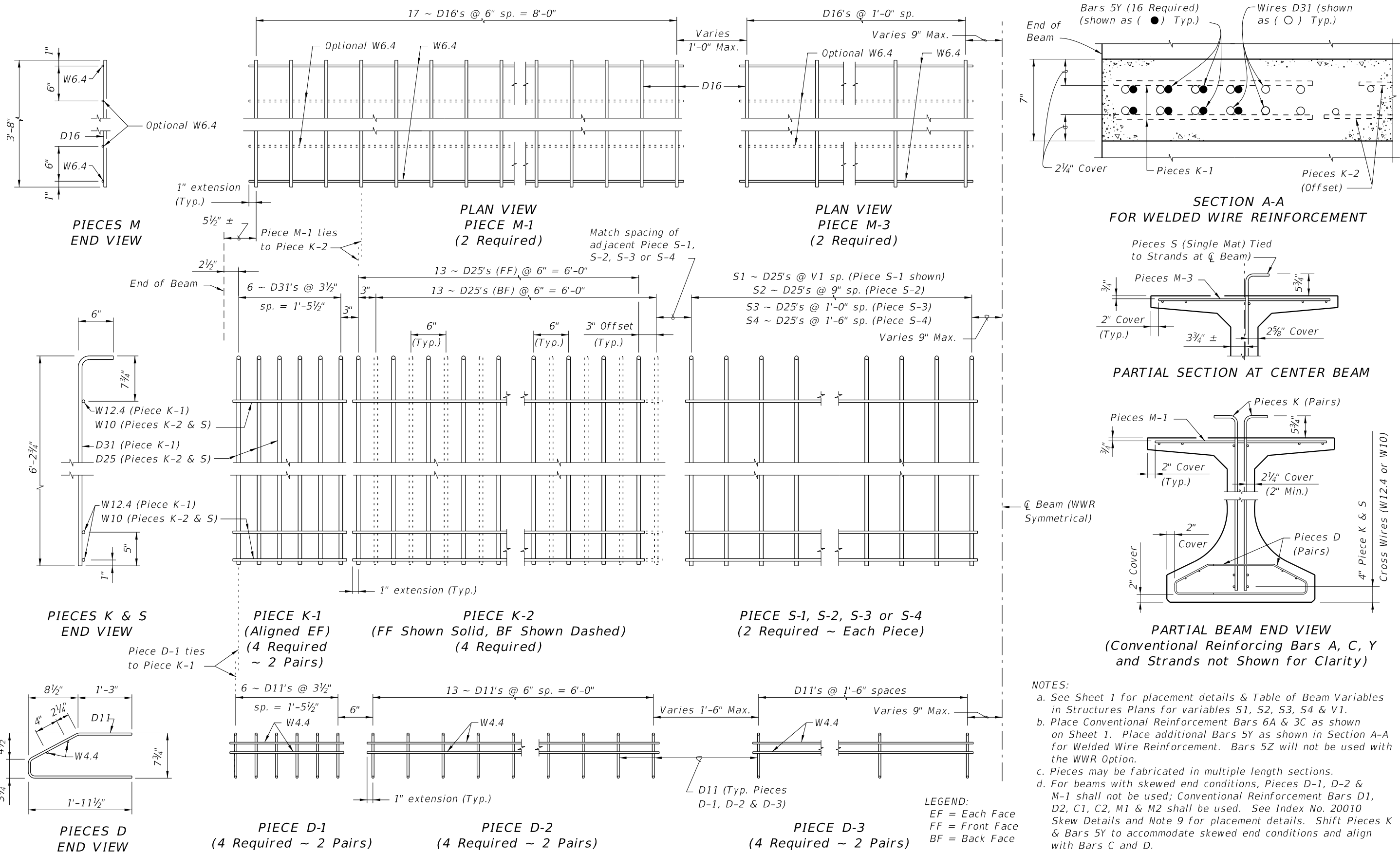


NOTES:
 A. Work this Index with Index No. 20010 - Typical Florida-I Beam Details and Notes and the Florida-I Beam - Table of Beam Variables in Structures Plans.
 B. For referenced notes, see Index No. 20010.
 C. For Dimensions A, B, C, D, L, R & V1 and number of spaces S1 thru S4, see Florida-I Beam - Table of Beam Variables in Structures Plans.

12/17/2015 2:29:18 PM

| LAST REVISION | DESCRIPTION: |
|---------------|--------------|
| 07/01/12 | |

ALTERNATE REINFORCING STEEL (WELDED WIRE REINFORCEMENT) DETAILS



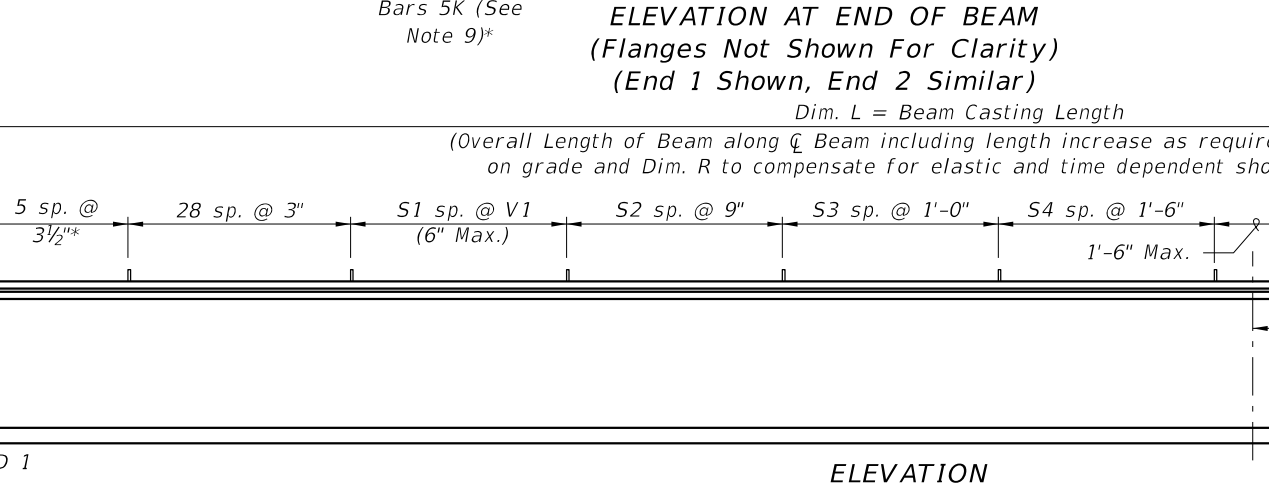
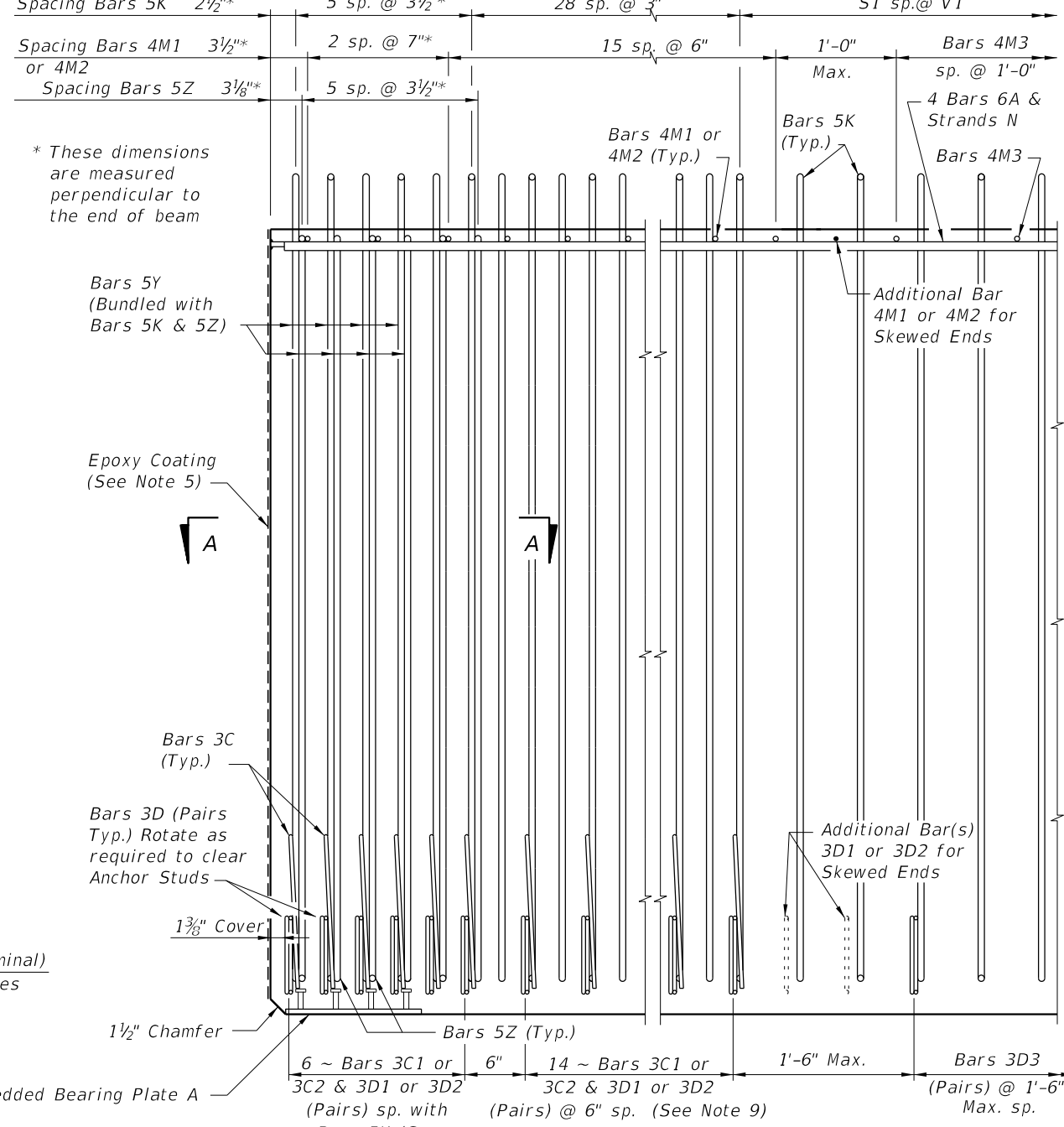
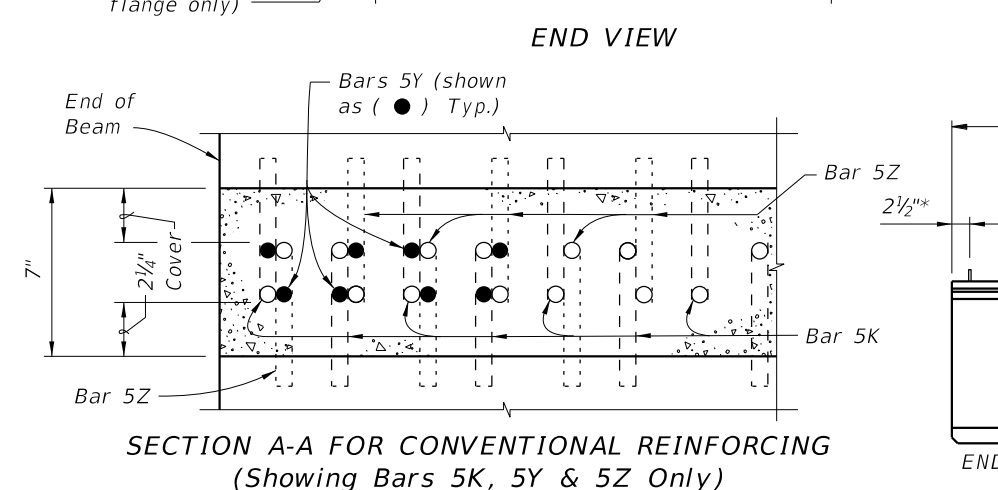
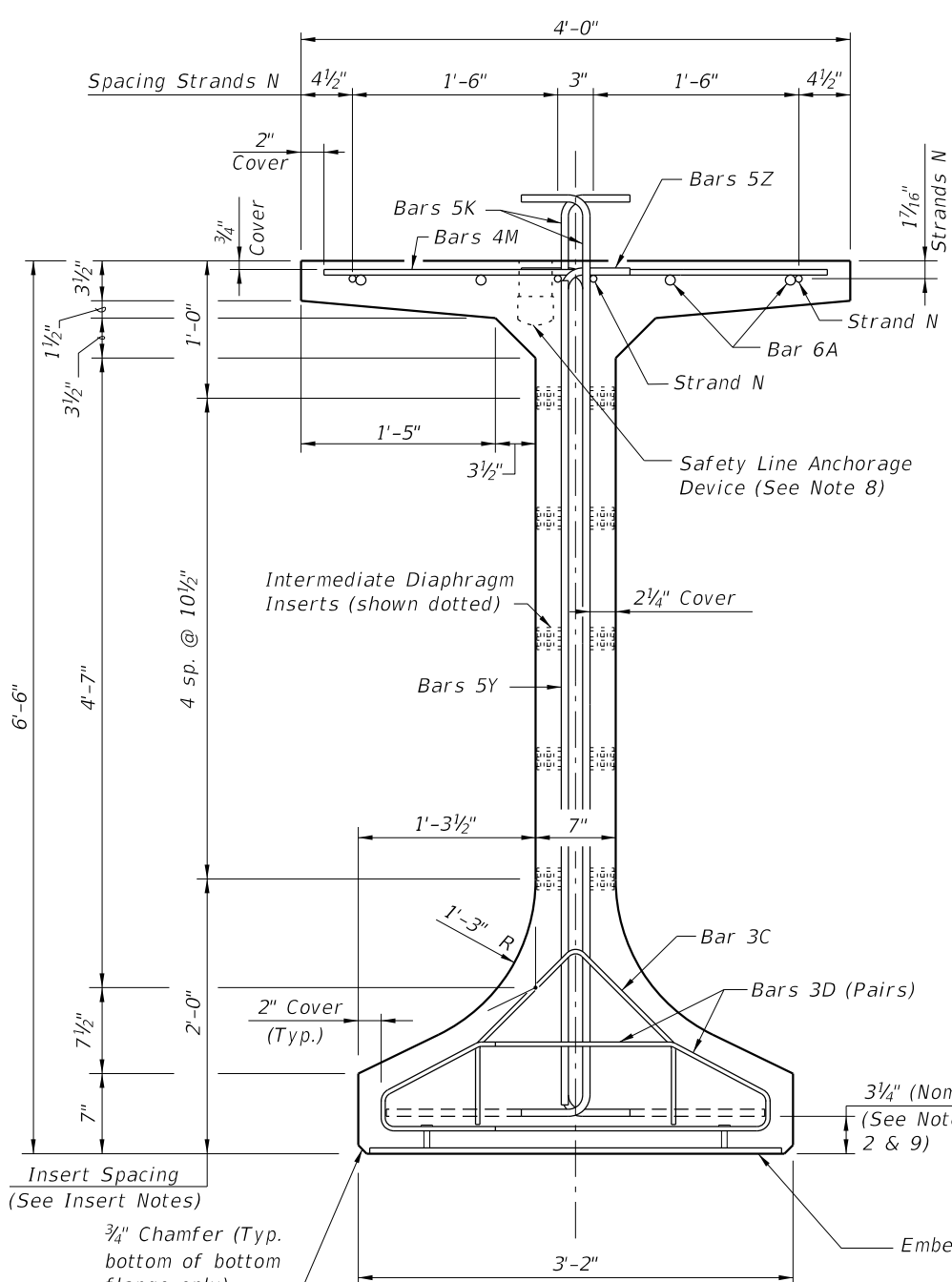
NOTES:

- See Sheet 1 for placement details & Table of Beam Variables in Structures Plans for variables S1, S2, S3, S4 & V1.
- Place Conventional Reinforcing Bars 6A & 3C as shown on Sheet 1. Place additional Bars 5Y as shown in Section A-A for Welded Wire Reinforcement. Bars 5Z will not be used with the WWR Option.
- Pieces may be fabricated in multiple length sections.
- For beams with skewed end conditions, Pieces D-1, D-2 & M-1 shall not be used; Conventional Reinforcing Bars D1, D2, C1, C2, M1 & M2 shall be used. See Index No. 20010 Skew Details and Note 9 for placement details. Shift Pieces K & Bars 5Y to accommodate skewed end conditions and align with Bars C and D.

LEGEND:
 EF = Each Face
 FF = Front Face
 BF = Back Face

12/17/2015 2:29:19 PM

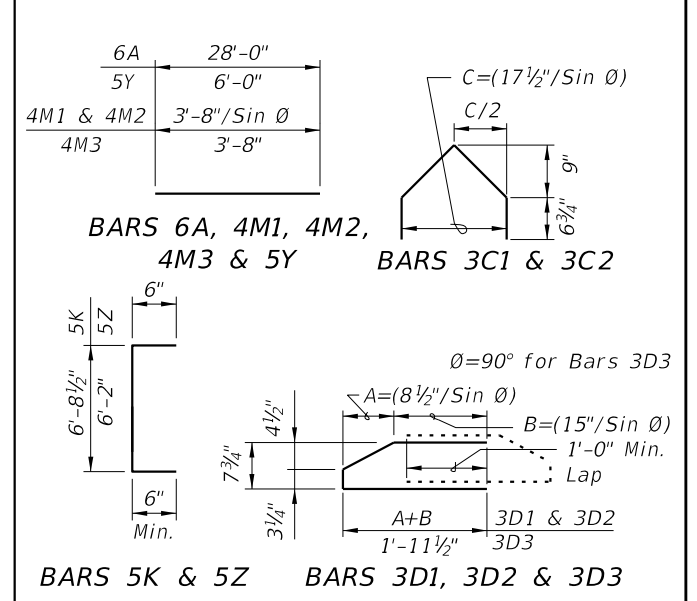
| | | | | | | |
|---------------------------|----------|--------------|---|--------------------------------------|--------------------|---------------------|
| LAST REVISION 07/01/10 | REVISION | DESCRIPTION: |  FY 2016-17 DESIGN STANDARDS | FLORIDA-I 72 BEAM - STANDARD DETAILS | INDEX NO. 20072 | SHEET NO. 2 of 2 |
|---------------------------|----------|--------------|---|--------------------------------------|--------------------|---------------------|



CONVENTIONAL REINFORCING BAR BENDING DETAILS

| BILL OF REINFORCING STEEL | | | | |
|---------------------------|----------------|---------------|-----------------|-----------------|
| MARK | NOTE NUMBERS | SIZE | NUMBER REQUIRED | LENGTH (NOTE 1) |
| A | — | 6 | 8 | 28'-0" |
| C1 | 9, 10 & 11 | 3 | 20 (End 1) | Varies |
| C2 | 9, 10 & 11 | 3 | 20 (End 2) | Varies |
| D1 | 9, 10, 11 & 14 | 3 | 40 (End 1) | Varies |
| D2 | 9, 10, 11 & 14 | 3 | 40 (End 2) | Varies |
| D3 | 9 & 14 | 3 | See Table | 4'-3" |
| K | 2, 9, 11 & 13 | 5 | See Table | 7'-8" |
| M1 | 9 & 10 | 4 | 18 (End 1) | Varies |
| M2 | 9 & 10 | 4 | 18 (End 2) | Varies |
| M3 | 9 | 4 | See Table | 3'-8" |
| N | 3 & 4 | 3/8" Ø Strand | 4 | Dim. L |
| Y | 9 & 11 | 5 | 16 | 6'-0" |
| Z | 2, 9, 11 & 13 | 5 | 12 | 7'-2" |

BENDING DIAGRAMS (See Note 1)

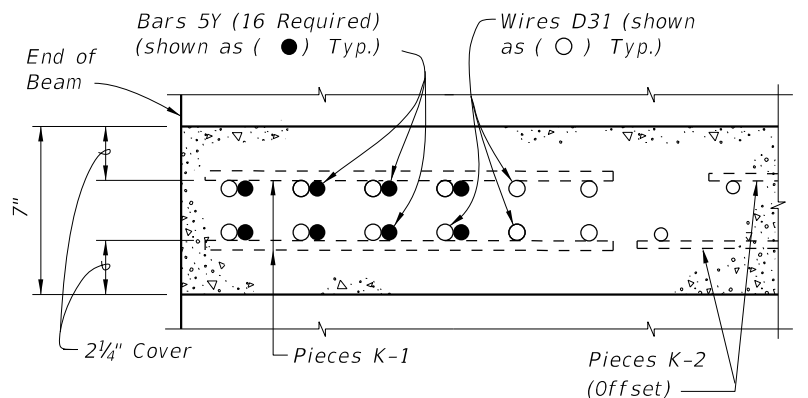
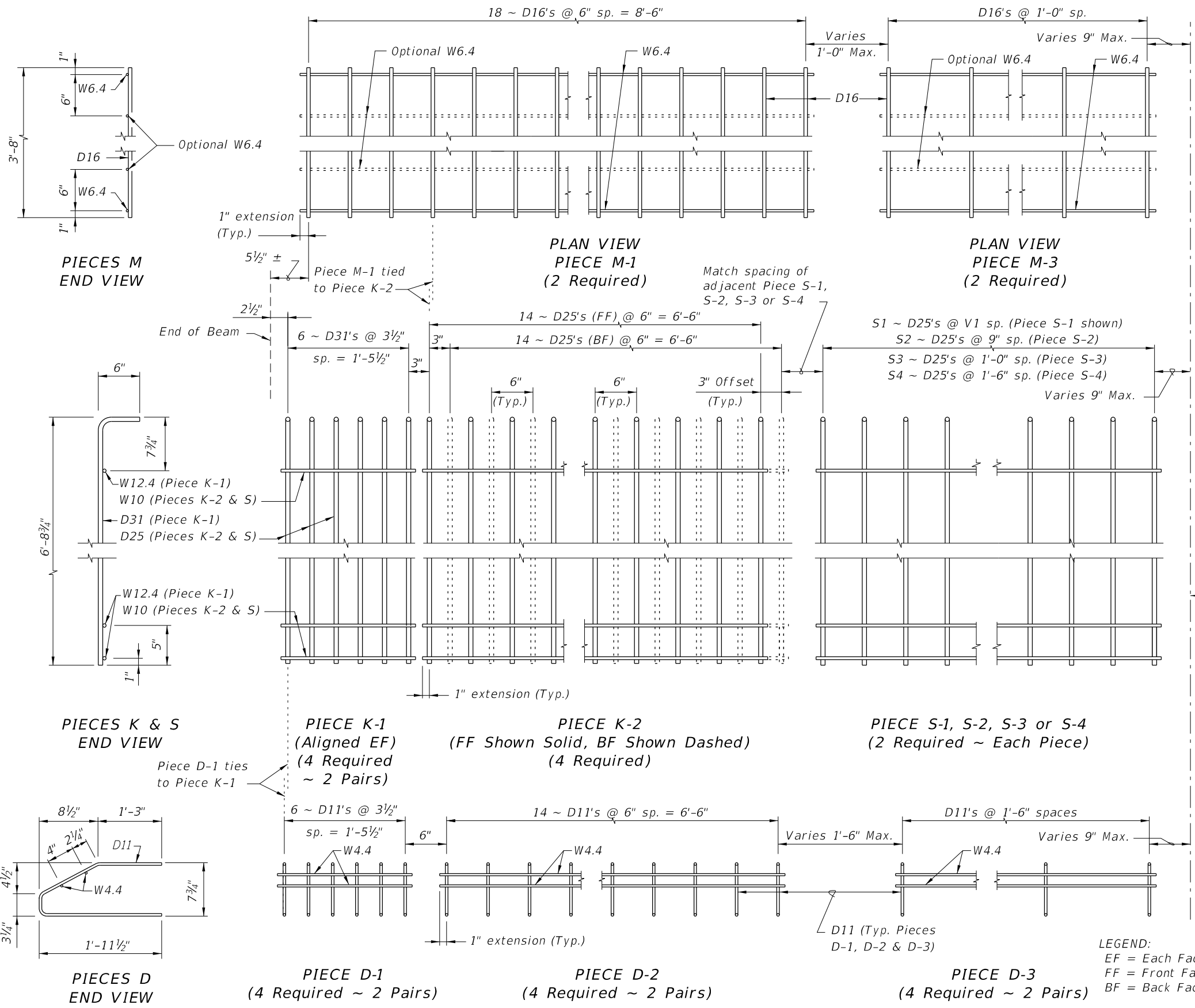


NOTES:
 A. Work this Index with Index No. 20010 - Typical Florida-I Beam Details and Notes and the Florida-I Beam - Table of Beam Variables in Structures Plans.
 B. For referenced notes, see Index No. 20010.
 C. For Dimensions A, B, C, D, L, R & V1 and number of spaces S1 thru S4, see Florida-I Beam - Table of Beam Variables in Structures Plans.

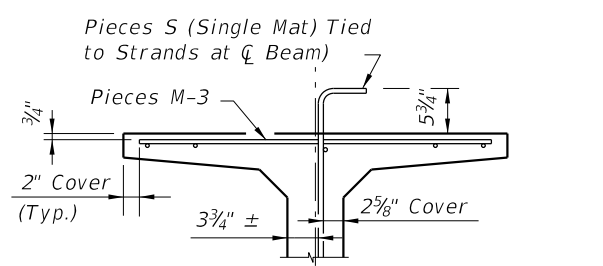
12/17/2015 1:20:54 PM

| LAST REVISION | DESCRIPTION: |
|---------------|--------------|
| 07/01/12 | |

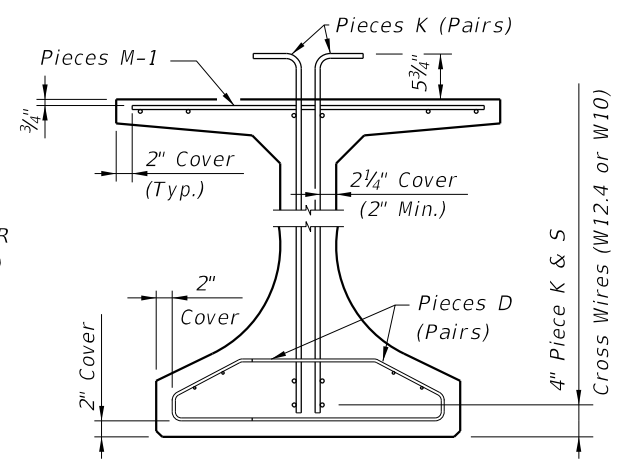
ALTERNATE REINFORCING STEEL (WELDED WIRE REINFORCEMENT) DETAILS



SECTION A-A FOR WELDED WIRE REINFORCEMENT



PARTIAL SECTION AT CENTER BEAM

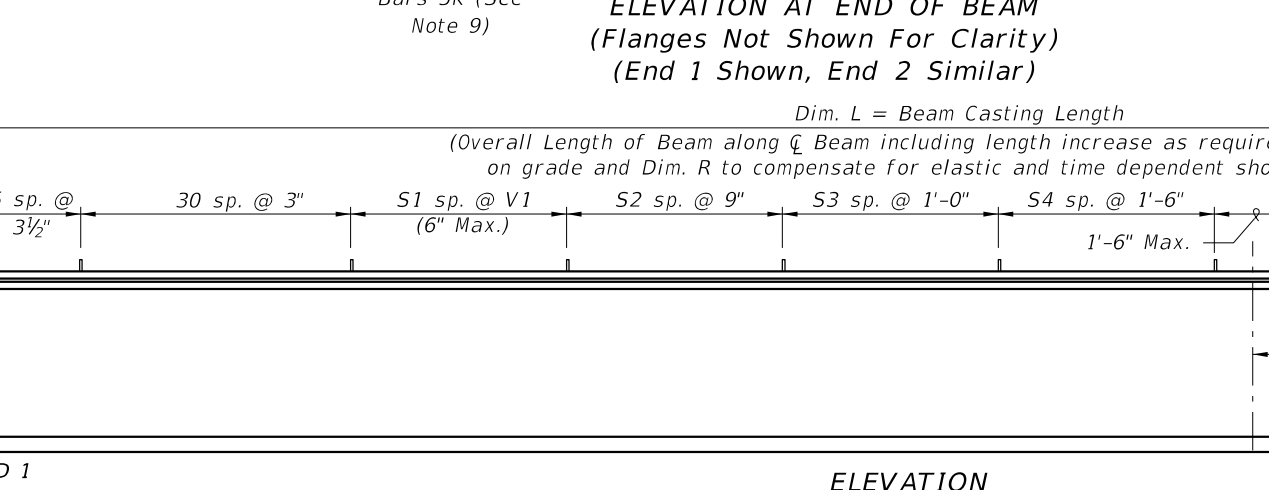
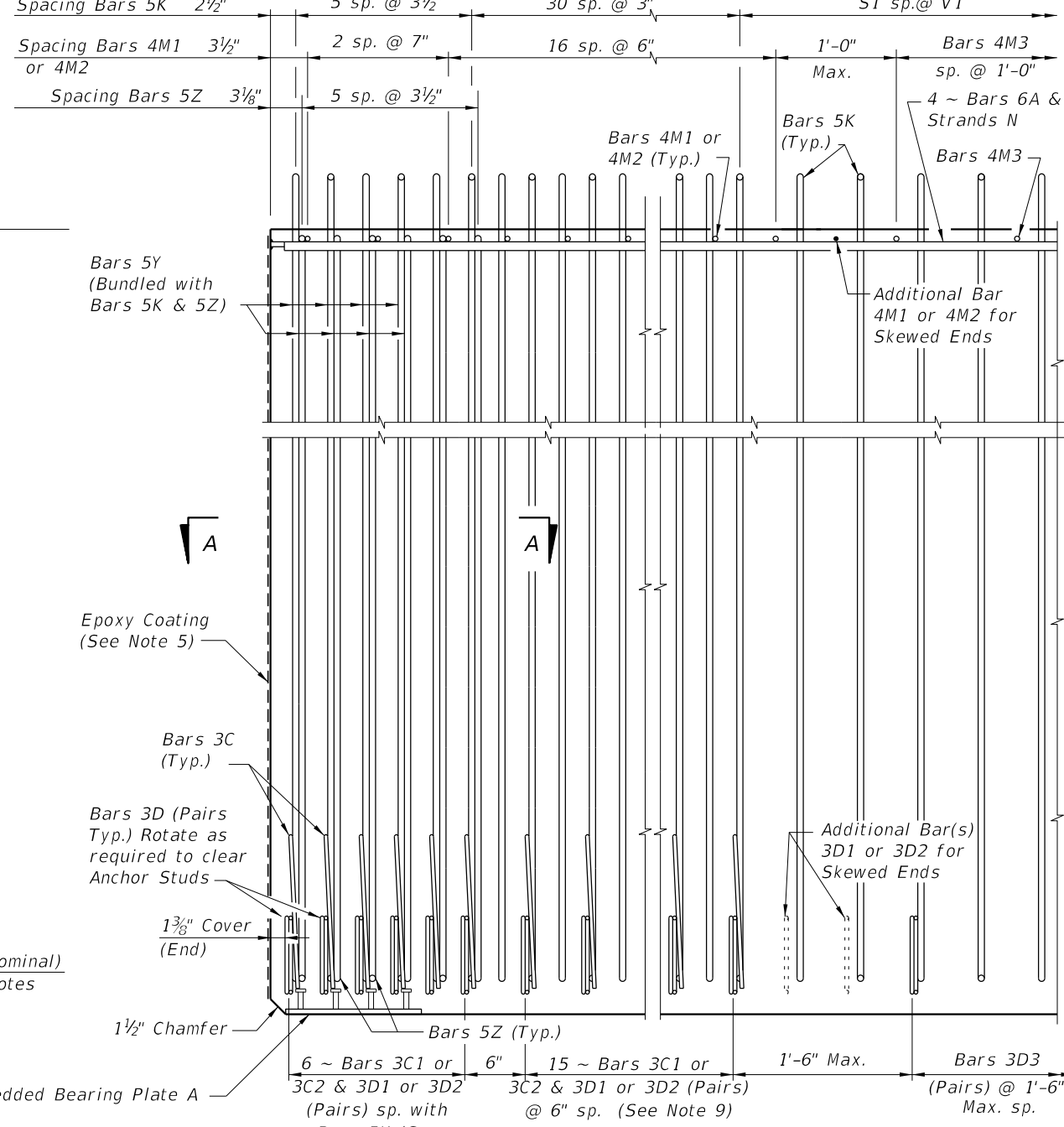
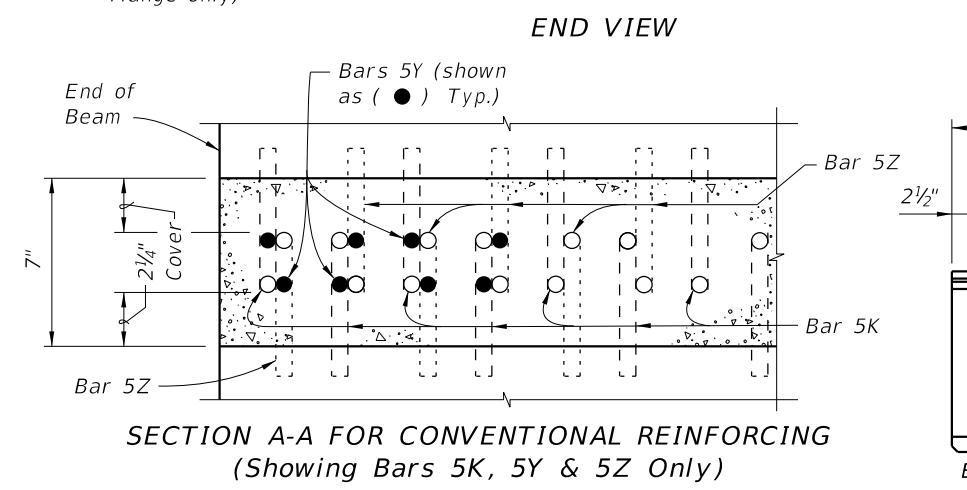
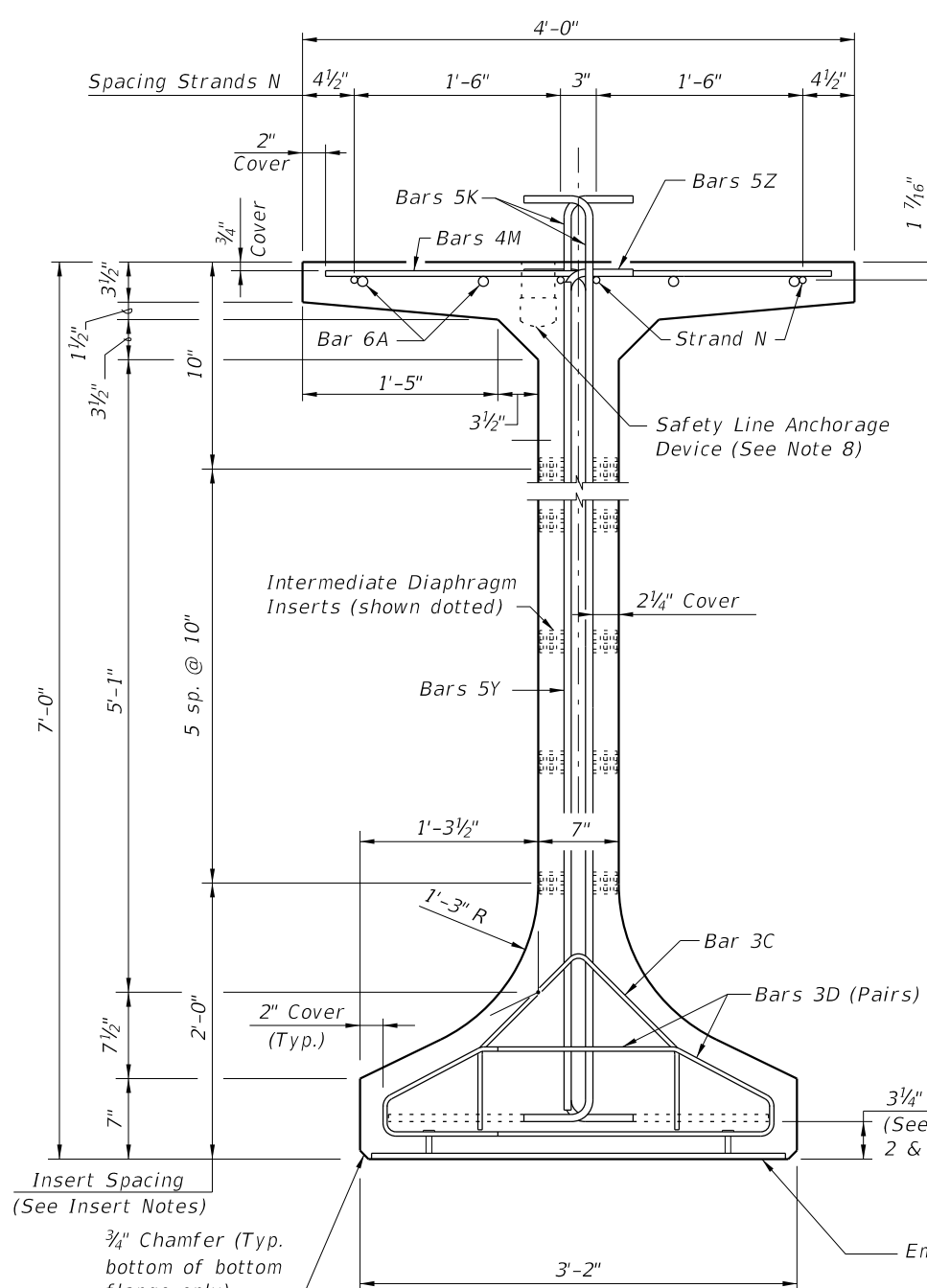


PARTIAL BEAM END VIEW (Conventional Reinforcing Bars A, C, Y and Strands N not shown for clarity)

- NOTES:**
- See Sheet 1 for placement details & Table of Beam Variables in Structures Plans for variables S1, S2, S3, S4 & V1.
 - Place Conventional Reinforcing Bars 6A & 3C as shown on Sheet 1. Place additional Bars 5Y as shown in Section A-A for Welded Wire Reinforcement. Bars 5Z will not be used with the WWR Option.
 - Pieces may be fabricated in multiple length sections.
 - For beams with skewed end conditions, Pieces D-1, D-2 & M-1 shall not be used; Conventional Reinforcing Bars D1, D2, C1, C2, M1 & M2 shall be used. See Index No. 20010 Skew Details and Note 9 for placement details. Shift Pieces K & Bars 5Y to accommodate skewed end conditions and align with Bars C and D.
- LEGEND:**
 EF = Each Face
 FF = Front Face
 BF = Back Face

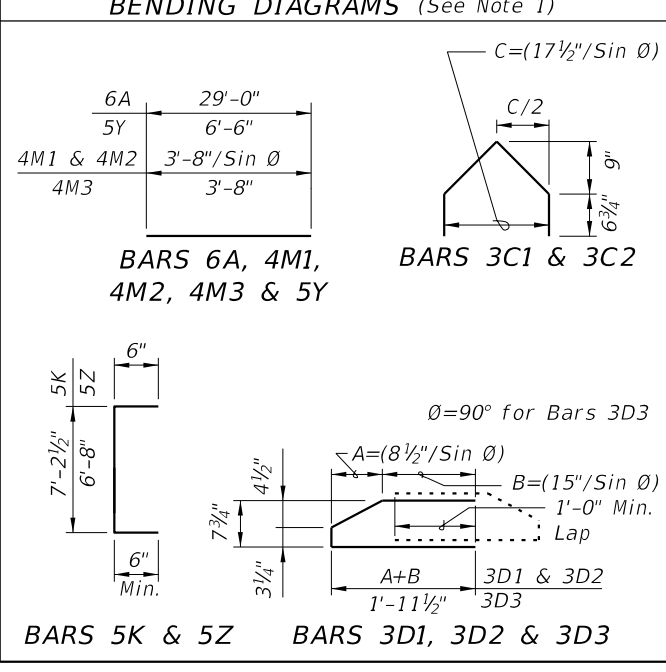
12/17/2015 1:20:55 PM

| | | | | | | |
|---------------------------|----------|--------------|------------------------------------|--------------------------------------|--------------------|---------------------|
| LAST REVISION 07/01/10 | REVISION | DESCRIPTION: | FY 2016-17 DESIGN STANDARDS | FLORIDA-I 78 BEAM - STANDARD DETAILS | INDEX NO. 20078 | SHEET NO. 2 of 2 |
|---------------------------|----------|--------------|------------------------------------|--------------------------------------|--------------------|---------------------|



CONVENTIONAL REINFORCING BAR BENDING DETAILS

| BILL OF REINFORCING STEEL | | | | |
|---------------------------|----------------|---------------|-----------------|-----------------|
| MARK | NOTE NUMBERS | SIZE | NUMBER REQUIRED | LENGTH (NOTE 1) |
| A | — | 6 | 8 | 29'-0" |
| C1 | 9, 10 & 11 | 3 | 21 (End 1) | Varies |
| C2 | 9, 10 & 11 | 3 | 21 (End 2) | Varies |
| D1 | 9, 10, 11 & 14 | 3 | 42 (End 1) | Varies |
| D2 | 9, 10, 11 & 14 | 3 | 42 (End 2) | Varies |
| D3 | 9 & 14 | 3 | See Table | 4'-3" |
| K | 2, 9, 11 & 13 | 5 | See Table | 8'-2" |
| M1 | 9 & 10 | 4 | 19 (End 1) | Varies |
| M2 | 9 & 10 | 4 | 19 (End 2) | Varies |
| M3 | 9 | 4 | See Table | 3'-8" |
| N | 3 & 4 | 1/2" Ø Strand | 4 | Dim. L |
| Y | 9 & 11 | 5 | 16 | 6'-6" |
| Z | 2, 9, 11 & 13 | 5 | 12 | 7'-8" |

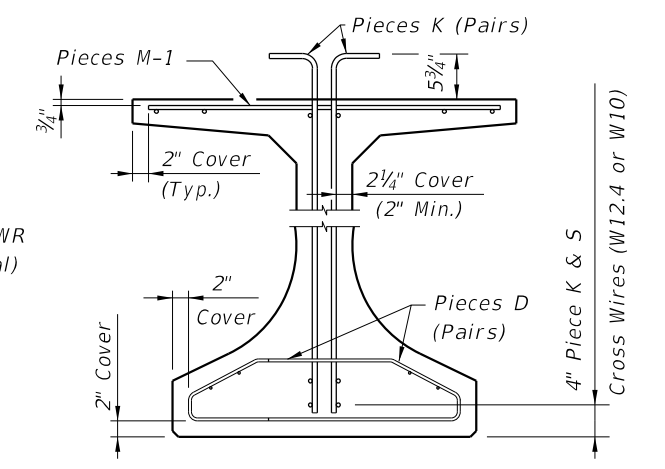
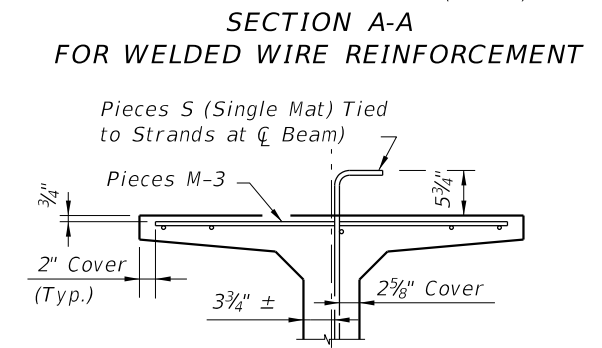
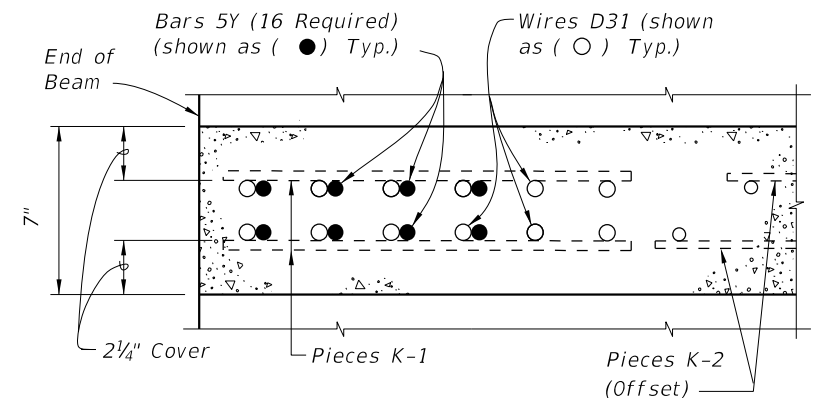
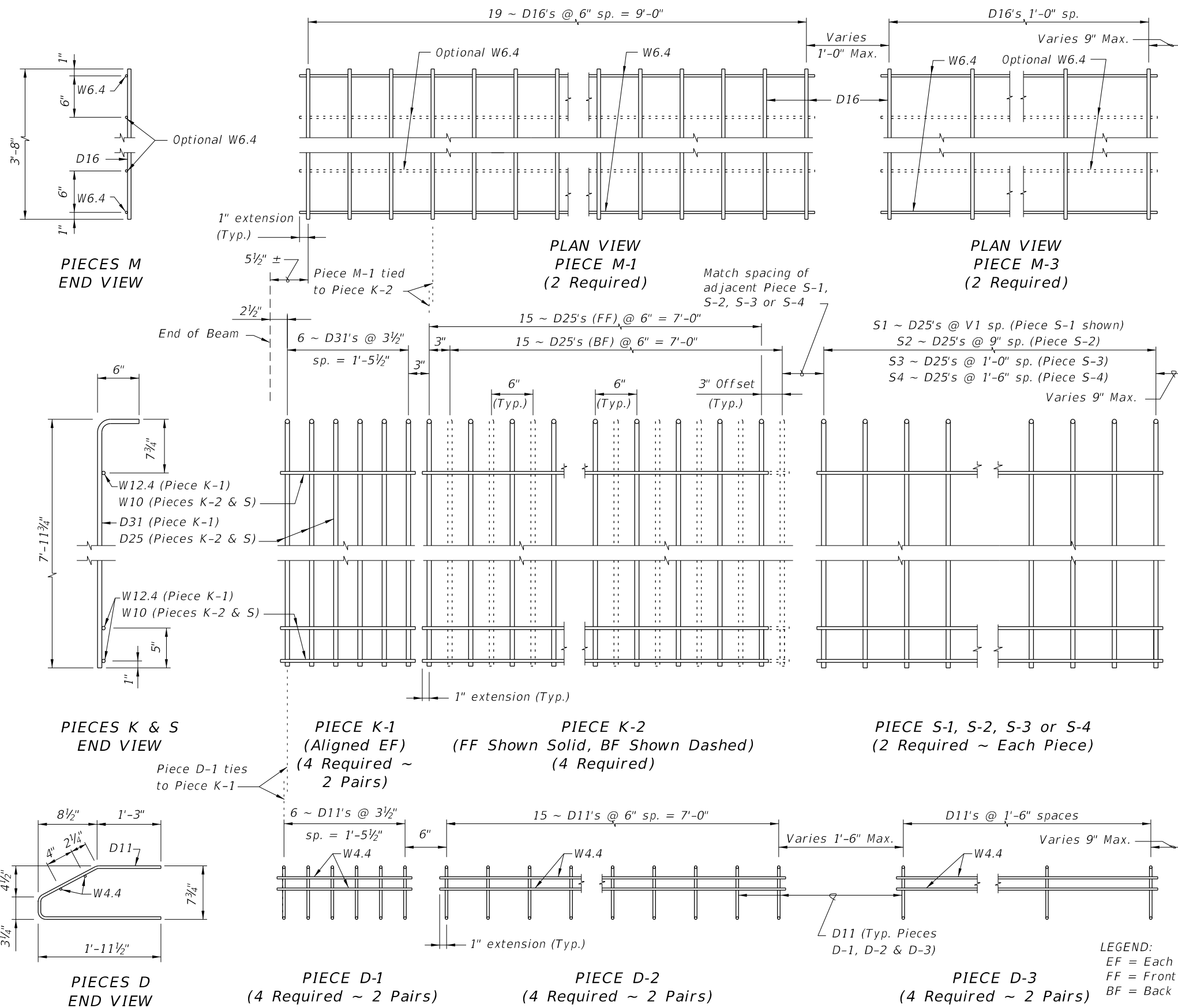


NOTES:
 A. Work this Index with Index No. 20010 - Typical Florida-I Beam Details and Notes and the Florida-I Beam - Table of Beam Variables in Structures Plans.
 B. For referenced notes, see Index No. 20010.
 C. For Dimensions A, B, C, D, L, R & V1 and number of spaces S1 thru S4, see Florida-I Beam - Table of Beam Variables in Structures Plans.

12/17/2015 1:21:10 PM

| LAST REVISION | DESCRIPTION: |
|---------------|--------------|
| 07/01/12 | |

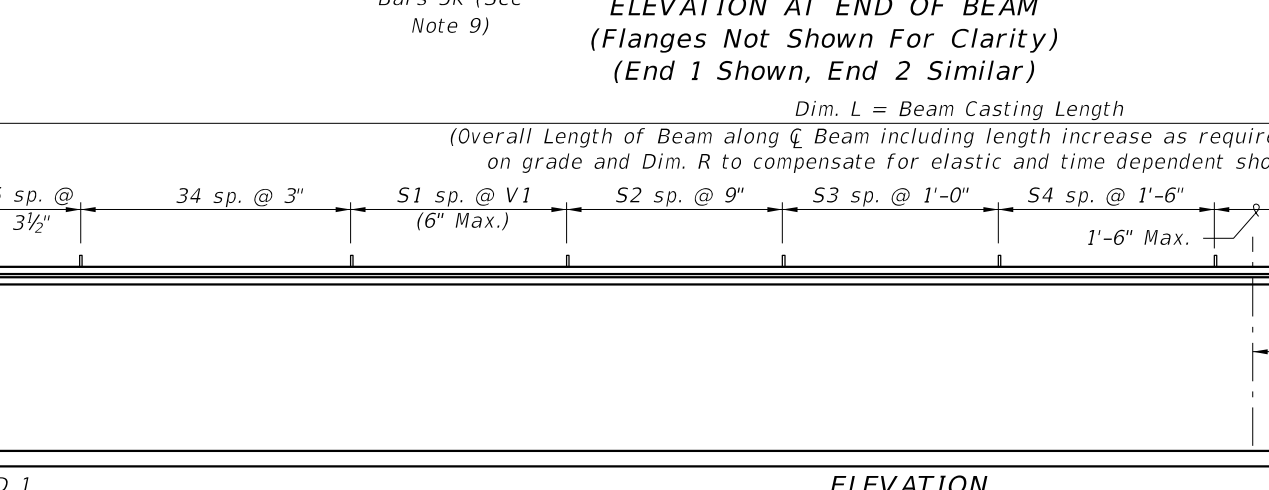
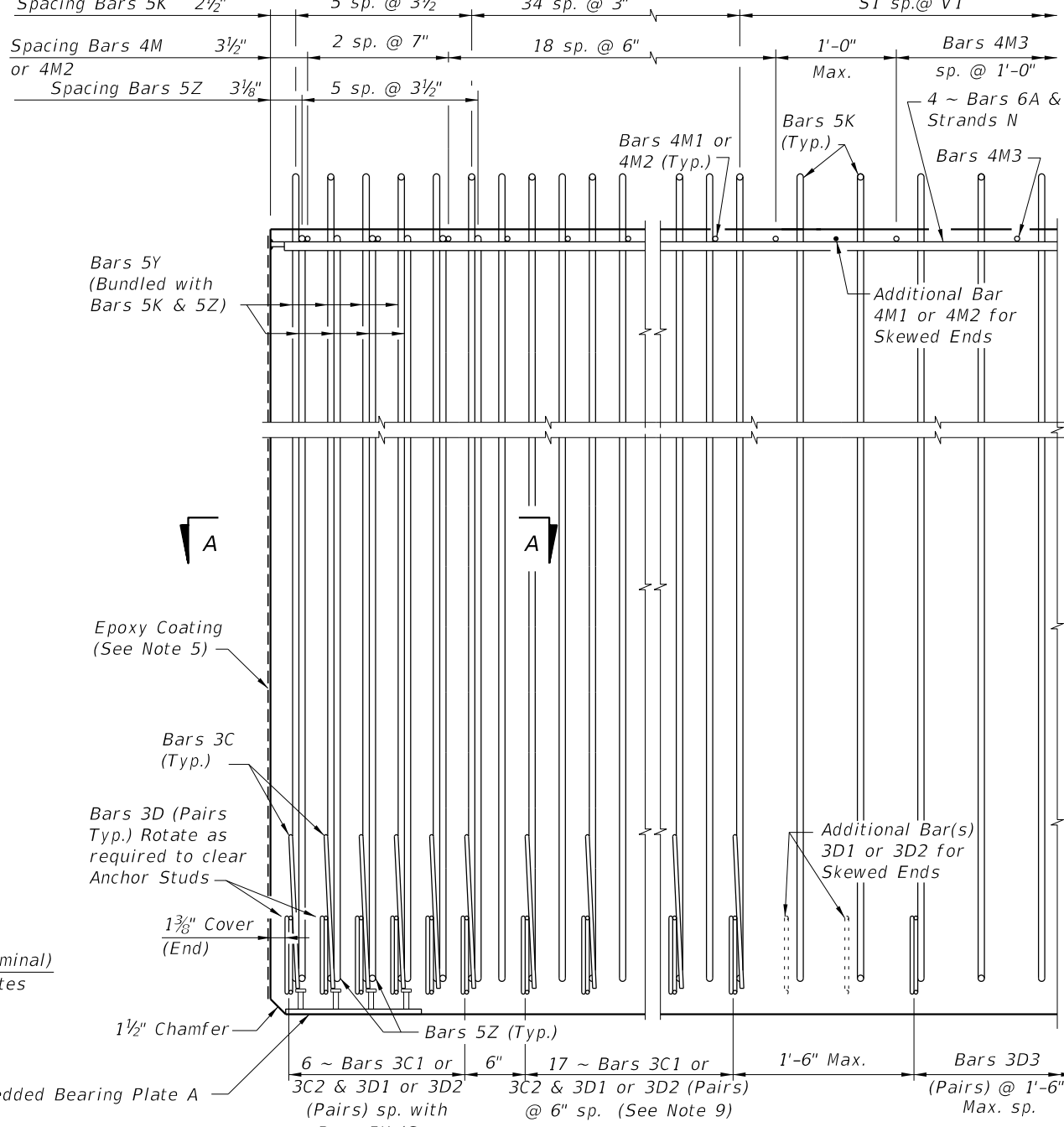
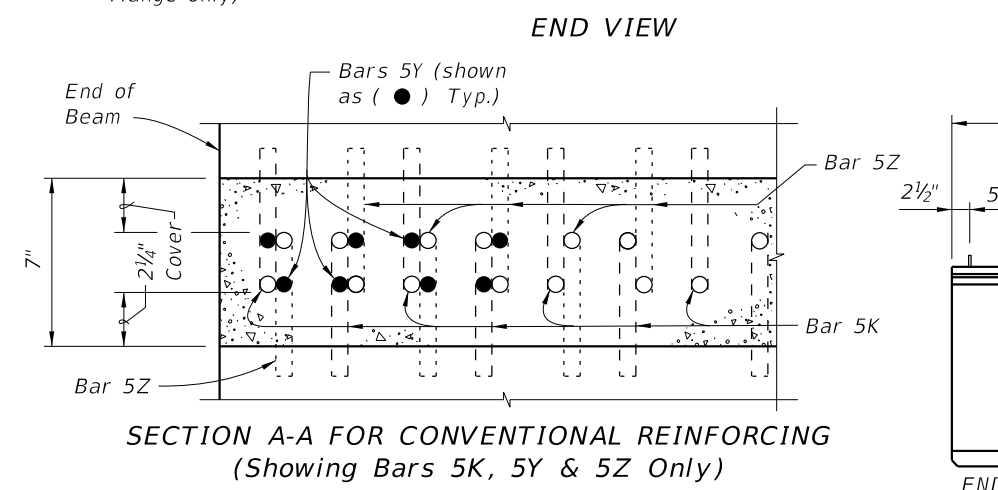
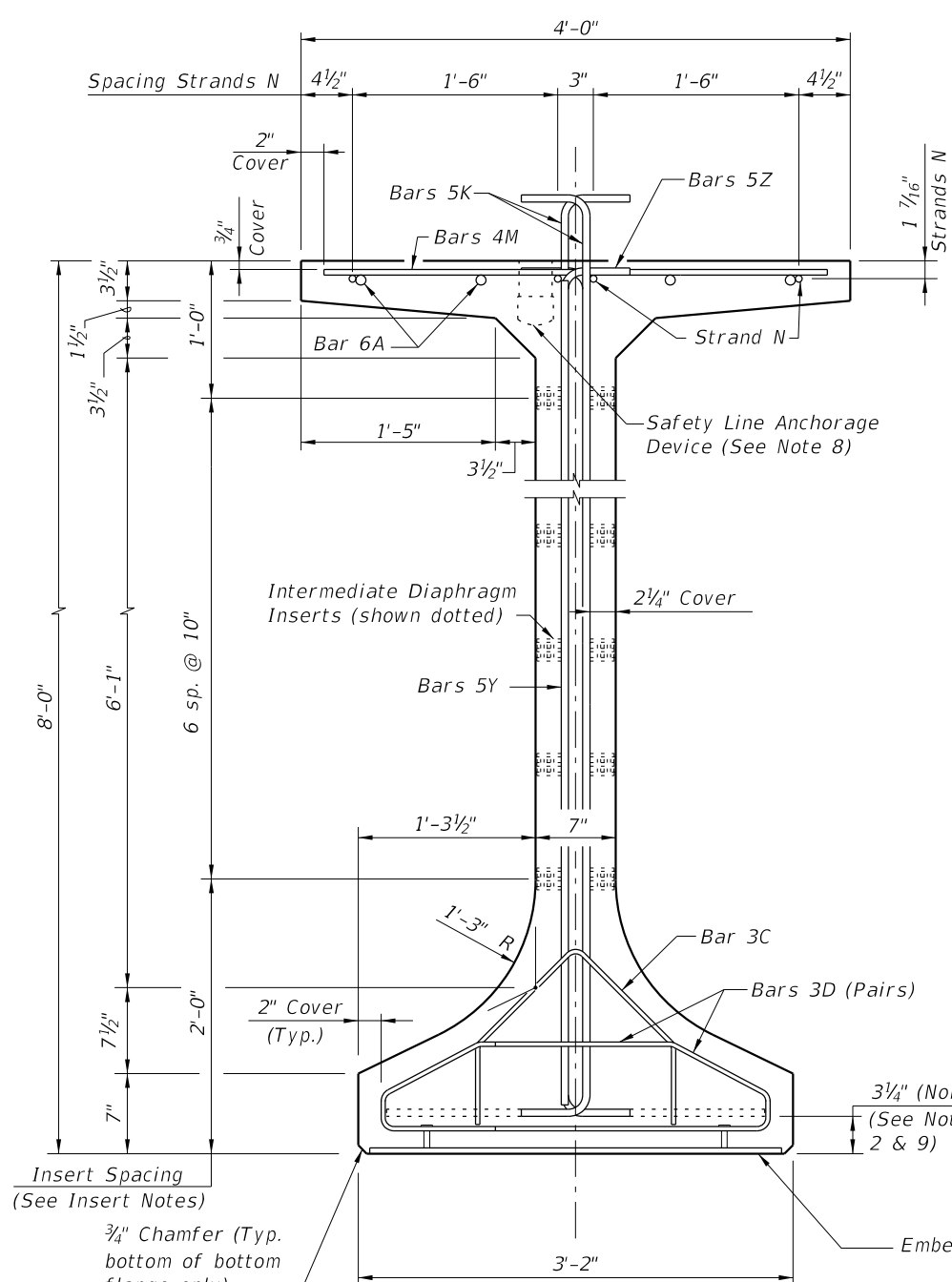
ALTERNATE REINFORCING STEEL (WELDED WIRE REINFORCEMENT) DETAILS



- NOTES:**
- a. See Sheet 1 for placement details & Table of Beam Variables in Structures Plans for variables S1, S2, S3, S4 & V1.
 - b. Place Conventional Reinforcing Bars 6A & 3C as shown on Sheet 1. Place additional Bars 5Y as shown in Section A-A for Welded Wire Reinforcement. Bars 5Z will not be used with the WWR Option.
 - c. Pieces may be fabricated in multiple length sections.
 - d. For beams with skewed end conditions, Pieces D-1, D-2 & M-1 shall not be used; Conventional Reinforcing Bars D1, D2, C1, C2, M1 & M2 shall be used. See Index No. 20010 Skew Details and Note 9 for placement details. Shift Pieces K & Bars 5Y to accommodate skewed end conditions and align with Bars C and D.
- LEGEND:**
 EF = Each Face
 FF = Front Face
 BF = Back Face

12/17/2015 1:21:11 PM

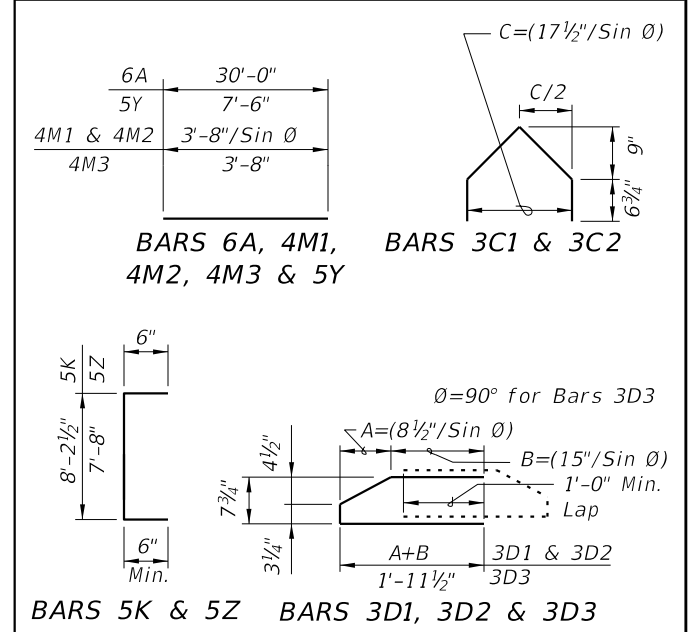
| | | | | | | |
|---------------------------|----------|--------------|------------------------------------|--------------------------------------|--------------------|---------------------|
| LAST REVISION 07/01/10 | REVISION | DESCRIPTION: | FY 2016-17 DESIGN STANDARDS | FLORIDA-I 84 BEAM - STANDARD DETAILS | INDEX NO. 20084 | SHEET NO. 2 of 2 |
|---------------------------|----------|--------------|------------------------------------|--------------------------------------|--------------------|---------------------|



CONVENTIONAL REINFORCING BAR BENDING DETAILS

| BILL OF REINFORCING STEEL | | | | |
|---------------------------|----------------|---------------|-----------------|-----------------|
| MARK | NOTE NUMBERS | SIZE | NUMBER REQUIRED | LENGTH (NOTE 1) |
| A | — | 6 | 8 | 30'-0" |
| C1 | 9, 10 & 11 | 3 | 23 (End 1) | Varies |
| C2 | 9, 10 & 11 | 3 | 23 (End 2) | Varies |
| D1 | 9, 10, 11 & 14 | 3 | 46 (End 1) | Varies |
| D2 | 9, 10, 11 & 14 | 3 | 46 (End 2) | Varies |
| D3 | 9 & 14 | 3 | See Table | 4'-3" |
| K | 2, 9, 11 & 13 | 5 | See Table | 9'-2" |
| M1 | 9 & 10 | 4 | 21 (End 1) | Varies |
| M2 | 9 & 10 | 4 | 21 (End 2) | Varies |
| M3 | 9 | 4 | See Table | 3'-8" |
| N | 3 & 4 | 1/2" Ø Strand | 4 | Dim. L |
| Y | 9 & 11 | 5 | 16 | 7'-6" |
| Z | 2, 9, 11 & 13 | 5 | 12 | 8'-8" |

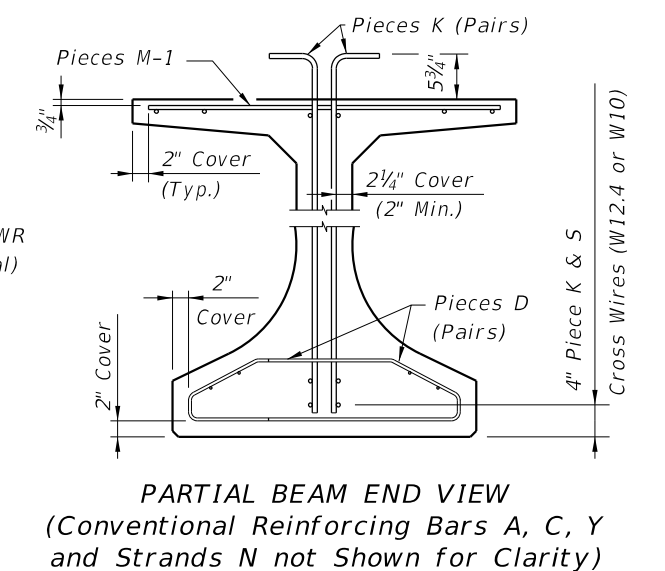
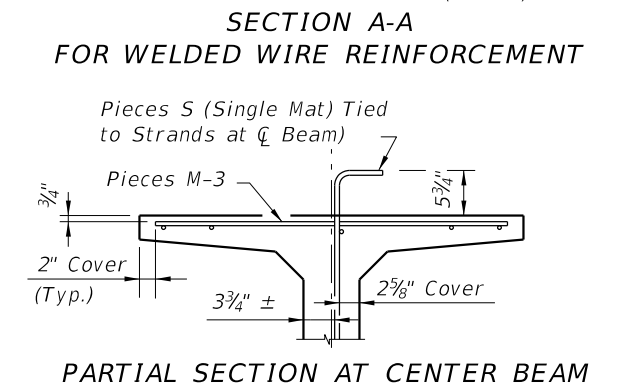
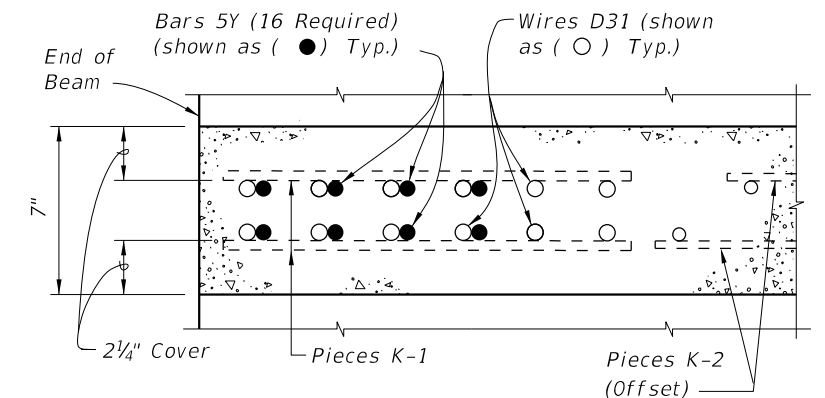
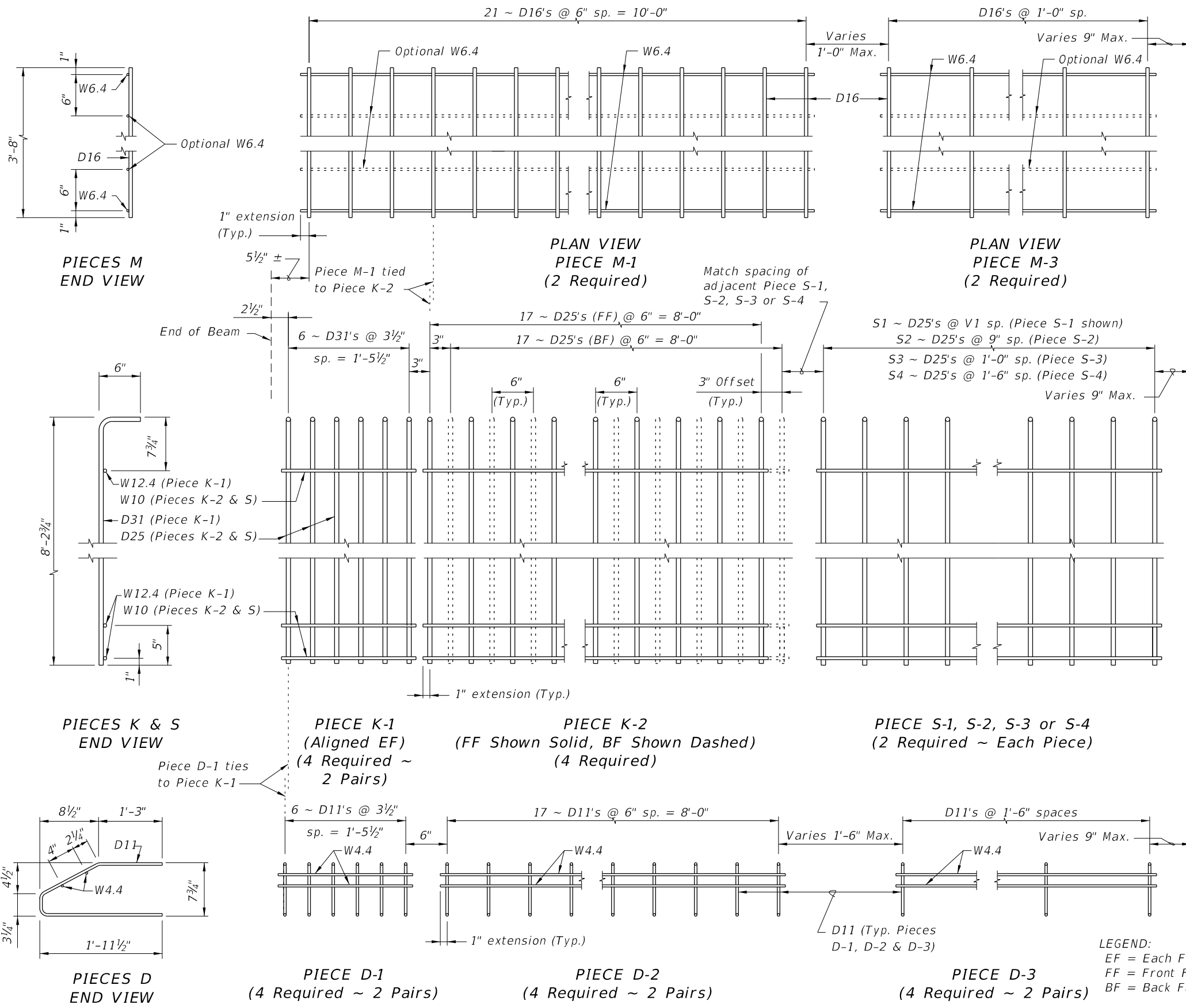
BENDING DIAGRAMS (See Note 1)



- NOTES:**
- A. Work this Index with Index No. 20010 - Typical Florida-I Beam Details and Notes and the Florida-I Beam - Table of Beam Variables in Structures Plans.
 - B. For referenced notes, see Index No. 20010.
 - C. For Dimensions A, B, C, D, L, R & V1 and number of spaces S1 thru S4, see Florida-I Beam - Table of Beam Variables in Structures Plans.

12/17/2015 1:21:29 PM

ALTERNATE REINFORCING STEEL (WELDED WIRE REINFORCEMENT) DETAILS



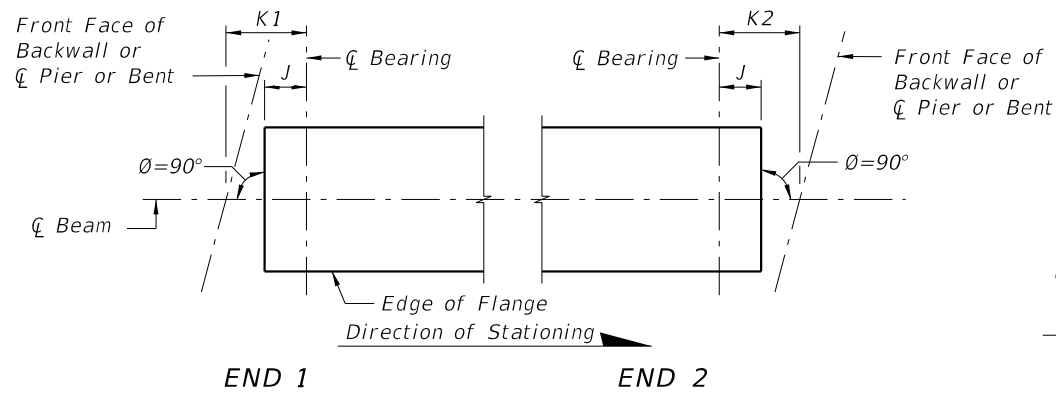
NOTES:

- See Sheet 1 for placement details & Table of Beam Variables in Structures Plans for variables S1, S2, S3, S4 & V1.
- Place Conventional Reinforcing Bars 6A & 3C as shown on Sheet 1. Place additional Bars 5Y as shown in Section A-A for Welded Wire Reinforcement. Bars 5Z will not be used with the WWR Option.
- Pieces may be fabricated in multiple length sections.
- For beams with skewed end conditions, Pieces D-1, D-2 & M-1 shall not be used; Conventional Reinforcing Bars D1, D2, C1, C2, M1 & M2 shall be used. See Index No. 20010 Skew Details and Note 9 for placement details. Shift Pieces K & Bars 5Y to accommodate skewed end conditions and align with Bars C and D.

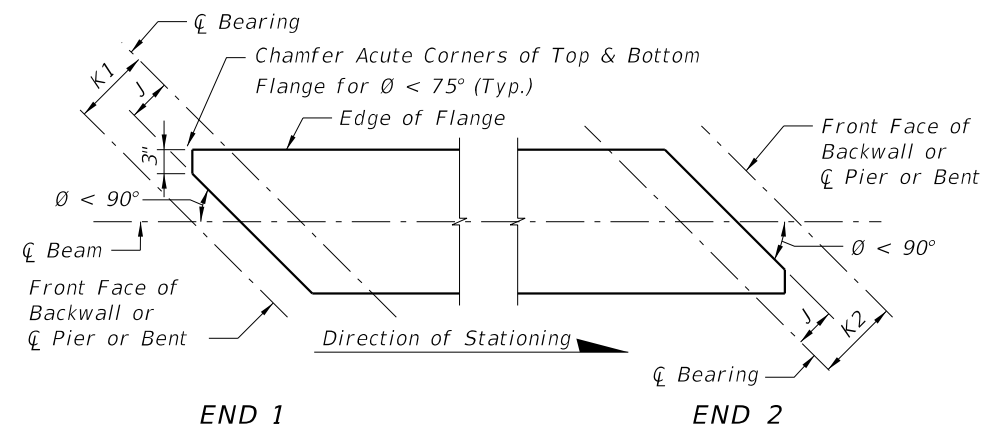
LEGEND:
 EF = Each Face
 FF = Front Face
 BF = Back Face

12/17/2015 1:21:30 PM

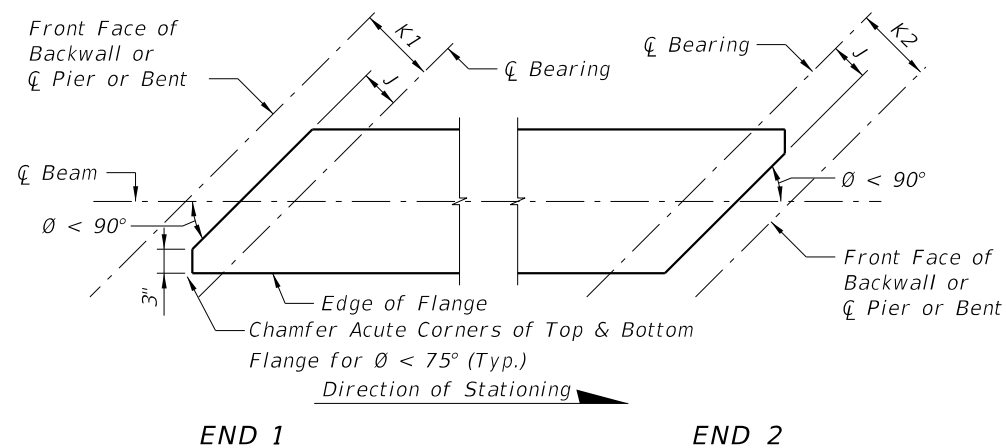
| | | | | | | |
|---------------------------|----------|--------------|------------------------------------|--------------------------------------|--------------------|---------------------|
| LAST REVISION 07/01/10 | REVISION | DESCRIPTION: | FY 2016-17 DESIGN STANDARDS | FLORIDA-I 96 BEAM - STANDARD DETAILS | INDEX NO. 20096 | SHEET NO. 2 of 2 |
|---------------------------|----------|--------------|------------------------------------|--------------------------------------|--------------------|---------------------|



CASE 1
(Standard Orientation for New Construction)

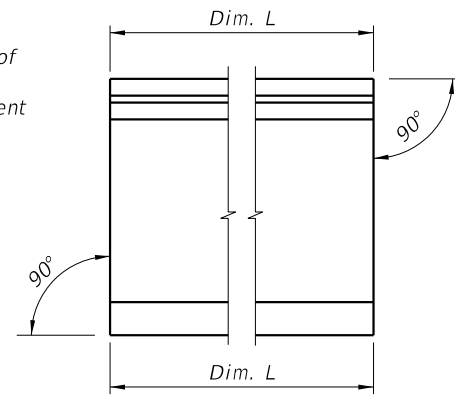


CASE 2
(Special Orientation for Widening)

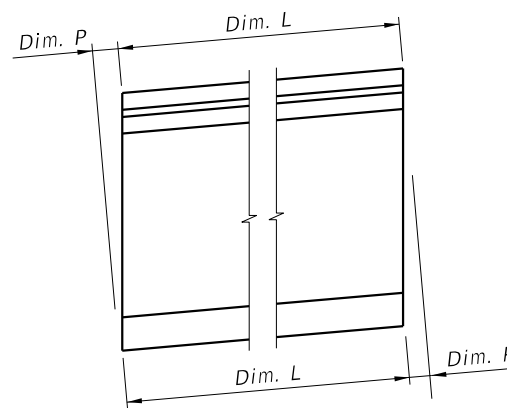


CASE 3
(Special Orientation for Widening)

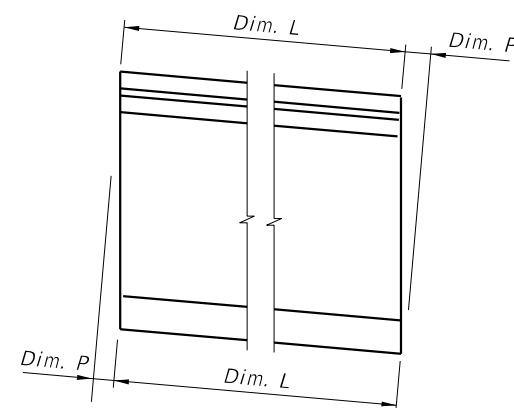
SCHEMATIC PLAN VIEWS AT BEAM ENDS



CONDITION 1
(Dim P = 0.0)



CONDITION 2



CONDITION 3

SCHEMATIC END ELEVATIONS OF BEAMS
(Showing Vertical Bevel of Beam End)

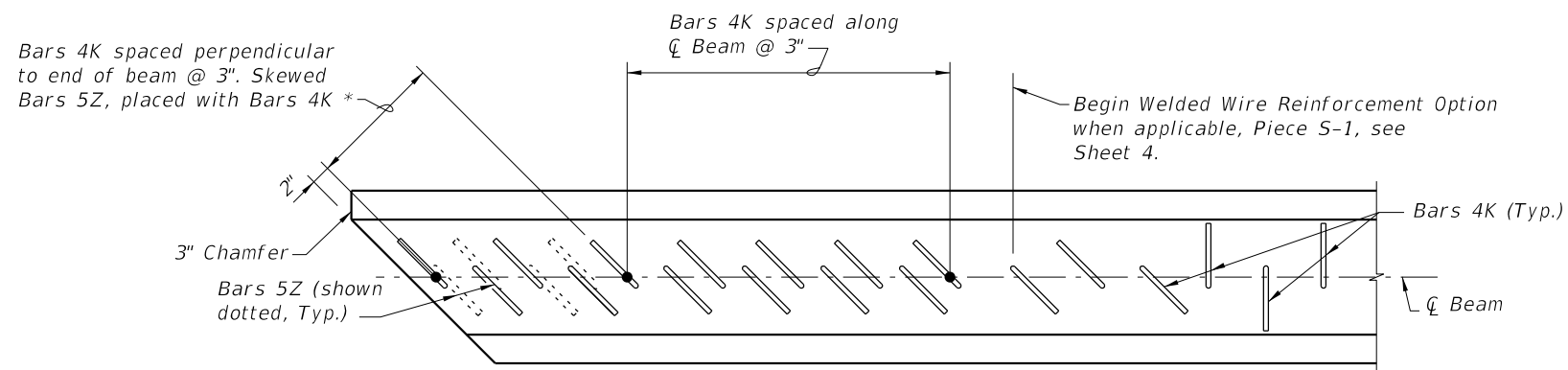
BEAM NOTES

- All bar dimensions are out-to-out.
- Place one (1) Bar 4K, or 5Z at each location as detailed alternating the direction of the ends for each bar (see "ELEVATION AT END OF BEAM", Sheet 3).
- Strands N shall be ASTM A416, Grade 270, seven-wire strands $\frac{3}{8}$ " ϕ or larger, stressed to 10,000 lbs. each.
- For beams with ends not to be encased in permanent concrete diaphragms, after detensioning cut wedge to recess Prestressing Strands at the end of the beam without damaging the surrounding concrete. See "STRAND CUTTING AND PROTECTING DETAIL" on Sheet 2.
- For beams with ends not to be encased in permanent concrete diaphragms, protect end of recessed strands in accordance with Specification Section 450.
- Unless otherwise noted, the minimum concrete cover for reinforcing steel shall be 2".
- At the Contractor's option, welded deformed wire reinforcement may be used in lieu of Bars 3D, 4K, and 5Z as shown on Sheet 4. Welded deformed wire reinforcement shall meet requirements of Specification Section 931.
- Safety Line Anchorage Devices or sleeves are required and permitted in the top flange only to accommodate fall protection systems used during construction. See shop drawings for details and spacing of any required embedments.
- For beams with skewed end conditions, the end reinforcement, defined as Bars 3D1, 3D2, 4K, 4Y and 5Z placed within the limits of Bars 3D in "ELEVATION AT END OF BEAM", shall be placed parallel to the skewed end of the beam. Bars 3D and 4K, located beyond the limits of Bars 3D shall be placed perpendicular to the longitudinal axis of the beam. For placement locations, see "SKEWED BEAM END DETAILS". Adjust the dimensions of Bars 3D1 and 3D2, as shown on the "BENDING DIAGRAM" for skewed end conditions.
- Placement of Bars 3D1 correspond to END 1, and Bars 3D2, correspond to END 2. END 1 and END 2 are shown on the beam "ELEVATION".
- For Beams with vertically beveled end conditions, place first row of Bars 3D1, 3D2, 4K, 4Y and 5Z parallel to the end of the beam. Progressively rotate remaining bars within the limits of Bars 5Z until vertical by adjusting the spacing at the top of beam up to a maximum of 1". For welded deformed wire reinforcement, cut top cross wire and rotate bars as required or reduce end cover at top of the beam to minimum 1".
- For beams with skewed end conditions, welded deformed wire reinforcement shall not be used for end confinement reinforcement (Bars 3D1 and 3D2).
- Bars 4K and 5Z shall be placed and tied to the fully bonded strands in the bottom or center row (see "STRAND PATTERN" on the Table of Beam Variables in Structures Plans). For welded deformed wire reinforcement, supplemental transverse bars are permitted to support Pieces K & S under the cross wires on the bottom row of strands or Strands N.
- At the Contractor's option, Bars 3D1, 3D2 and 3D3 may be fabricated as a two-piece bar with a 1'-0" minimum lap splice of the bottom legs.
- For referenced Dimensions, Angles and Case Numbers, see the Table of Beam Variables in Structures Plans.

12/17/2015 1:21:50 PM

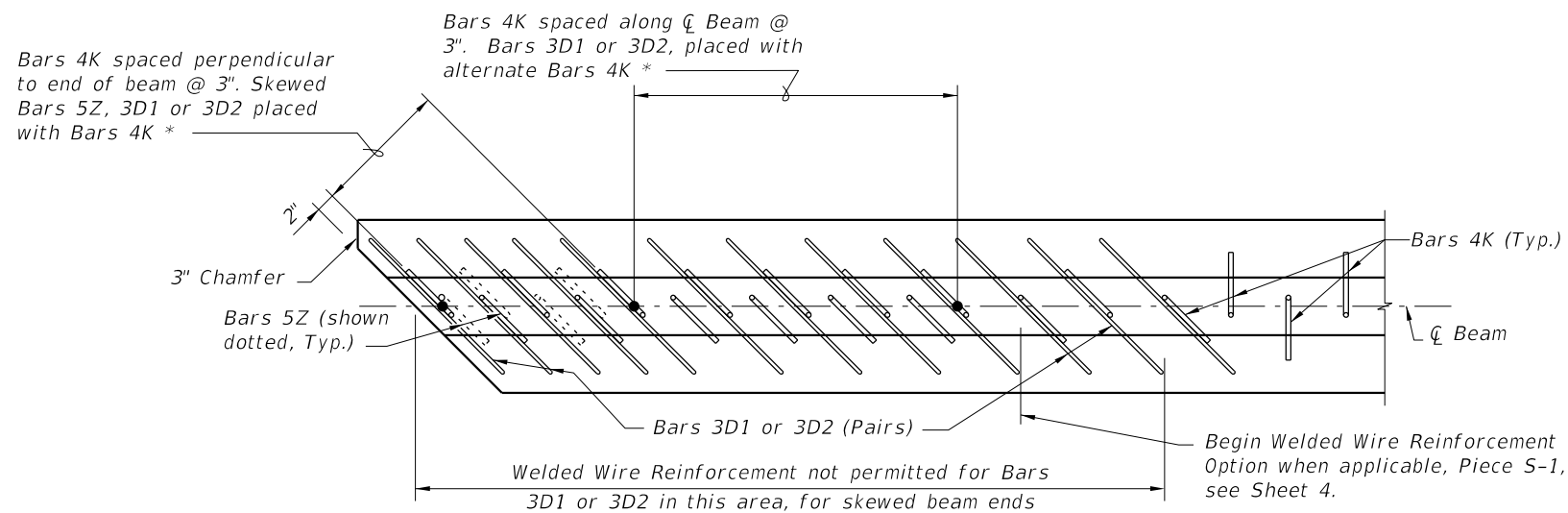
DETAILS AND NOTES

| | | |
|---------------------------|----------|--------------|
| LAST REVISION 07/01/14 | REVISION | DESCRIPTION: |
|---------------------------|----------|--------------|



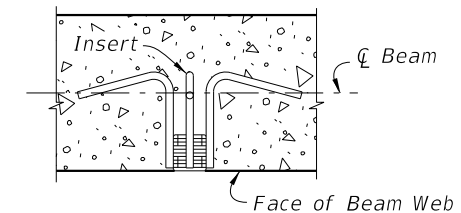
PARTIAL PLAN VIEW (SHOWING TOP FLANGE)
 (End 1 Shown, End 2 Similar)
 (Bars 5A, 4Y & Strands N not shown for clarity)

* For number of Bars, spacing and placement details see Sheet 3. See Sheet 3 for Conventional Reinforcement, Sheet 4 for Welded Wire Reinforcement.



PARTIAL SECTION THRU WEB (SHOWING BOTTOM FLANGE)
 (End 1 Shown, End 2 Similar)
 (Bars 4Y & Strands not shown for clarity)

===== **SKEWED BEAM END DETAILS FOR WIDENING EXISTING BRIDGES** =====

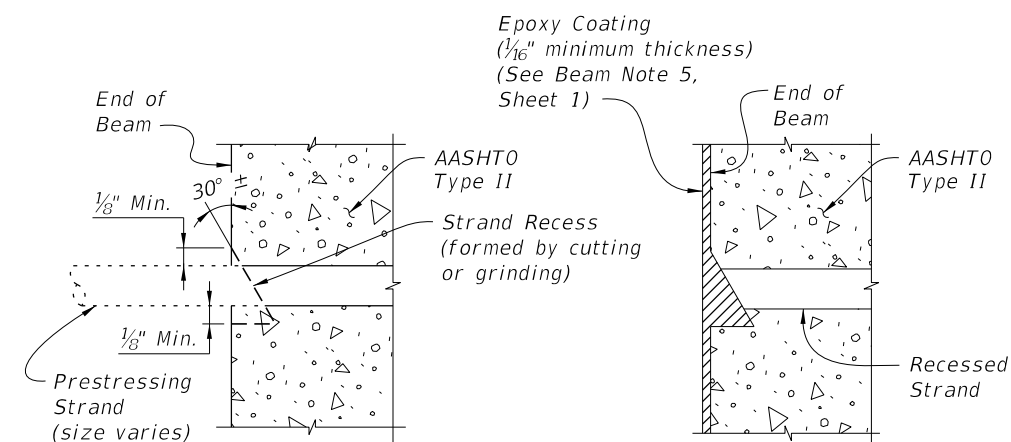


PLAN SECTION THRU BEAM WEB AT INSERT FOR DIAPHRAGM REINFORCING
 (When Intermediate Diaphragms are Required by Design)

INSERT NOTES

1. Provide 1" \varnothing , zinc-electroplated, ferrule wing nut or coil inserts, UNC threads, 1/0 minimum gage wire, not more than 4" in depth with a minimum ultimate tensile strength of 11,400 lbs. in 4,000 psi concrete.
2. If inserts are needed on both sides (faces) of beam webs, an assembly as long as the thickness of the beam web, consisting of two (2) ferrule or coil inserts attached by two (2) or more struts may be utilized. The connecting struts shall have a minimum ultimate tensile strength of 11,400 lbs.
3. Inserts for diaphragm reinforcing are required at each end of each intermediate diaphragm shown on the Beam Framing Plan and may be required at the end of the beams when end diaphragms are shown. See Superstructure and Beam Framing Plans for longitudinal location of inserts for each face of beam.

===== **INSERT DETAIL** =====



TYPICAL SECTION SHOWING CUT STRAND RECESS LIMITS

TYPICAL SECTION AFTER PROTECTING

===== **STRAND CUTTING AND PROTECTING DETAIL** =====

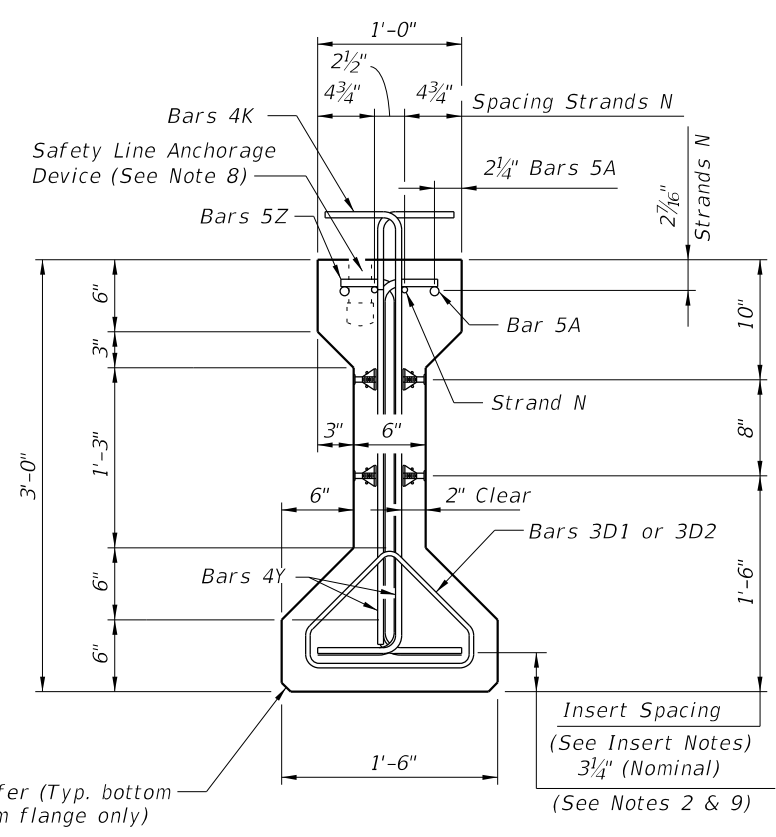
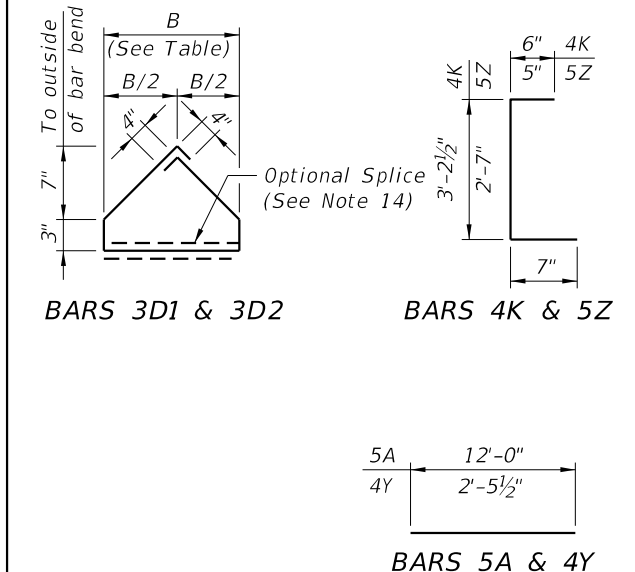
12/17/2015 1:21:51 PM

| | |
|---------------|--------------|
| LAST REVISION | DESCRIPTION: |
| 07/01/14 | |

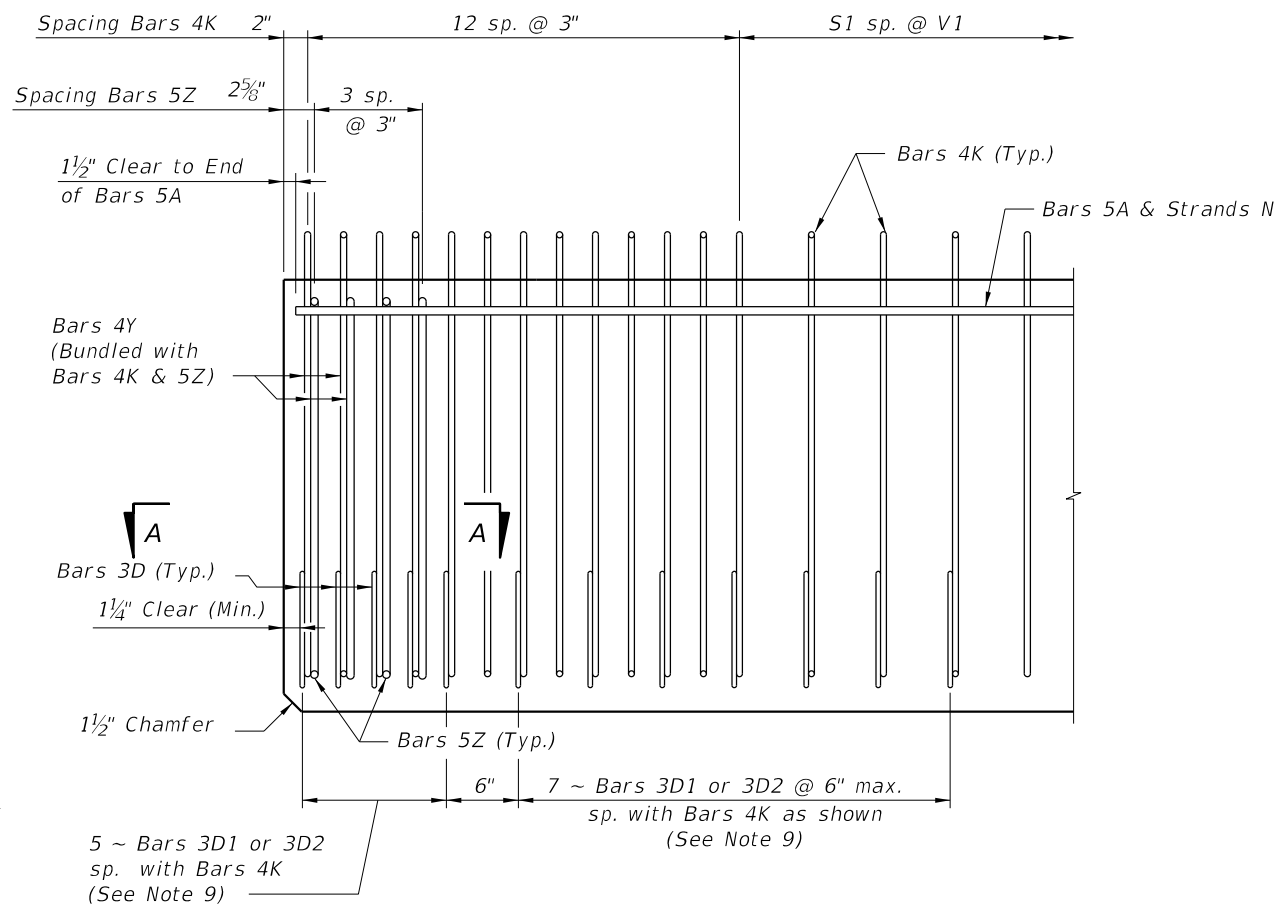
BILL OF REINFORCING STEEL FOR ONE BEAM ONLY

| MARK | NOTE NUMBERS | SIZE | NUMBER REQUIRED | LENGTH (NOTE 1) |
|------|---------------|------------------------------------|-----------------|-----------------|
| A | — | 5 | 4 | 12'-0" |
| D1 | 9, 11 & 14 | 3 | 12 | See Table |
| D2 | 9, 11 & 14 | 3 | 12 | See Table |
| K | 2, 9, 11 & 13 | 4 | See Table | 4'-4" |
| N | 3 & 5 | $\frac{3}{8}$ " \emptyset Strand | 2 | DIM L+5" |
| Y | 9 & 11 | 4 | 8 | 2'-6" |
| Z | 2, 9, 11 & 13 | 5 | 8 | 3'-7" |

BENDING DIAGRAMS (See Note 1)

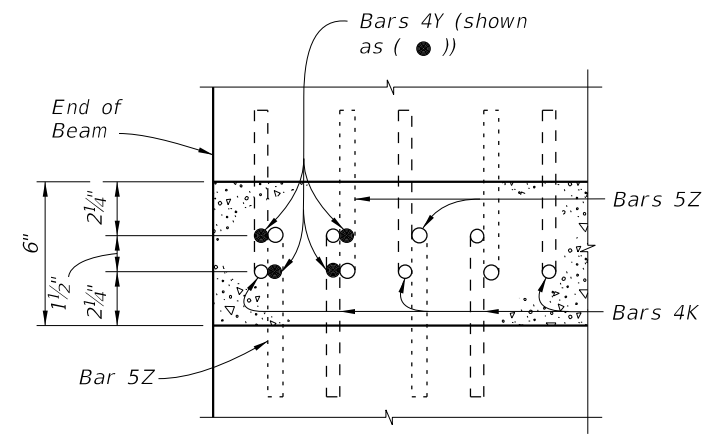


END VIEW

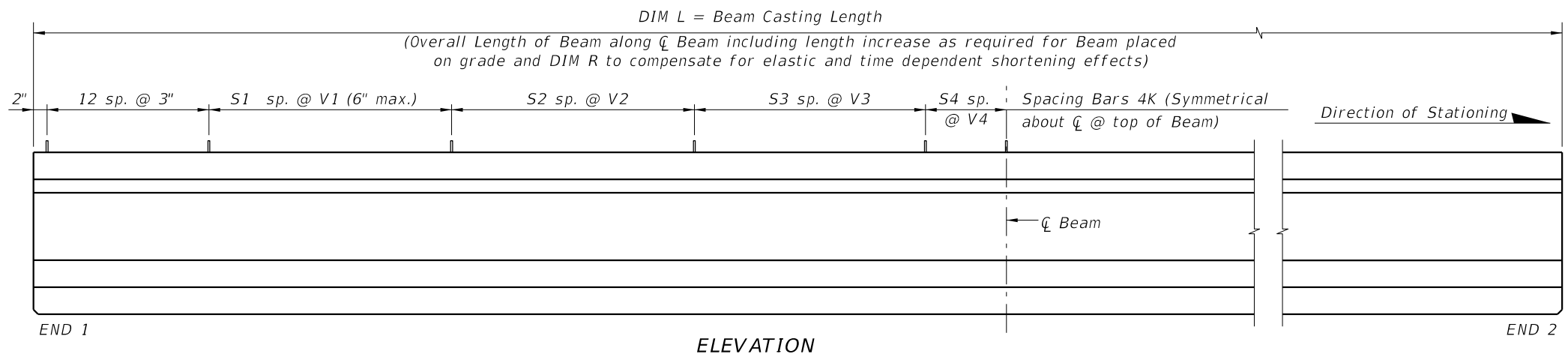


ELEVATION AT END OF BEAM (Flanges Not Shown For Clarity)

NOTES:
 Work this Index with the AASHTO Type II Beam - Table of Beam Variables in Structures Plans.
 For referenced notes, see Sheet 1.
 For Dimensions L, R, V1 thru V4 and number of spaces S1 thru S4, see AASHTO Type II Beam - Table of Beam Variables.



SECTION A-A (Showing Bars 4K, 4Y & 5Z Only)



ELEVATION

12/17/2015 1:21:52 PM

| | |
|---------------------------|--------------|
| LAST REVISION 07/01/13 | DESCRIPTION: |
|---------------------------|--------------|

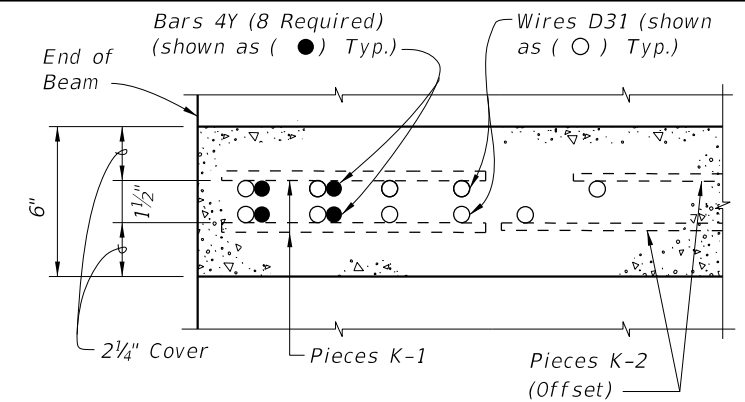
FDOT FY 2016-17 DESIGN STANDARDS

AASHTO TYPE II BEAM

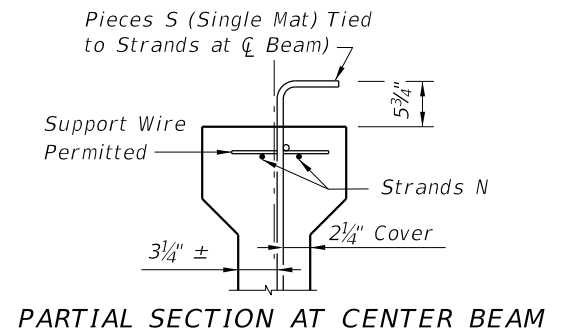
STANDARD DETAILS

| | |
|--------------------|---------------------|
| INDEX NO. 20120 | SHEET NO. 3 of 4 |
|--------------------|---------------------|

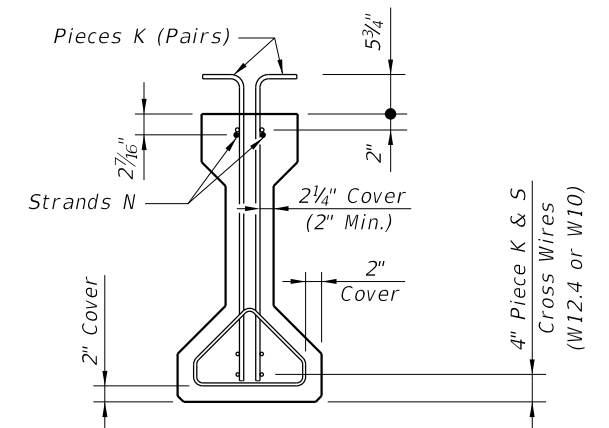
ALTERNATE REINFORCING STEEL (WELDED WIRE REINFORCEMENT) DETAILS



SECTION A-A
FOR WELDED WIRE REINFORCEMENT



PARTIAL SECTION AT CENTER BEAM



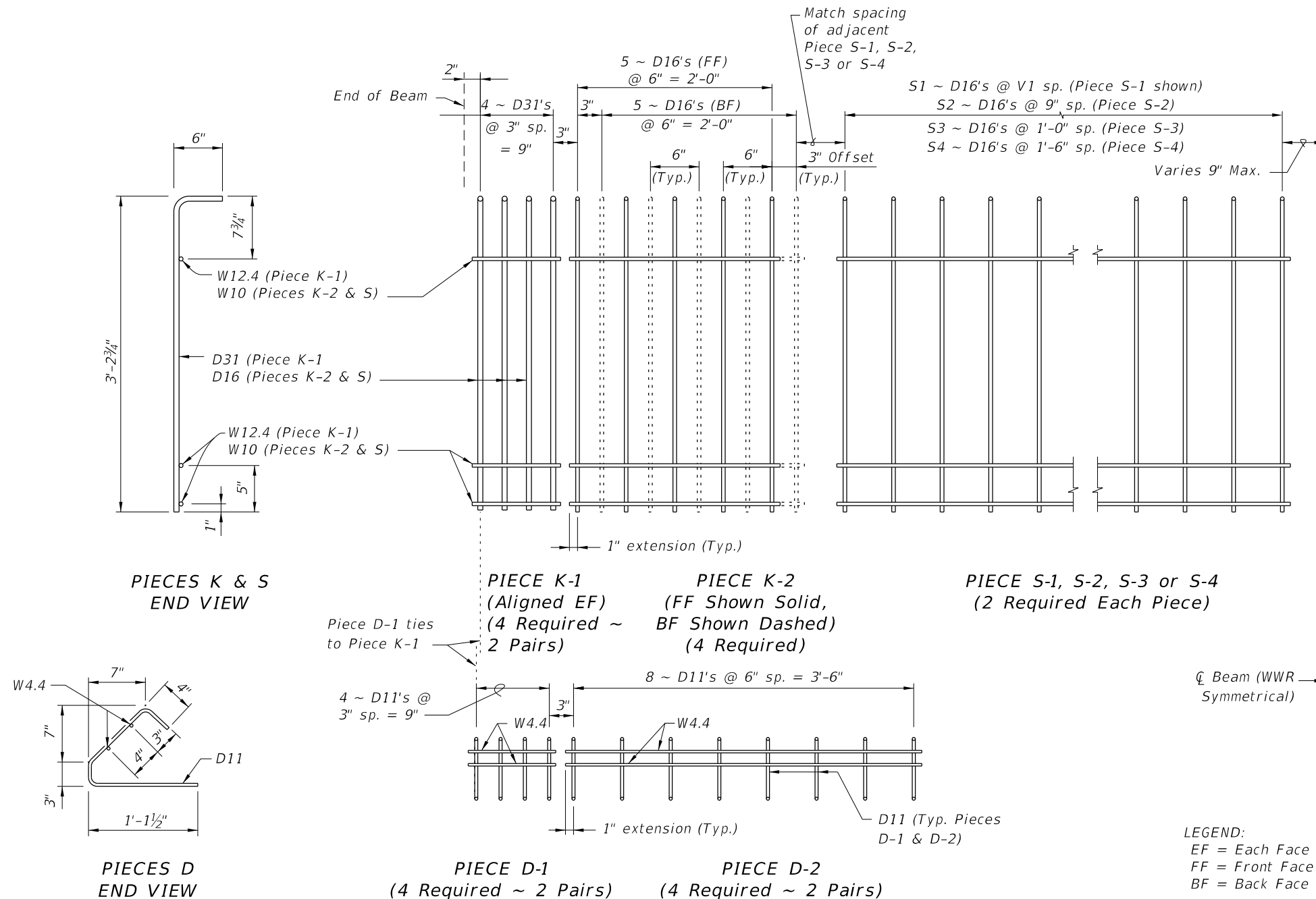
PARTIAL BEAM END VIEW
(Conventional Reinforcing Bars A, Y and Bottom Strands not shown for clarity)

NOTES:

- See Sheet 3 for placement details & Table of Beam Variables in Structures Plans for variables S1, S2, S3, S4 & V1.
- Place Conventional Reinforcement Bars 5A as shown on Sheet 3. Place additional Bars 4Y as shown in Section A-A for Welded Wire Reinforcement. Bars 5Z will not be used with the WWR Option.
- Pieces may be fabricated in multiple length sections.
- For beams with skewed end conditions, Pieces D-1 & D-2 shall not be used; Conventional Reinforcement Bars D1 & D2 shall be used. See Sheet 2 Skew Details and Sheet 1 Note 9 for placement details. Shift Pieces K & Bars 4Y to accommodate skewed end conditions and align with Bars D.

LEGEND:

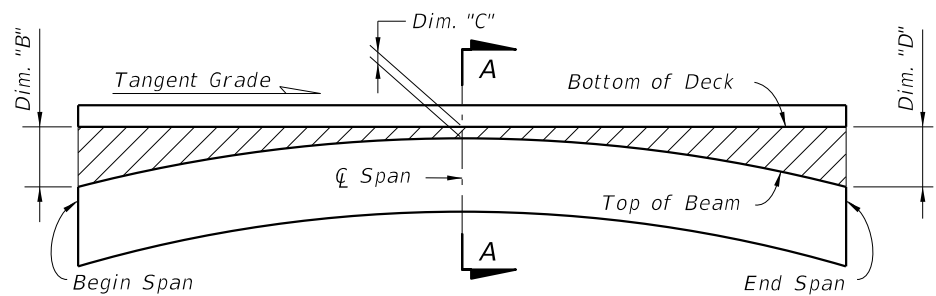
- EF = Each Face
- FF = Front Face
- BF = Back Face



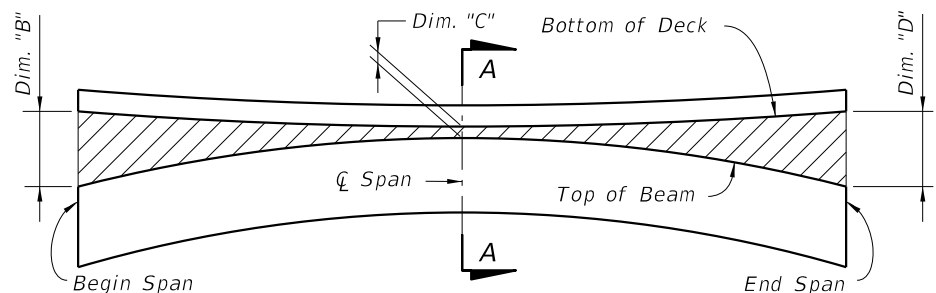
12/17/2015 1:21:53 PM

| | | | | | | |
|---------------------------|----------|--------------|------------------------------------|---------------------|--------------------|---------------------|
| LAST REVISION 07/01/13 | REVISION | DESCRIPTION: | FY 2016-17 DESIGN STANDARDS | AASHTO TYPE II BEAM | INDEX NO. 20120 | SHEET NO. 4 of 4 |
|---------------------------|----------|--------------|------------------------------------|---------------------|--------------------|---------------------|

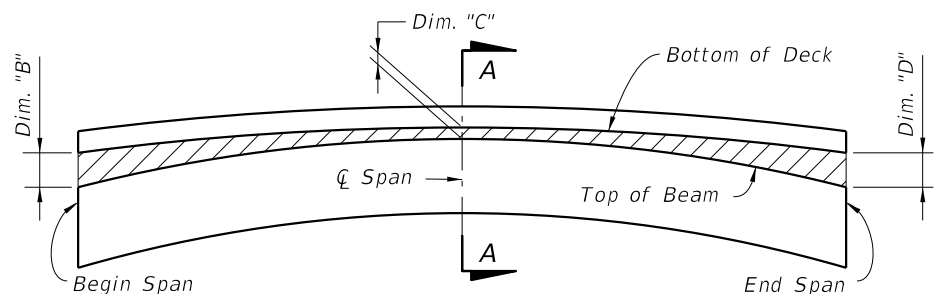
STANDARD DETAILS



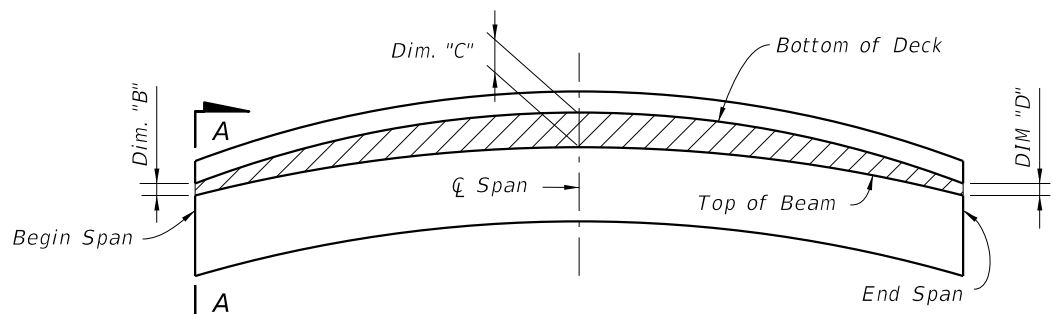
**BUILD-UP DIAGRAM FOR TANGENT SPANS
(ALONG \bar{C} BEAM) (CASE 1)**



**BUILD-UP DIAGRAM FOR SAG VERTICAL CURVE & HORIZONTAL CURVE SPANS
(ALONG \bar{C} BEAM) (CASE 2)**



**BUILD-UP DIAGRAM FOR CREST VERTICAL CURVE SPANS
- CONTROL AT \bar{C} SPAN
(ALONG \bar{C} BEAM) (CASE 3)**

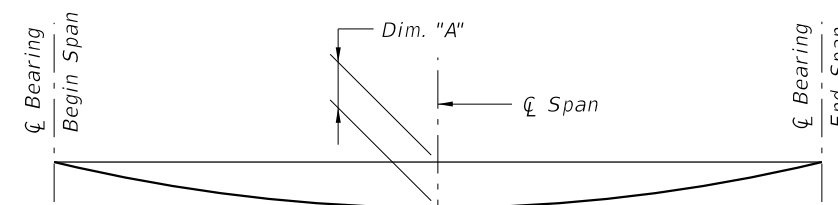


**BUILD-UP DIAGRAM FOR CREST VERTICAL CURVE SPANS
- CONTROL AT BEGIN OR END SPAN
(ALONG \bar{C} BEAM) (CASE 4)**

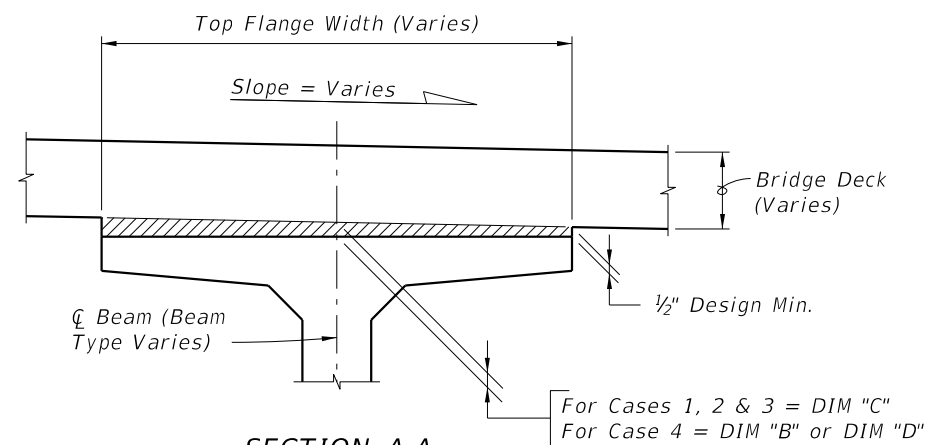
BEAM CAMBER AND BUILD-UP NOTES:

The build-up values given in the Data Table* are based on theoretical beam cambers. The Contractor shall monitor beam cambers for the purpose of predicting camber values at the time of the deck pour. If the predicted cambers based on field measurements differ more than $\pm 1/2$ " from the theoretical "Net Beam Camber @ 120 Days" shown in the Data Table*, obtain approval from the Engineer to modify the build-up dimensions as required. When the measured beam cambers create a conflict with the bottom mat of deck steel, notify the Engineer a minimum of 21 days prior to casting.

Dim. "A" includes the weight of the Stay-In-Place Formwork.



DEAD LOAD DEFLECTION DIAGRAM

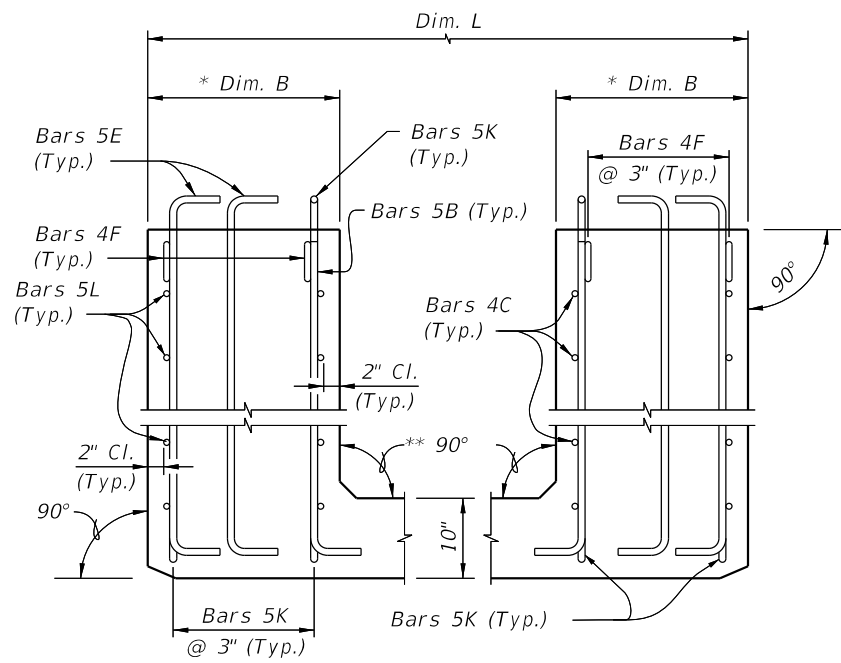


**SECTION A-A
BUILD-UP OVER BEAMS
(Florida-I Beam Shown
AASHTO Type II Similar)**

* NOTE:
Work this Index with the Build-up and Deflection Data Table for Florida-I and AASHTO Type II Beams in Structures Plans.

12/17/2015 1:22:25 PM

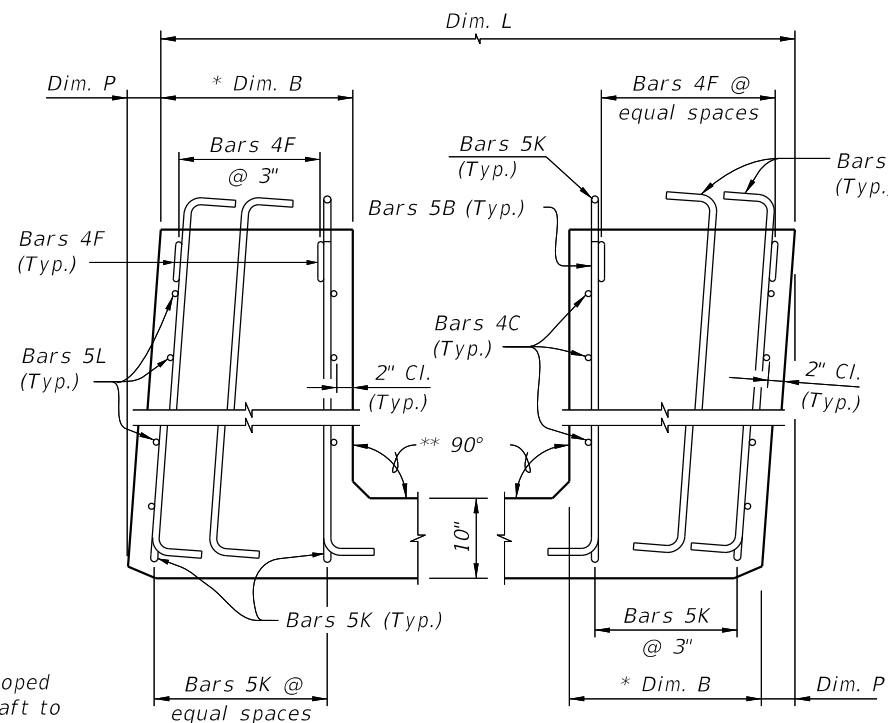
| | | |
|---------------------------|----------|--------------|
| LAST REVISION 07/01/15 | REVISION | DESCRIPTION: |
|---------------------------|----------|--------------|



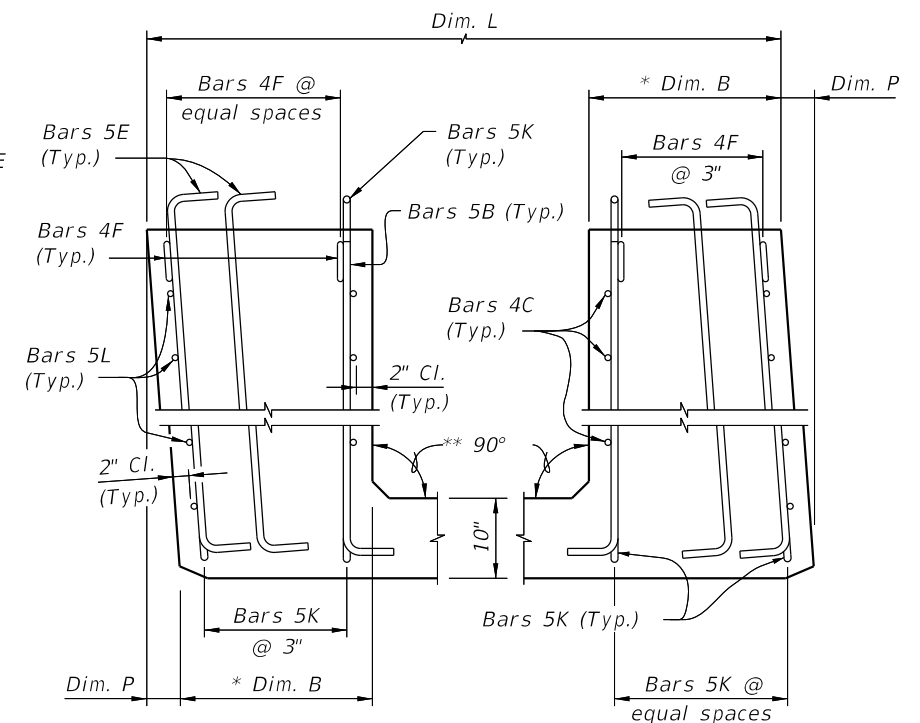
* Dim. B is 1'-6" for Florida-U 48 and 54 Beams and 2'-0" for Florida-U 63 and 72 Beams.

CONDITION 1
(P = 0.0)

** Concrete face may be sloped with a maximum 1:24 draft to facilitate formwork removal.

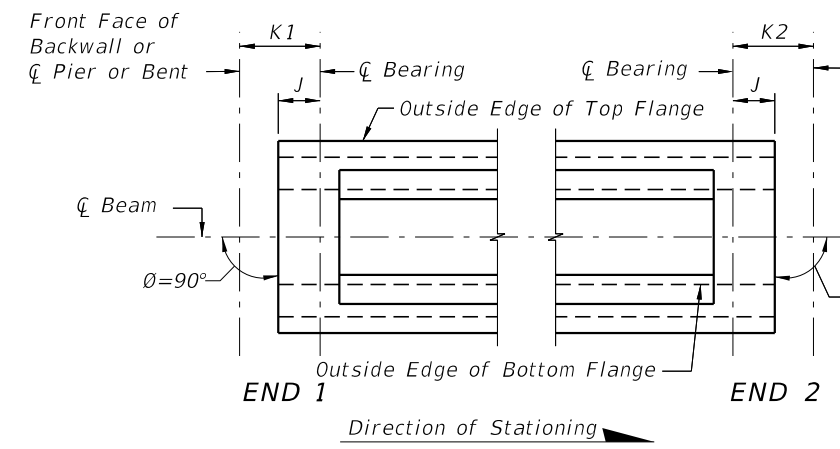


CONDITION 2

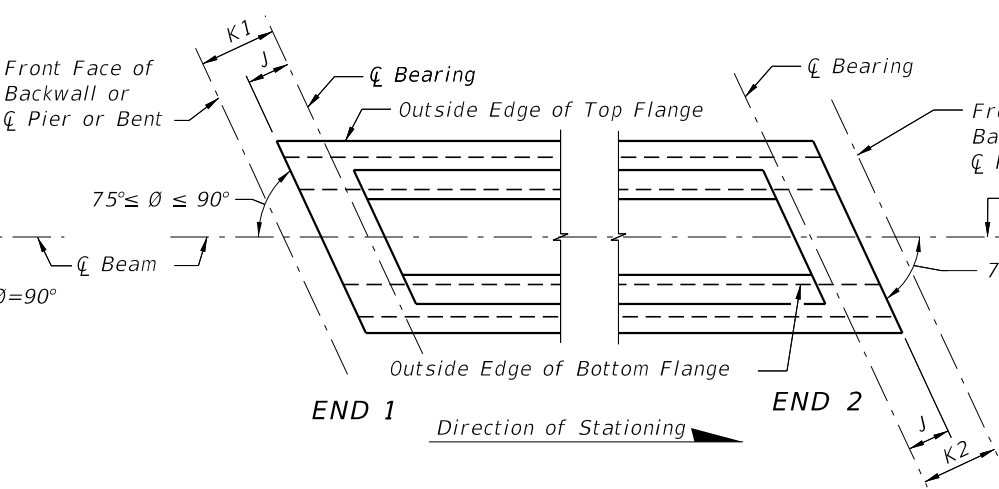


CONDITION 3

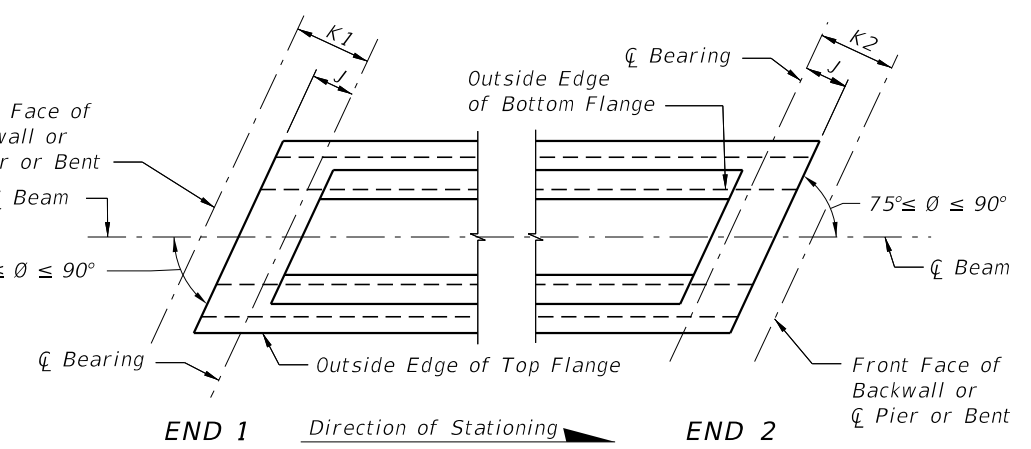
SCHEMATIC END ELEVATIONS OF BEAMS
(Showing Vertical Bevel of Beam End)



CASE 1



CASE 2



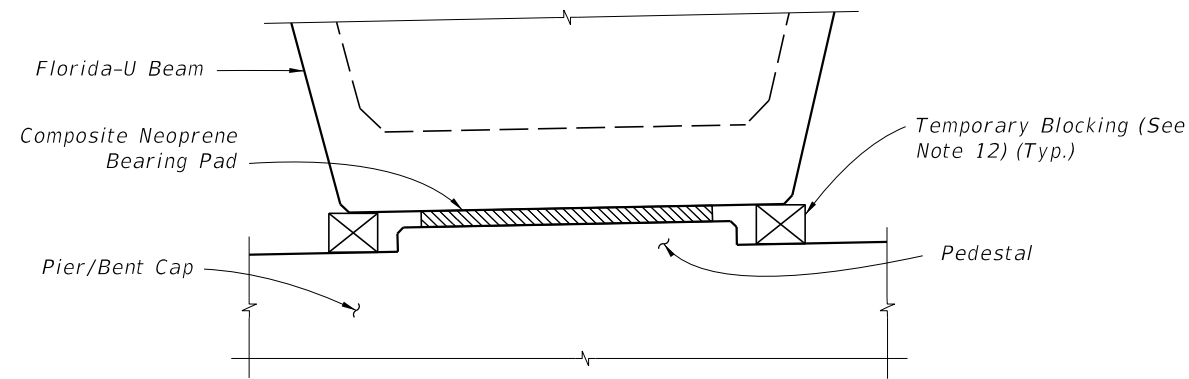
CASE 3

SCHEMATIC PLAN VIEWS AT BEAM ENDS

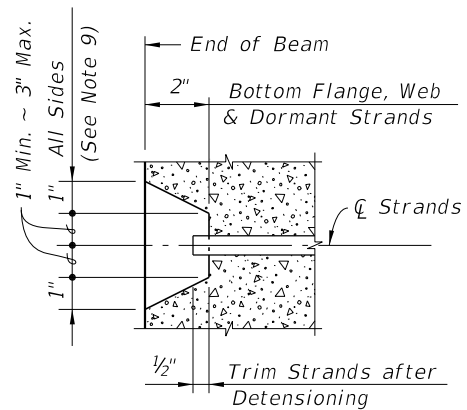
NOTE:
Work this Index with Florida-U Beam - Table of Beam Variables in Structures Plans.

12/17/2015 1:22:49 PM

| | | | | | | |
|---------------------------|----------|--------------|------------------------------------|---|---------------------------|----------------------------|
| LAST REVISION 01/01/12 | REVISION | DESCRIPTION: | FY 2016-17 DESIGN STANDARDS | TYPICAL FLORIDA-U BEAM DETAILS AND NOTES | INDEX NO. 20210 | SHEET NO. 1 of 2 |
|---------------------------|----------|--------------|------------------------------------|---|---------------------------|----------------------------|



TEMPORARY BLOCKING OF BEAM ENDS



TYPICAL STRAND BLOCKOUT DETAIL


BEAM NOTES

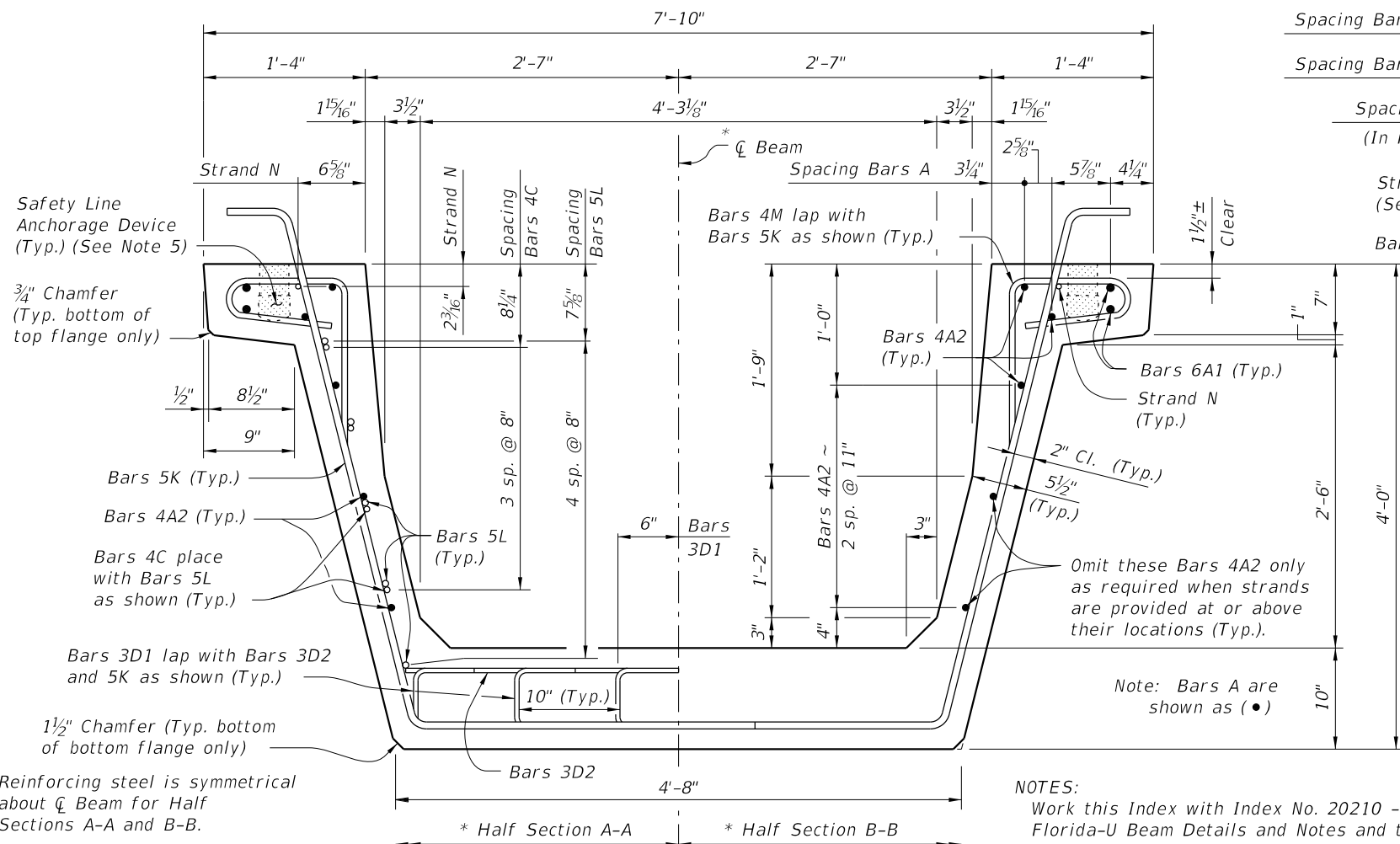
1. All bar dimensions are out-to-out.
2. Strands N (Dormant Strands) shall be ASTM A416, Grade 270, seven-wire strands $\frac{3}{8}$ " \emptyset or larger, stressed to 10,000 lbs. each.
3. Unless otherwise noted in Structures Plans, the minimum concrete cover for reinforcing steel shall be 2".
4. At the option of the Contractor and with the Engineer's Approval, deformed welded wire reinforcement (WWR) may be used in lieu of Bars 6A1, 4A2, 5B, 4C, 3D, 5E, 4F, 4G, 4H, 5K, 5L and 4M except as noted below in note 7, provided the wire sizes and spacing match those shown on the Standard Beam Detail sheets for these bars. WWR must consist of Deformed wire meeting the requirements of Specification Section 931.
5. Safety Line Anchorage Devices or sleeves are required and permitted in the top flanges only to accommodate fall protection systems used during construction. See shop drawings for details and spacing of any required embedments.
6. For Beams with vertically beveled end conditions when "Dim. P" exceeds 1", Bars 5E and the first Bars 4F and 5K shall be placed parallel to the end of the beam. The remaining Bars 4F and 5K within the limits of "Dim. B" shall be fanned at equal spaces.
7. Welded deformed wire reinforcement shall not be used for the end reinforcement (Bars 5B, 4C, 3D, 5E, 4F, 5K, and 5L) for beams with skewed end conditions or vertically beveled end conditions when "Dim. P" exceeds 1".
8. Bars 5K shall be placed and tied to the fully bonded strands in the bottom row (see "STRAND PATTERN" in Structures Plans).
9. Strand Protection at beam ends shall consist of a 2" deep recess formed around all strands (including dormant) or strand groups. Extend recess to face of web and bottom of flange for bottom row of strands. After detensioning, cut strands $\frac{1}{2}$ " from recessed surface and fill the recess with a Type F-2 or Q Epoxy Compound in accordance with Section 926 of the Specifications.
10. Use Size No. 67 maximum sized aggregate.
11. Use Stay-in-Place metal deck forms inside the beams.
12. Prior to deck placement, based on the deck forming system and deck placement sequence, evaluate and provide, if necessary, temporary bracing between the U Beams. Also, prior to deck placement, provide temporary blocking under each web at both ends of every beam. Ensure the temporary blocking is adequate to resist movements and rotations that occur during placement of the deck. Leave temporary blocking and bracing in place for a minimum of four days after the deck placement.
13. For referenced Dimensions, Angles and Case Numbers see Table of Beam Variables in Structures Plans.

NOTE:

Work this Index with Florida-U Beam - Table of Beam Variables in Structures Plans.

12/17/2015 1:22:49 PM

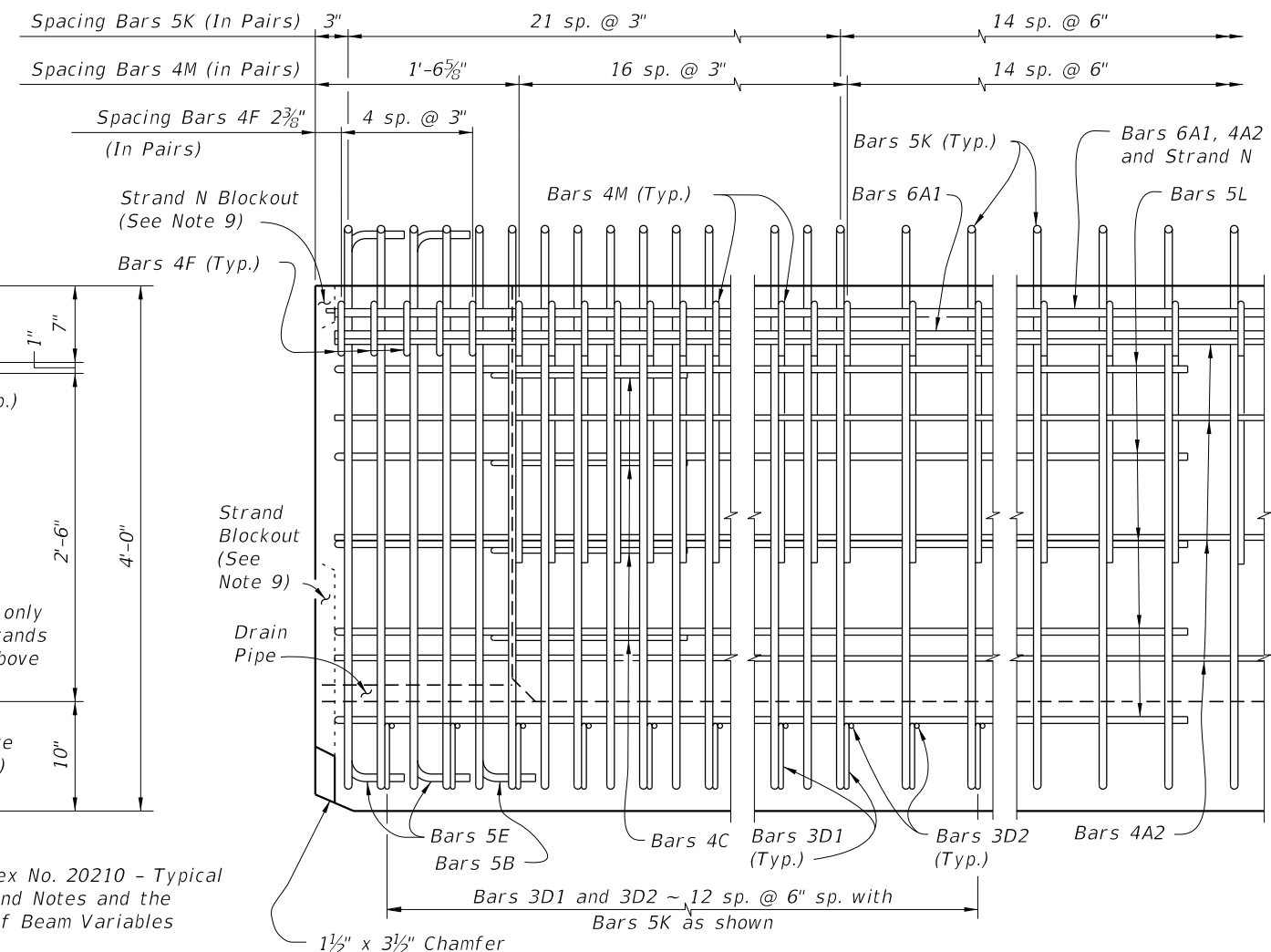
| | | | | | | |
|---------------------------|----------|--------------|---|---|---------------------------|----------------------------|
| LAST REVISION 07/01/13 | REVISION | DESCRIPTION: |  FY 2016-17 DESIGN STANDARDS | TYPICAL FLORIDA-U BEAM DETAILS AND NOTES | INDEX NO. 20210 | SHEET NO. 2 of 2 |
|---------------------------|----------|--------------|---|---|---------------------------|----------------------------|



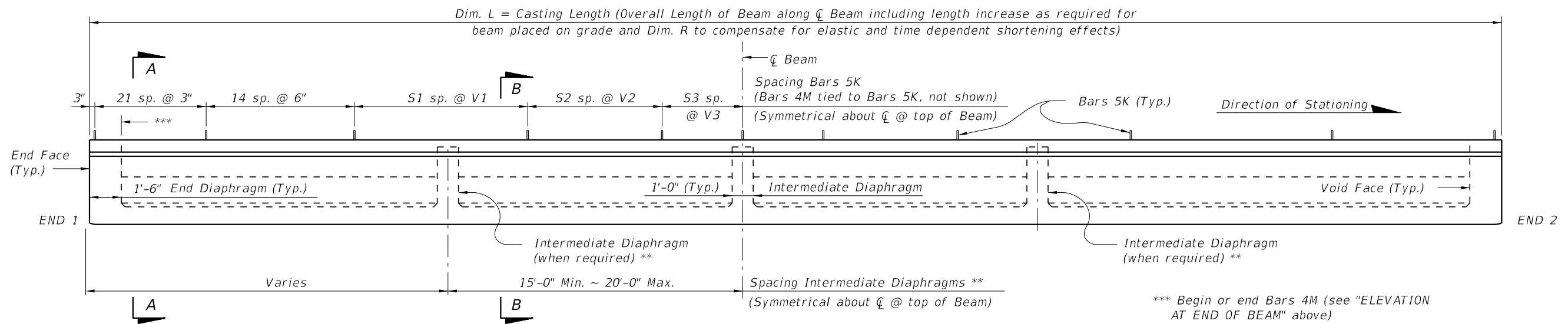
TYPICAL SECTION

* Reinforcing steel is symmetrical about \bar{C} Beam for Half Sections A-A and B-B.
 ** Intermediate Diaphragms shall be provided:
 (1) - At midspan.
 (2) - At 20'-0" Max. from midspan when beam length (L) exceeds 60 Ft.

NOTES:
 Work this Index with Index No. 20210 - Typical Florida-U Beam Details and Notes and the Florida-U Beam - Table of Beam Variables in Structures Plans.
 For referenced notes see Index No. 20210.



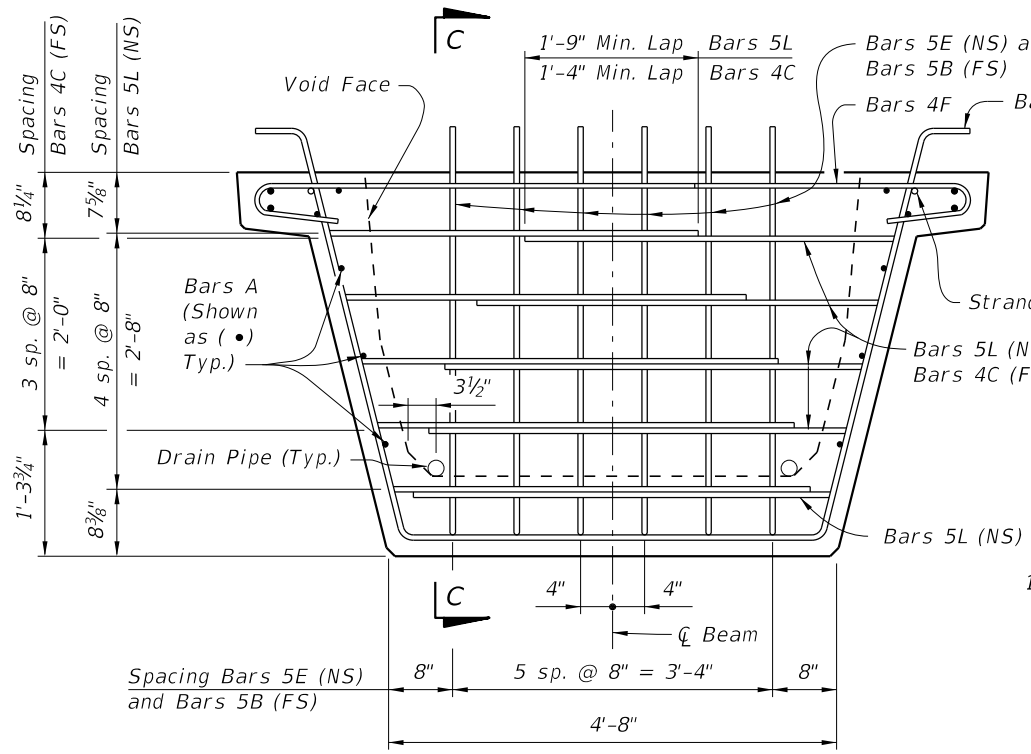
ELEVATION AT END OF BEAM



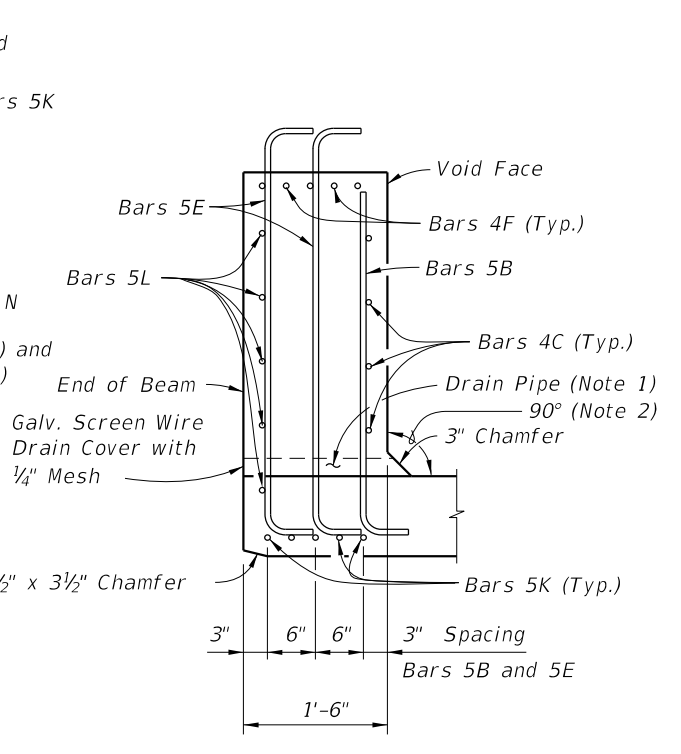
ELEVATION

12/17/2015 1:23:11 PM

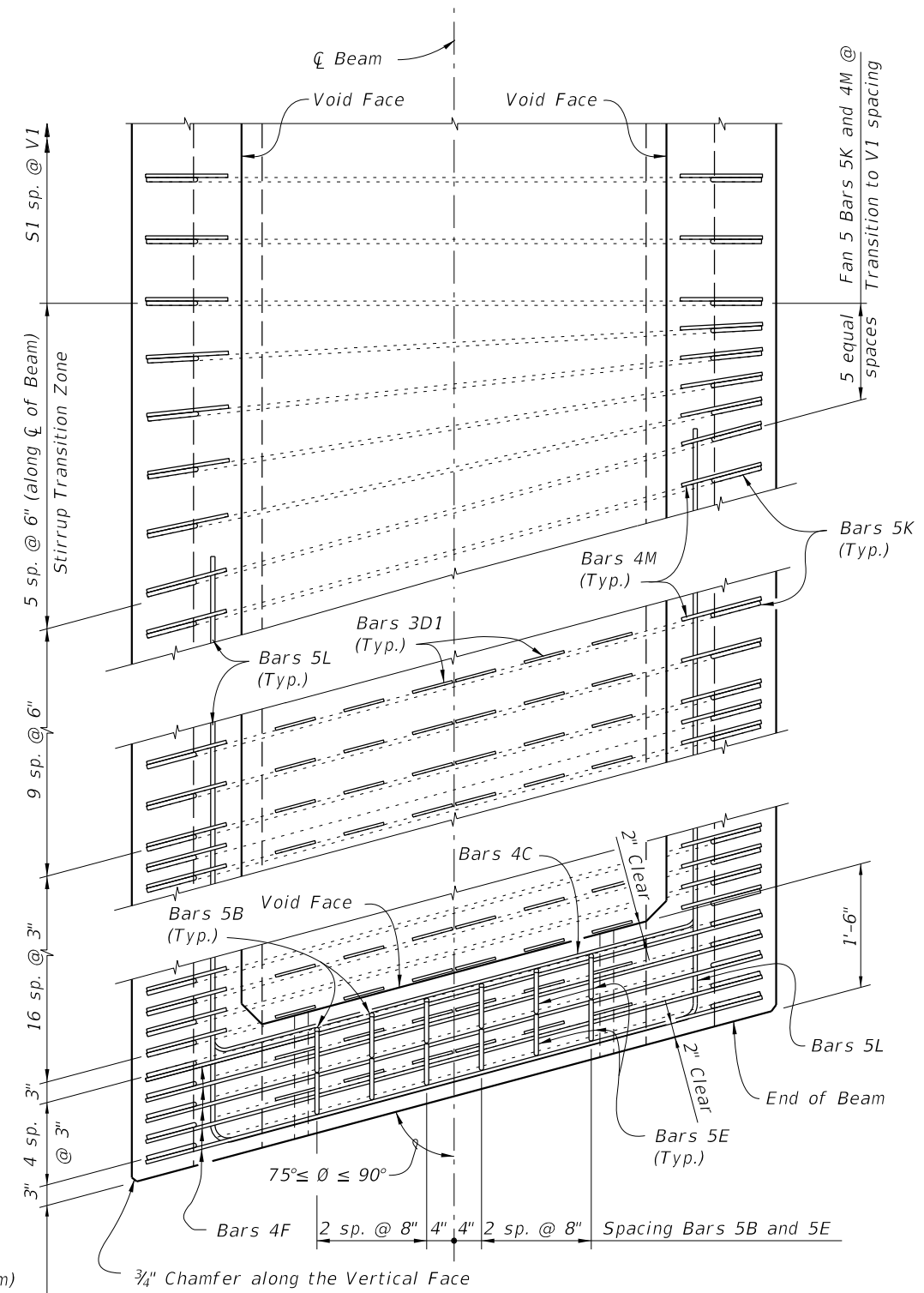
| | | | | | |
|---------------------------|--------------|------------------------------------|--------------------------------------|--------------------|---------------------|
| LAST REVISION 07/01/12 | DESCRIPTION: | FY 2016-17 DESIGN STANDARDS | FLORIDA-U 48 BEAM - STANDARD DETAILS | INDEX NO. 20248 | SHEET NO. 1 of 3 |
|---------------------------|--------------|------------------------------------|--------------------------------------|--------------------|---------------------|



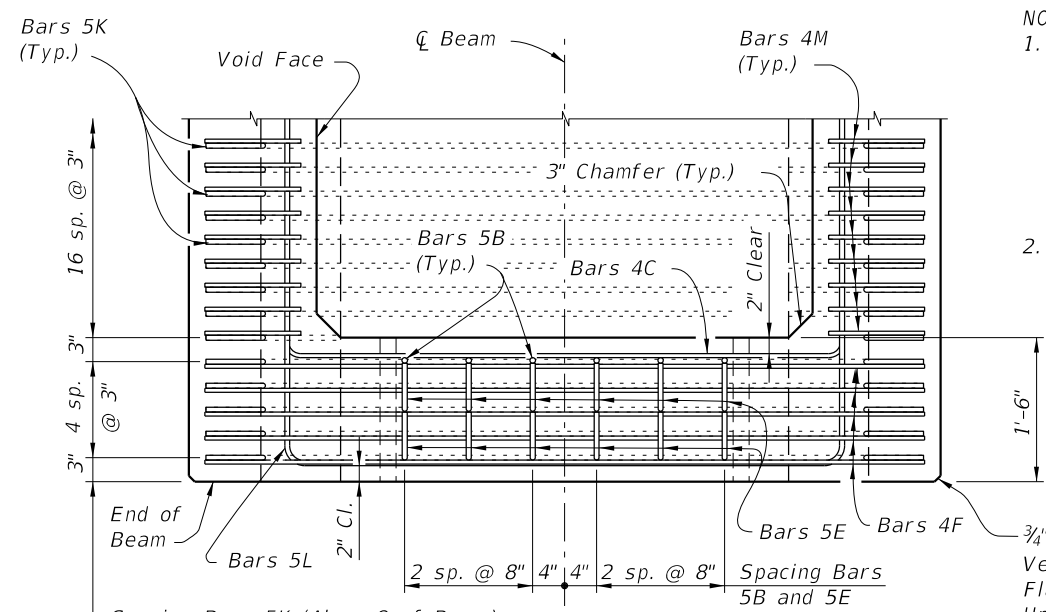
END VIEW AT END DIAPHRAGM



SECTION C-C



TOP VIEW OF SKEWED END DIAPHRAGM AND STIRRUP TRANSITION ZONE (Bars 3D2 Not Shown For Clarity)



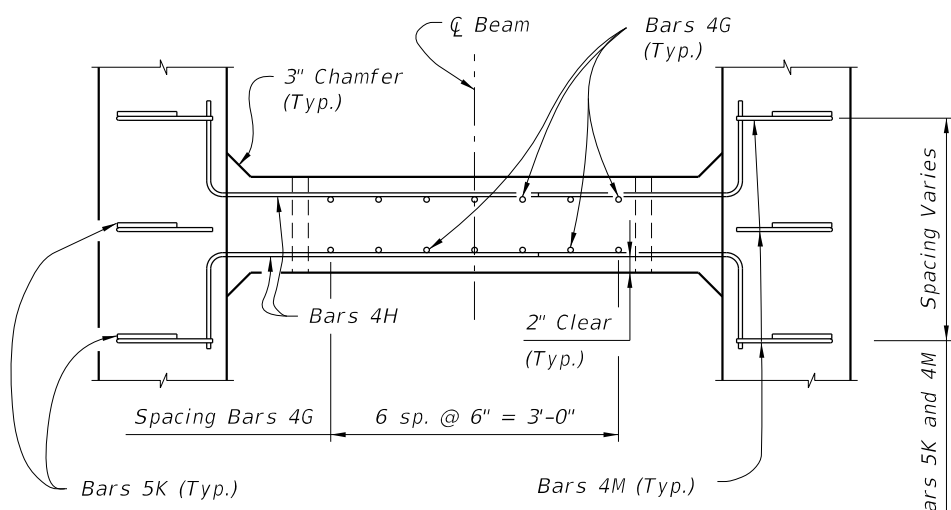
TOP VIEW OF END DIAPHRAGM (Bars 3D1 And 3D2 Not Shown For Clarity)

NOTES:
 1. Drains shall be placed adjacent to each web at each beam end (four drains per beam). Drain Pipe shall be 2" Nominal Pipe Size, Schedule 80 PVC. Provide removable pipe plugs to prevent concrete entrance during beam casting. Plugs to be removed from the inside after casting. Galvanized screen wire shall cover the end of the pipe and bent down around the sides of the pipe, a minimum of 1" and secured prior to casting.
 2. Concrete face may be sloped with a maximum 1:24 draft to facilitate formwork removal.

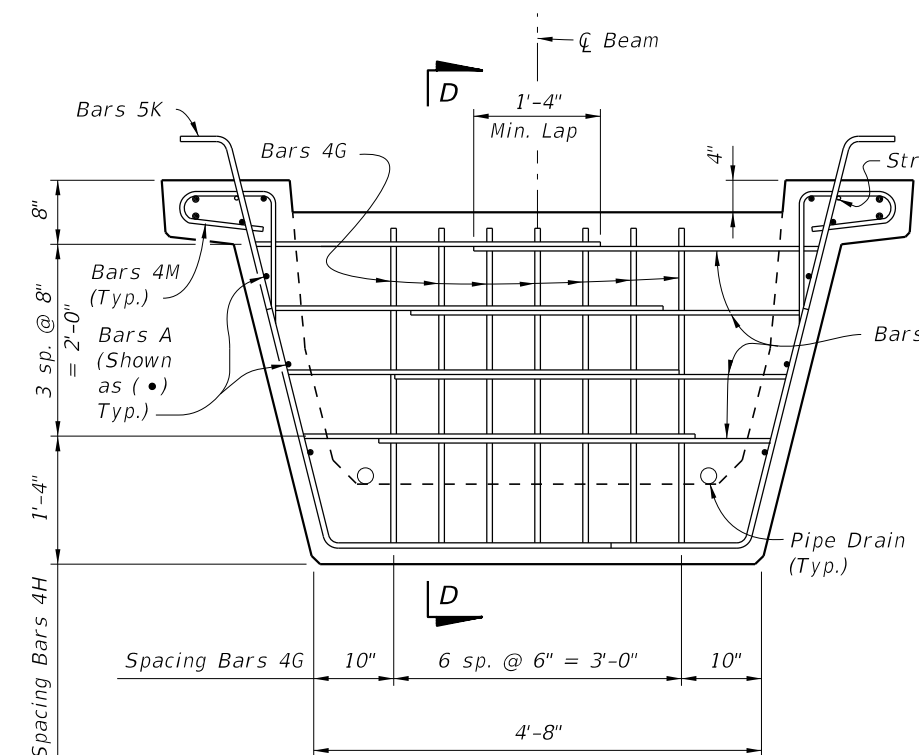
Spacing Bars 5K (Along ϕ of Beam) (Bars 4F and 4M are Paired with Bars 5K as shown)

12/17/2015 1:23:12 PM

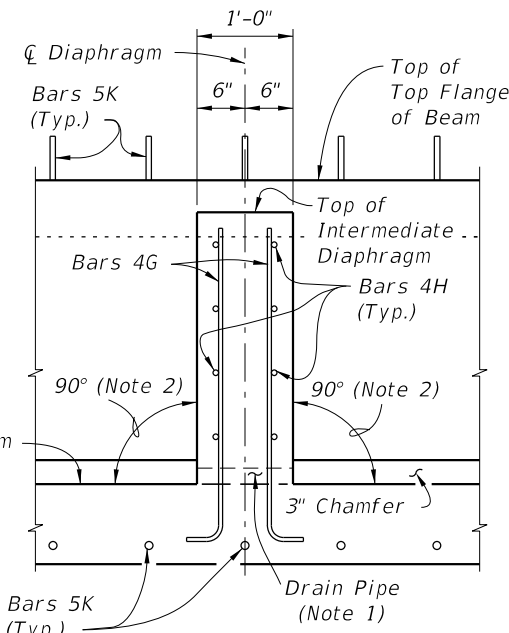
| | | | | | |
|---------------------------|--------------|---|--------------------------------------|--------------------|---------------------|
| LAST REVISION 07/01/05 | DESCRIPTION: |  FY 2016-17 DESIGN STANDARDS | FLORIDA-U 48 BEAM - STANDARD DETAILS | INDEX NO. 20248 | SHEET NO. 2 of 3 |
|---------------------------|--------------|---|--------------------------------------|--------------------|---------------------|



TOP VIEW OF INTERMEDIATE DIAPHRAGM



SECTION AT INTERMEDIATE DIAPHRAGM

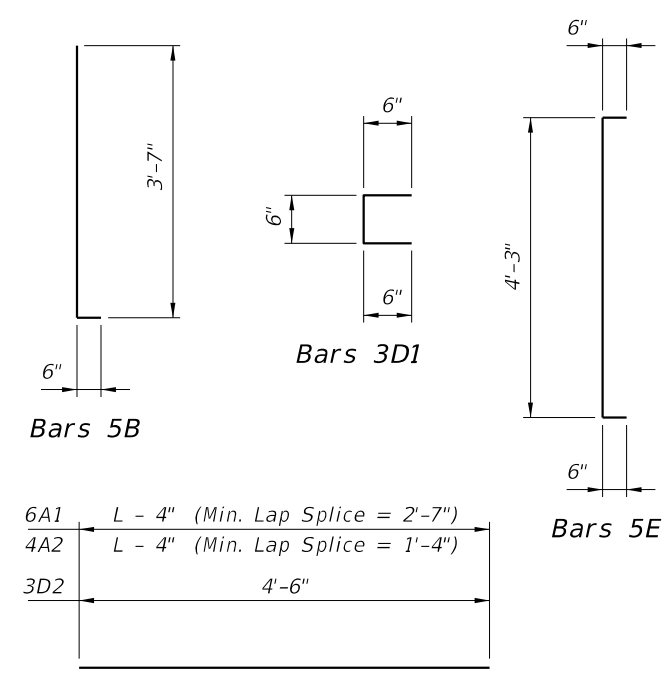


SECTION D-D

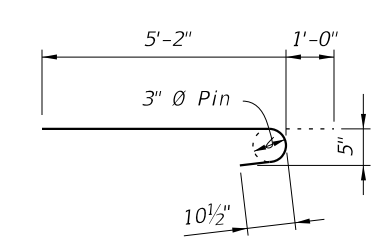
- NOTES:
1. Drains shall be placed adjacent to each web at each intermediate diaphragm (two drains per intermediate diaphragm). Drain Pipe shall be 2" Nominal Pipe Size, Schedule 80 PVC. Provide removable pipe plugs to prevent concrete entrance during beam casting. Plugs to be removed from the inside after casting.
 2. Concrete face may be sloped with a maximum 1:24 draft to facilitate formwork removal.
 3. Intermediate diaphragms must be cast and concrete release strength obtained prior to removing beam from casting bed.

CONVENTIONAL REINFORCING STEEL BENDING DIAGRAMS

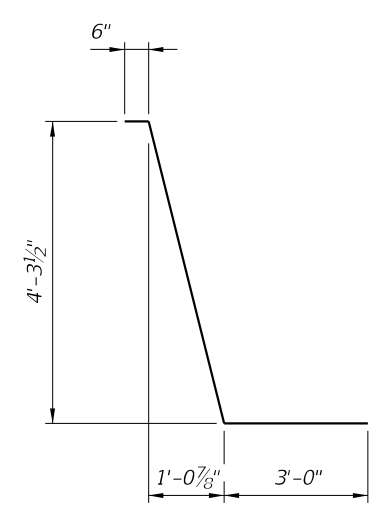
| BILL OF REINFORCING STEEL FOR ONE BEAM ONLY | | | |
|---|---------------|-----------|-------------|
| MARK | SIZE | NO. REQD. | LENGTH |
| A1 | 6 | 4 | Dim. L - 4" |
| A2 | 4 | 10 | Dim. L - 4" |
| B | 5 | 12 | 4'-1" |
| C | 4 | 16 | 5'-1" |
| D1 | 3 | 156 | 1'-6" |
| D2 | 3 | 26 | 4'-6" |
| E | 5 | 24 | 5'-3" |
| F | 4 | 20 | 6'-2" |
| G | 4 | See Table | 4'-0" |
| H | 4 | See Table | 4'-7" |
| K | 5 | See Table | 8'-0" |
| L | 5 | 20 | 14'-0" |
| M | 4 | See Table | 3'-11" |
| N | 3/8" Ø Strand | 2 | Dim. L - 3" |



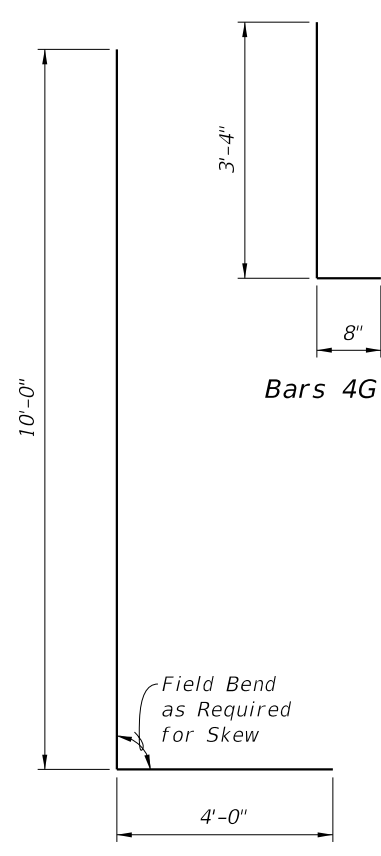
Bars 6A1, 4A2 and 3D2



Bars 4F

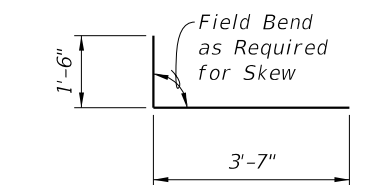


Bars 5K

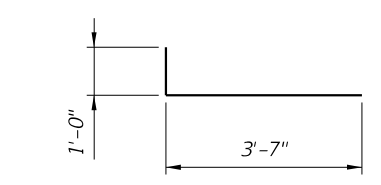


Bars 4G

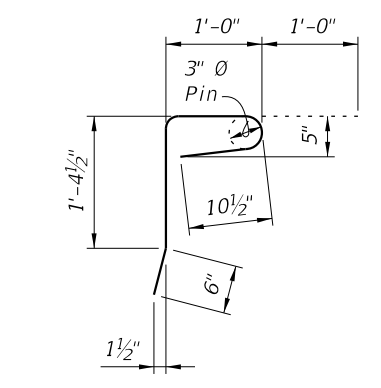
Bars 5L



Bars 4C

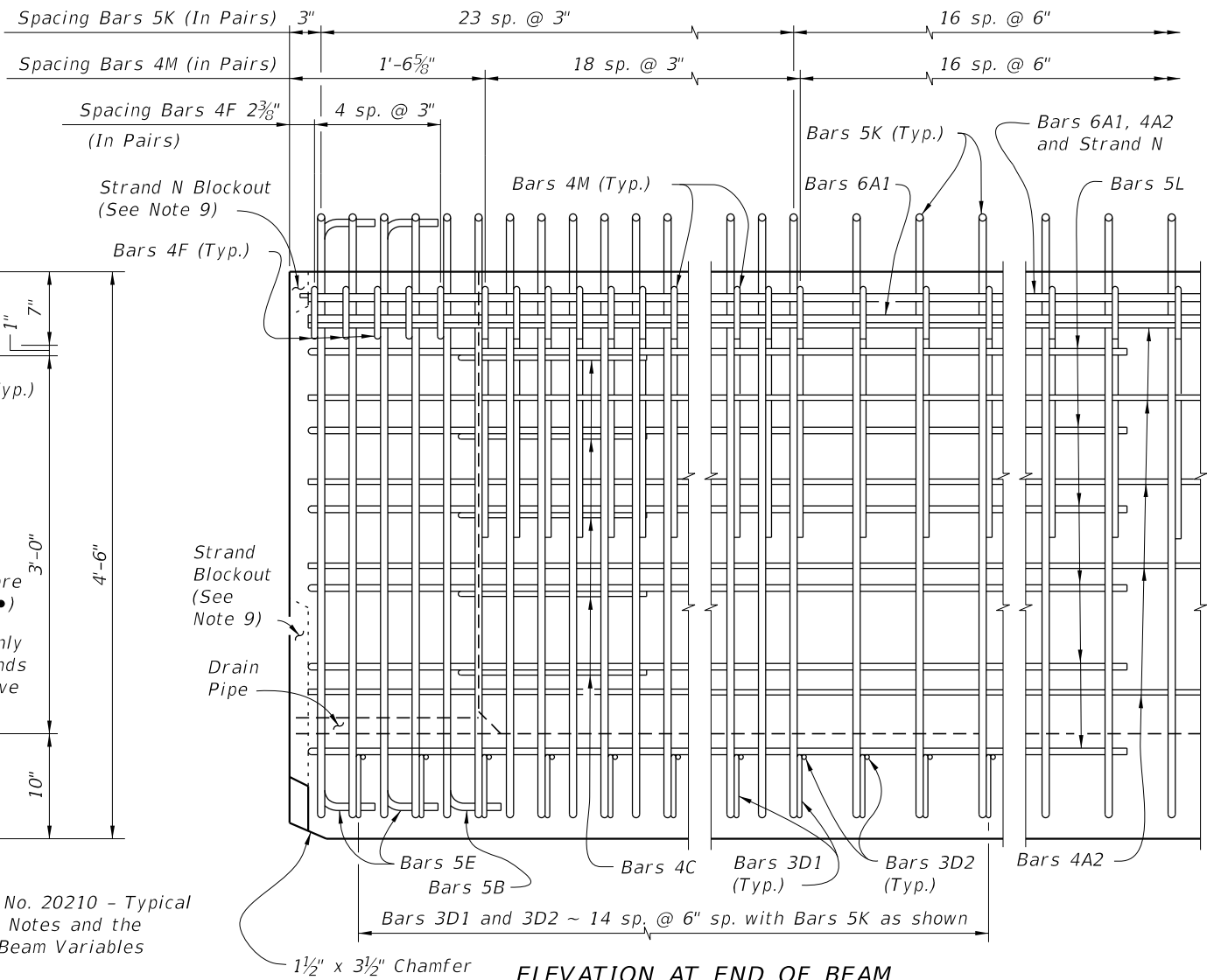
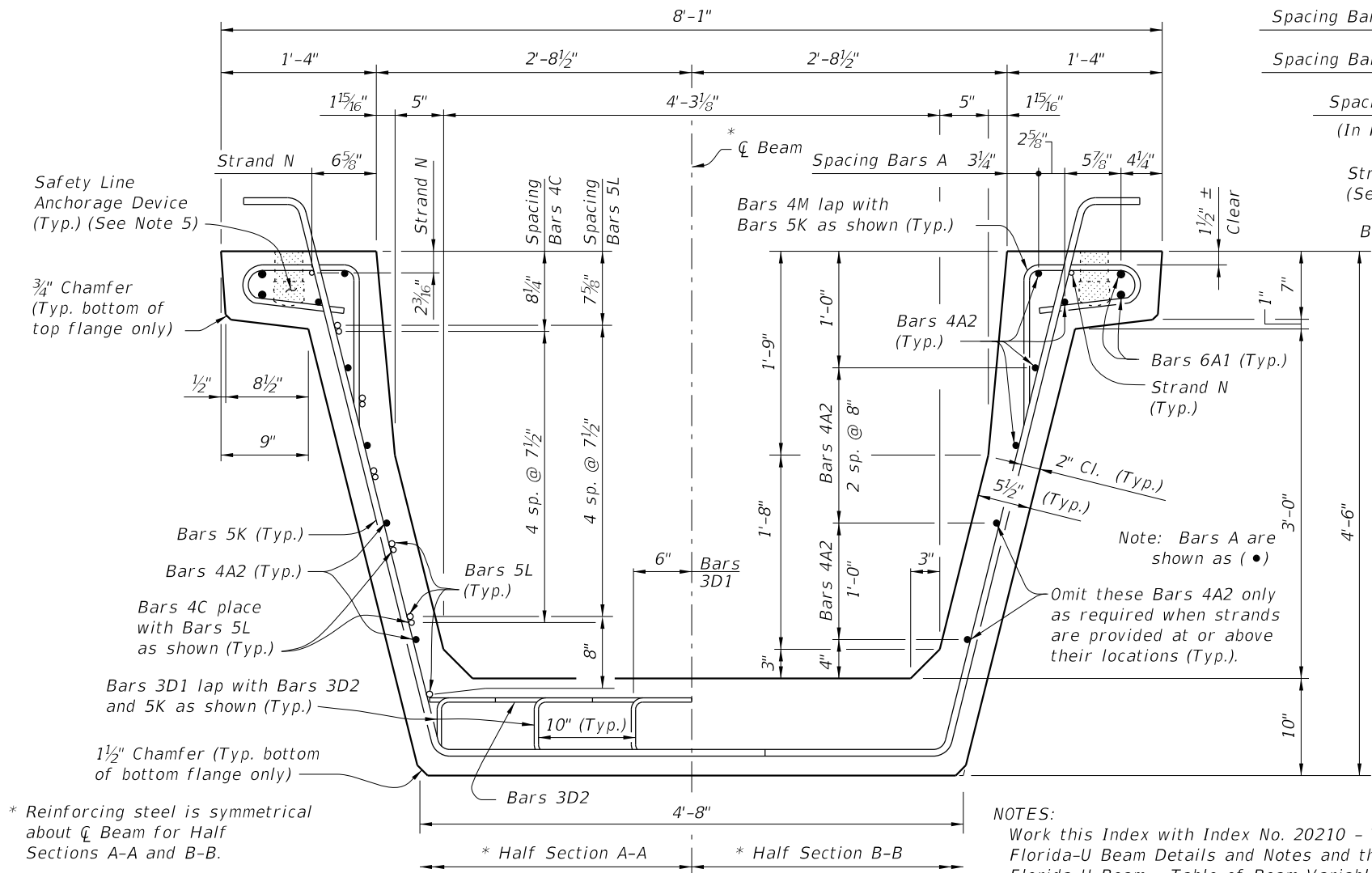


Bars 4H



Bars 4M

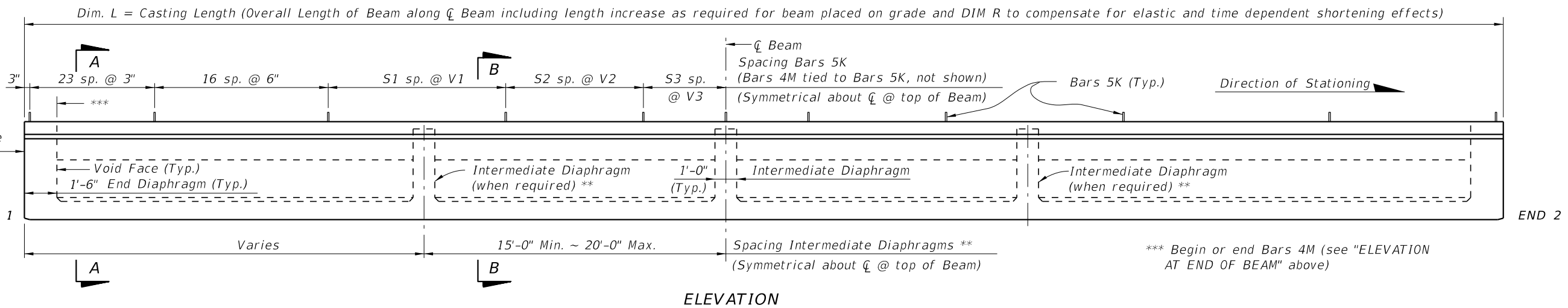
12/17/2015 1:23:12 PM



* Reinforcing steel is symmetrical about \bar{C} Beam for Half Sections A-A and B-B.

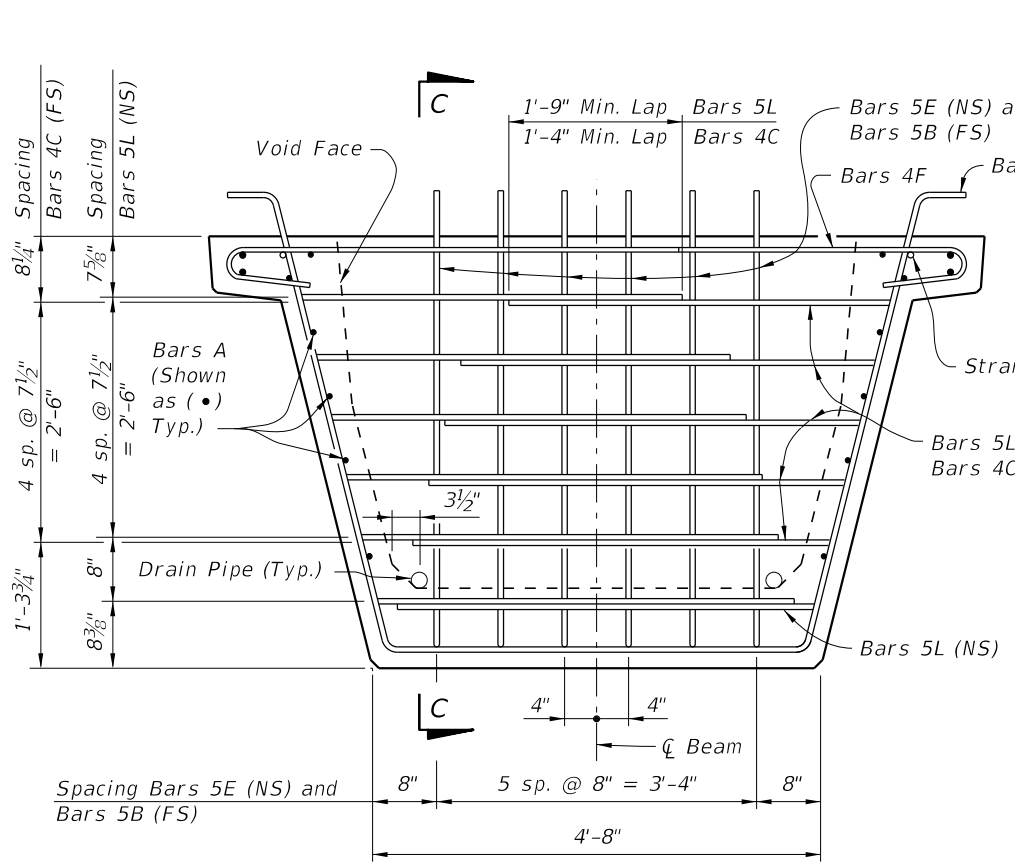
** Intermediate Diaphragms shall be provided:
 (1) - At midspan.
 (2) - At 20'-0" Max. from midspan when beam length (L) exceeds 60 Ft.

NOTES:
 Work this Index with Index No. 20210 - Typical Florida-U Beam Details and Notes and the Florida-U Beam - Table of Beam Variables in Structures Plans.
 For referenced notes see Index No. 20210.

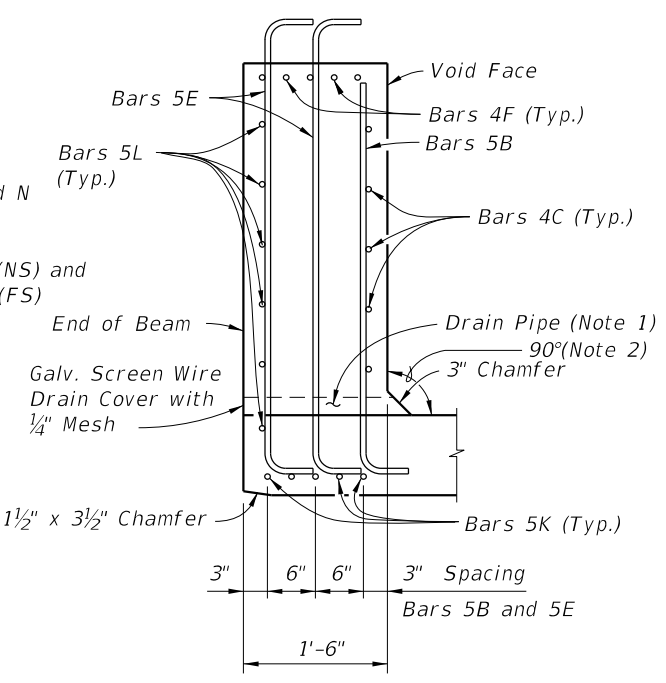


12/17/2015 1:24:32 PM

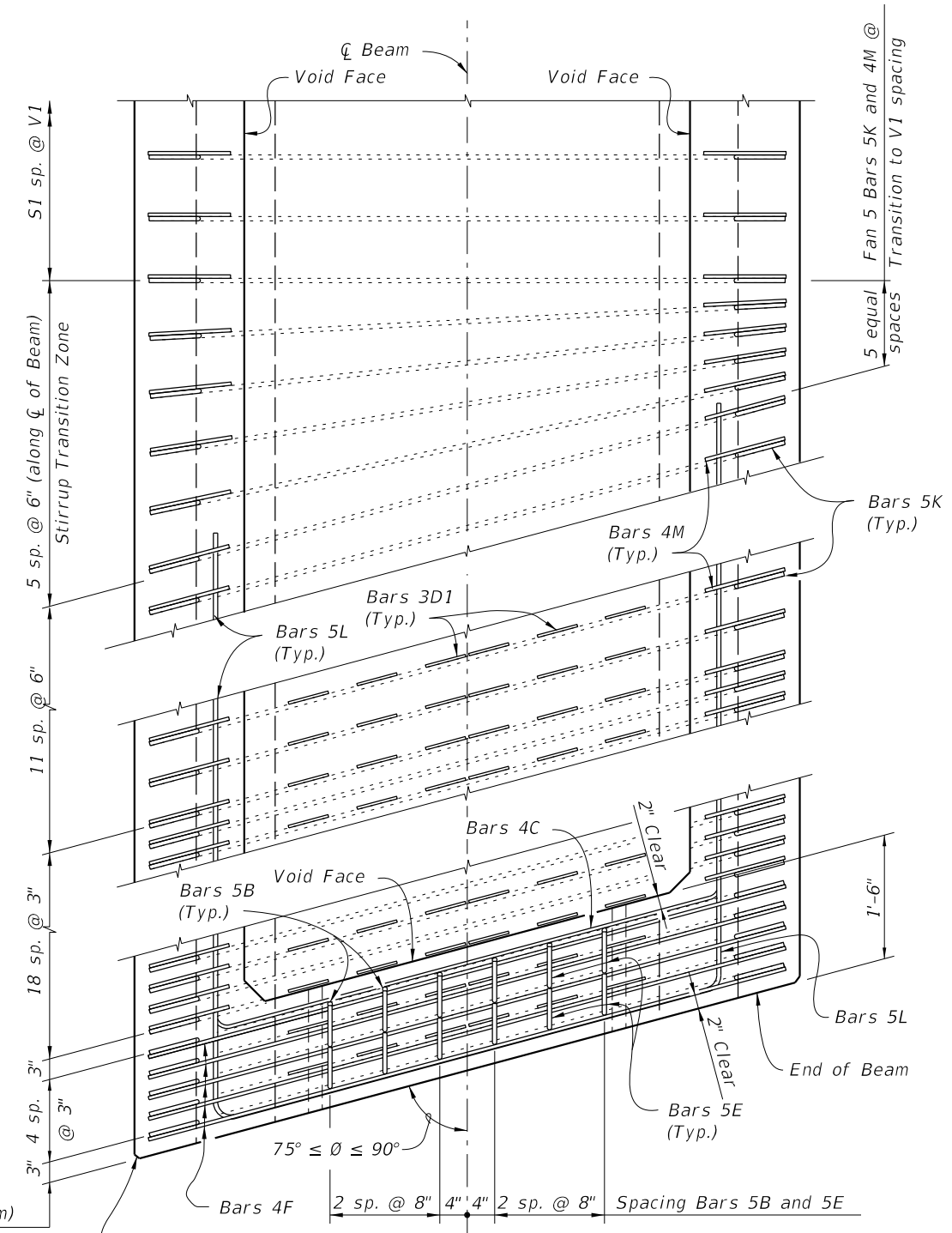
| | | | | | |
|---------------------------|--------------|------------------------------------|--------------------------------------|--------------------|---------------------|
| LAST REVISION 07/01/12 | DESCRIPTION: | FY 2016-17 DESIGN STANDARDS | FLORIDA-U 54 BEAM - STANDARD DETAILS | INDEX NO. 20254 | SHEET NO. 1 of 3 |
|---------------------------|--------------|------------------------------------|--------------------------------------|--------------------|---------------------|



END VIEW AT END DIAPHRAGM

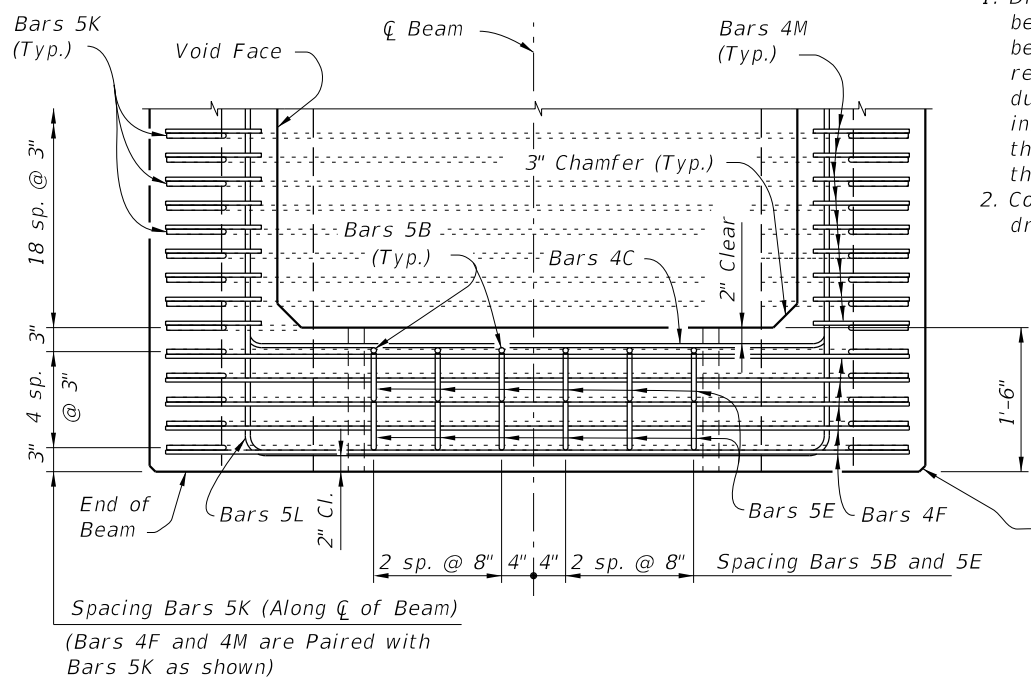


SECTION C-C



TOP VIEW OF SKEWED END DIAPHRAGM AND STIRRUP TRANSITION ZONE (Bars 3D2 Not Shown For Clarity)

- NOTES:
1. Drains shall be placed adjacent to each web at each beam end (four drains per beam). Drain Pipe shall be 2" Nominal Pipe Size, Schedule 80 PVC. Provide removable pipe plugs to prevent concrete entrance during beam casting. Plugs to be removed from the inside after casting. Galvanized screen wire shall cover the end of the pipe and bent down around the sides of the pipe, a minimum of 1" and secured prior to casting.
 2. Concrete face may be sloped with a maximum 1:24 draft to facilitate formwork removal.



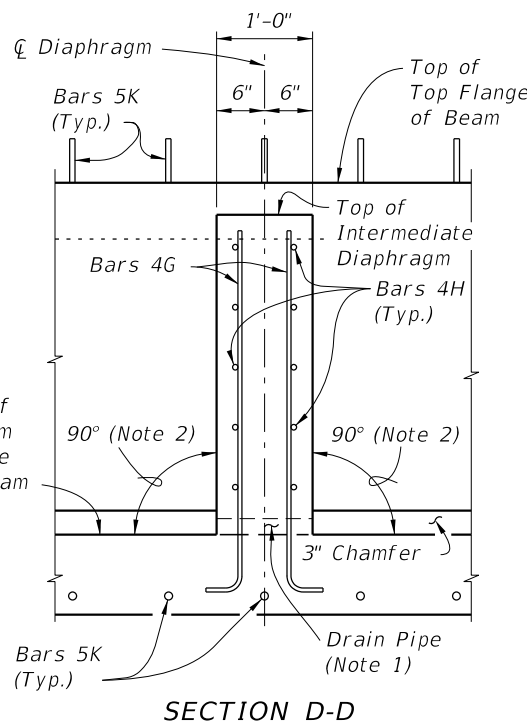
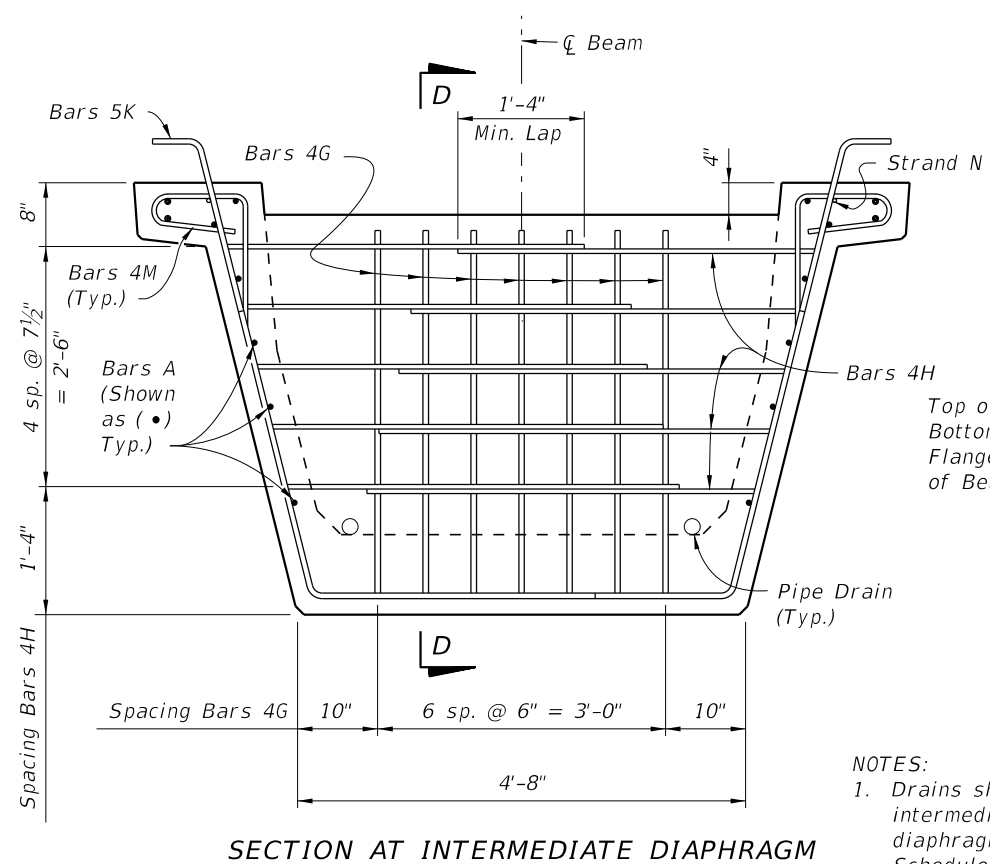
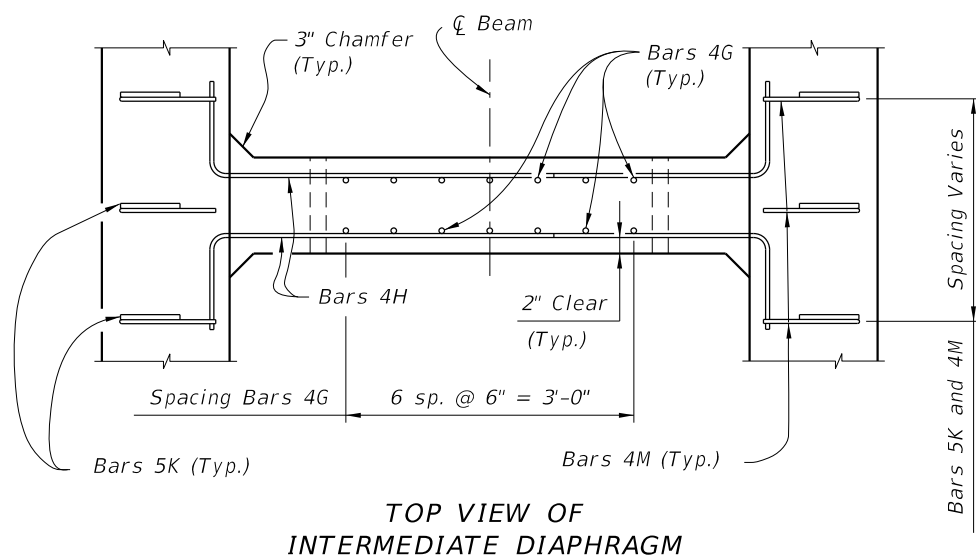
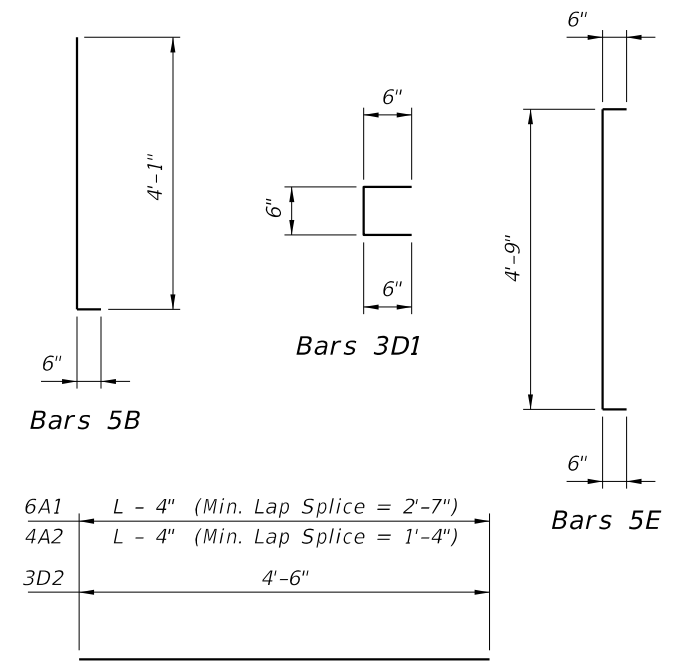
TOP VIEW OF END DIAPHRAGM (Bars 3D1 And 3D2 Not Shown For Clarity)

12/17/2015 1:24:33 PM

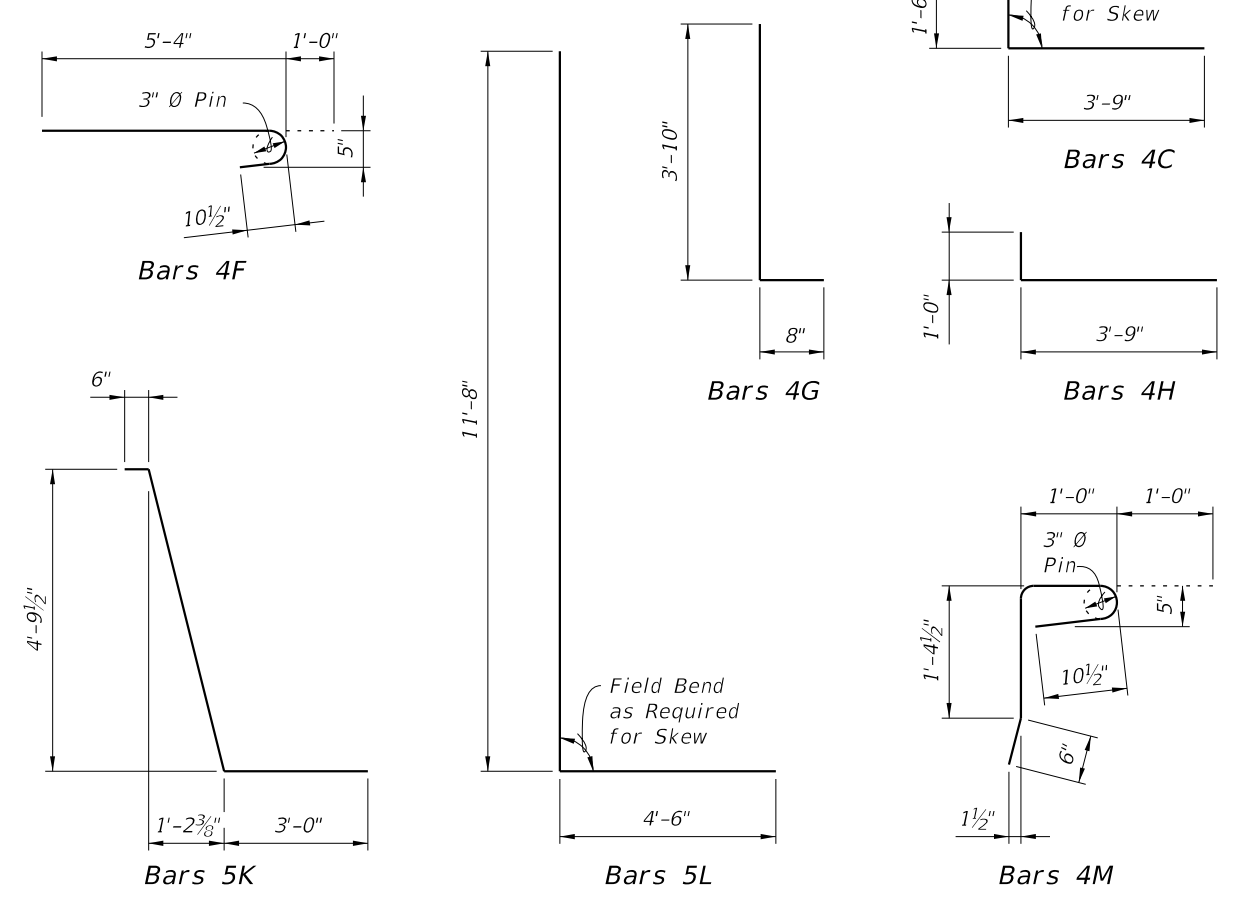
| | | | | | |
|---------------------------|--------------|---|--------------------------------------|--------------------|---------------------|
| LAST REVISION 07/01/05 | DESCRIPTION: |  FY 2016-17 DESIGN STANDARDS | FLORIDA-U 54 BEAM - STANDARD DETAILS | INDEX NO. 20254 | SHEET NO. 2 of 3 |
|---------------------------|--------------|---|--------------------------------------|--------------------|---------------------|

BILL OF REINFORCING STEEL FOR ONE BEAM ONLY

| MARK | SIZE | NO. REQD. | LENGTH |
|------|---------------|-----------|-------------|
| A1 | 6 | 4 | Dim. L - 4" |
| A2 | 4 | 12 | Dim. L - 4" |
| B | 5 | 12 | 4'-7" |
| C | 4 | 20 | 5'-3" |
| D1 | 3 | 180 | 1'-6" |
| D2 | 3 | 30 | 4'-6" |
| E | 5 | 24 | 5'-9" |
| F | 4 | 20 | 6'-4" |
| G | 4 | See Table | 4'-6" |
| H | 4 | See Table | 4'-9" |
| K | 5 | See Table | 8'-6" |
| L | 5 | 24 | 16'-2" |
| M | 4 | See Table | 3'-11" |
| N | 3/8" Ø Strand | 2 | Dim. L - 3" |



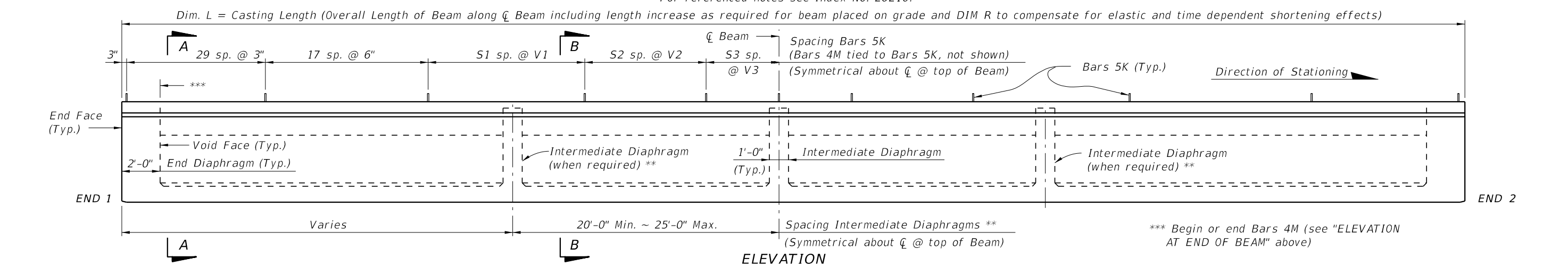
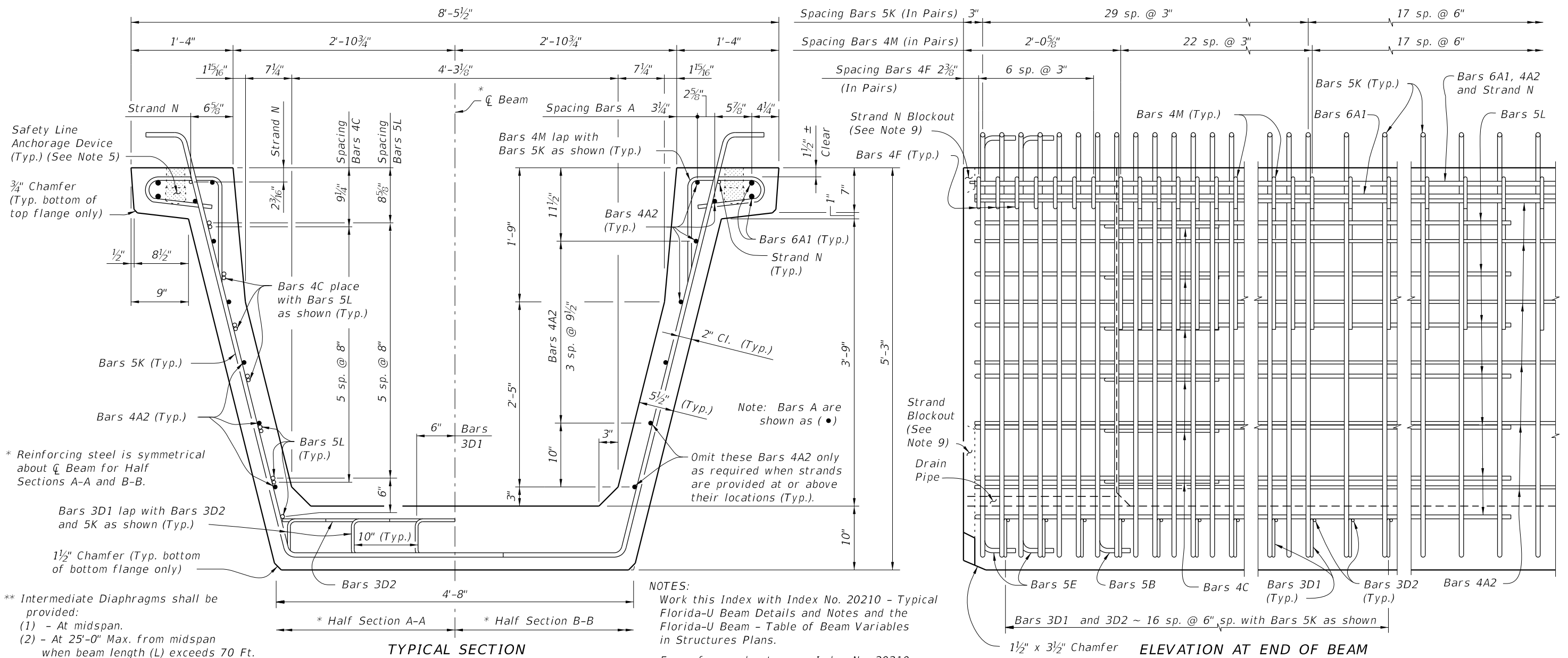
- NOTES:
1. Drains shall be placed adjacent to each web at each intermediate diaphragm (two drains per intermediate diaphragm). Drain Pipe shall be 2" Nominal Pipe Size, Schedule 80 PVC. Provide removable pipe plugs to prevent concrete entrance during beam casting. Plugs to be removed from the inside after casting.
 2. Concrete face may be sloped with a maximum 1:24 draft to facilitate formwork removal.
 3. Intermediate diaphragms must be cast and concrete release strength obtained prior to removing beam from casting bed.



12/17/2015 1:24:34 PM

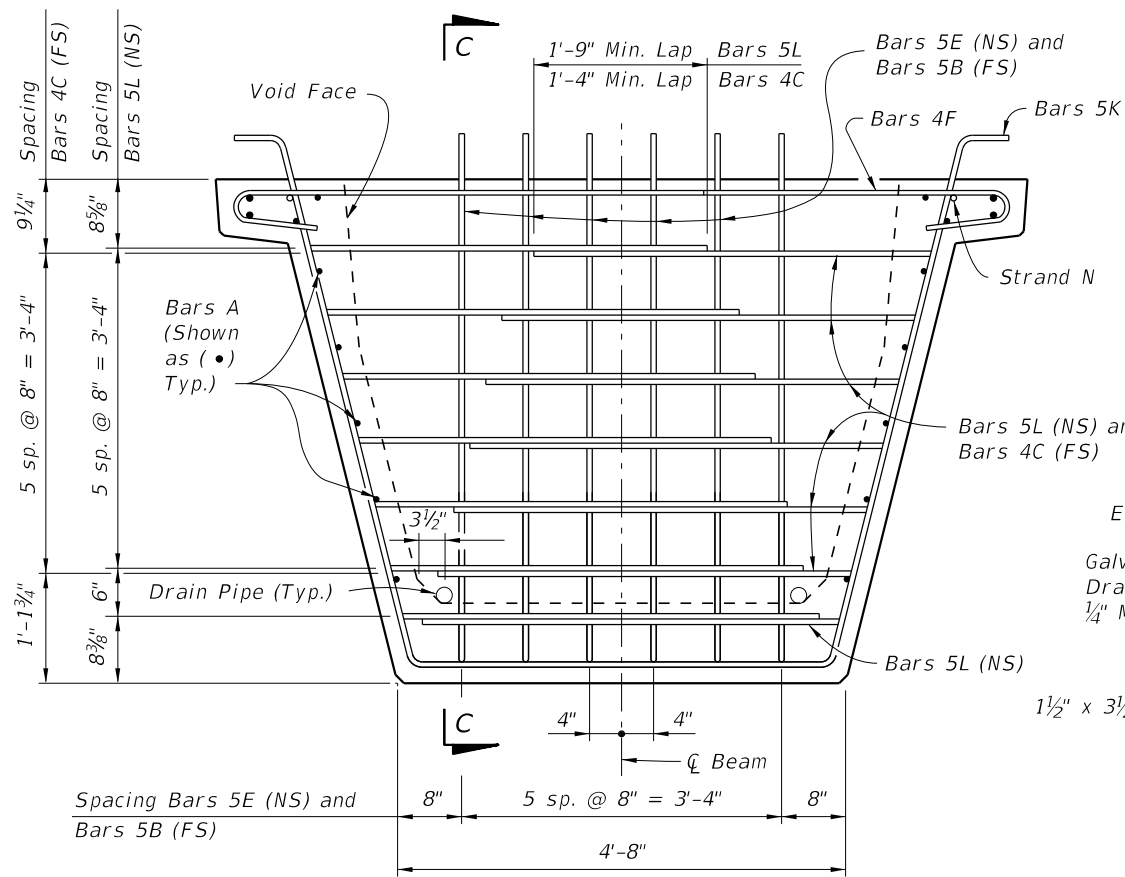
| | |
|---------------------------|--------------|
| LAST REVISION 01/01/11 | DESCRIPTION: |
|---------------------------|--------------|

| | |
|--------------------|---------------------|
| INDEX NO. 20254 | SHEET NO. 3 of 3 |
|--------------------|---------------------|

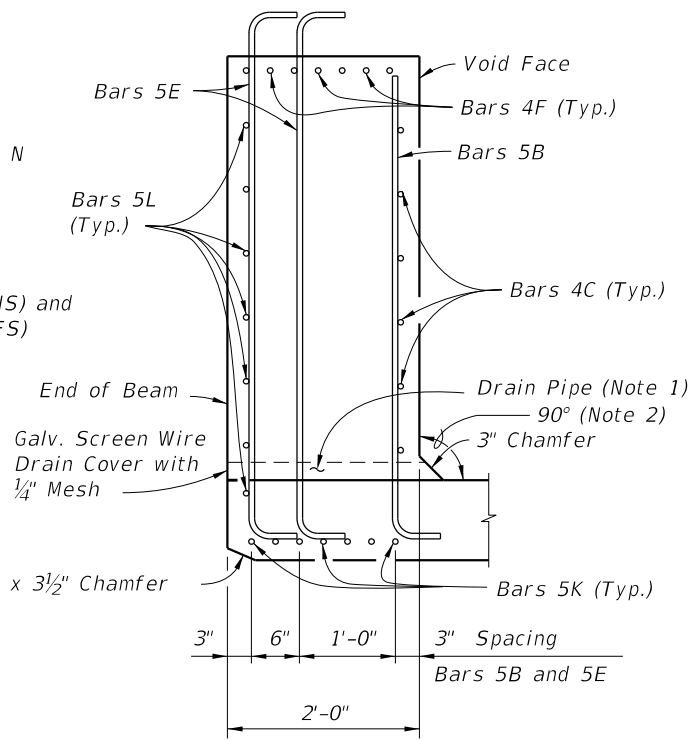


| | | | | | |
|---------------------------|--------------|--|---|---------------------------|----------------------------|
| LAST REVISION 07/01/12 | DESCRIPTION: | FY 2016-17 DESIGN STANDARDS | FLORIDA-U 63 BEAM - STANDARD DETAILS | INDEX NO. 20263 | SHEET NO. 1 of 3 |
|---------------------------|--------------|--|---|---------------------------|----------------------------|

12/17/2015 1:25:05 PM



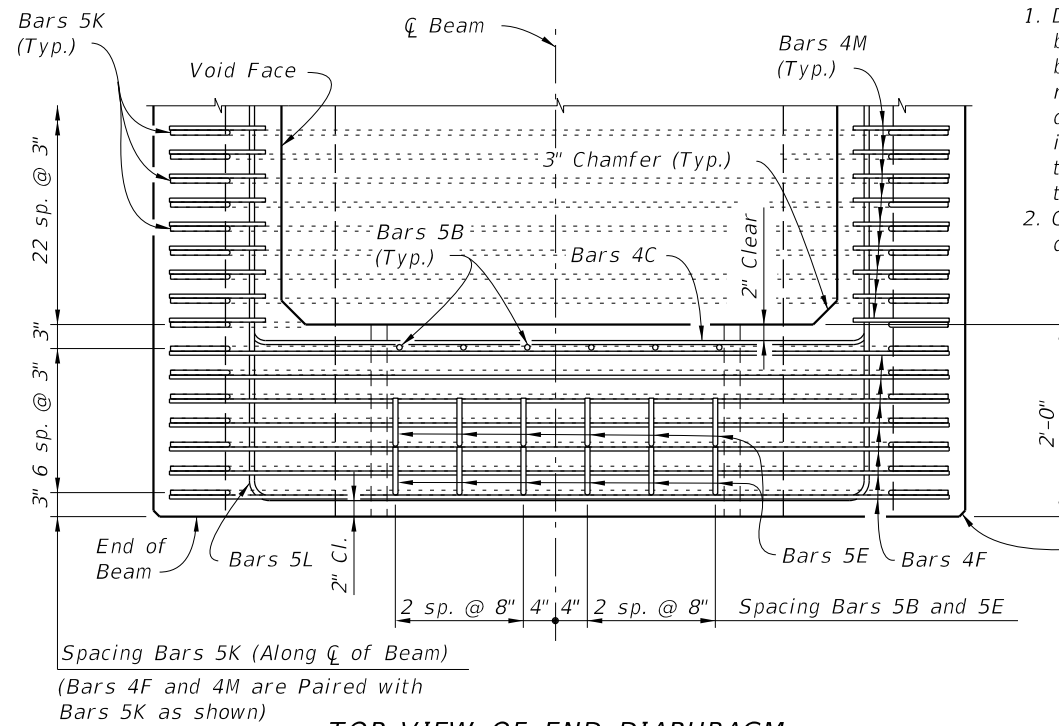
END VIEW AT END DIAPHRAGM



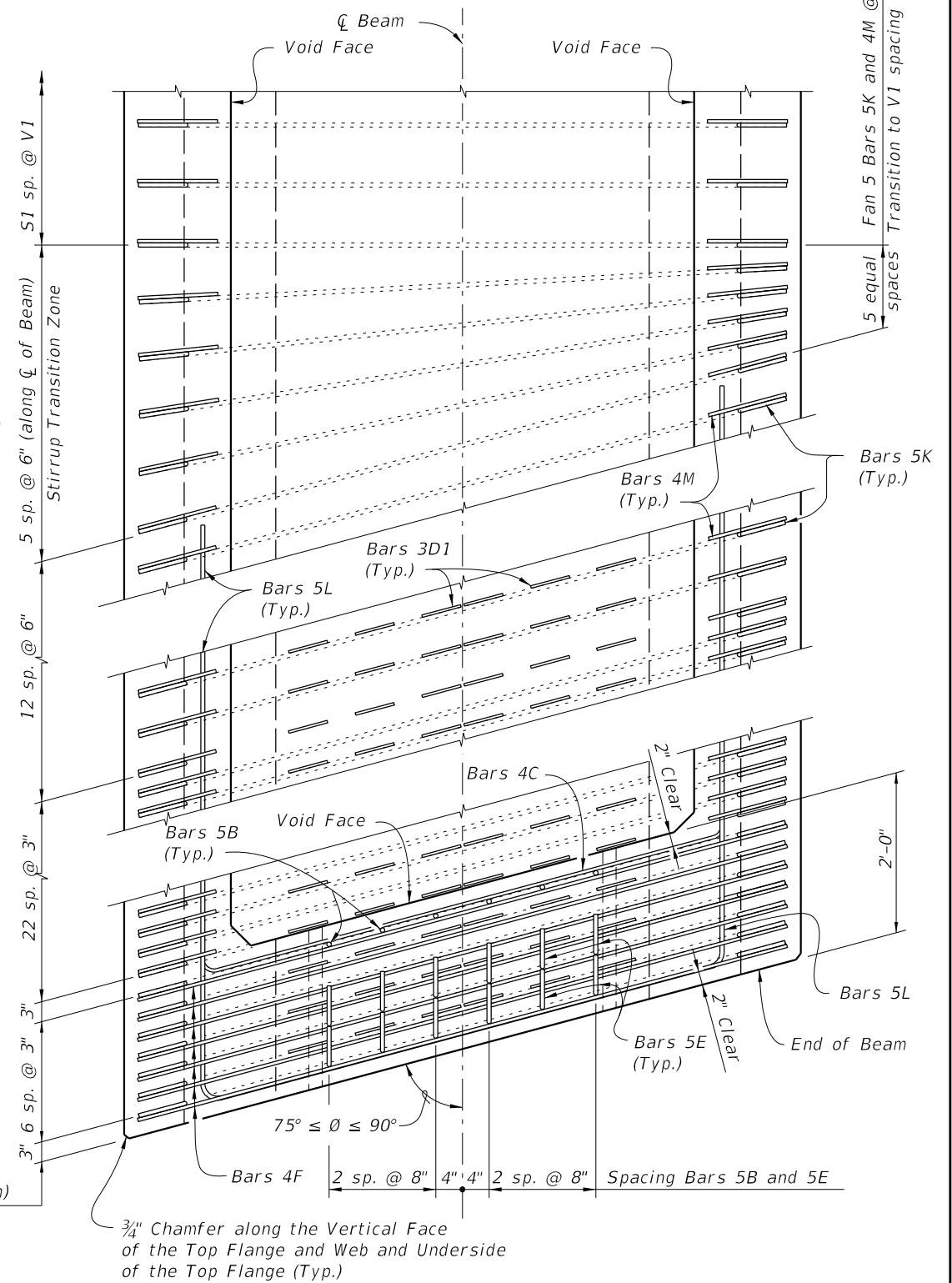
SECTION C-C

NOTES:

1. Drains shall be placed adjacent to each web at each beam end (four drains per beam). Drain Pipe shall be 2" Nominal Pipe Size, Schedule 80 PVC. Provide removable pipe plugs to prevent concrete entrance during beam casting. Plugs to be removed from the inside after casting. Galvanized screen wire shall cover the end of the pipe and bent down around the sides of the pipe, a minimum of 1" and secured prior to casting.
2. Concrete face may be sloped with a maximum 1:24 draft to facilitate formwork removal.



TOP VIEW OF END DIAPHRAGM
(Bars 3D1 And 3D2 Not Shown For Clarity)



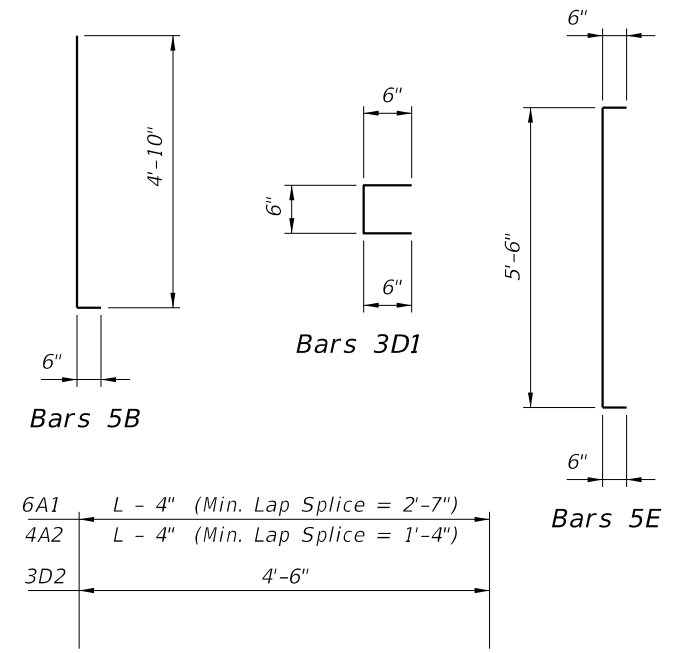
TOP VIEW OF SKEWED END DIAPHRAGM
AND STIRRUP TRANSITION ZONE
(Bars 3D2 Not Shown For Clarity)

12/17/2015 1:25:06 PM

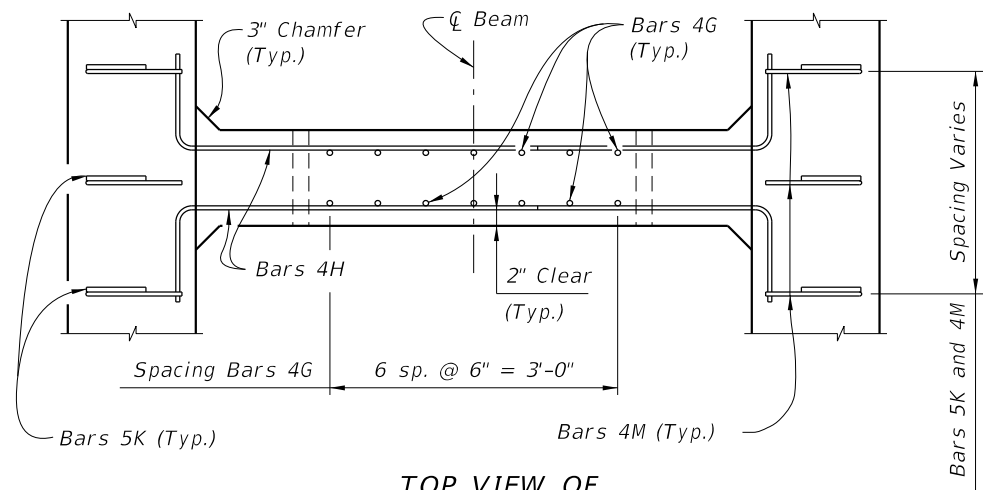
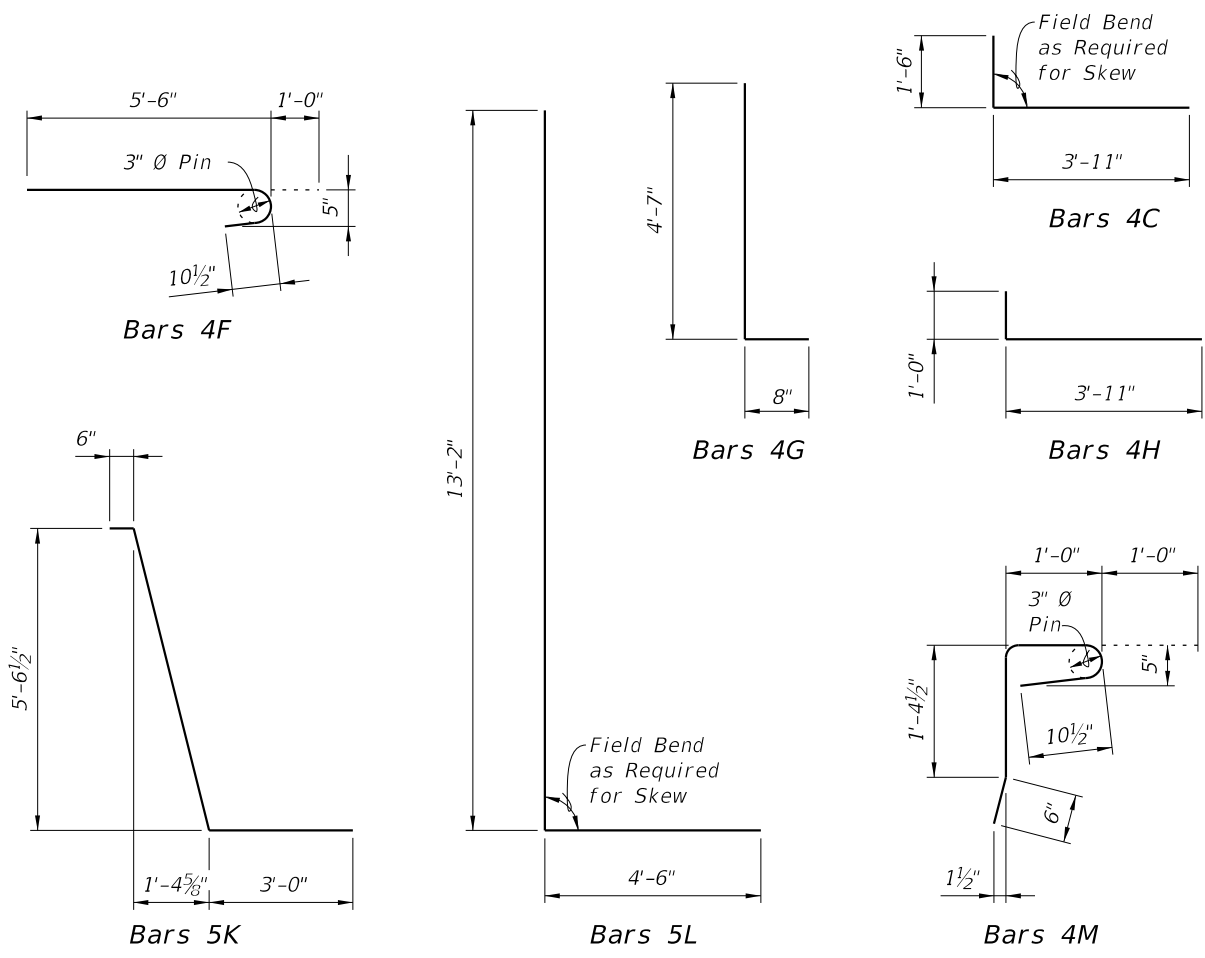
| | |
|---------------------------|--------------|
| LAST REVISION 07/01/05 | DESCRIPTION: |
|---------------------------|--------------|

BILL OF REINFORCING STEEL FOR ONE BEAM ONLY

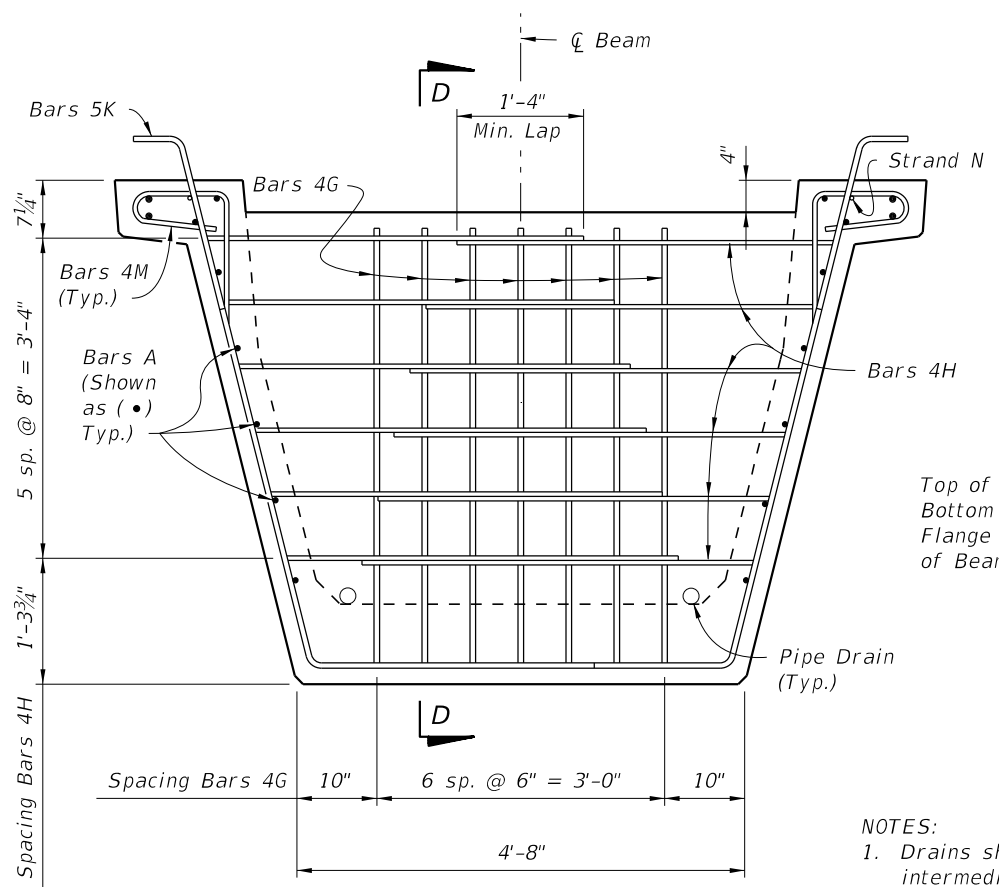
| MARK | SIZE | NO. REQD. | LENGTH |
|------|---------------|-----------|-------------|
| A1 | 6 | 4 | Dim. L - 4" |
| A2 | 4 | 12 | Dim. L - 4" |
| B | 5 | 12 | 5'-4" |
| C | 4 | 24 | 5'-5" |
| D1 | 3 | 204 | 1'-6" |
| D2 | 3 | 34 | 4'-6" |
| E | 5 | 24 | 6'-6" |
| F | 4 | 28 | 6'-6" |
| G | 4 | See Table | 5'-3" |
| H | 4 | See Table | 4'-11" |
| K | 5 | See Table | 9'-2 1/2" |
| L | 5 | 28 | 17'-8" |
| M | 4 | See Table | 3'-11" |
| N | 3/8" Ø Strand | 2 | Dim. L - 3" |



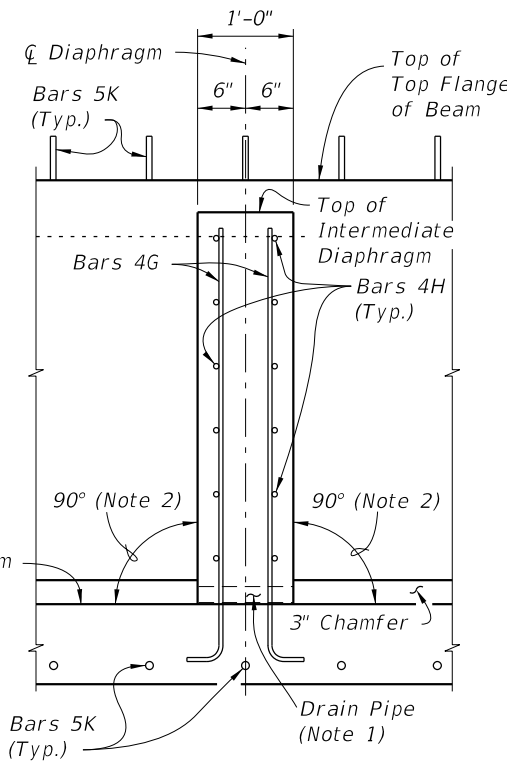
Bars 6A1, 4A2 and 3D2



TOP VIEW OF INTERMEDIATE DIAPHRAGM



SECTION AT INTERMEDIATE DIAPHRAGM

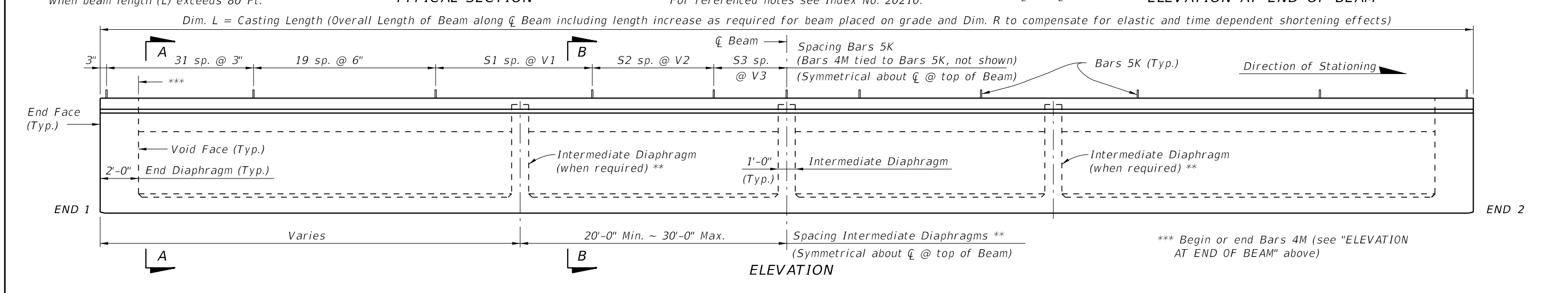
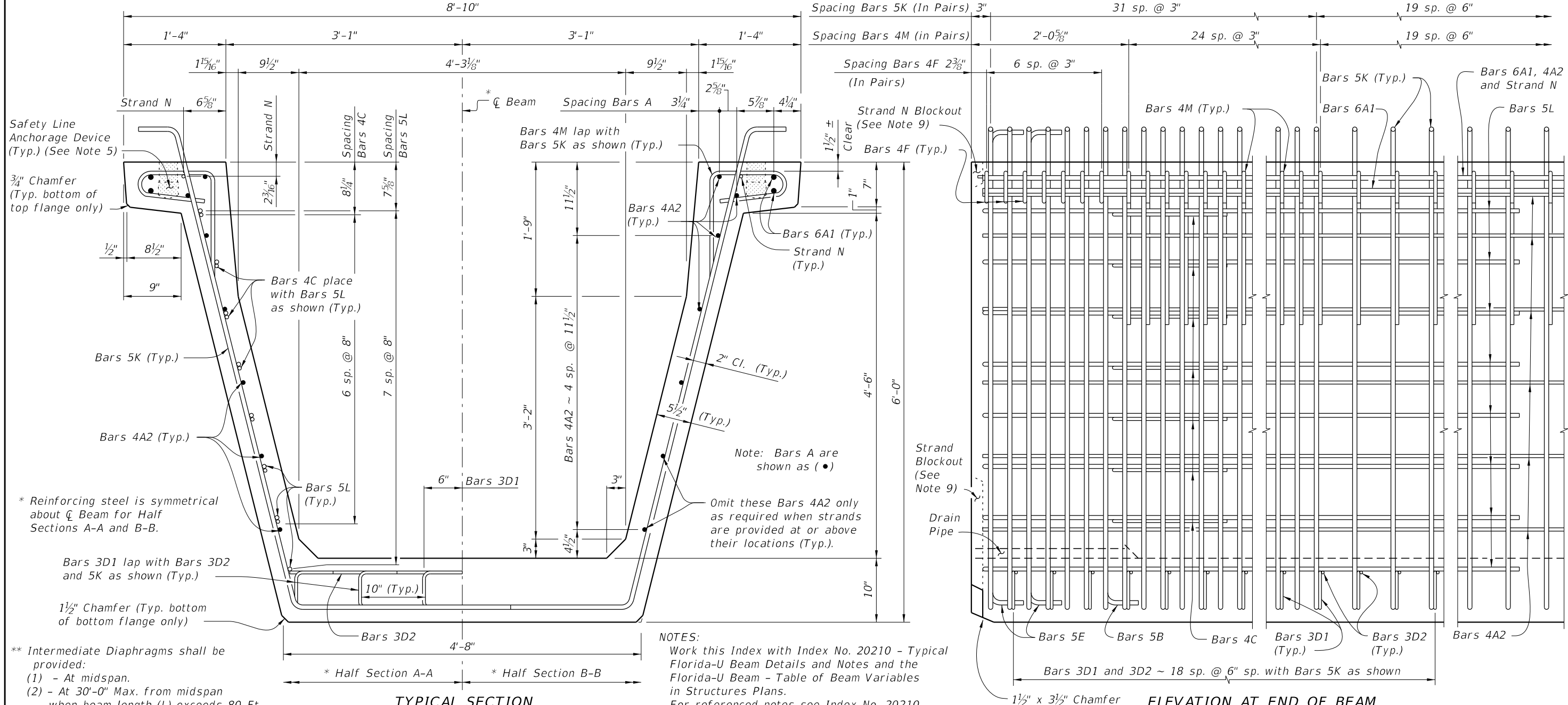


SECTION D-D

- NOTES:
1. Drains shall be placed adjacent to each web at each intermediate diaphragm (two drains per intermediate diaphragm). Drain Pipe shall be 2" Nominal Pipe Size, Schedule 80 PVC. Provide removable pipe plugs to prevent concrete entrance during beam casting. Plugs to be removed from the inside after casting.
 2. Concrete face may be sloped with a maximum 1:24 draft to facilitate formwork removal.
 3. Intermediate diaphragms must be cast and concrete release strength obtained prior to removing beam from casting bed.

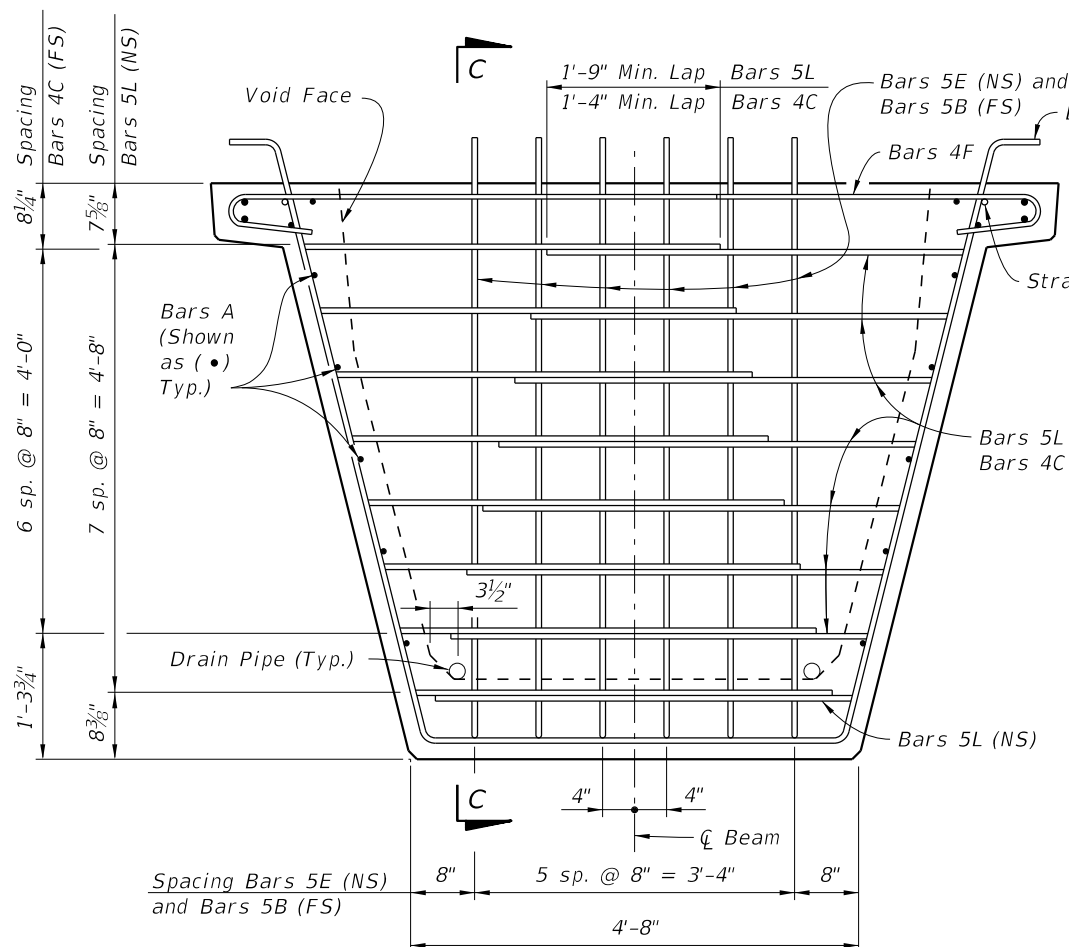
12/17/2015 1:25:07 PM

| LAST REVISION | DESCRIPTION: |
|---------------|--------------|
| 01/01/11 | |

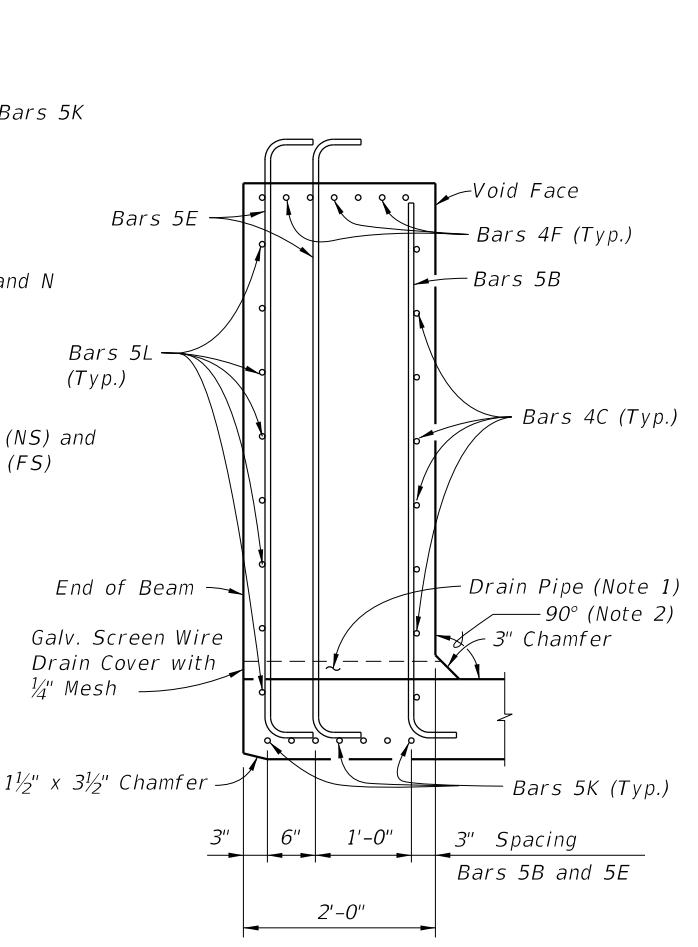


| | | | | | |
|---------------------------|--------------|--|---|---------------------------|----------------------------|
| LAST REVISION 07/01/12 | DESCRIPTION: | FY 2016-17 DESIGN STANDARDS | FLORIDA-U 72 BEAM - STANDARD DETAILS | INDEX NO. 20272 | SHEET NO. 1 of 3 |
|---------------------------|--------------|--|---|---------------------------|----------------------------|

12/21/2015 1:54:30 PM

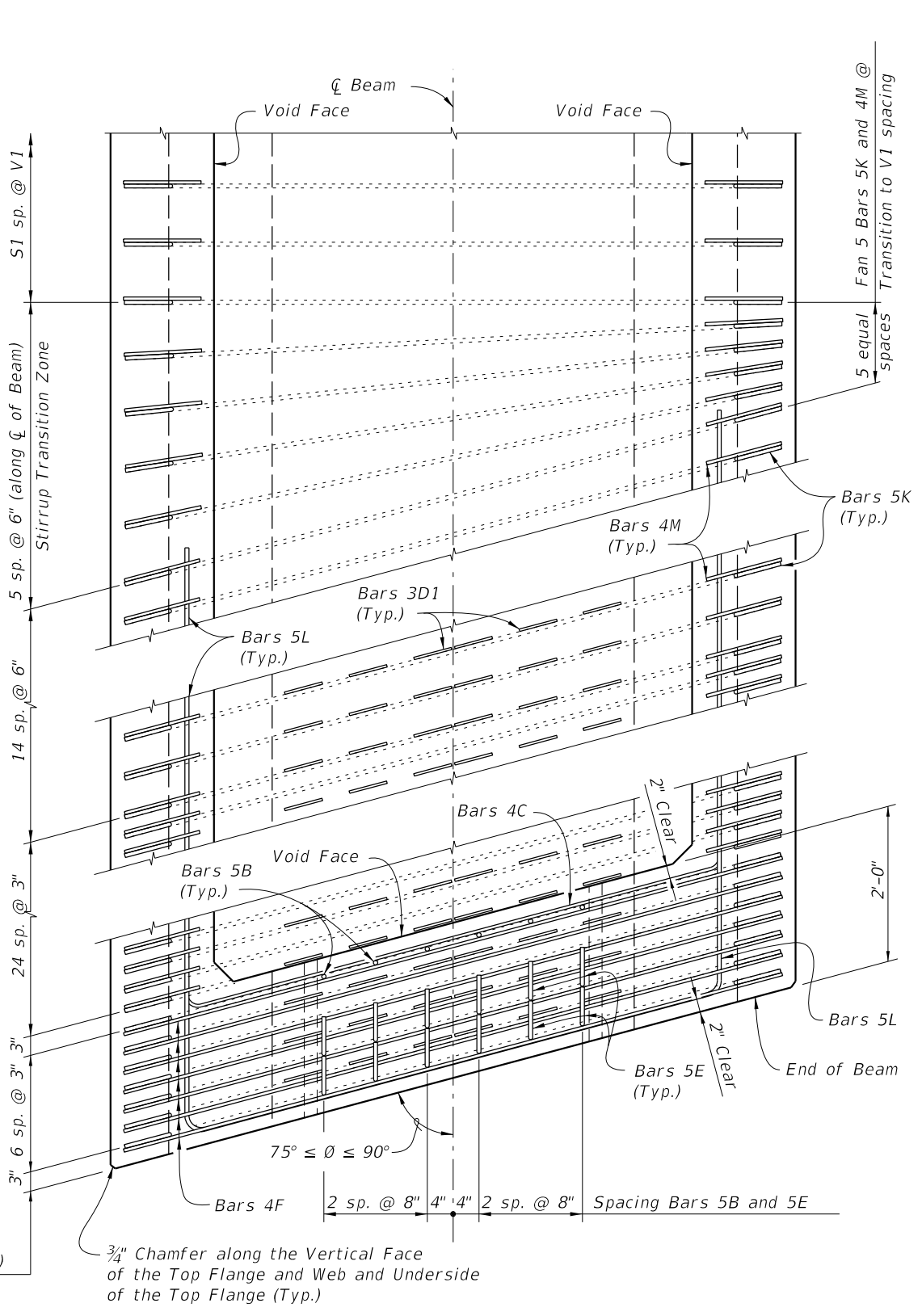


END VIEW AT END DIAPHRAGM

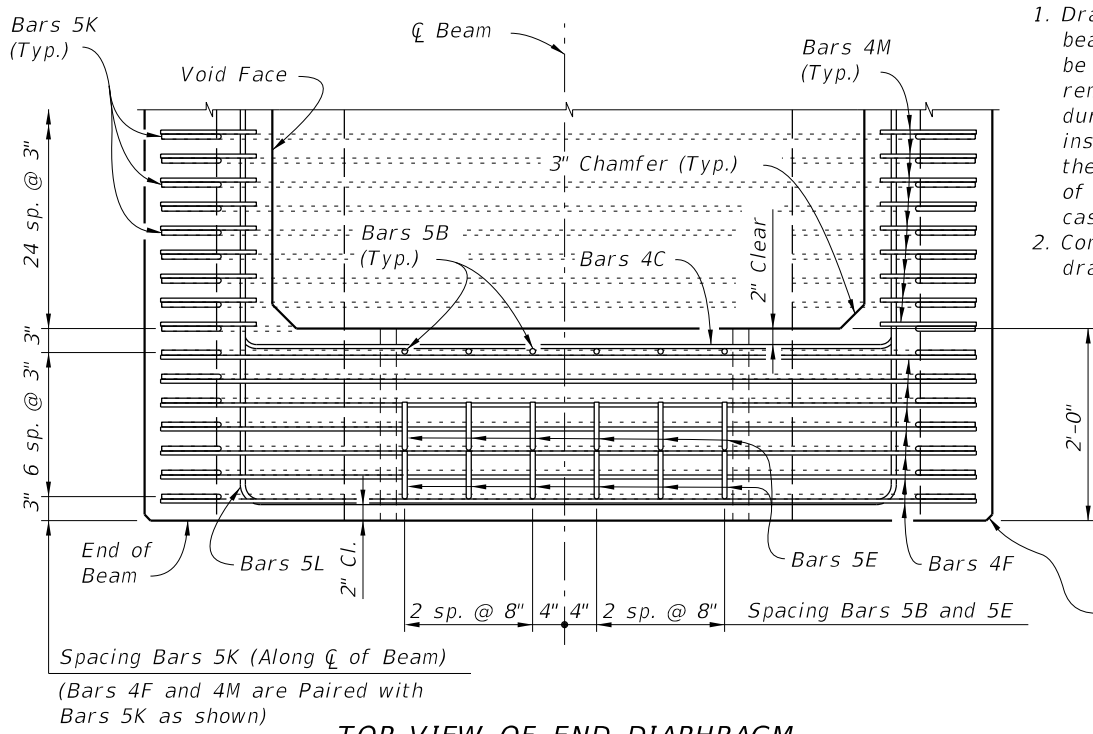


SECTION C-C

- NOTES:
1. Drains shall be placed adjacent to each web at each beam end (four drains per beam). Drain Pipe shall be 2" Nominal Pipe Size, Schedule 80 PVC. Provide removable pipe plugs to prevent concrete entrance during beam casting. Plugs to be removed from the inside after casting. Galvanized screen wire shall cover the end of the pipe and bent down around the sides of the pipe, a minimum of 1" and secured prior to casting.
 2. Concrete face may be sloped with a maximum 1:24 draft to facilitate formwork removal.



TOP VIEW OF SKEWED END DIAPHRAGM AND STIRRUP TRANSITION ZONE (Bars 3D2 Not Shown For Clarity)



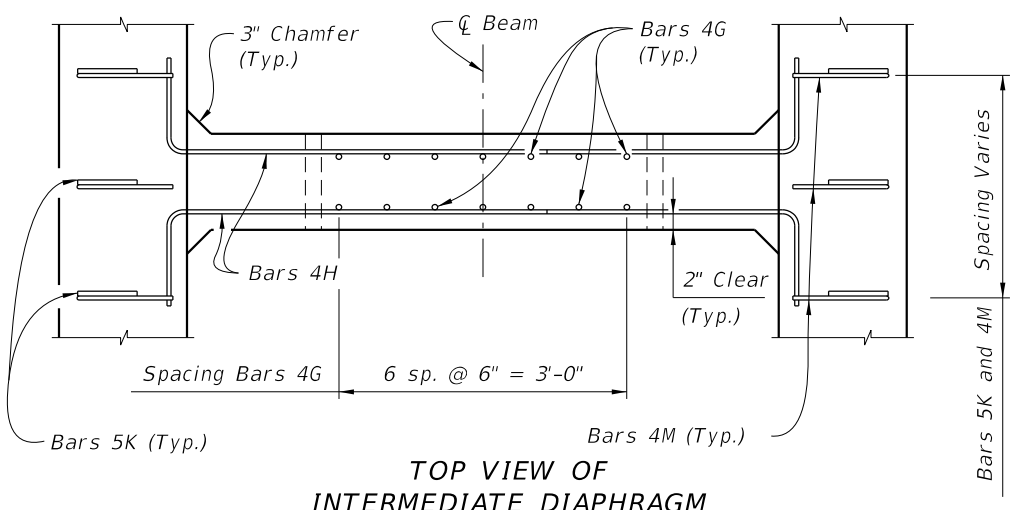
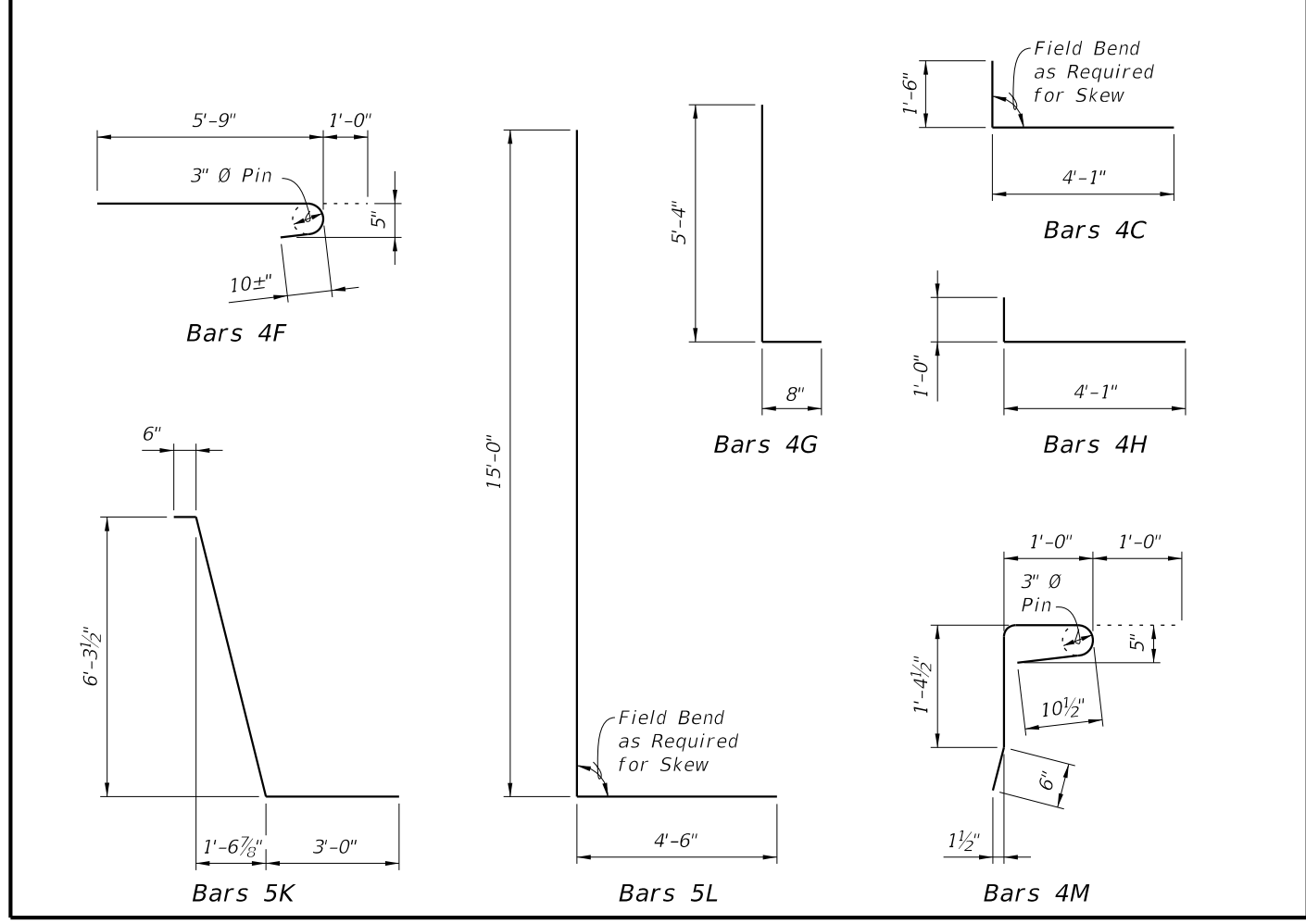
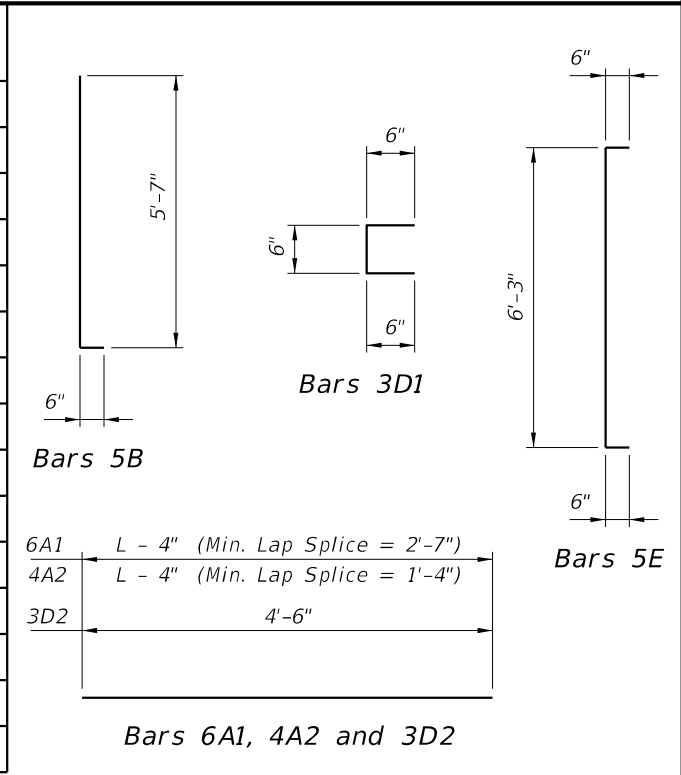
TOP VIEW OF END DIAPHRAGM (Bars 3D1 And 3D2 Not Shown For Clarity)

12/21/2015 1:54:31 PM

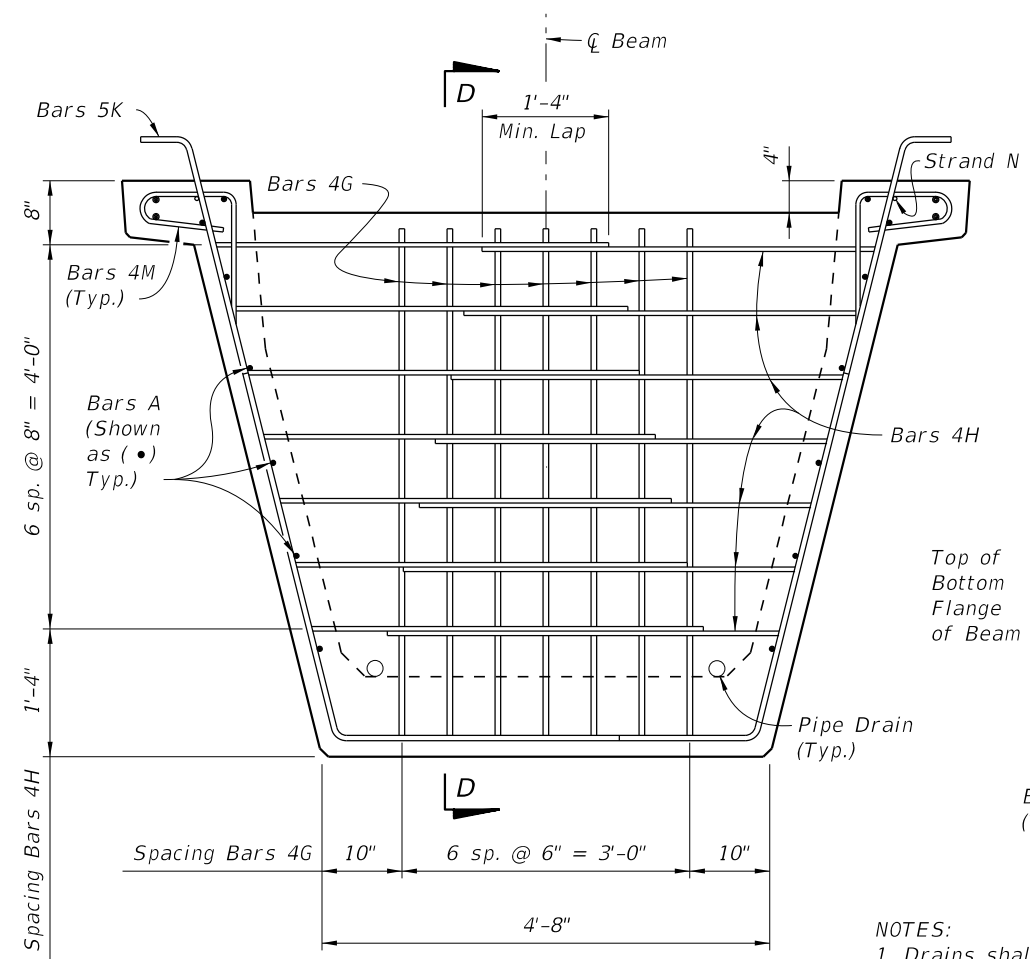
| | | | | | |
|---------------------------|--------------|--------------------------------|--------------------------------------|--------------------|---------------------|
| LAST REVISION 07/01/05 | DESCRIPTION: | FY 2016-17 DESIGN STANDARDS | FLORIDA-U 72 BEAM - STANDARD DETAILS | INDEX NO. 20272 | SHEET NO. 2 of 3 |
|---------------------------|--------------|--------------------------------|--------------------------------------|--------------------|---------------------|

BILL OF REINFORCING STEEL FOR ONE BEAM ONLY

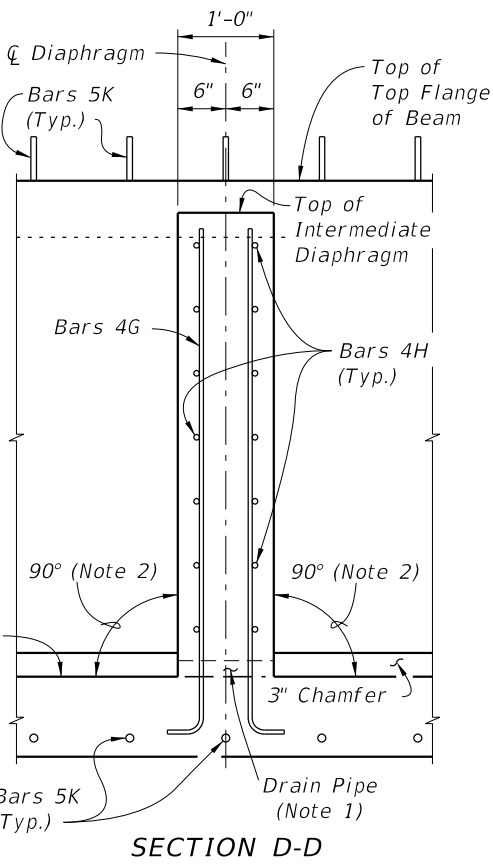
| MARK | SIZE | NO. REQD. | LENGTH |
|------|------------------------------------|-----------|-------------|
| A1 | 6 | 4 | Dim. L - 4" |
| A2 | 4 | 14 | Dim. L - 4" |
| B | 5 | 12 | 6'-1" |
| C | 4 | 28 | 5'-7" |
| D1 | 3 | 228 | 1'-6" |
| D2 | 3 | 38 | 4'-6" |
| E | 5 | 24 | 7'-3" |
| F | 4 | 28 | 6'-9" |
| G | 4 | See Table | 6'-0" |
| H | 4 | See Table | 5'-1" |
| K | 5 | See Table | 10'-0" |
| L | 5 | 32 | 19'-6" |
| M | 4 | See Table | 3'-11" |
| N | $\frac{3}{8}$ " \emptyset Strand | 2 | Dim. L - 3" |



TOP VIEW OF INTERMEDIATE DIAPHRAGM



SECTION AT INTERMEDIATE DIAPHRAGM

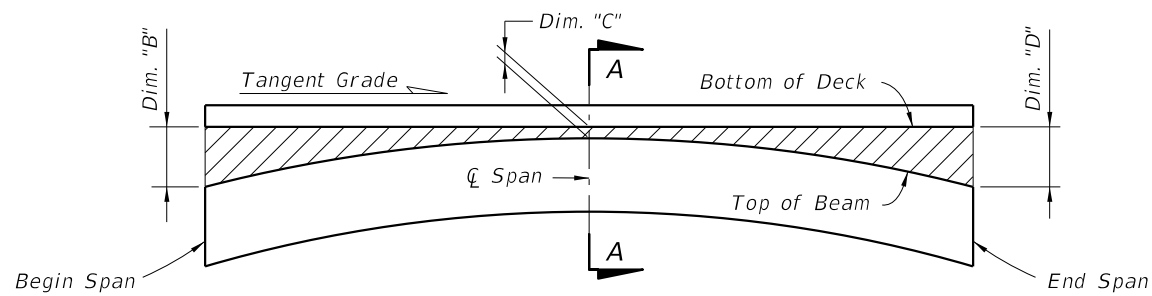


SECTION D-D

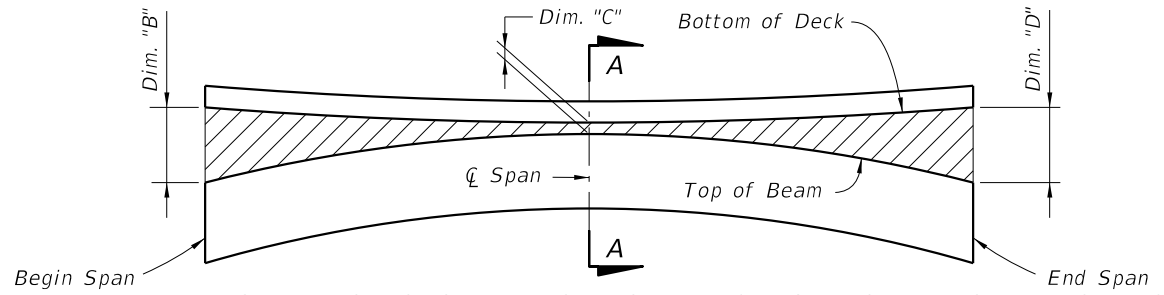
- NOTES:
1. Drains shall be placed adjacent to each web at each intermediate diaphragm (two drains per intermediate diaphragm). Drain Pipe shall be 2" Nominal Pipe Size, Schedule 80 PVC. Provide removable pipe plugs to prevent concrete entrance during beam casting. Plugs to be removed from the inside after casting.
 2. Concrete face may be sloped with a maximum 1:24 draft to facilitate formwork removal.
 3. Intermediate diaphragms must be cast and concrete release strength obtained prior to removing beam from casting bed.

12/21/2015 1:54:31 PM

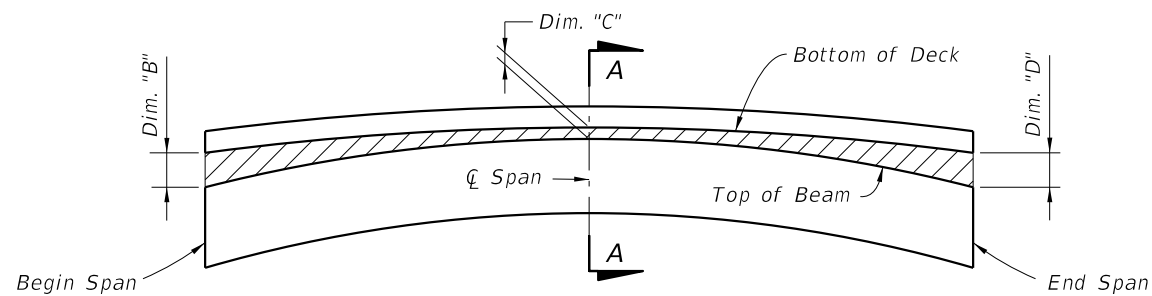
| LAST REVISION | DESCRIPTION: |
|---------------|--------------|
| 07/01/05 | |



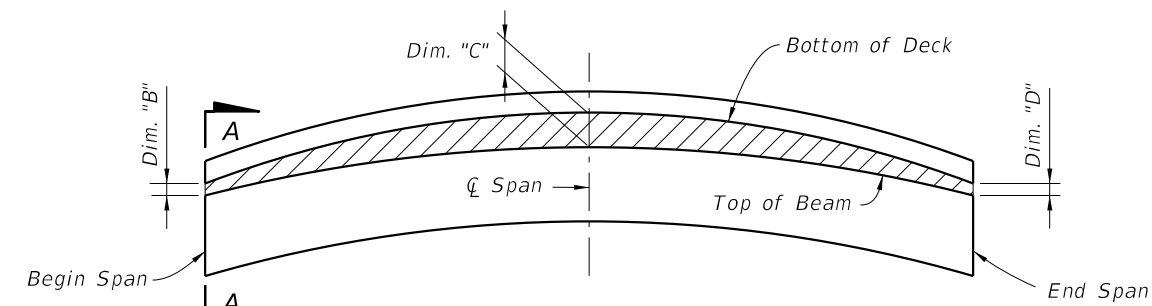
**BUILD-UP DIAGRAM FOR TANGENT SPANS
(ALONG C FLANGE) (CASE 1)**



**BUILD-UP DIAGRAM FOR SAG VERTICAL CURVE & HORIZONTAL CURVE SPANS
(ALONG C FLANGE) (CASE 2)**



**BUILD-UP DIAGRAM FOR CREST VERTICAL CURVE SPANS
- CONTROL AT C SPAN
(ALONG C FLANGE) (CASE 3)**

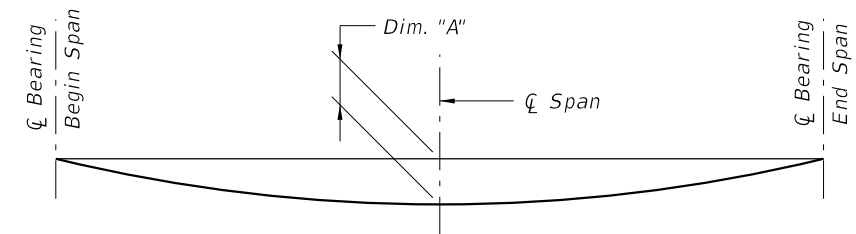


**BUILD-UP DIAGRAM FOR CREST VERTICAL CURVE SPANS
- CONTROL AT BEGIN OR END SPAN
(ALONG C FLANGE) (CASE 4)**

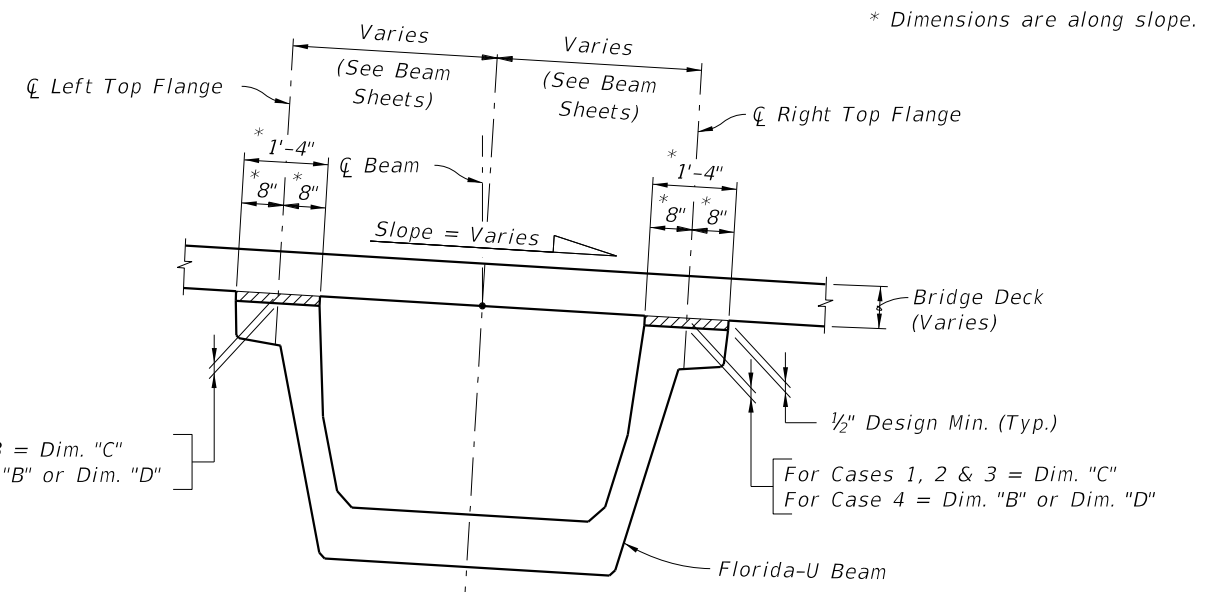
BEAM CAMBER AND BUILD-UP NOTES:

The build-up values given in the Data Table* are based on theoretical beam cambers. The Contractor shall monitor beam cambers for the purpose of predicting camber values at the time of the deck pour. If the predicted cambers based on field measurements differ more than +/- 1/2" from the theoretical "Net Beam Camber @ 120 Days" shown in the Data Table*, obtain approval from the Engineer to modify the build-up dimensions as required. When the measured beam cambers create a conflict with the bottom mat of deck steel, notify the Engineer a minimum of 21 days prior to casting.

Dim. "A" includes the weight of the Stay-In-Place Formwork.



**DEAD LOAD DEFLECTION DIAGRAM
(ALONG C BEAM)**



For Cases 1, 2 & 3 = Dim. "C"
For Case 4 = Dim. "B" or Dim. "D"

For Cases 1, 2 & 3 = Dim. "C"
For Case 4 = Dim. "B" or Dim. "D"

* NOTE:
Work this Index with the Build-up and Deflection
Data Table for Florida-U Beams in Structures Plans.

**SECTION A-A
BUILD-UP OVER BEAMS
(LOOKING AHEAD STATION)**

12/21/2015 3:17:49 PM

| | | | | | | |
|---------------------------|----------|--------------|--|---|---------------------------|----------------------------|
| LAST REVISION 07/01/15 | REVISION | DESCRIPTION: | FY 2016-17 DESIGN STANDARDS | BUILD-UP & DEFLECTION DATA FOR FLORIDA-U BEAMS | INDEX NO. 20299 | SHEET NO. 1 of 1 |
|---------------------------|----------|--------------|--|---|---------------------------|----------------------------|