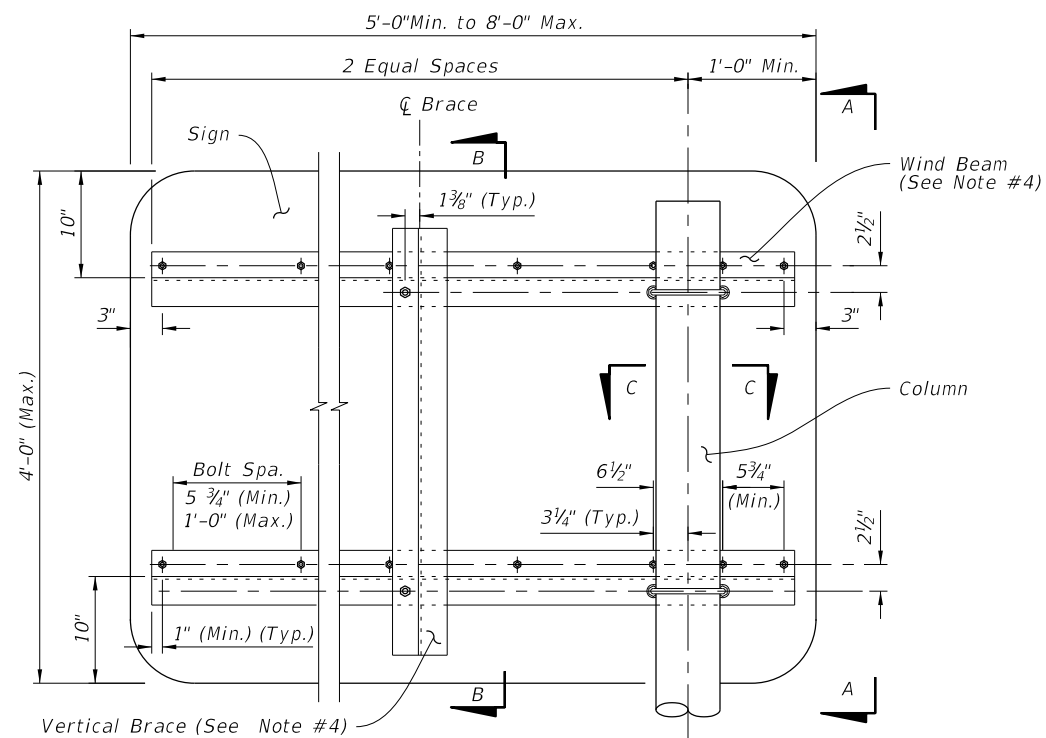


GENERAL NOTES:

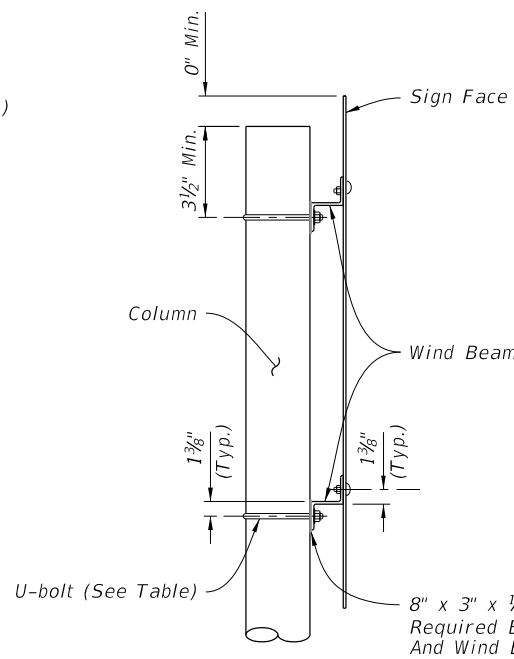
1. Refer to FDOT Design Standards Index No. 11860 for additional notes, assembly of base connection and material specifications not given in this Index.
2. Sleeve Bolts: ASTM A-307, 1/2" Ø galvanized steel bolt (with lock nuts) or ASTM B-211 Alloy 2024-T4 or 6061-T6.
3. Place galvanized steel shims between the Sleeve and Post to obtain a tight fit between the Post and Sleeve.
4. Wind Beam and Vertical Brace: Aluminum Z 3" x 2 1/16" x 3.38. Install Vertical Brace on 7'-0" to 8'-0" signs only.
5. Provide 2- 0.0149" Thick (28 gauge) and 2- 0.0329" Thick (21 gauge) Brass Shims Per Post. Used brass shims to plumb the post.

| COLUMN SELECTION AND FOOTING SIZE TABLE | | | | | | | |
|---|----------------------------------|----------------------------------|-----------------|-----------------------------|----------------|----------------------|---------------|
| Sign Size Height x Length | Column Size Diameter x Thickness | Sleeve Size Diameter x Thickness | U-bolt Diameter | Base Bolt Diameter x Length | Torque lbs./in | Base Plate Thickness | Footing Depth |
| 4'-0" x 5'-0" | 4.5" x 0.337" (Schedule 80) | 5.563" x 0.5" (Schedule 120) | 1/2" | 5/8" x 3 1/2" | 270 ± 45 | 1" | 6'-0" |
| 4'-0" x 6'-0" | | | | | | | |
| 4'-0" x 7'-0" | 5.563" x 0.375" (Schedule 80) | 6.625" x 0.432" (Schedule 80) | 5/8" | 3/4" x 4" | 445 ± 75 | 1 1/8" | 6'-6" |
| 4'-0" x 8'-0" | | | | | | | 7'-0" |

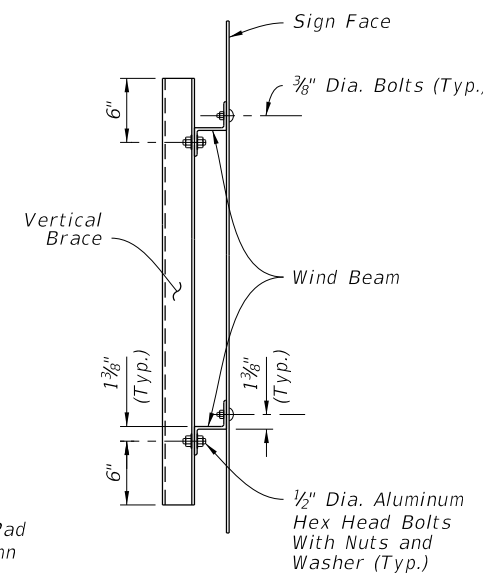
TYPICAL SECTION



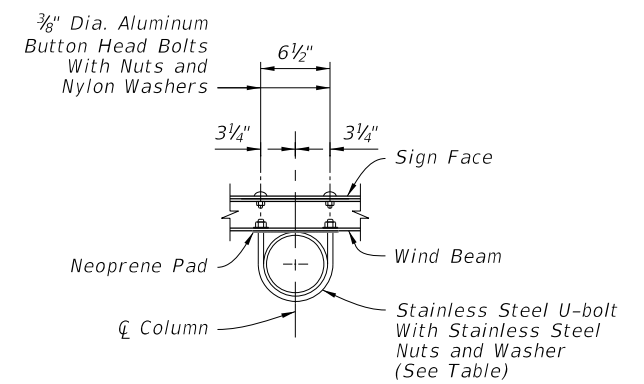
SIGN DETAIL



SECTION A-A



SECTION B-B



SECTION C-C

11/30/2015 2:19:09 PM

| | | | | | | |
|---------------------------|----------|--------------|------------------------------------|---|---------------------------|----------------------------|
| LAST REVISION 07/01/15 | REVISION | DESCRIPTION: | FY 2016-17 DESIGN STANDARDS | SINGLE COLUMN CANTILEVER GROUND MOUNTED SIGN | INDEX NO. 11861 | SHEET NO. 1 of 2 |
|---------------------------|----------|--------------|------------------------------------|---|---------------------------|----------------------------|

