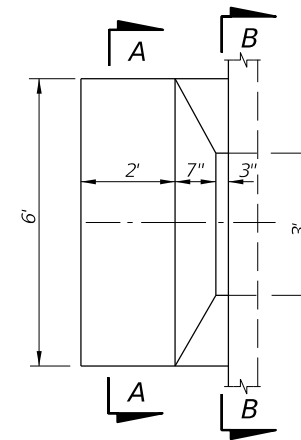
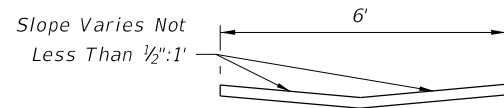


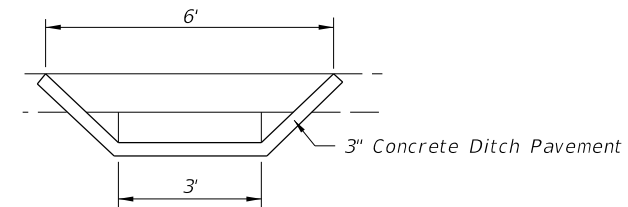
LONGITUDINAL SECTION



PLAN




SECTION AA



SECTION BB

SAFETY MODIFICATION FOR INLETS IN BOX CULVERTS

12/3/2015 11:19:31 AM

LAST REVISION 07/01/07	REVISION DESCRIPTION:	 FY 2016-17 DESIGN STANDARDS	SAFETY MODIFICATIONS FOR INLET IN BOX CULVERTS	INDEX NO. 293	SHEET NO. 1 of 1
---------------------------	-----------------------	--	---	------------------	---------------------