

Index 20512 Bearing Plates (Type 2)- Prestressed Florida-I and AASHTO Type II Beams

Design Criteria

AASHTO LRFD Bridge Design Specifications, 6th Edition; **Structures Design Guidelines (SDG)**

Design Assumptions and Limitations

This standard is intended for use with squared-end Florida-I and AASHTO Type II Beams with or without end diaphragms.

This standard contains generic details and notes for beveled and embedded bearing plates for prestressed concrete Florida-I and AASHTO Type II Beams with or without skewed support conditions.

Use this standard with Indexes 20010, 20036, 20045, 20054, 20063, 20072, 20078, 20084, 20096, 20120 and 20510.

Embedded Bearing Plates A are required for all Florida-I Beams (FIBs). Embedded Bearing Plates A and Beveled Bearing Plates B are required for beams on grades greater than 2%.

Plan Content Requirements

In the Structures Plans:

Bearing seats (pedestals) may be finished level for beam grades less than 0.5%. Use Embedded Bearing Plates A but do not use Beveled Bearing Plates B.

For beam grades between 0.5% and 2%, show the bearing seats (pedestals) to be finished parallel to the beam grade with no allowance for beam camber or deflection when less than the limits specified in **SDG** 6.5.1. Use Embedded Bearing Plates A for FIBs but do not use Beveled Bearing Plates B.

For beam grades greater than 2%, show the bearing seats (pedestals) to be finished level and use Bearing Plates A and B. Refer to **SDG** 6.5.1 for consideration of beam camber and deflection effects.

Also see instructions for Index 20510.

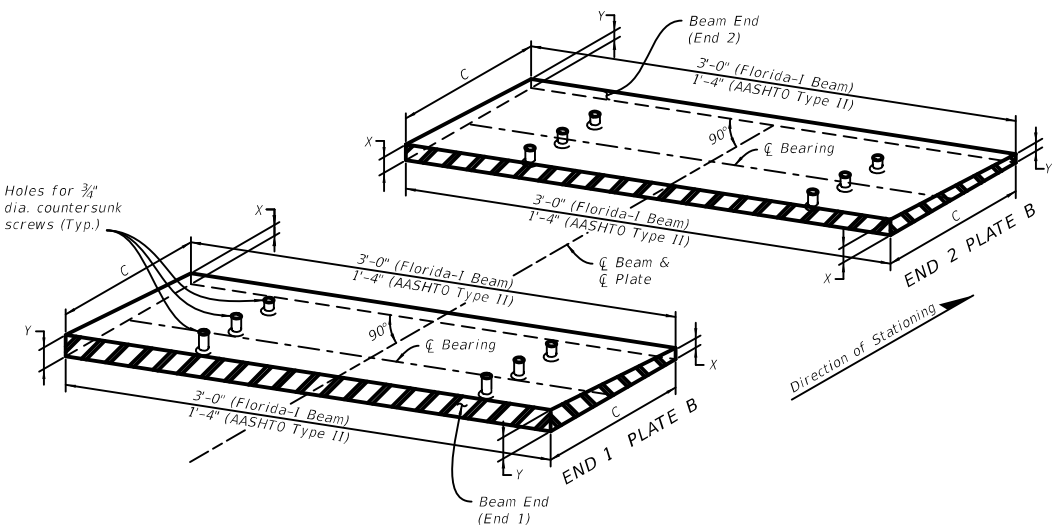
Complete the following "BEARING PLATE DATA TABLE" and include it in the plans. Fill in the table to correspond with data on the appropriate "TABLE OF BEAM VARIABLES" using inch units for Beveled Plate dimensions 'X' and 'Y' rounded to 1/16th of an inch. If Beveled Bearing Plates B are not required, fill in the corresponding columns with "N/A". See [Introduction I.3](#) for more information regarding use of Data Tables.

Use the following equations to determine the Beveled Bearing Plate B thicknesses for "PLAN VIEW CASES" and "END ELEVATION CONDITIONS" corresponding to those shown on Index 20010 or 20120. The Slope parameter in these equations requires decimal units and correct sign convention:

END 1	END 2
(I) PLAN VIEW CASE 1:	
(a) END ELEVATION CONDITION 1 or 2 (Positive Slope)	
$X = 0.5" + (C) \times \text{Slope}$	$X = 0.5"$
$Y = 0.5"$	$Y = 0.5" + (C) \times \text{Slope}$
(b) END ELEVATION CONDITION 1 or 3 (Negative Slope)	
$X = 0.5"$	$X = 0.5" - (C) \times \text{Slope}$
$Y = 0.5" - (C) \times \text{Slope}$	$Y = 0.5"$

BEARING PLATE DATA TABLE - TYPE 2							Table Date 7-01-13			
GENERAL BEARING PLATE DATA							BEVELED PLATE REQUIRED (Yes/No)	BEVELED PLATE DIMENSIONS (PLATE B) (inches)		
BRG. PLATE MARK **	SPAN NO(s).	BEAM NO(s).	PAD TYPE	BEAM END	PLAN VIEW CASE	SLOPE (%) *		C	X	Y

NOTES:
 See Index No. 20512 for additional notes and details.
 Embedded Bearing Plate A dimensions are 1/2" x 1'-1 1/2" x 3'-0" for Florida-I Beams or 1/2" x 1'-1 1/2" x 1'-4" for AASHTO Type II Beams.
 * Slope measured along ϕ of Beam at ϕ of Bearing.
 ** See "TABLE OF BEAM VARIABLES" and Index No. 20010 for Florida-I Beams or Index No. 20120 for AASHTO Type II Beams.



ISOMETRIC VIEW OF BEVELED BEARING PLATES (TYPE 2) FOR FLORIDA I-BEAMS (AASHTO TYPE II BEAMS SIMILAR)

Payment

The cost of beveled and embedded bearing plates is incidental to the cost of the prestressed beams they are used with. No separate payment is made.

Example

A design calls for FIBs with Type F Bearing Pads. The Grade along the PGL and centerline of the beam is negative 2.5% and slope due to camber and deflection is less than 0.0125 radians. The span has no skew.

Because the slope is greater than the absolute value of 2%, beveled bearing plates are required. From Index 20510 a Type F Bearing Pad is 10" x 2'-8", and the Beveled Bearing Plate (Plate B) has dimensions C=1'-0" and D=3'-0". The bridge has a 0 degree skew ($\Phi=90^\circ$); by Index 20010, use Case 1, Condition 3.

End 1	End 2
W=0.5"	$W=0.5"-(12)*(-0.025) = 0.8"$
$Y = 0.5"-(12)*(-0.025) = 0.8 "$	Y=0.5"

Complete the Table with location information and the following from the example:

BEARING PLATE DATA TABLE - TYPE 2								Table Date 7-01-13		
GENERAL BEARING PLATE DATA							BEVELED PLATE REQUIRED (Yes/No)	BEVELED PLATE DIMENSIONS (PLATE B) (inches)		
BRG. PLATE MARK **	SPAN NO(s).	BEAM NO(s).	PAD TYPE	BEAM END	PLAN VIEW CASE	SLOPE (%) *		C	X	Y
			F	1	1	-2.5	Yes	12	1/2	13/16
			F	2	1	-2.5	Yes	12	1/2	13/16

NOTES:
 See Index No. 20512 for additional notes and details.
 Embedded Bearing Plate A dimensions are 1/2" x 1'-1 1/2" x 3'-0" for Florida-I Beams or 1/2" x 1'-1 1/2" x 1'-4" for AASHTO Type II Beams.
 * Slope measured along ζ of Beam at ζ of Bearing.
 ** See "TABLE OF BEAM VARIABLES" and Index No. 20010 for Florida-I Beams or Index No. 20120 for AASHTO Type II Beams.