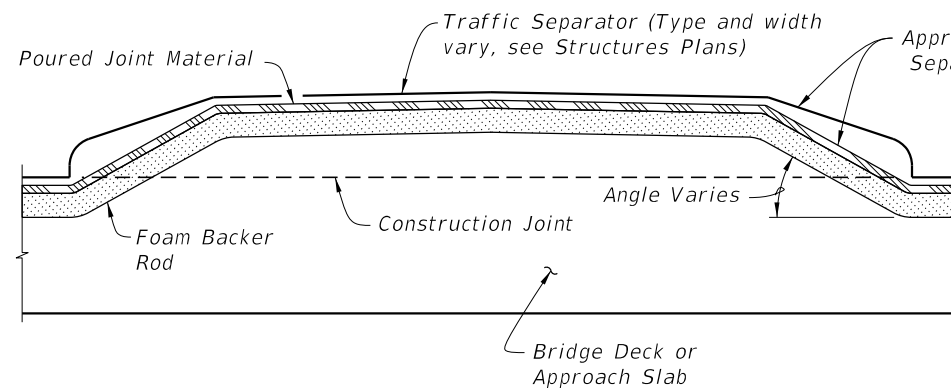
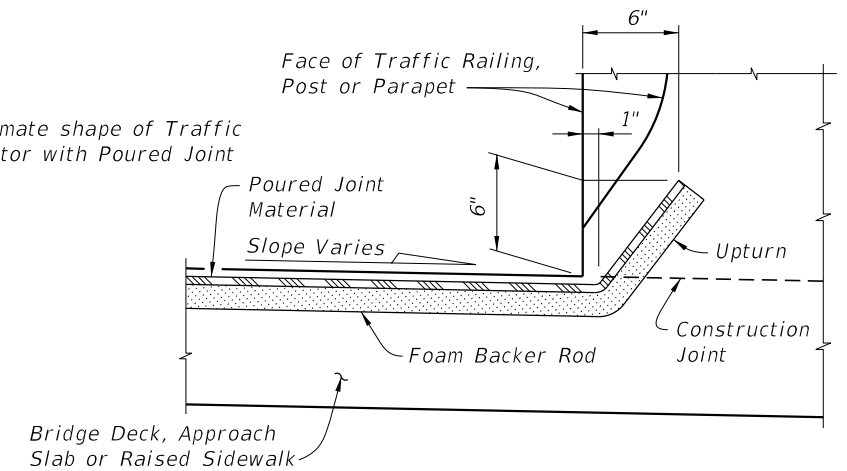


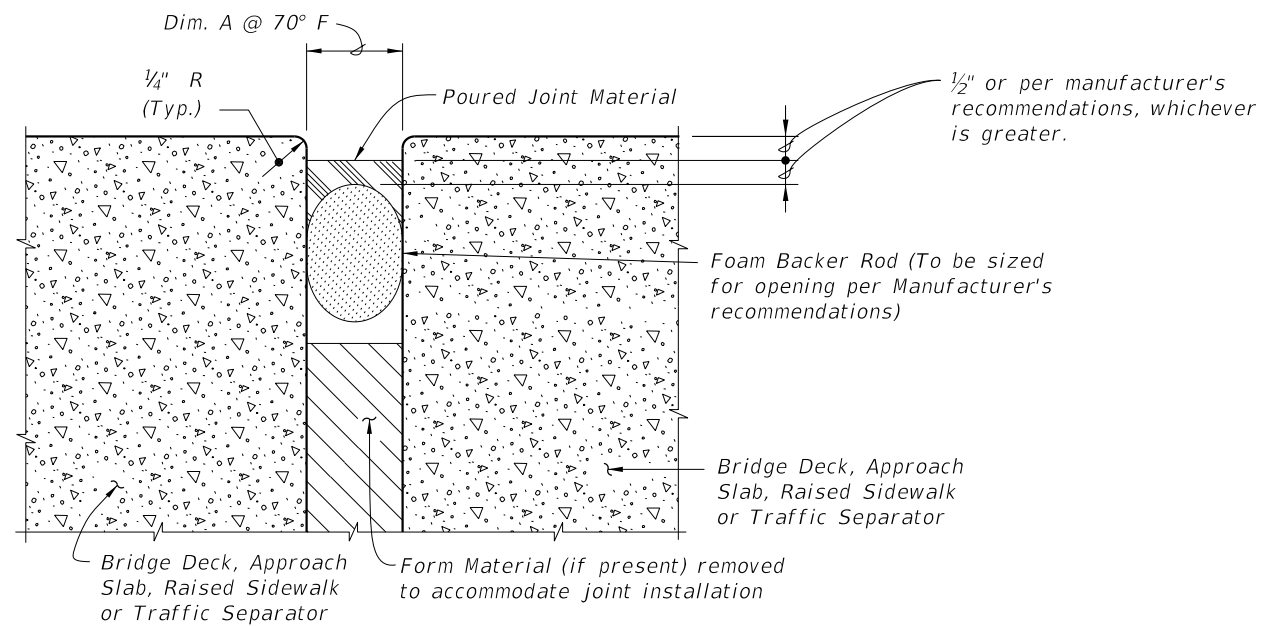
PARTIAL SECTION ALONG Q̄ JOINT  
JOINT TREATMENT AT HIGH SIDE OF  
DECK WITH SLOPES 1% OR GREATER



PARTIAL SECTION ALONG Q̄ JOINT,  
JOINT TREATMENT AT TRAFFIC SEPARATOR



PARTIAL SECTION ALONG Q̄ JOINT  
JOINT TREATMENT AT LOW SIDE OF DECK OR  
HIGH SIDE OF DECK WITH SLOPES < 1%



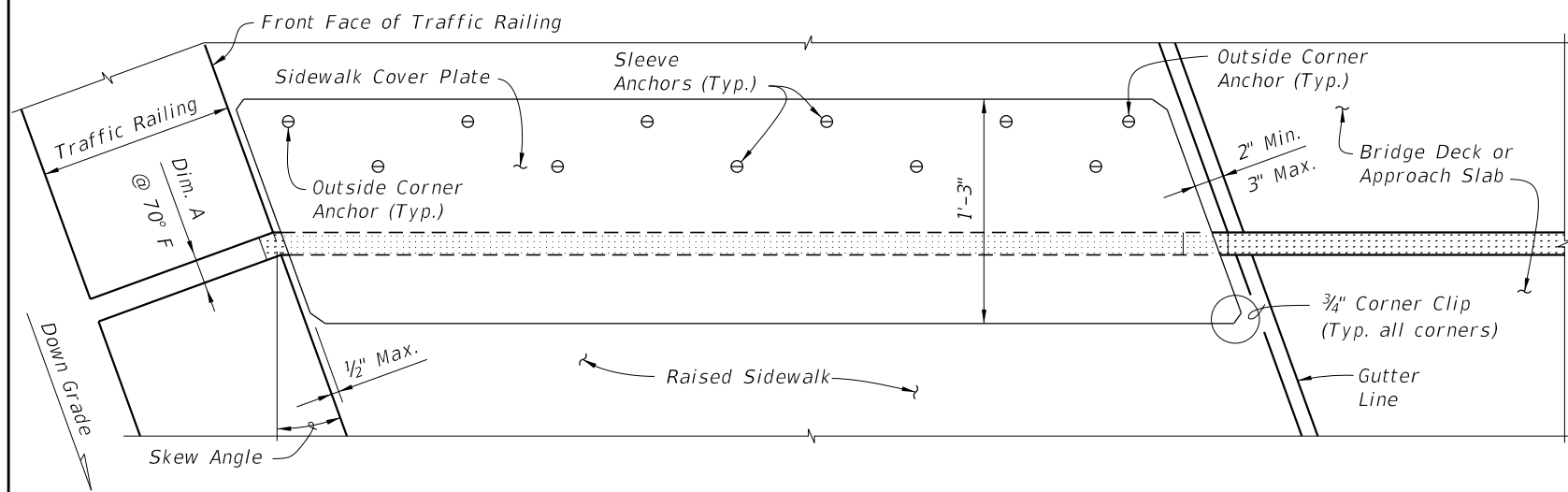
TYPICAL SECTION THRU JOINT

GENERAL NOTES:

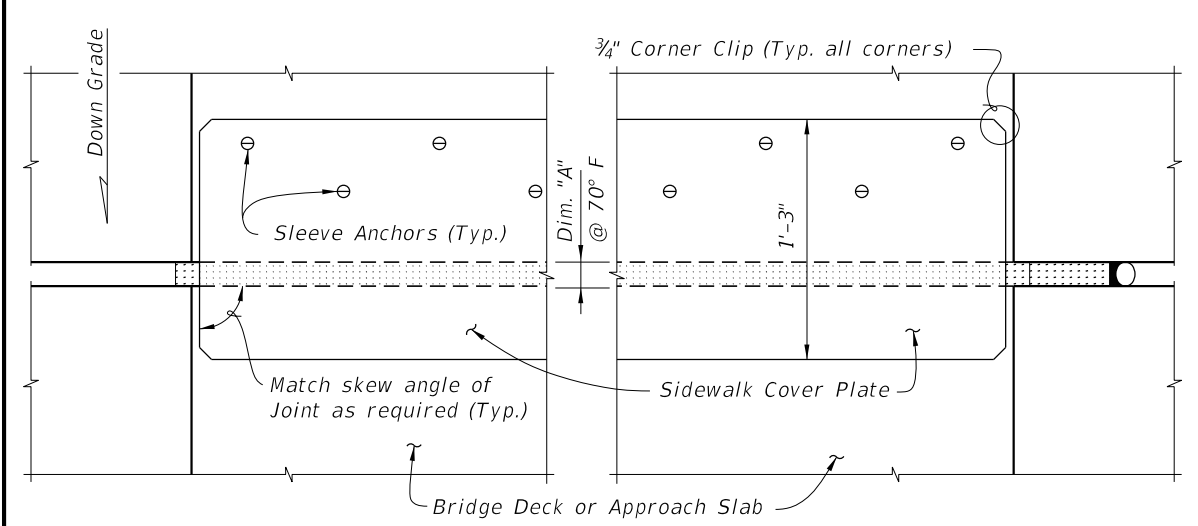
1. Furnish and install Poured Joint With Backer Rod Expansion Joint Systems in accordance with Specification Sections 458 and 932 using Type D silicone sealant material.
2. Refer to the Structures Plans, Poured Expansion Joint Data Table for Dim. A @ 70° F.

6/24/2015 7:23:58 AM

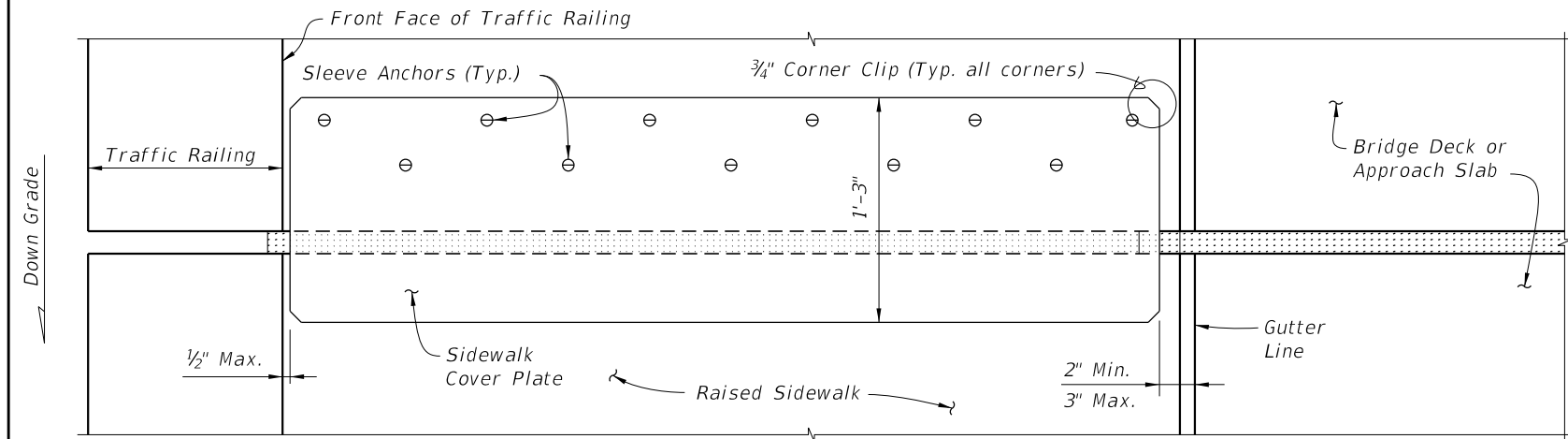
LAST REVISION 07/01/14	REVISION	DESCRIPTION:
---------------------------	----------	--------------



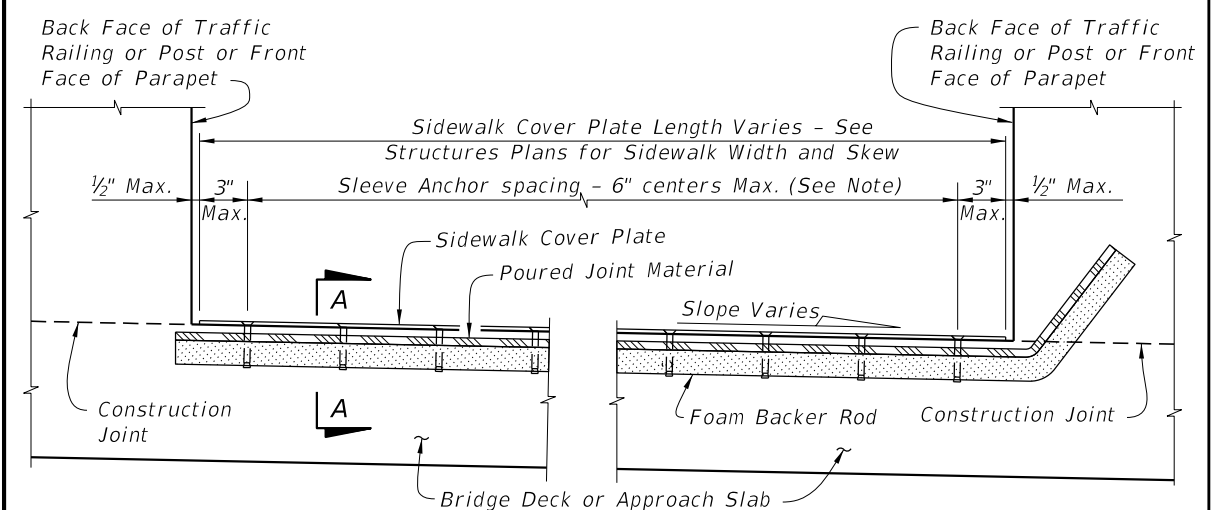
PARTIAL PLAN VIEW OF SKEWED JOINTS



PARTIAL PLAN VIEW

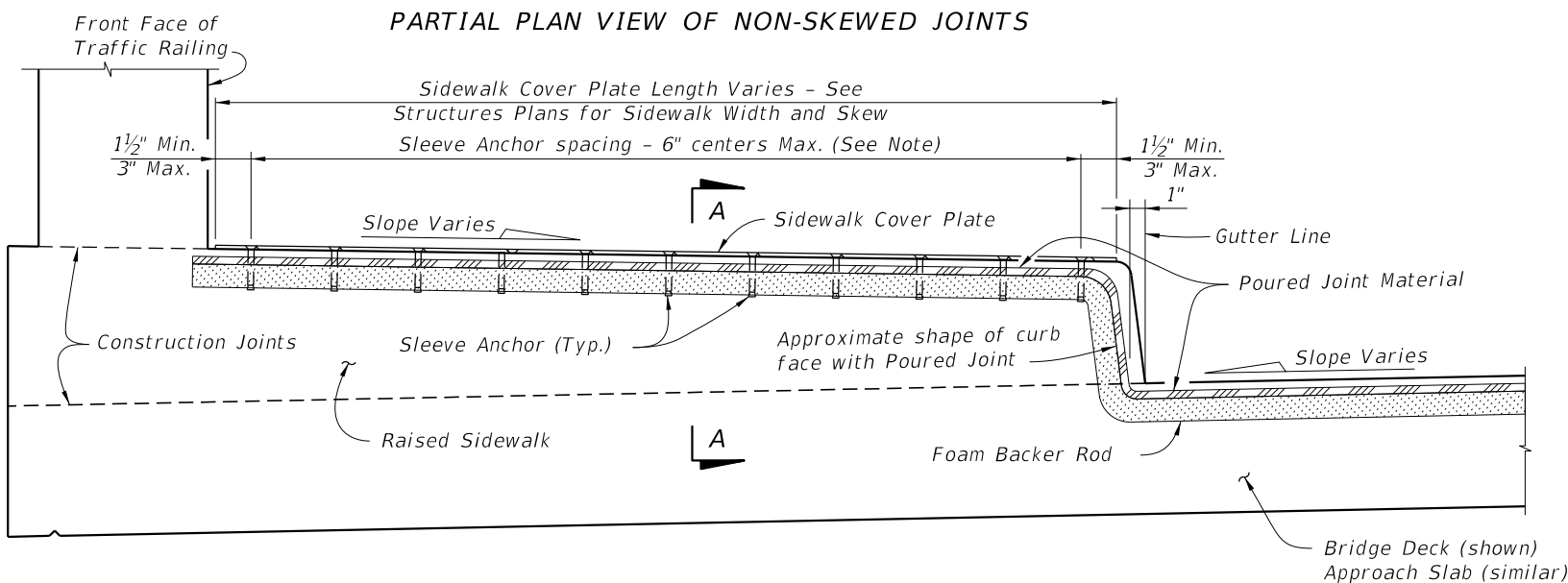


PARTIAL PLAN VIEW OF NON-SKEWED JOINTS



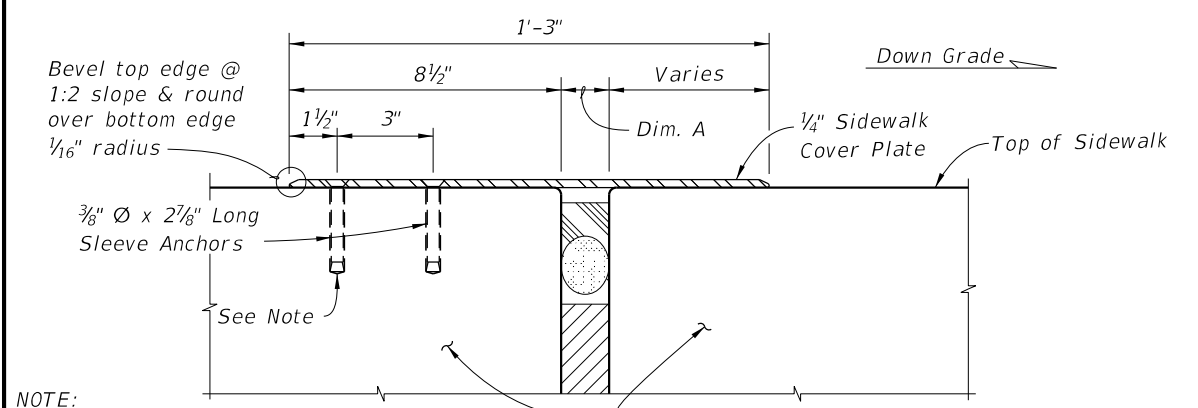
PARTIAL SECTION ALONG Q-JOINT

FLUSH SIDEWALK DETAIL



PARTIAL SECTION ALONG Q-JOINT

RAISED SIDEWALK DETAIL



NOTE: Sleeve Anchors are required at the two outside corners of the Sidewalk Cover Plate. Space Sleeve Anchors uniformly between the corner anchors.

SECTION A-A

6/24/2015 7:23:58 AM

LAST REVISION 07/01/13	REVISION	DESCRIPTION:	 <b>2016</b> DESIGN STANDARDS	<b>POURED JOINT WITH BACKER ROD</b> <b>EXPANSION JOINT SYSTEM</b>	INDEX NO. <b>21110</b>	SHEET NO. <b>2 of 2</b>
---------------------------	----------	--------------	-------------------------------------	--	---------------------------	----------------------------