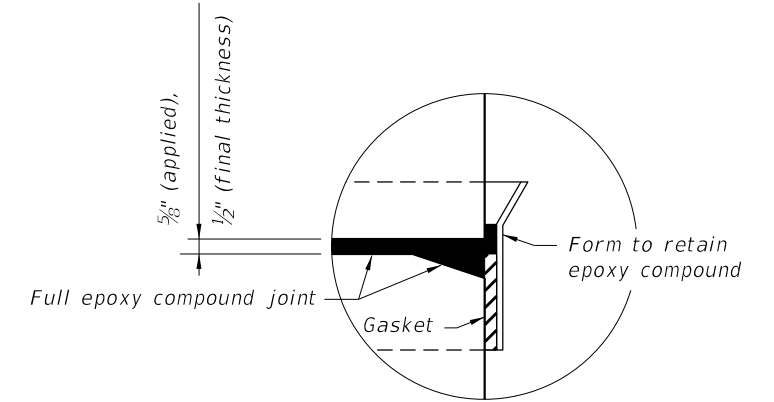
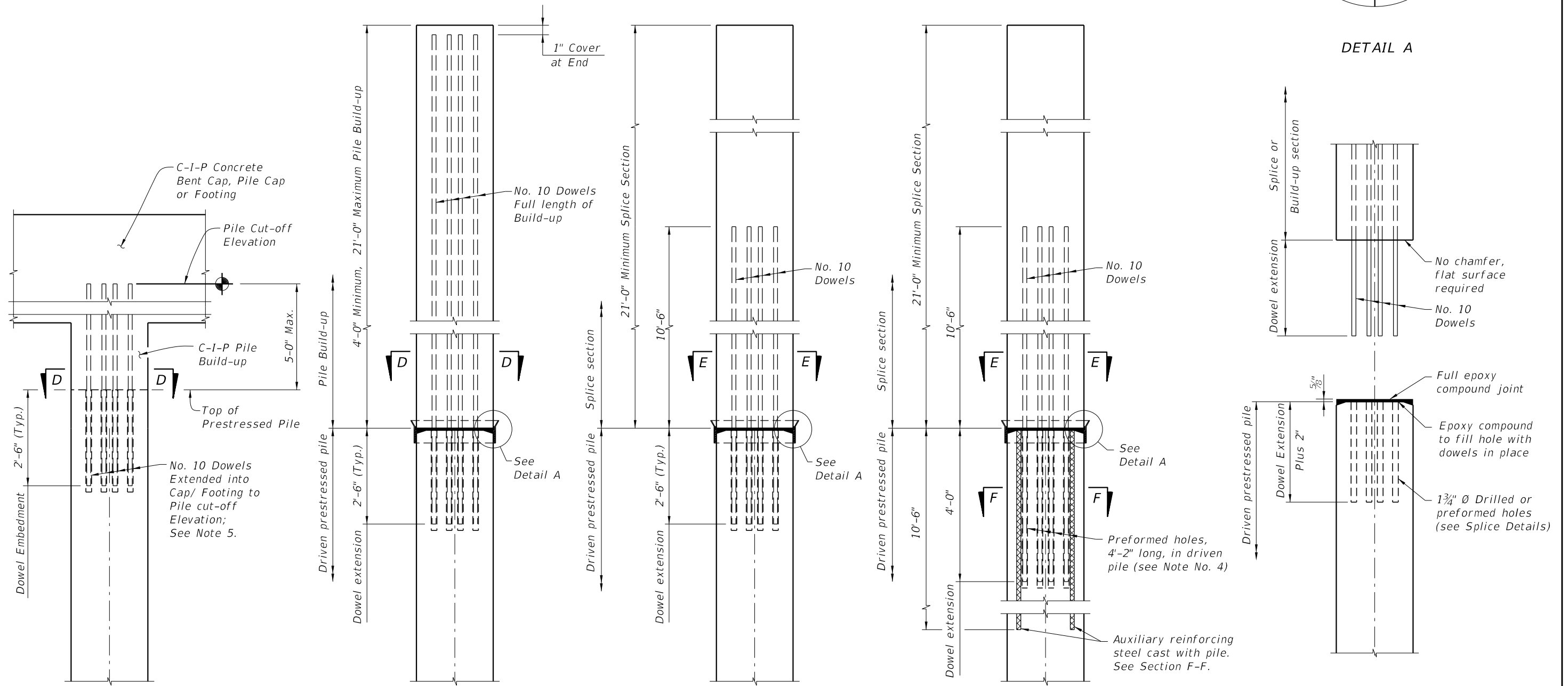


NOTES:

- For Sections D-D, E-E, & F-F see Index Nos. 20612, 20614, 20618, 20620, 20624 or 20630 for applicable concrete pile size and Pile Splice Reinforcement Details.
- Prestressing strands, spiral ties and/or reinforcement are not shown for clarity.
- In cases where pile splices are desired due to length limitations in shipping and/or handling, the "Drivable Preplanned Prestressed Precast Splice Detail" shall be used. Mechanical Pile Splices contained on the Approved Products List (APL) may also be used.
- When preformed dowel holes are utilized, the 1" spiral tie pitch shall be continued to 4'-0" below the head of the pile. See Index Nos. 20618, 20620 & 20624. Preformed holes shall utilize either removable preforming material or stay-in-place corrugated galvanized steel ducts. Stay-in-place ducts shall be fabricated from galvanized sheet steel meeting the requirements of ASTM A653, Coating Designation G90, 26 gauge. Ducts shall be 2" diameter with a minimum corrugation (rib) height of 0.12 in. Ducts shall be fabricated with either welded or interlocked seams. Galvanizing of welded seams will not be required.
- For tension piles where top of Prestressed Pile is less than 3 feet below Pile Cut-off Elevation, extend No. 10 Dowels into cap beyond Pile Cut-off Elevation to achieve development as approved by the Engineer.



DETAIL A



UNFORESEEN REINFORCED C-I-P PILE BUILD-UP DETAIL

NONDRIVABLE UNFORESEEN REINFORCED PRECAST PILE BUILD-UP DETAIL

DRIVABLE UNFORESEEN PRESTRESSED PRECAST PILE SPLICE DETAIL

DRIVABLE PREPLANNED PRESTRESSED PRECAST PILE SPLICE DETAIL

TYPICAL SPLICE BEFORE BONDING

6/24/2015 7:15:36 AM

LAST REVISION 07/01/14	DESCRIPTION:		2016 DESIGN STANDARDS	SQUARE PRESTRESSED CONCRETE PILE SPLICES	INDEX NO. 20601	SHEET NO. 1 of 1
REVISION						