

## Index 304 Detectable Warnings and Sidewalk Curb Ramps

### Design Criteria

**Plans Preparation Manual (PPM)** Volume 1, Chapter 8, Accessibility Considerations, Latest Edition; **Americans with Disabilities Act Standards for Transportation Facilities**, ADA 2006; **Public Rights-of-Way Accessibility Guidelines**, PROWAG 2011; and the **Florida Intersection Design Guide**, FIDG Latest Edition.

### Design Assumptions and Limitations

Refer to the **PPM** Volume 1, Chapter 8 for limitations relative to sidewalk accessibility conditions.

Sidewalk Curb Ramps are designed based on accessibility guidelines from the **Americans with Disabilities Act Standards for Transportation Facilities** 2006.

Sidewalk Curb Ramp preferences for **Design Standard**, Index 304 are taken from the **Public Rights-of-Way Accessibility Guidelines** (PROWAG) 2011.

Limitations on Sidewalk Curb Ramp designs: When proposed sidewalk curb ramps cannot be designed within existing accessibility guidelines, then a project specific design is required to be in accordance with ADA requirements. When compliance with ADA curb ramp requirements is determined to be technically infeasible, documentation as a Design Variation is required. This may occur where existing right of way is inadequate and where conflicts may occur with existing features which cannot be feasibly relocated or adjusted (drainage inlets, signal poles, pull and junction boxes, etc.).

Geometric designs (typical radii for 90 degree curb returns) for the table of detectable warnings of turning roadways is taken from the **Florida Intersection Design Guide**.

Limitations on detectable warning surfaces: The Table of Detectable Warnings provides typical areas of detectable warning surfaces which are based on 10 standard curb ramp types (see all alpha-identifications) and 2 flush shoulder options. Quantities for the total area were generated based on typical radii for 90 degree curb returns. The total area of detectable warning quantities are intended to aid the Contractor in quantifying detectable warning surfaces for typical sidewalk curb ramp applications. For detectable warnings total area calculations see Design Aids below.

### Plan Content Requirements

Summarize Detectable Warnings by the type of Sidewalk Curb Ramp shown in the plans by:

1. Location (Station)
2. Side (either Left, Right or Median)
3. Sidewalk Curb Ramp (based on Index 304 Sidewalk Curb Ramp alpha-identifications)
4. Total Area (based on actual geometric designs and calculations)

## Payment

Refer to the Basis of Estimates and Standard Specifications for Road and Bridge Construction for additional information on payment, pay item use and compensation.

Item number	Item description	Unit Measure
520-1-	Concrete Curb and Gutter	LF
522-1-	Concrete Sidewalk and Driveways	SY
527-2-	Detectable Warnings	SF

Detectable Warnings and Sidewalk Curb Ramps are paid as follows:

Curb transitions and reconstructed curbs are paid under the contract unit price of Concrete Curb and Gutter, LF.

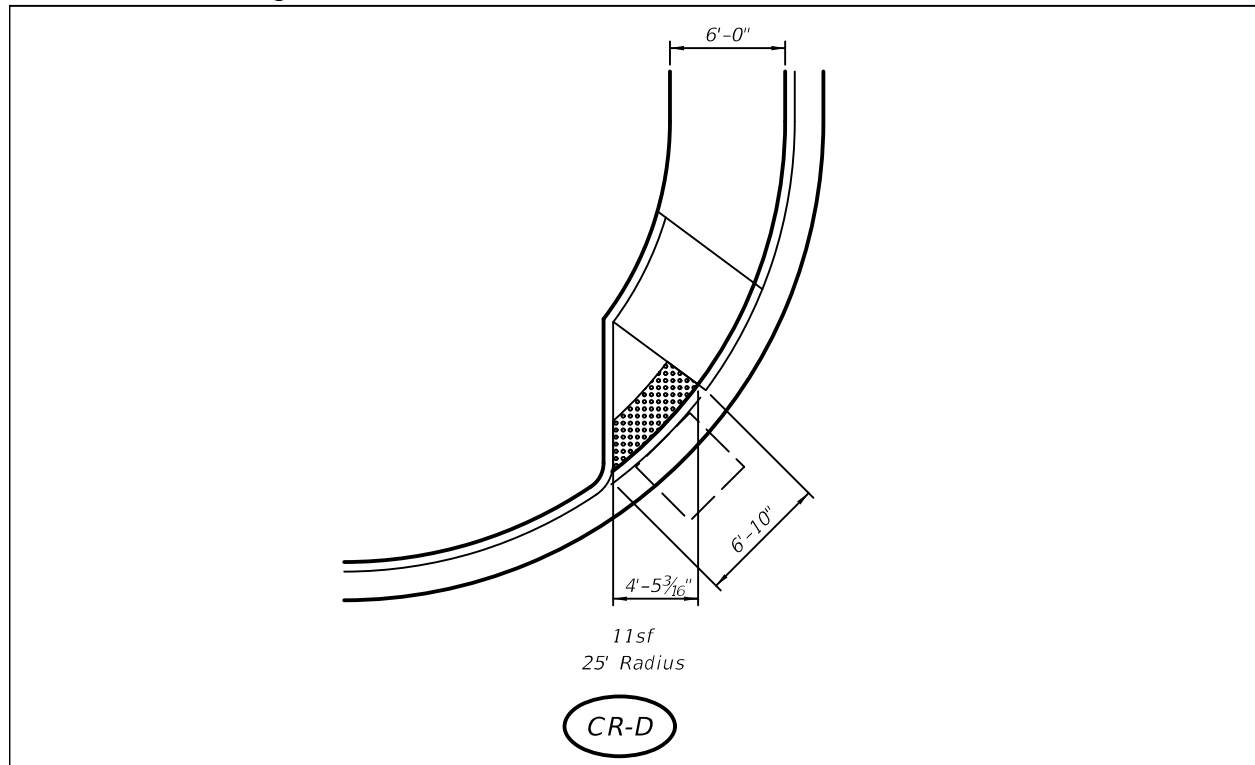
Sidewalk curb ramps, reconstructed sidewalks, walk around sidewalks, sidewalk landings, and sidewalk curb are paid under the contract unit price for Concrete Sidewalk and Driveways, SY.

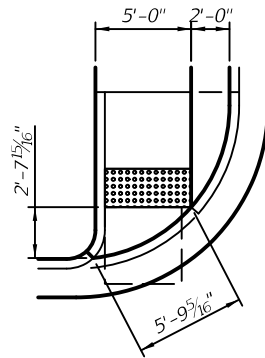
The cost of the removal and disposal of existing curb, curb and gutter, and/or sidewalk shall be included in the contract unit price for concrete curb and gutter and/or concrete sidewalk and driveways respectively.

The cost of furnishing and installing detectable warnings for new construction or retrofit and all incidental items shall be included in the pay item for Detectable Warnings, SF.

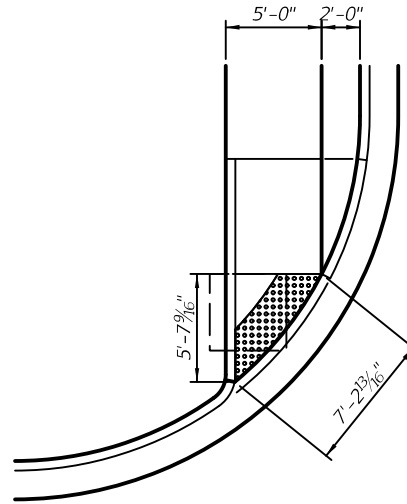
## Design Aids

Detectable Warnings Total Area Calculations:

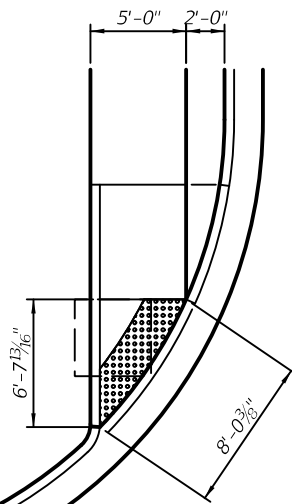




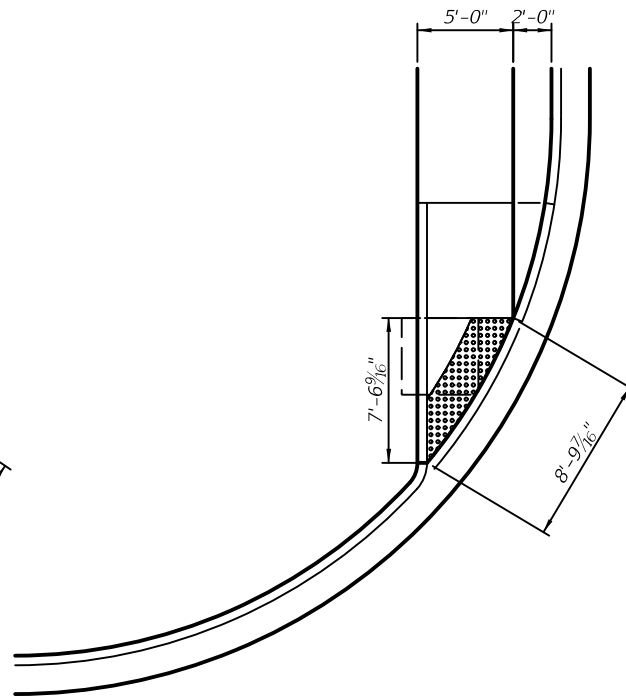
9sf  
10' Radius



11sf  
20' Radius

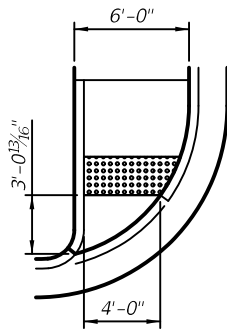


13sf  
25' Radius

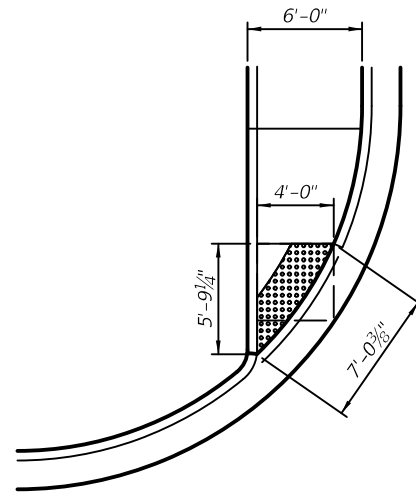


14sf  
30' Radius

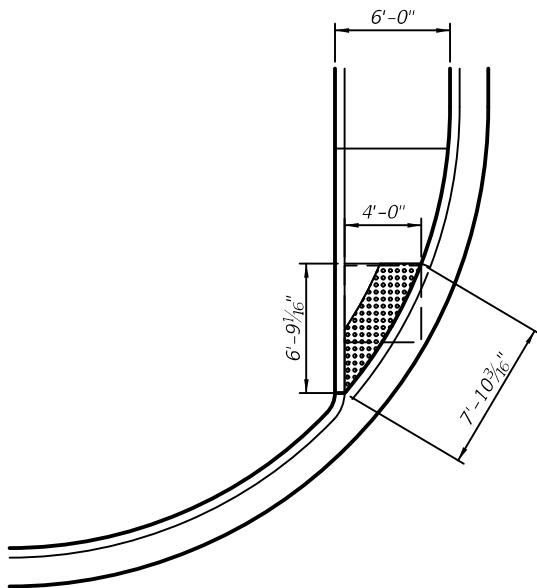
CR-F



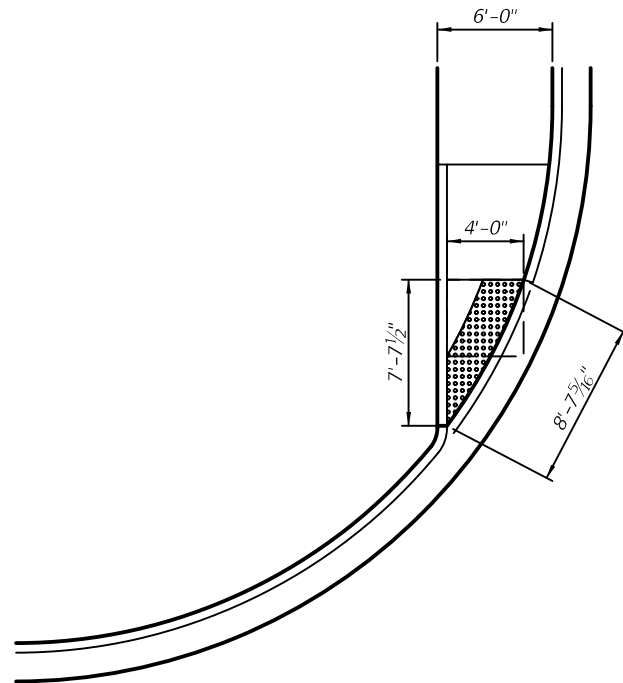
10sf  
10' Radius



11sf  
20' Radius

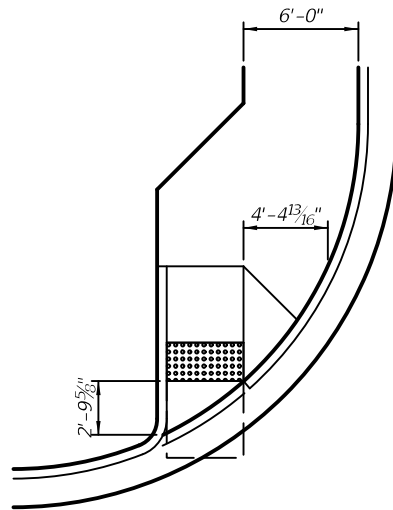


12sf  
25' Radius

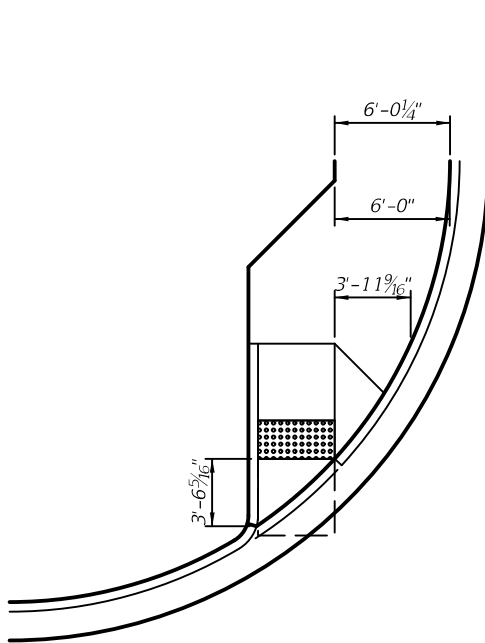


14sf  
30' Radius

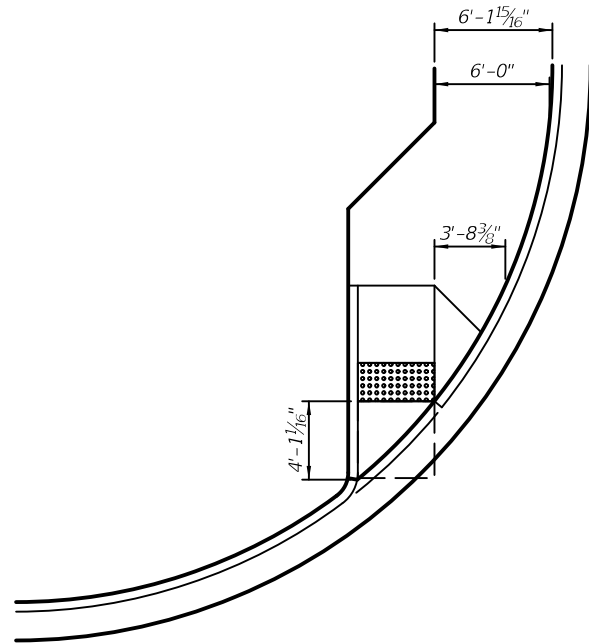
CR-G



8sf  
20' Radius



8sf  
25' Radius



8sf  
30' Radius

CR-H

