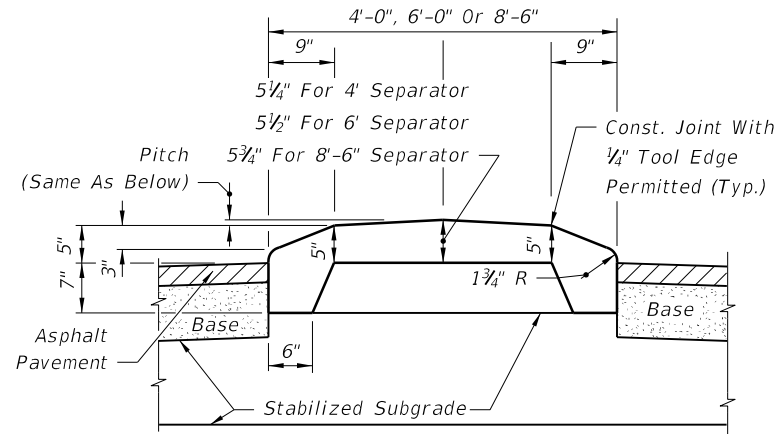
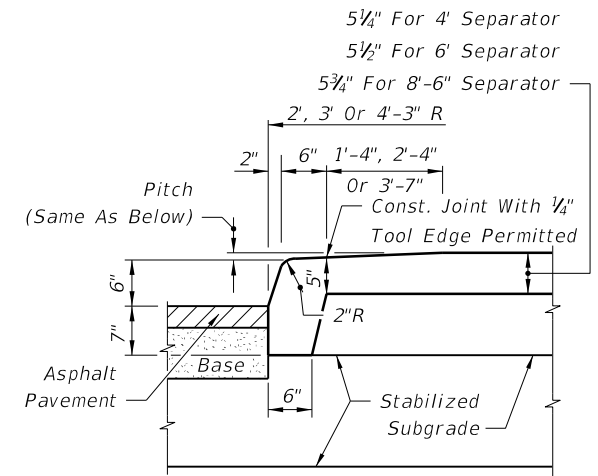


LONGITUDINAL SECTION (NOSE)

OPTION I

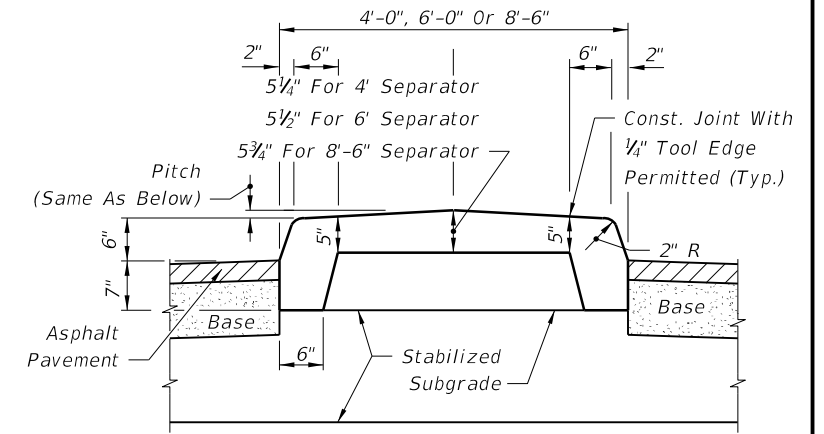


TRANSVERSE SECTION

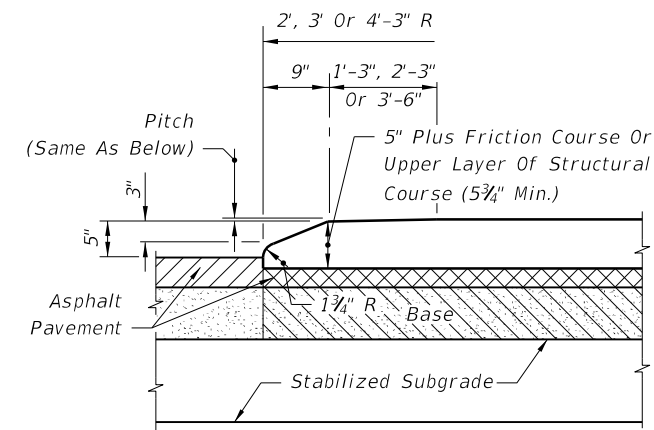


LONGITUDINAL SECTION (NOSE)

OPTION I

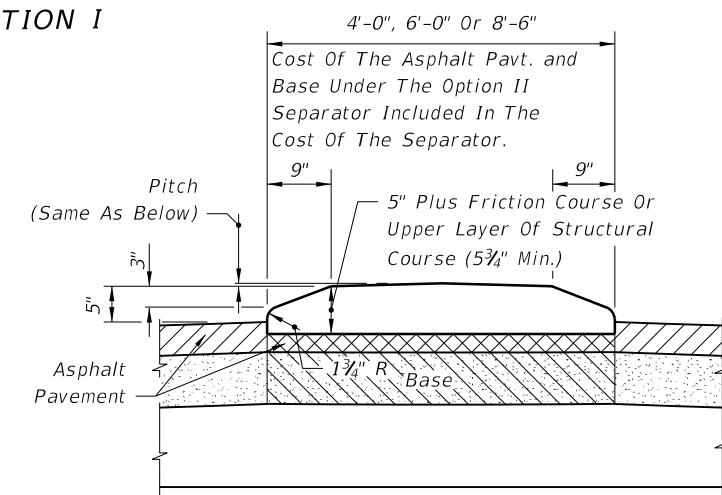


TRANSVERSE SECTION



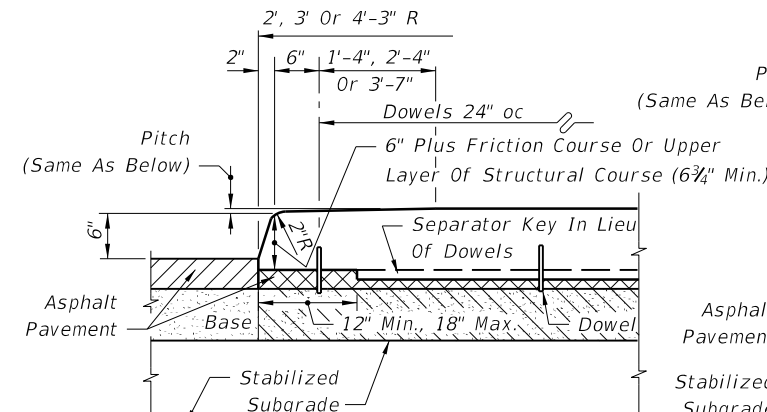
LONGITUDINAL SECTION (NOSE)

OPTION II



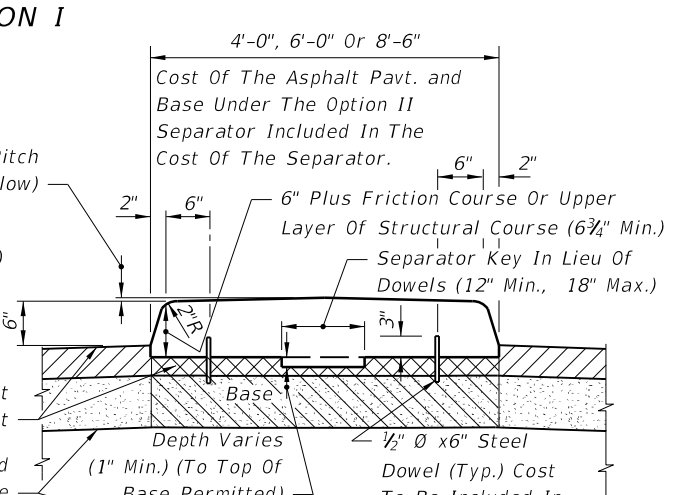
TRANSVERSE SECTION

TYPE I CONCRETE TRAFFIC SEPARATOR



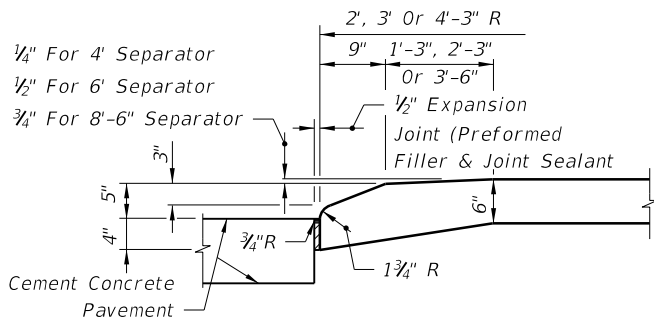
LONGITUDINAL SECTION (NOSE)

OPTION II

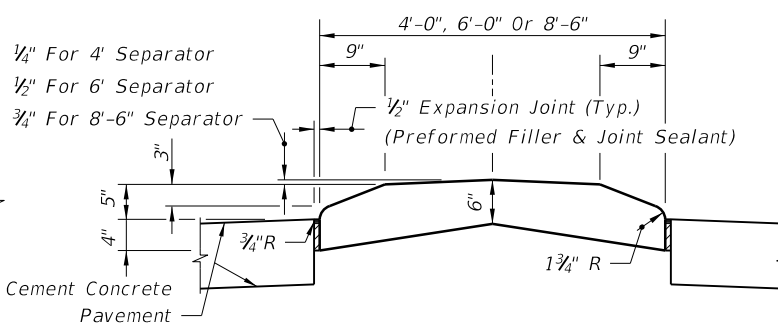


TRANSVERSE SECTION

TYPE IV CONCRETE TRAFFIC SEPARATOR



LONGITUDINAL SECTION (NOSE)

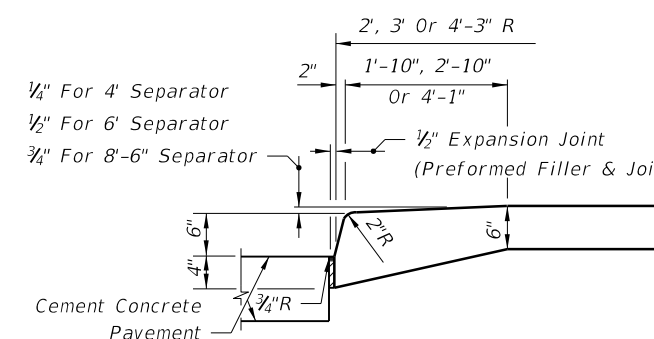


TRANSVERSE SECTION

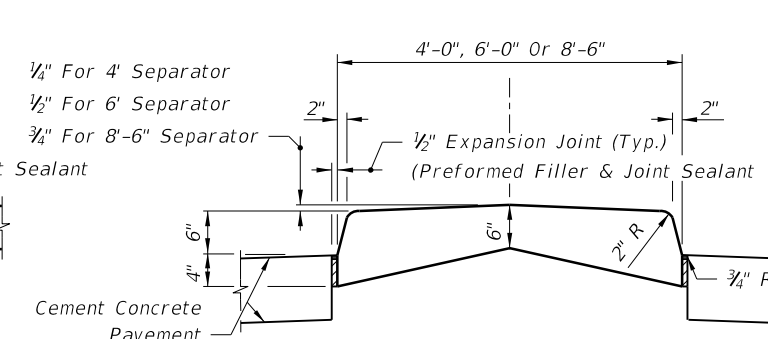
TYPE II CONCRETE TRAFFIC SEPARATOR

NOTES

1. Separators Type I and IV are to be used with flexible pavement. Separators Types II and V are to be used with rigid pavement.
2. Either Option I or Option II may be used for Types I and IV separators except when a specific option is called for in the plans.
3. For all separators provide 1/8" - 1/4" contraction joints at 10' centers (max.). Contraction joints adjacent to concrete pavement on tangents and flat curves are to match the pavement joints, with intermediate joints not to exceed 10' centers.
4. Separators having widths of 4', 6' or 8'-6" shall be paid for under the contract unit price for Concrete Traffic Separator (Type_) (_ Wide) LF. Separators having widths other than 4', 6' or 8'-6" shall be detailed in the plans as special separators and paid for under the contract unit price for Concrete Traffic Separator (Special) SY.



LONGITUDINAL SECTION (NOSE)



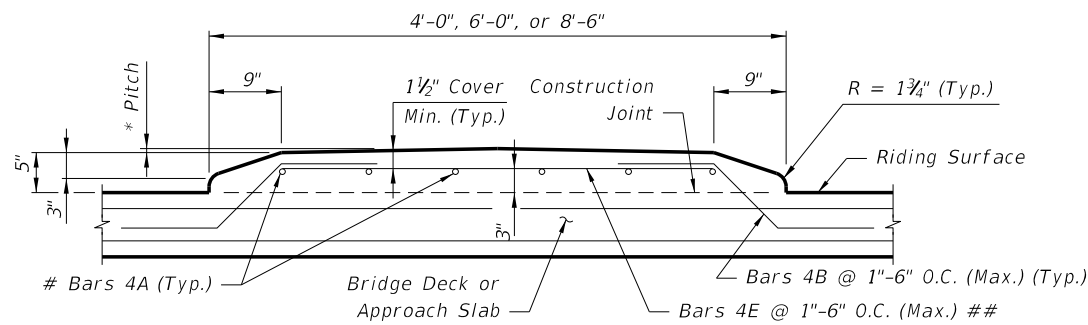
TRANSVERSE SECTION

TYPE V CONCRETE TRAFFIC SEPARATOR

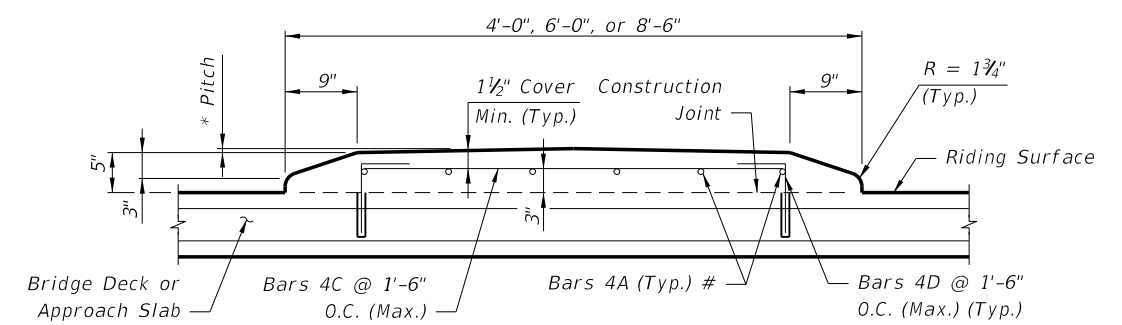
ROADWAY INSTALLATIONS

6/4/2014 9:03:31 AM

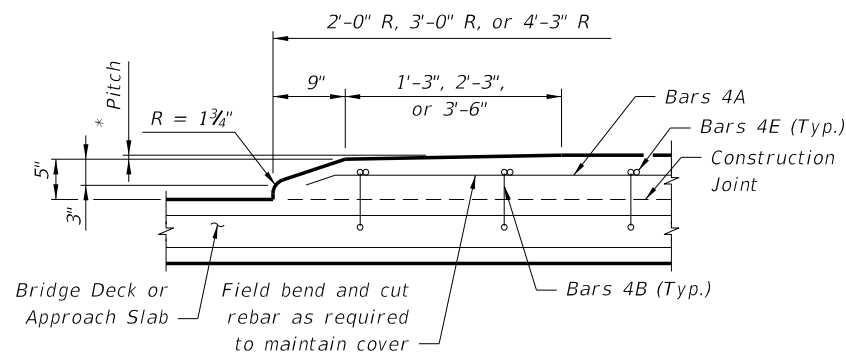
LAST REVISION 07/01/14	DESCRIPTION:	 2015 DESIGN STANDARDS	TRAFFIC SEPARATORS	INDEX NO. 302	SHEET NO. 1 of 4
---------------------------	--------------	--	---------------------------	------------------	---------------------



TYPICAL SECTION THRU TRAFFIC SEPARATOR
(Bridge Deck Shown, Approach Slab Similar)



TYPICAL SECTION THRU TRAFFIC SEPARATOR
(Bridge Deck Shown, Approach Slab Similar)

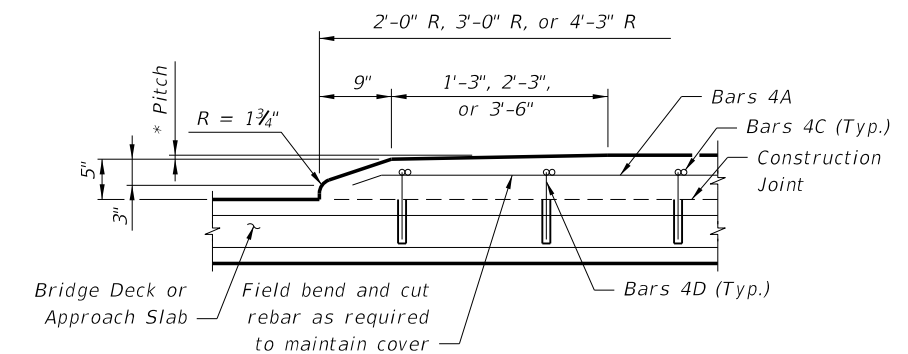


LONGITUDINAL SECTION THRU TRAFFIC SEPARATOR AT NOSE
(Bridge Deck Shown, Approach Slab Similar)

For 4'-0" width: Bars 4A @ 3 equal spaces (continuous).
For 6'-0" width: Bars 4A @ 5 equal spaces (continuous).
For 8'-6" width: Bars 4A @ 7 equal spaces (continuous).

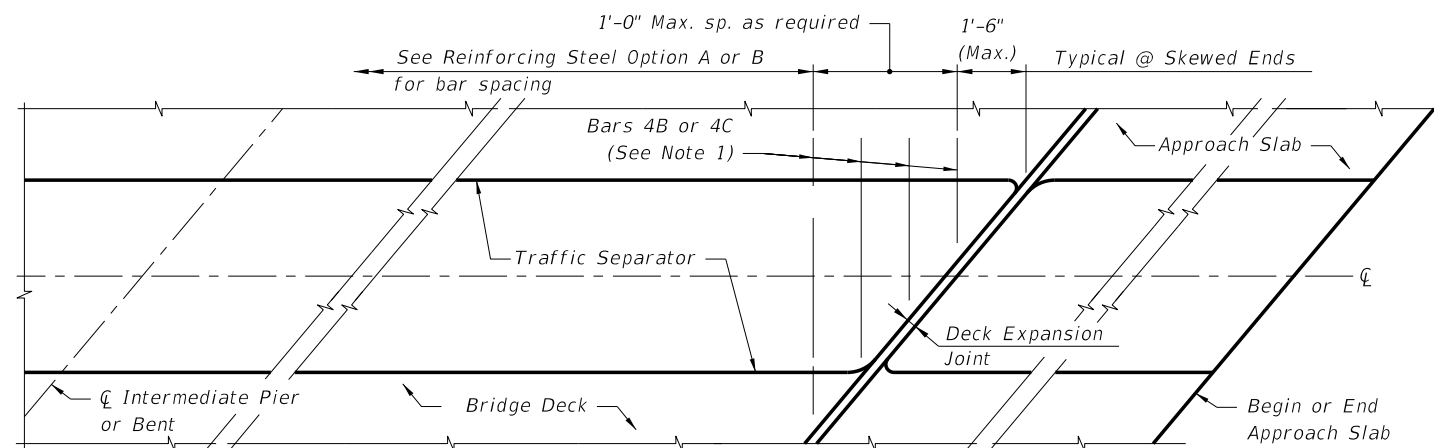
At the Contractor's option a one piece bar may be substituted for Bars 4B and 4E.

* Pitch: 1/4" For 4'-0" Separator
1/2" For 6'-0" Separator
3/4" For 8'-6" Separator



LONGITUDINAL SECTION THRU TRAFFIC SEPARATOR AT NOSE
(Bridge Deck Shown, Approach Slab Similar)

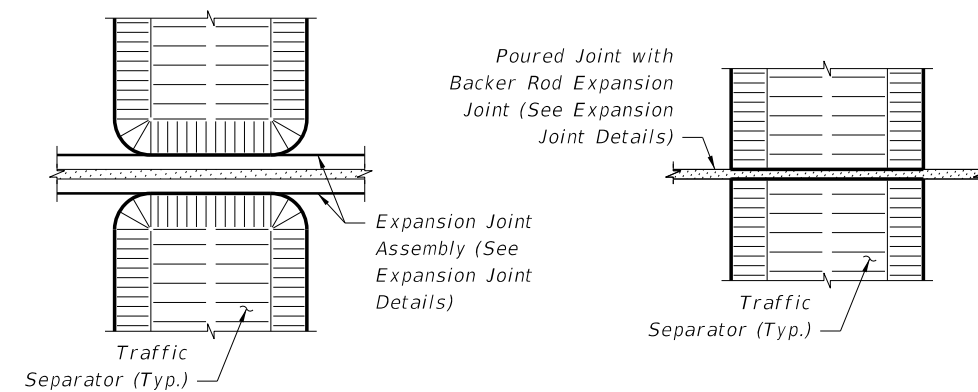
REINFORCING STEEL OPTION A



PARTIAL PLAN VIEW OF SKEWED BRIDGE DECK AND APPROACH SLAB WITH TRAFFIC SEPARATOR
(Deck Expansion Joint at Begin or End Bridge Shown, Expansion Joint at C/L Pier or Intermediate Bents Similar)

- Notes:
1. Traffic Separator transverse reinforcement adjacent to deck expansion joints shall be field adjusted to maintain clearance and spacing. Bars shall be field cut as shown, bars may be rotated to maintain clearance.
 2. Traffic Separator ends at deck expansion joints shall follow the deck joint limits. Drainage joints and 1/2" V-Grooves shall be placed perpendicular or radial to the C/L of the Traffic Separator. See Structures Plans, Superstructure and Approach Slab Sheets for details.
 3. See Structures Plans, Superstructure Sheets for actual dimensions and joint orientation.

REINFORCING STEEL OPTION B (NOT PERMITTED ON BRIDGE DECKS WITH PRESTRESSING STEEL)




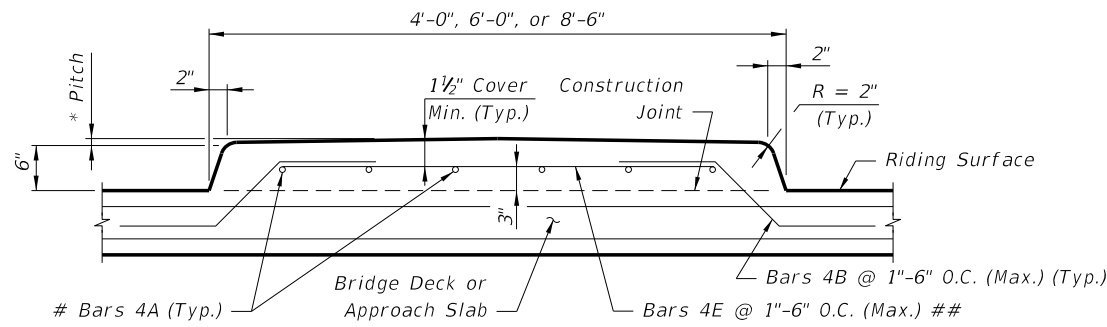
DETAIL AT EXPANSION JOINTS
(Strip Seal Shown, Other Armored Joint Types Similar)

DETAIL AT POURED JOINT WITH BACKER ROD EXPANSION JOINTS

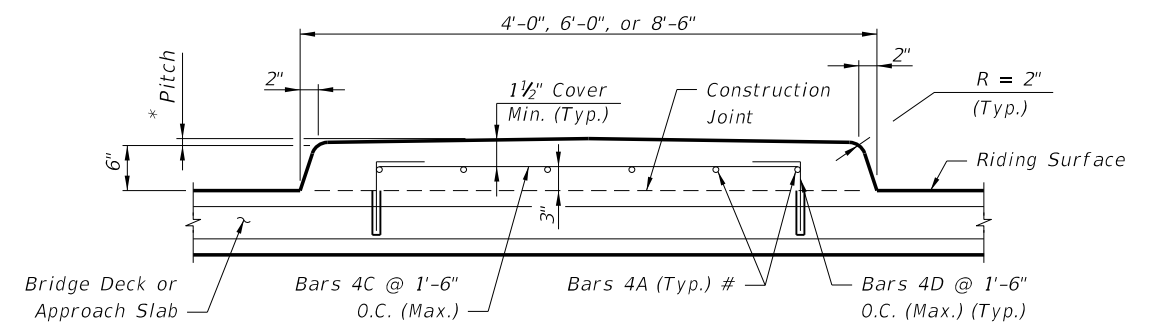
BRIDGE INSTALLATIONS - TYPE "E" CURB

9:03:32 AM 6/4/2014

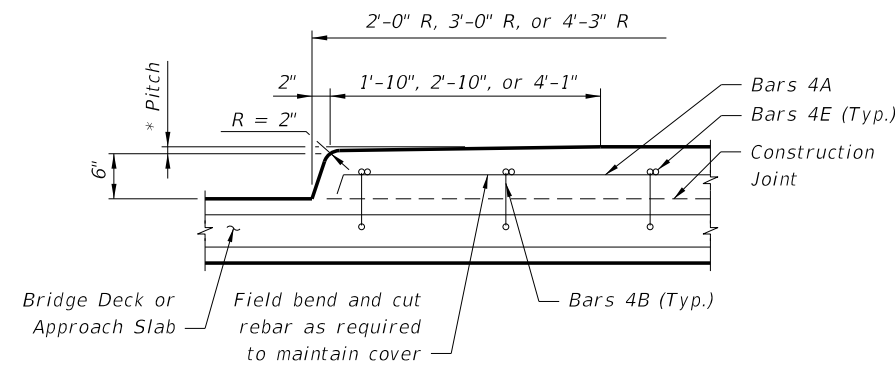
LAST REVISION 01/01/11	REVISION	DESCRIPTION:	 2015 DESIGN STANDARDS	TRAFFIC SEPARATORS	INDEX NO. 302	SHEET NO. 2 of 4
---------------------------	----------	--------------	--	---------------------------	------------------	---------------------



TYPICAL SECTION THRU TRAFFIC SEPARATOR
(Bridge Deck Shown, Approach Slab Similar)



TYPICAL SECTION THRU TRAFFIC SEPARATOR
(Bridge Deck Shown, Approach Slab Similar)



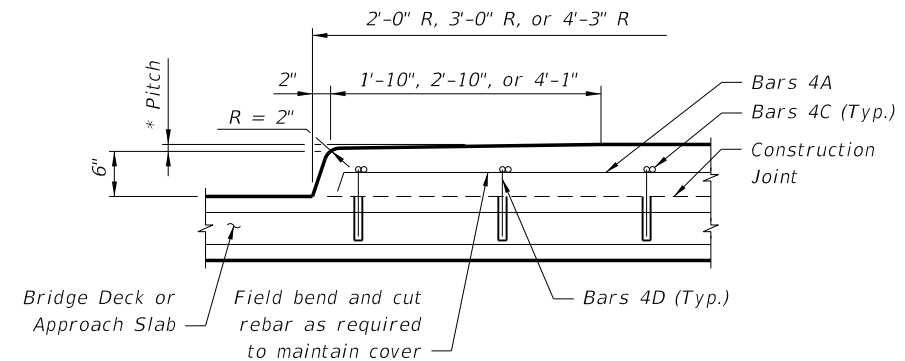
LONGITUDINAL SECTION THRU TRAFFIC SEPARATOR AT NOSE
(Bridge Deck Shown, Approach Slab Similar)

REINFORCING STEEL OPTION A

For 4'-0" width: Bars 4A @ 3 equal spaces (continuous).
For 6'-0" width: Bars 4A @ 5 equal spaces (continuous).
For 8'-6" width: Bars 4A @ 7 equal spaces (continuous).

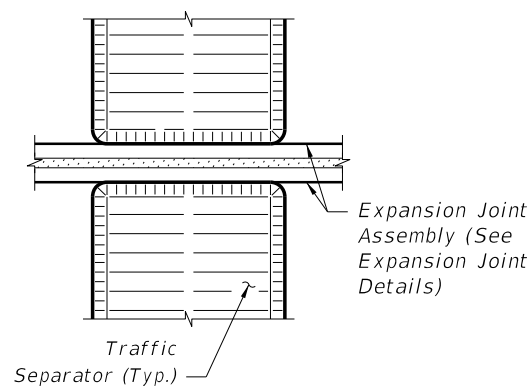
At the Contractor's option a one piece bar may be substituted for Bars 4B and 4E.

* Pitch: 1/4" For 4'-0" Separator
1/2" For 6'-0" Separator
3/4" For 8'-6" Separator

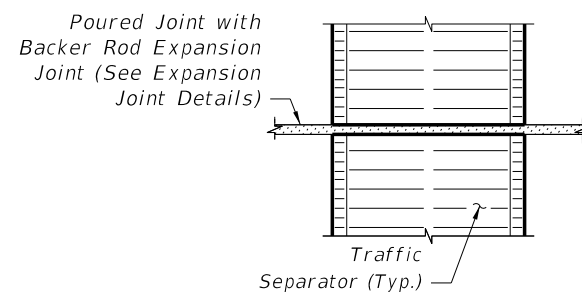


LONGITUDINAL SECTION THRU TRAFFIC SEPARATOR AT NOSE
(Bridge Deck Shown, Approach Slab Similar)

REINFORCING STEEL OPTION B (NOT PERMITTED ON BRIDGE DECKS WITH PRESTRESSING STEEL)



DETAIL AT EXPANSION JOINTS
(Strip Seal Shown, Other Armored Joint Types Similar)




DETAIL AT POURED JOINT WITH BACKER ROD EXPANSION JOINTS

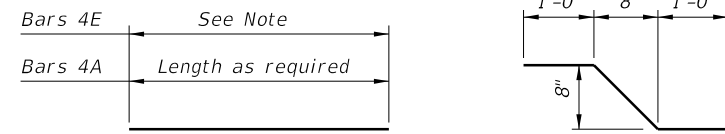
Note: Treatment of separators on straight bridges shown. For additional notes and treatment of separators on skewed bridges, see Sheet 2.

BRIDGE INSTALLATIONS - TYPE "F" CURB

6/4/2014 9:03:33 AM

LAST REVISION 01/01/11	DESCRIPTION:	 2015 DESIGN STANDARDS	TRAFFIC SEPARATORS	INDEX NO. 302	SHEET NO. 3 of 4
---------------------------	--------------	---	--------------------	------------------	---------------------

CONVENTIONAL REINFORCING
STEEL BENDING DIAGRAMS

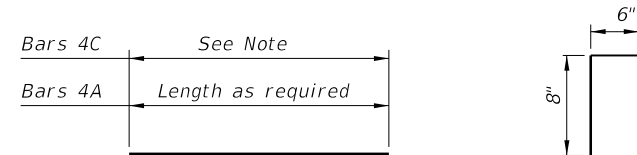


Bars 4A & 4E

Bar 4B

Note:
Length of Bars 4E is 2'-5" for 4'-0" Separator.
Length of Bars 4E is 4'-5" for 6'-0" Separator.
Length of Bars 4E is 6'-11" for 8'-6" Separator.

REINFORCING STEEL OPTION A



Bars 4A & 4C

Bar 4D

Note:
Length of Bars 4C is 2'-4½" for 4'-0" Separator.
Length of Bars 4C is 4'-4½" for 6'-0" Separator.
Length of Bars 4C is 6'-10½" for 8'-6" Separator.

REINFORCING STEEL OPTION B

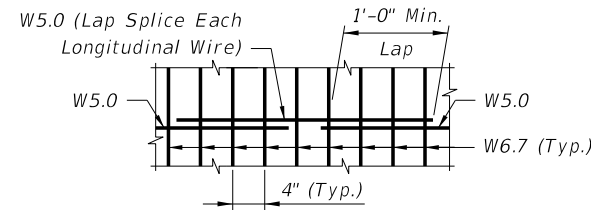
REINFORCING STEEL NOTES:

1. All dimensions are out to out.
2. The 8" vertical dimension shown for Bars 4B and 4D are based on a slab 8½" thick or greater without a wearing surface. If slab thickness is less than 8½", decrease this dimension by an amount equal to the difference in thickness. If a wearing surface is to be provided, increase this dimension by an amount equal to the wearing surface thickness.

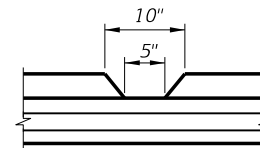
ALTERNATE REINFORCING STEEL
DETAILS (WELDED WIRE REINFORCEMENT)

OPTION A: Use Welded Wire Reinforcement 3 x 4 - W5.0 x W6.7 as required by plans in place of Bars 4A, 4B and 4E. Bend the Welded Wire Reinforcement to the dimensions of Bar 4B shown in the Bending Diagram for Reinforcing Steel Option A.
OPTION B: Use Welded Wire Reinforcement 3 x 4 - W5.0 x W6.7 as required by plans in place of Bars 4A and 4C shown in Reinforcing Steel Option B.

Note: Welded Wire Reinforcement to consist of smooth wire meeting the requirements of Specification Section 931.



SPLICE DETAIL
(Between WWR 3 x 4 - W5.0 x W6.7 Sections)



DRAINAGE JOINT DETAIL
FOR 5" OPENING OR LESS

See Structures Plans, Superstructure Sheets for location(s) of drainage joints. Locations for drainage joints shall be limited to the constant width section of separator.

NOTES:
CONCRETE: See General Notes in Structures Plans.
REINFORCING STEEL: Reinforcing Steel shall be ASTM A615 Grade 60.
PAYMENT: Separators having widths of 4'-0", 6'-0", and 8'-6" shall be paid under the contract unit price for Traffic Separator Concrete (Type II or V) (___' Wide), LF. Separators having widths other than 4'-0", 6'-0", or 8'-6" shall be detailed in the plans as special separators and paid under the contract unit price for Traffic Separator Concrete (Special), S.Y.
TRAFFIC SEPARATOR CONSTRUCTION: The Contractor may construct the separator by the use of stationary removable forms or by the use of slip forms without altering the separator dimensions shown.
½" V-GROOVES: For all separators provide ½" V-Grooves at 30'-0" centers (max.) equally spaced between expansion joints, and/or drainage joints.

ESTIMATED TRAFFIC SEPARATOR QUANTITIES

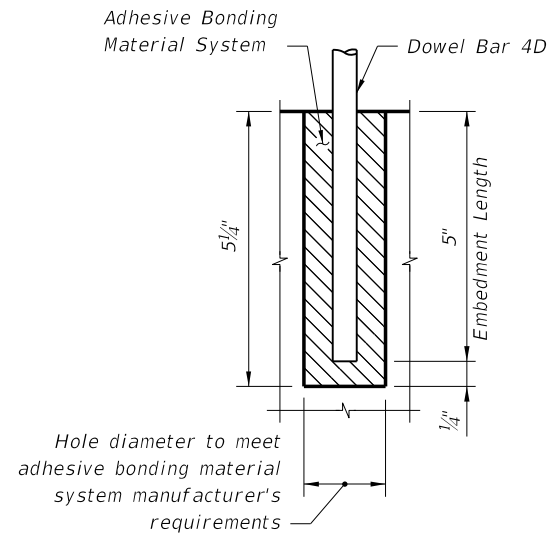
CONCRETE:
CONSTANT WIDTH OF SEPARATOR:
TYPE "E" TYPE "F"
4'-0" Width = 0.056 CY per Ft. - 0.072 CY per Ft.
6'-0" Width = 0.089 CY per Ft. - 0.112 CY per Ft.
8'-6" Width = 0.132 CY per Ft. - 0.164 CY per Ft.

NOSE:
TYPE "E" TYPE "F"
4'-0" Width = 0.080 CY - 0.109 CY
6'-0" Width = 0.193 CY - 0.257 CY
8'-6" Width = 0.403 CY - 0.536 CY

REINFORCING STEEL:
(All quantities are based on an 8½" slab.)

OPTION A:
4'-0" Width - 6.37 Lbs. per Ft.
6'-0" Width - 8.60 Lbs. per Ft.
8'-6" Width - 11.05 Lbs. per Ft.

OPTION B:
4'-0" Width - 4.77 Lbs. per Ft.
6'-0" Width - 7.00 Lbs. per Ft.
8'-6" Width - 9.45 Lbs. per Ft.



DOWEL DETAIL

- Dowel Notes:
1. Shift Dowel Holes to clear if existing reinforcement is encountered.
 2. Provide and install an adhesive bonding material system in accordance with Sections 416 and 937 of the Specifications.

BRIDGE INSTALLATIONS - TYPE "E" AND "F" CURBS

6/4/2014 9:03:33 AM

LAST REVISION 07/01/07	DESCRIPTION:	FDOT 2015 DESIGN STANDARDS	TRAFFIC SEPARATORS	INDEX NO. 302	SHEET NO. 4 of 4
---------------------------	--------------	----------------------------------	--------------------	------------------	---------------------