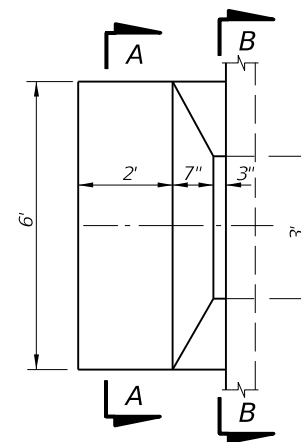
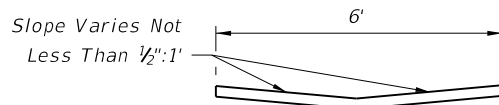


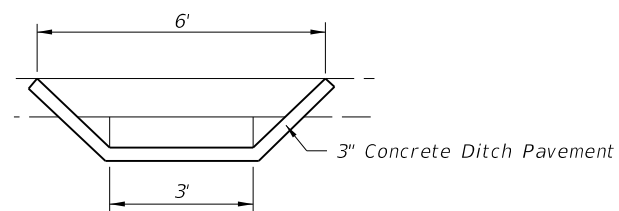
LONGITUDINAL SECTION



PLAN




SECTION AA



SECTION BB

SAFETY MODIFICATION FOR INLETS IN BOX CULVERTS

5/20/2014 2:45:07 PM

LAST REVISION 07/01/07	REVISION DESCRIPTION:	 2015 DESIGN STANDARDS	SAFETY MODIFICATIONS FOR INLETS IN BOX CULVERTS	INDEX NO. 293	SHEET NO. 1 of 1
---------------------------	-----------------------	--	--	------------------	---------------------