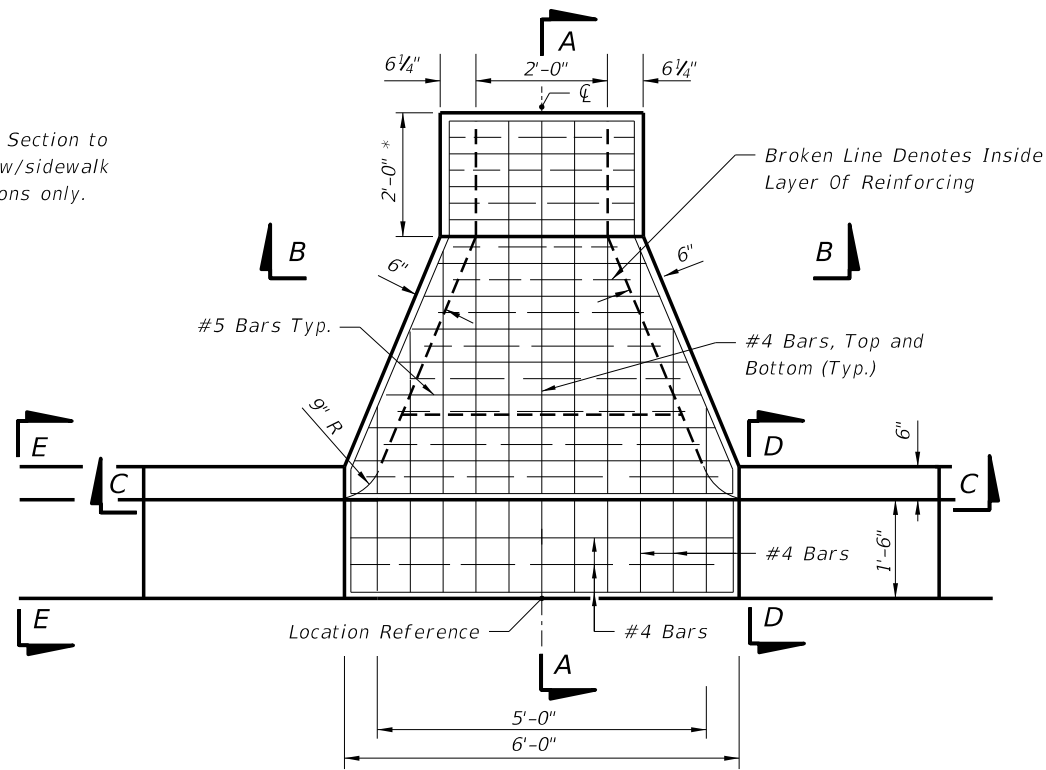


SECTION AA

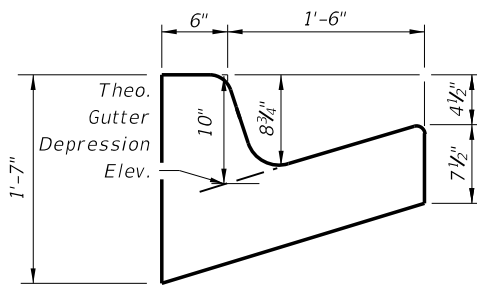
* Sloped Section to be used w/sidewalk applications only.



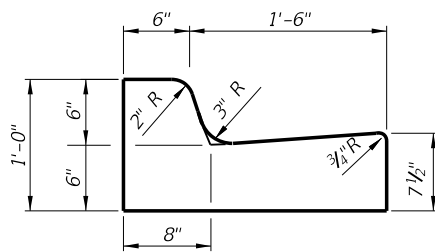
TOP VIEW

GENERAL NOTES

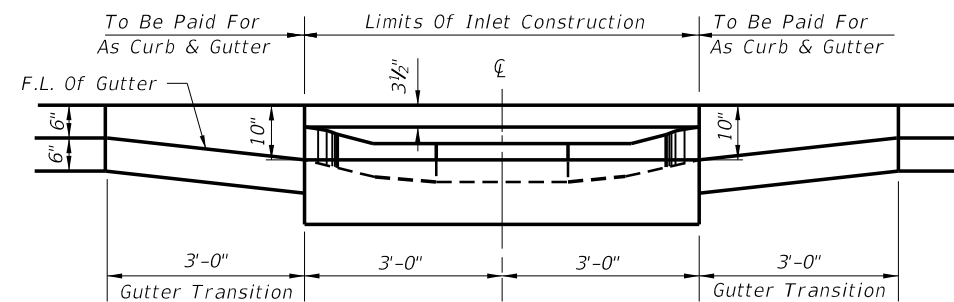
1. The finished grade and slope of the inlet top are to conform with the finished cross slope and grade of the proposed sidewalk and/or border.
2. When inlets are to be constructed on a curve, refer to the plans to determine the radius and, where necessary, modify the inlet details accordingly. Bend steel when necessary.
3. All steel shall have 2" minimum cover unless otherwise shown. Inlets can be either cast-in-place or precast concrete. Chamfer all exposed edges 3/4".
4. All reinforcement is ASTM A615/A615M Grade 60 steel, either smooth or deformed. Equivalent area grade 40 steel or 65 ksi welded wire fabric may be substituted.
5. Inlets to be paid for under the contract unit price for Inlets (Closed Flume) EA.



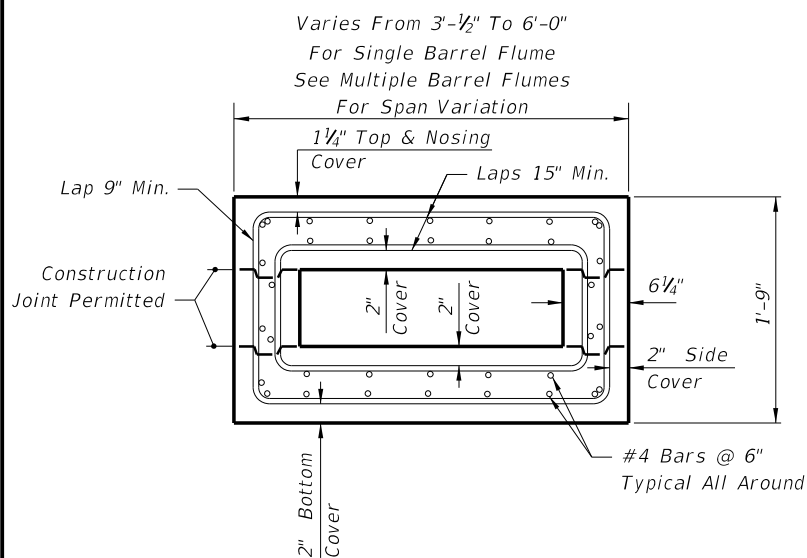
SECTION DD



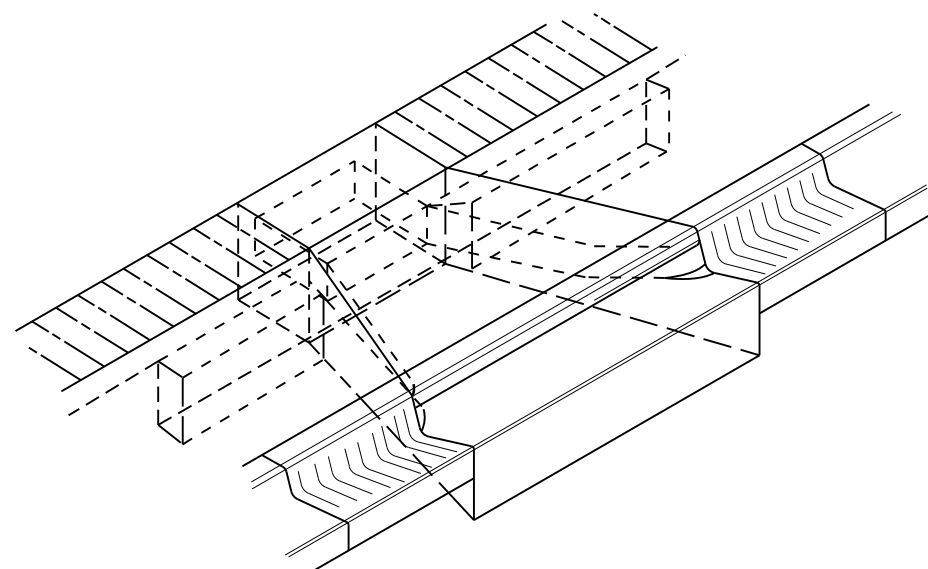
Curb And Gutter Type F SECTION EE



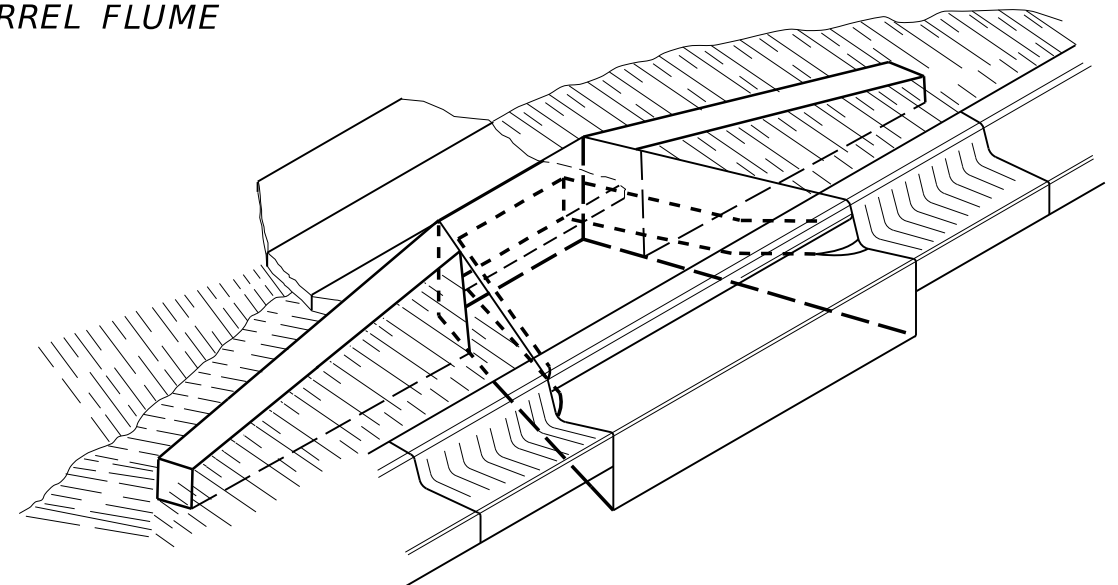
SECTION CC SINGLE BARREL FLUME



SECTION BB



SINGLE BARREL FLUME DEPICTED FLUME W/SIDEWALK INLET (CLOSED FLUME) TYPE I

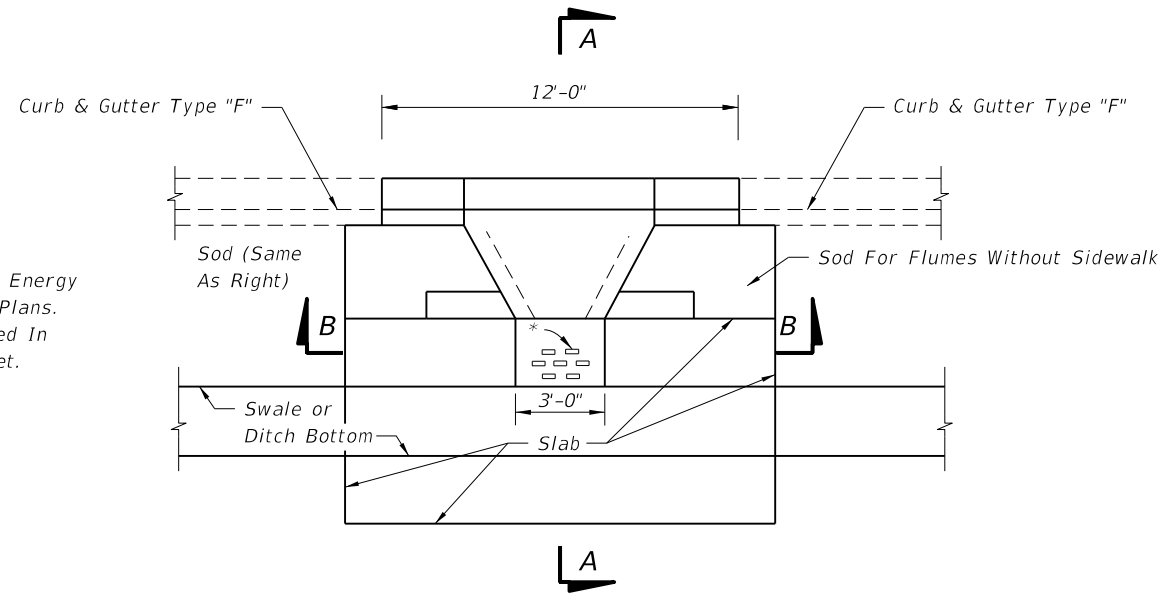


SINGLE BARREL FLUME DEPICTED FLUME W/O SIDEWALK INLET (CLOSED FLUME) TYPE II

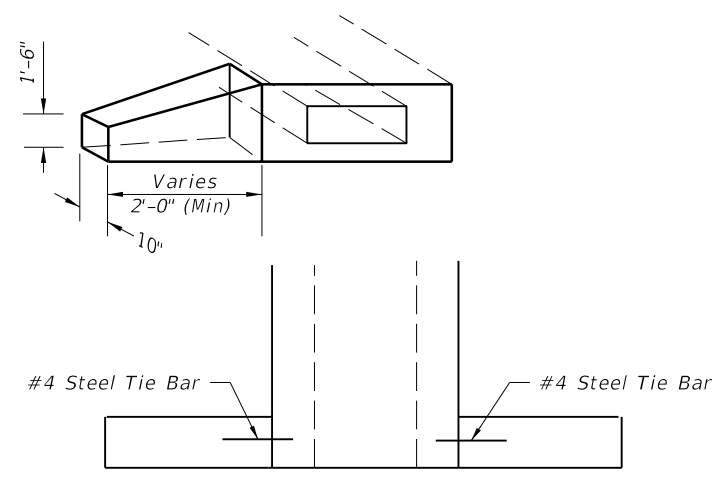
5/27/2014 5:33:34 PM

LAST REVISION 07/01/14	DESCRIPTION:	FDOT 2015 DESIGN STANDARDS	CLOSED FLUME INLET	INDEX NO. 216	SHEET NO. 1 of 3
---------------------------	--------------	----------------------------	--------------------	------------------	---------------------

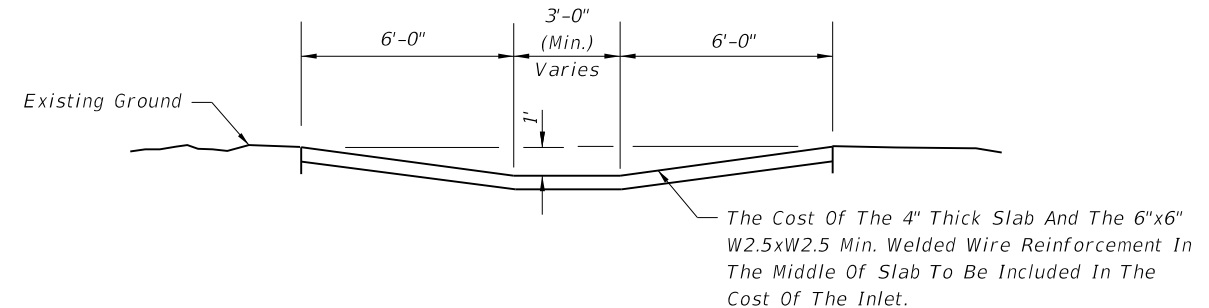
*Bricks to Dissipate Energy When Called For In Plans. Bricks To Be Included In The Cost Of The Inlet.



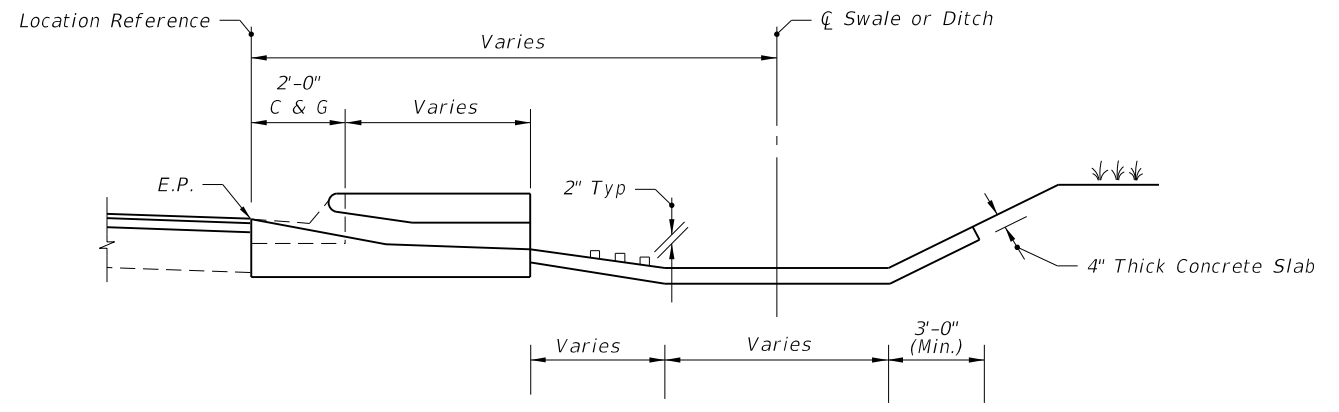
SINGLE BARREL FLUME DEPICTED PLAN



SINGLE BARREL FLUME DEPICTED ENDWALL



SINGLE BARREL FLUME DEPICTED SECTION BB

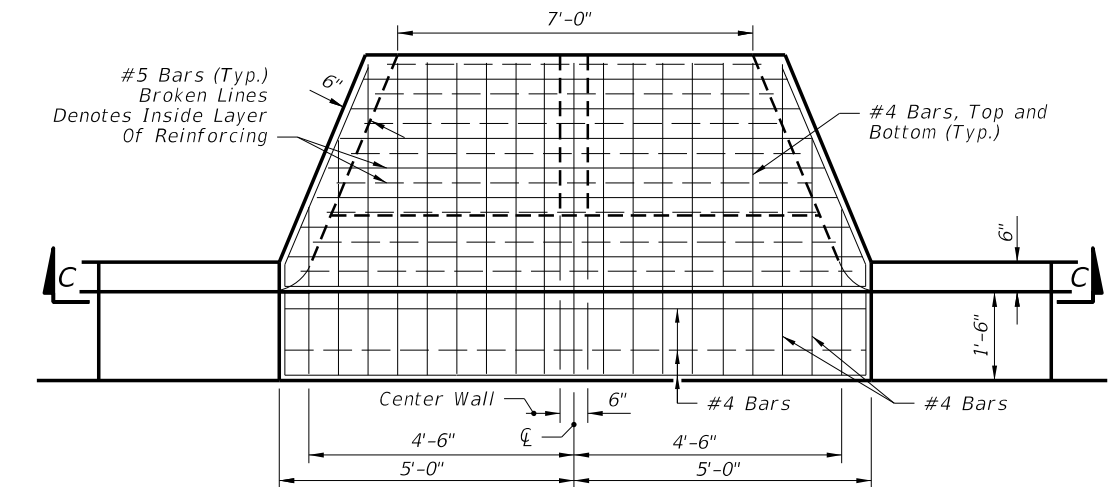


SECTION AA

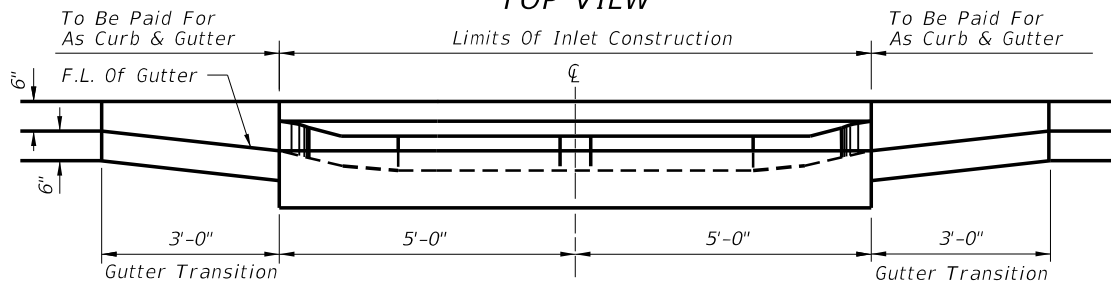
SLOPES, DITCH APRON AND ENDWALLS

5/27/2014 5:33:34 PM

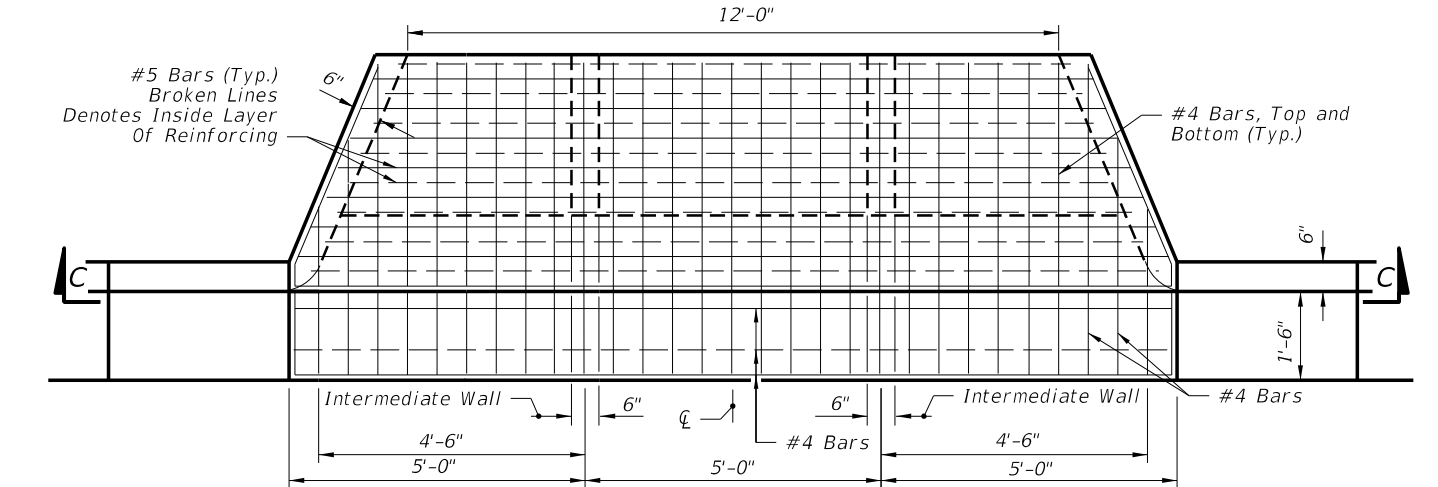
LAST REVISION	07/01/14	REVISION	DESCRIPTION:	 2015 DESIGN STANDARDS	CLOSED FLUME INLET	INDEX NO. 216	SHEET NO. 2 of 3
---------------	----------	----------	--------------	-------------------------------------	---------------------------	-------------------------	----------------------------



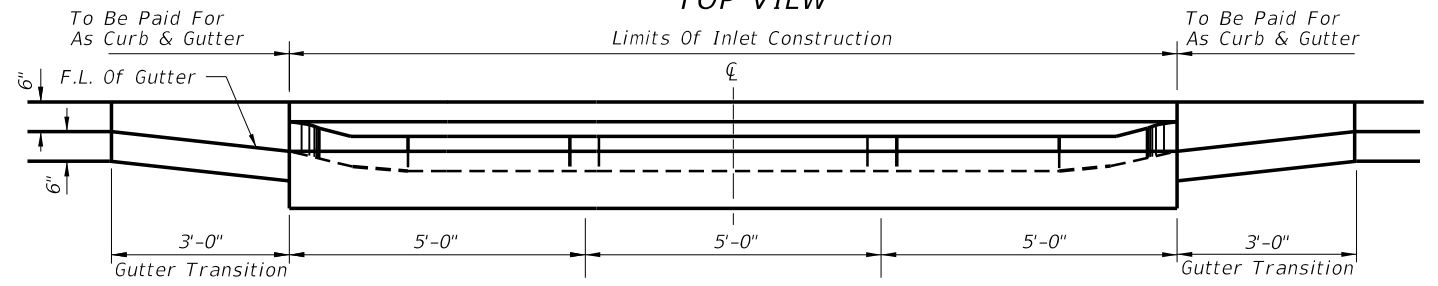
TOP VIEW



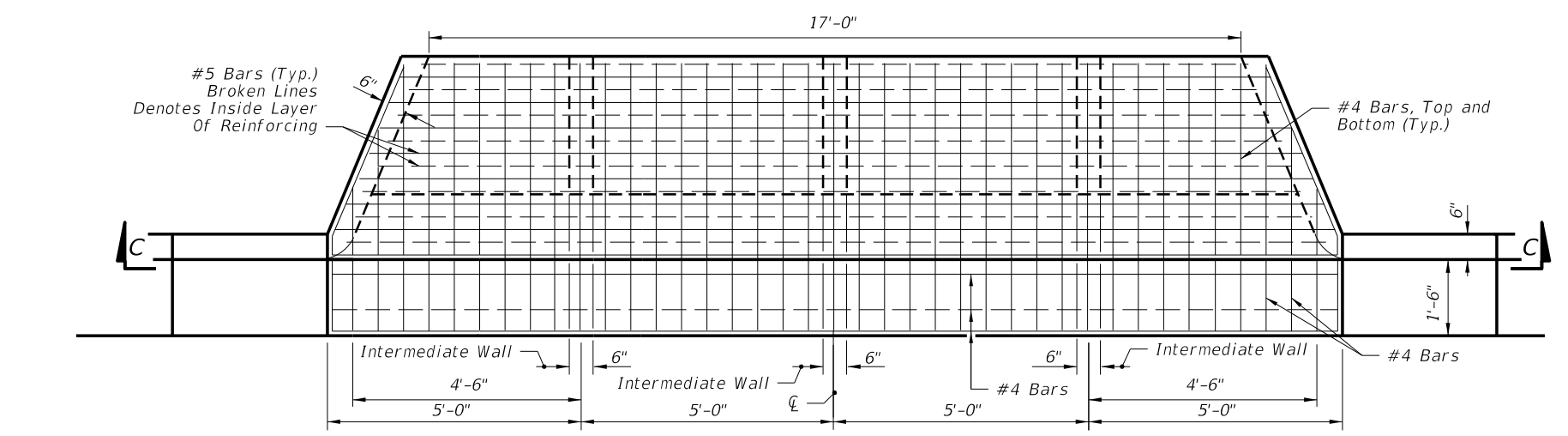
SECTION CC
DOUBLE BARREL FLUME



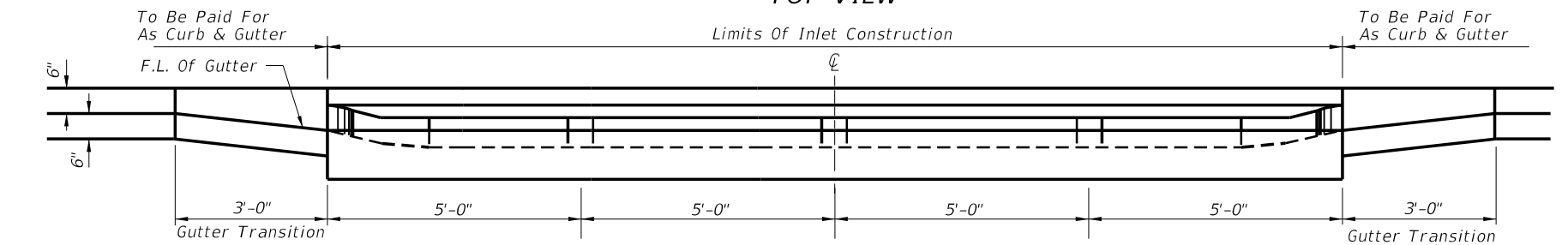
TOP VIEW



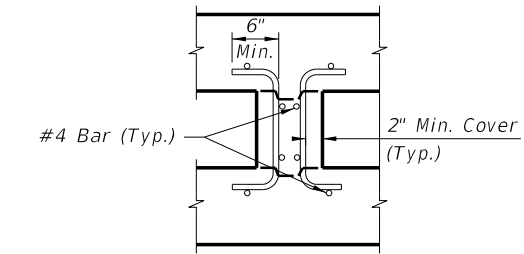
SECTION CC
TRIPLE BARREL FLUME



TOP VIEW




SECTION CC
QUADRUPLE BARREL FLUME



INTERMEDIATE-WALL REINFORCING

NOTE: See Barrel Flume For Base Dimensions.

5/27/2014 5:33:35 PM

LAST REVISION 07/01/14	REVISION	DESCRIPTION:	 2015 DESIGN STANDARDS	CLOSED FLUME INLET	INDEX NO. 216	SHEET NO. 3 of 3
---------------------------	----------	--------------	--	--------------------	------------------	---------------------